

US00D699672S

(12) **United States Design Patent**
Kosugi et al.

(10) **Patent No.:** **US D699,672 S**
(45) **Date of Patent:** **** Feb. 18, 2014**

(54) **RECHARGEABLE BATTERY**

(71) Applicant: **Hitachi Koki Co., Ltd.**, Tokyo (JP)

(72) Inventors: **Shingo Kosugi**, Hitachinaka (JP);
Masanori Okada, Hitachinaka (JP);
Yuji Kishima, Hitachinaka (JP); **Jun Enta**, Hitachinaka (JP)

(73) Assignee: **Hitachi Koki Co., Ltd.** (JP)

(**) Term: **14 Years**

(21) Appl. No.: **29/459,350**

(22) Filed: **Jun. 28, 2013**

(30) **Foreign Application Priority Data**

Dec. 28, 2012 (JP) 2012-032060

(51) **LOC (10) Cl.** **13-02**

(52) **U.S. Cl.**
USPC **D13/103**

(58) **Field of Classification Search**
USPC D13/102-104, 110, 118-121, 184, 199;
429/96-100, 163, 176

See application file for complete search history.

(56) **References Cited**

U.S. PATENT DOCUMENTS

D323,642 S *	2/1992	Liao	D13/119
D352,698 S *	11/1994	Okumura	D13/103
D387,329 S *	12/1997	Jung et al.	D13/119
D528,975 S *	9/2006	Chi et al.	D13/103
D547,264 S *	7/2007	Kondo	D13/103
D597,482 S *	8/2009	Kondo et al.	D13/103
D682,195 S *	5/2013	Aglassinger	D13/103

* cited by examiner

Primary Examiner — Rosemary K Tarca

(74) *Attorney, Agent, or Firm* — Banner & Witcoff, Ltd.

(57) **CLAIM**

The ornamental design for a rechargeable battery, as shown and described.

DESCRIPTION

FIG. 1 is a top, front perspective view of the rechargeable battery showing our new design;
FIG. 2 is a bottom, rear perspective view thereof;
FIG. 3 is a front view thereof;
FIG. 4 is a rear view thereof;
FIG. 5 is a left side view thereof;
FIG. 6 is a right side view thereof;
FIG. 7 is a top plan view thereof; and,
FIG. 8 is a bottom view thereof.

1 Claim, 7 Drawing Sheets

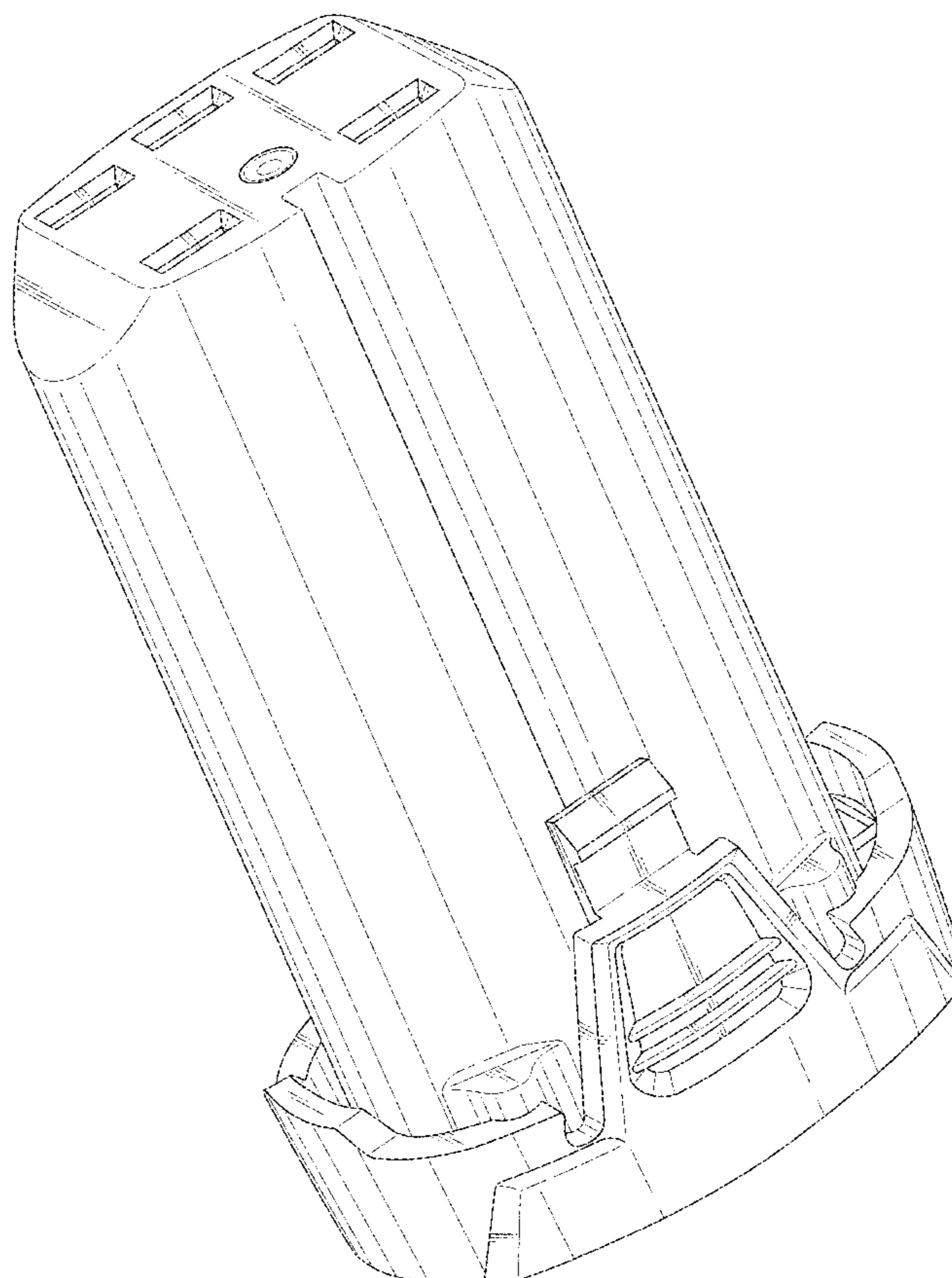


Fig. 1

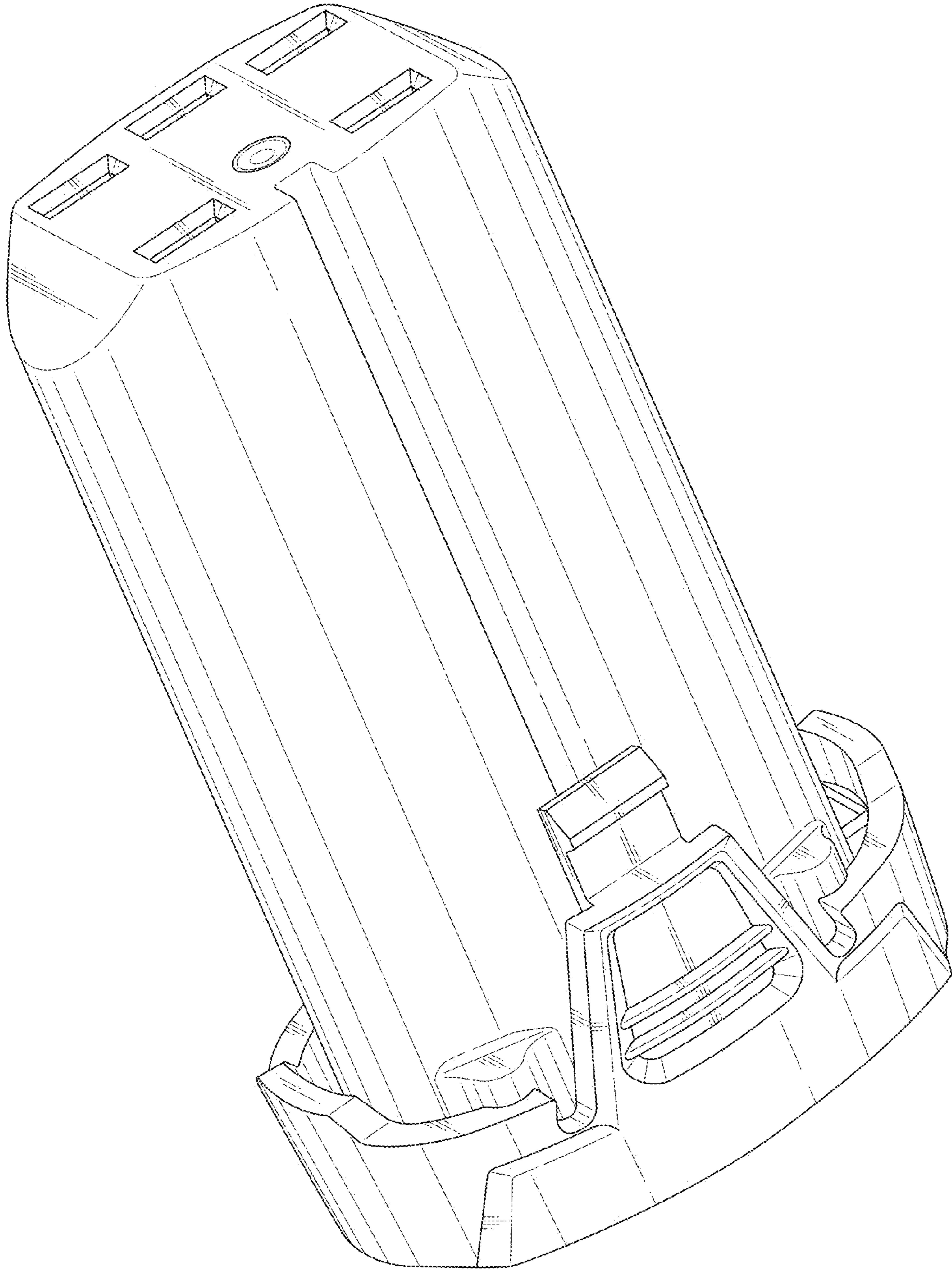


Fig. 2

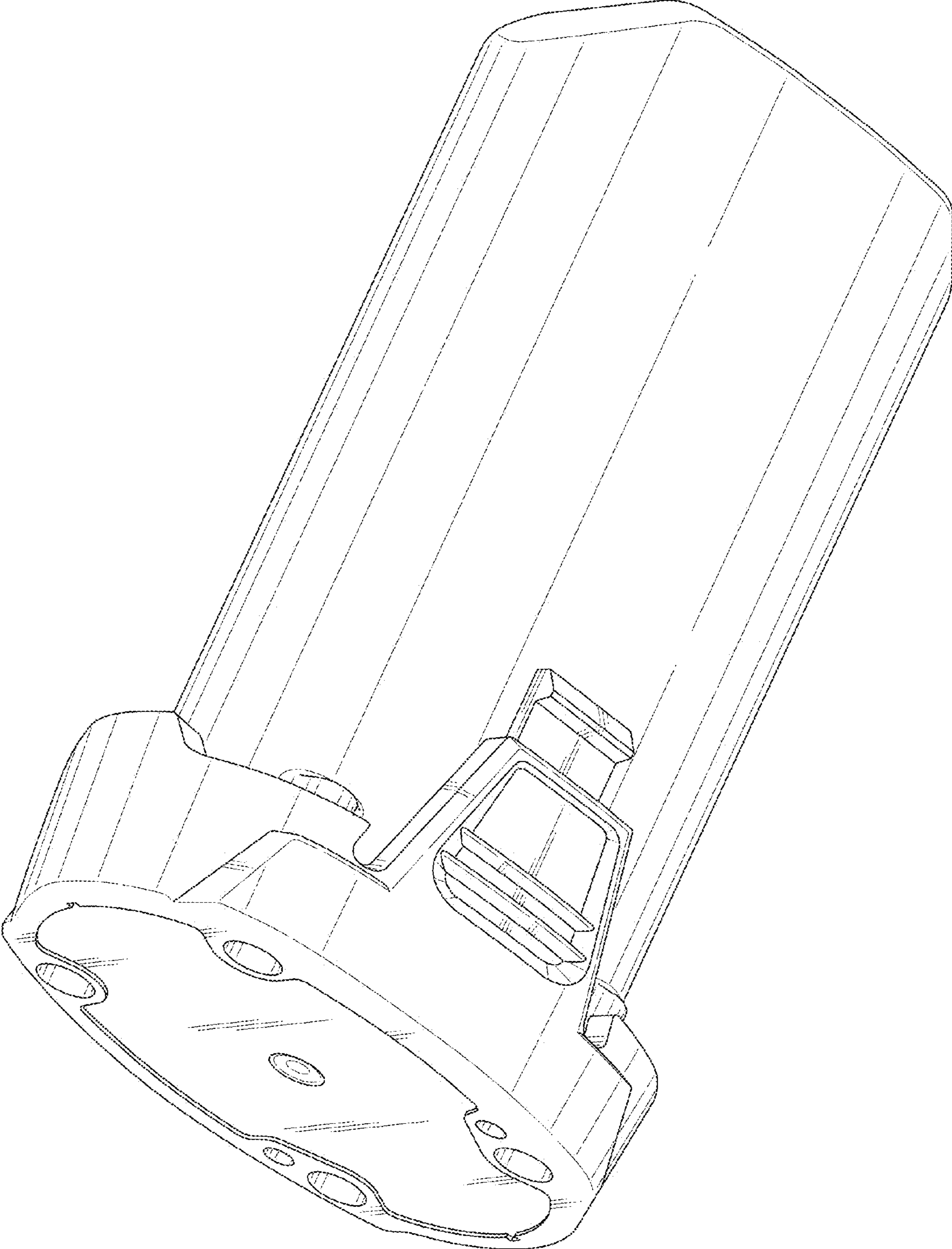


Fig. 3

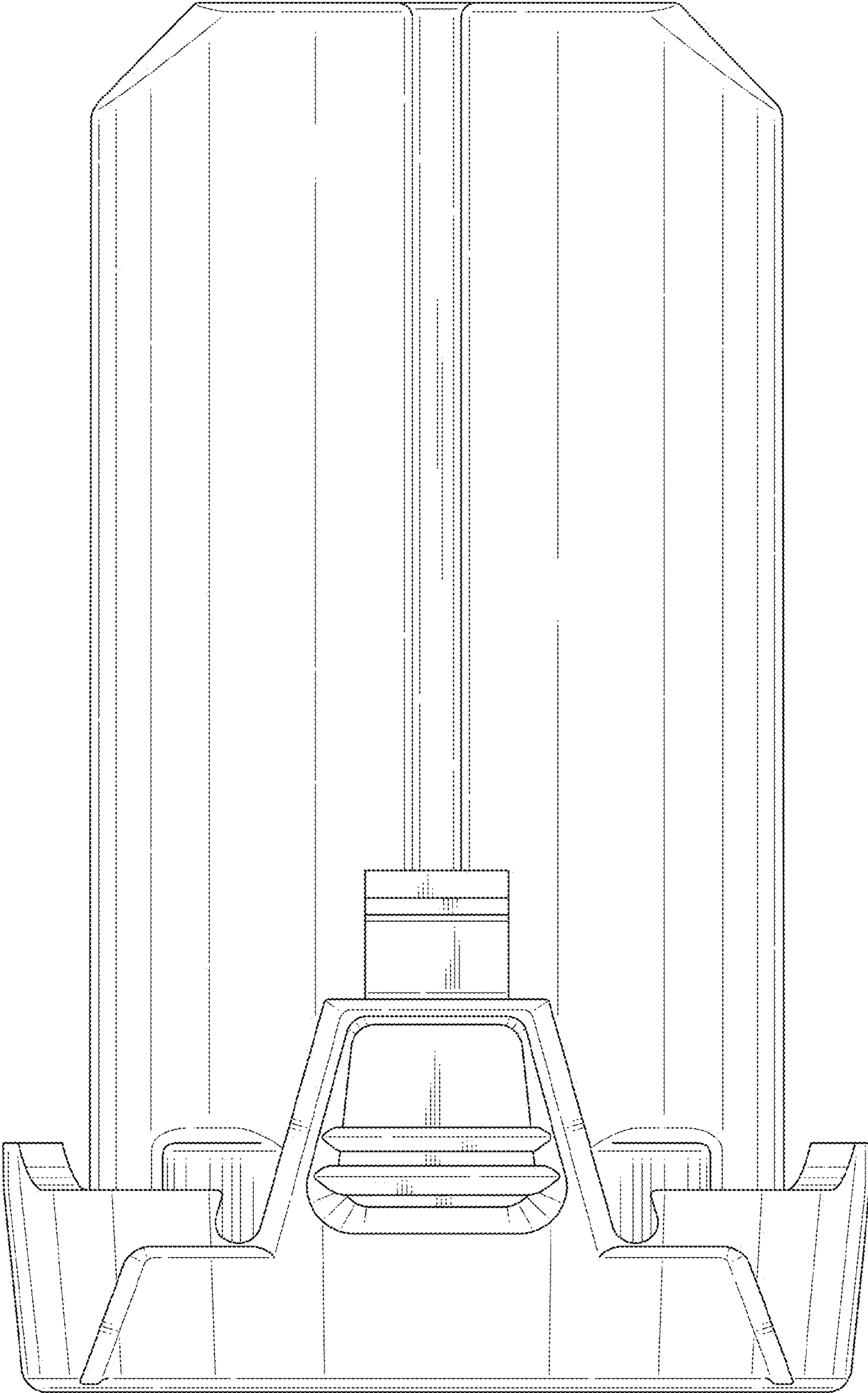


Fig. 4

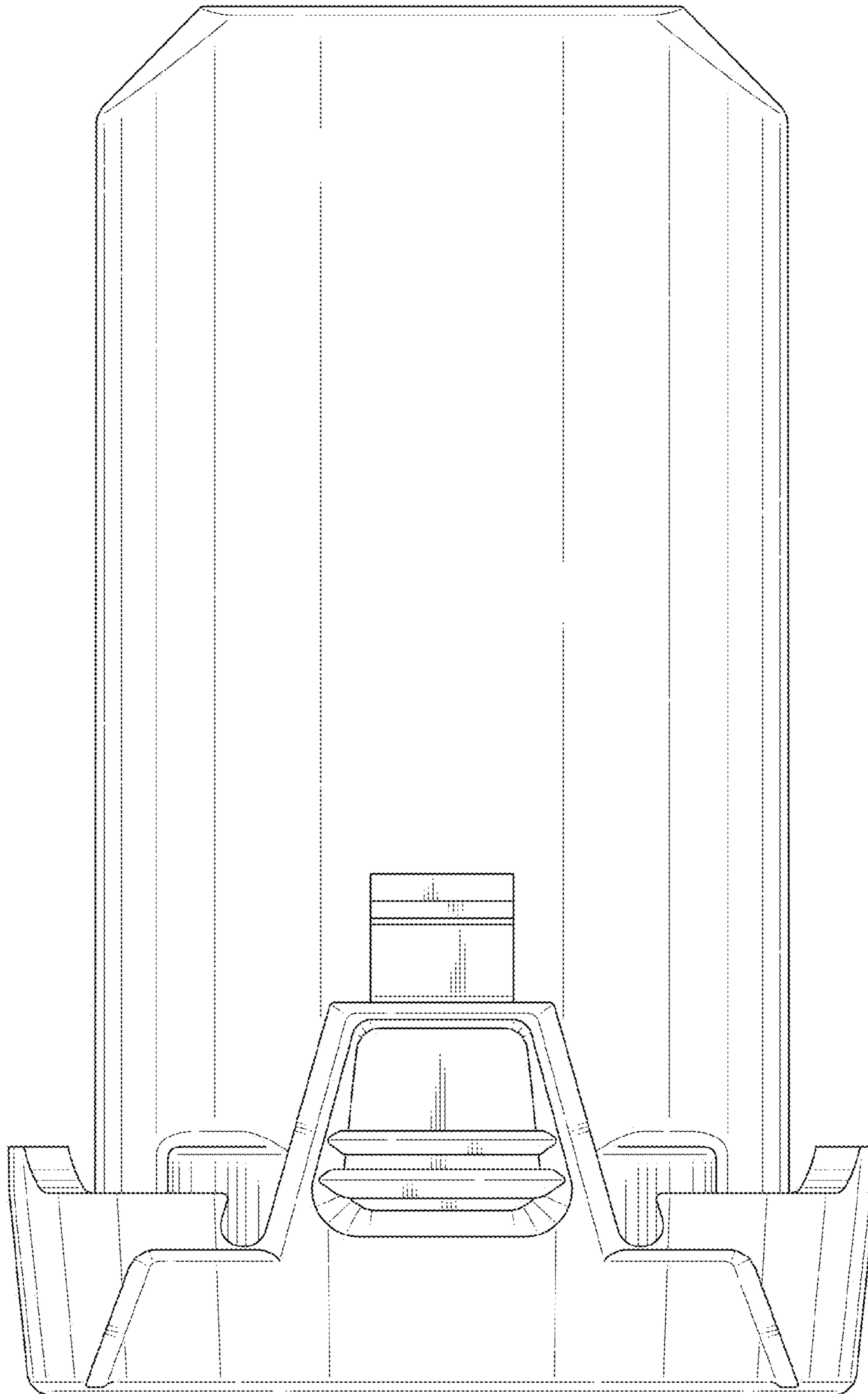


Fig. 5

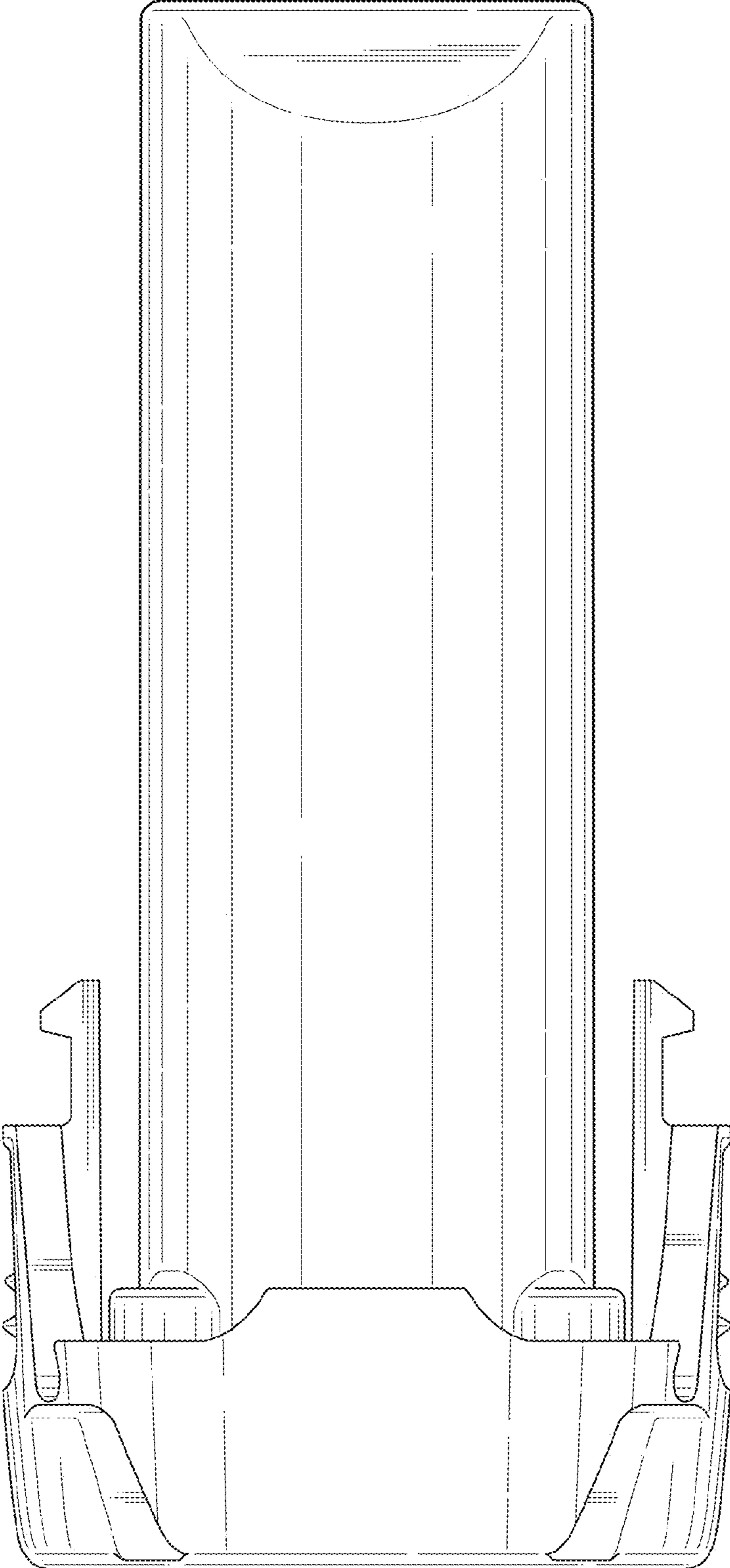


Fig. 6

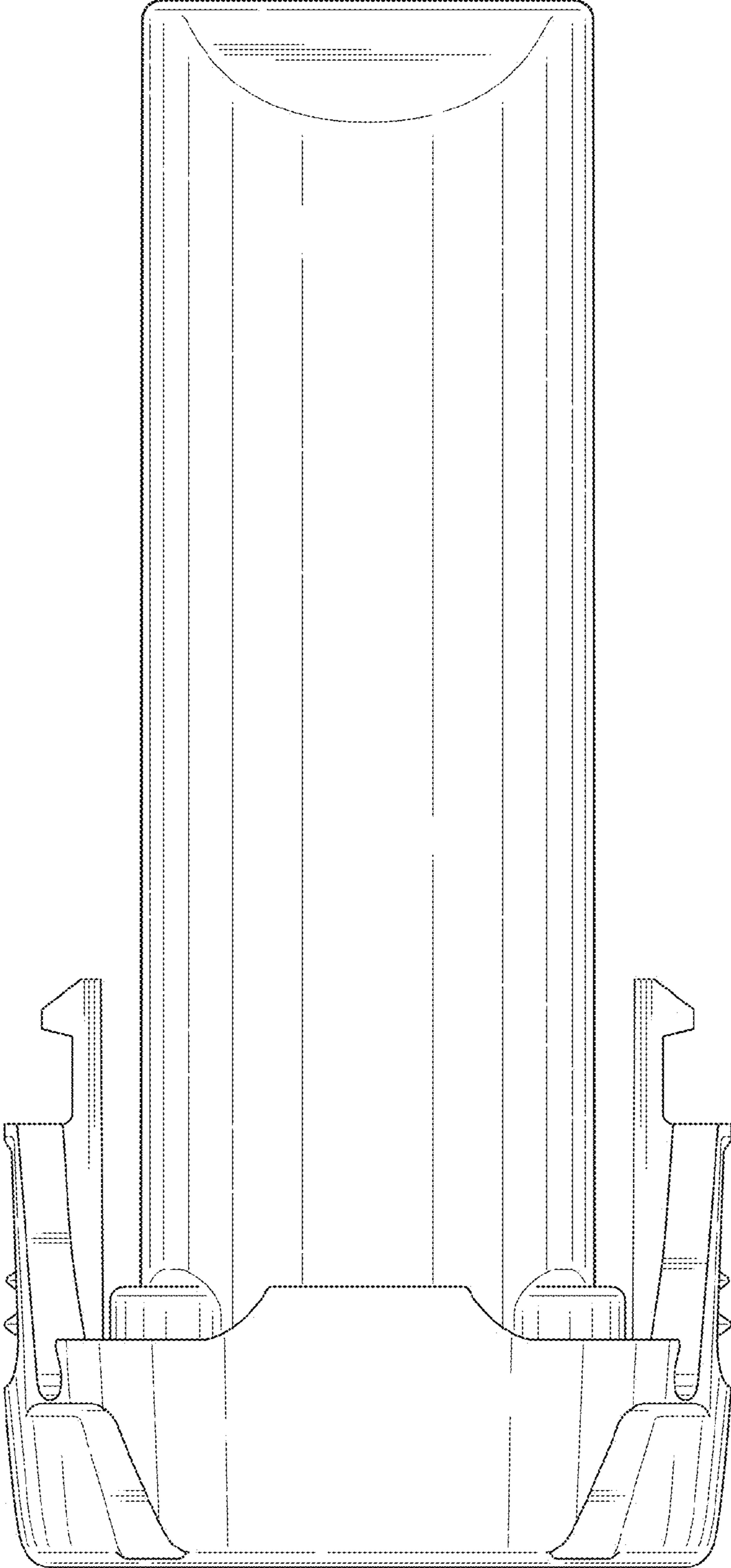


Fig. 7

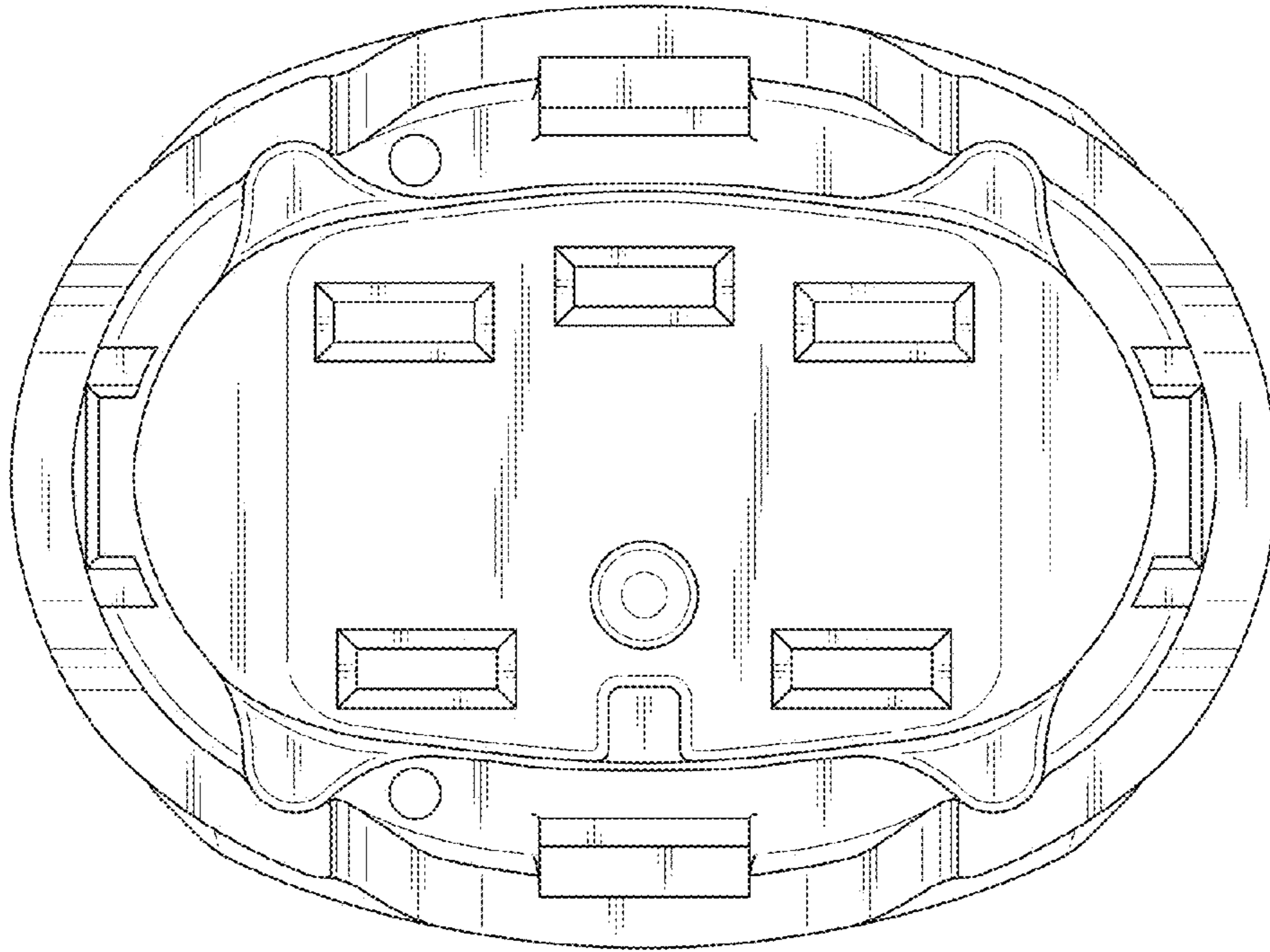


Fig. 8

