



US00D699671S

(12) **United States Design Patent**
Walz et al.

(10) **Patent No.:** **US D699,671 S**
(45) **Date of Patent:** **** Feb. 18, 2014**

- (54) **BATTERY PACK**
- (71) Applicant: **Panacis Inc.**, Ottawa (CA)
- (72) Inventors: **James Walz**, Ottawa (CA); **Steve Carkner**, Ottawa (CA); **Stephane Lebel**, St-Redempteur (CA)
- (73) Assignee: **Panacis Inc.**, Ottawa (CA)
- (**) Term: **14 Years**
- (21) Appl. No.: **29/457,811**
- (22) Filed: **Jun. 13, 2013**
- (51) **LOC (10) Cl.** **13-02**
- (52) **U.S. Cl.**
USPC **D13/103**
- (58) **Field of Classification Search**
USPC D13/102-104, 110, 118-121, 184, 199;
429/96-100, 163, 176
See application file for complete search history.

- D568,240 S * 5/2008 Haydvogel D13/103
- D580,349 S * 11/2008 Haydvogel D13/103
- D583,756 S * 12/2008 Walsh et al. D13/103
- D637,552 S * 5/2011 Inman et al. D13/103
- D640,629 S * 6/2011 Levitt D13/103
- D642,120 S * 7/2011 Kretschmer D13/103
- D680,950 S * 4/2013 Nam et al. D13/103

* cited by examiner

Primary Examiner — Rosemary K Tarcza

(74) *Attorney, Agent, or Firm* — Timothy D. Bennett;
Emerson Thomson Bennett

(57) **CLAIM**

The ornamental design for a battery pack, as shown and described.

DESCRIPTION

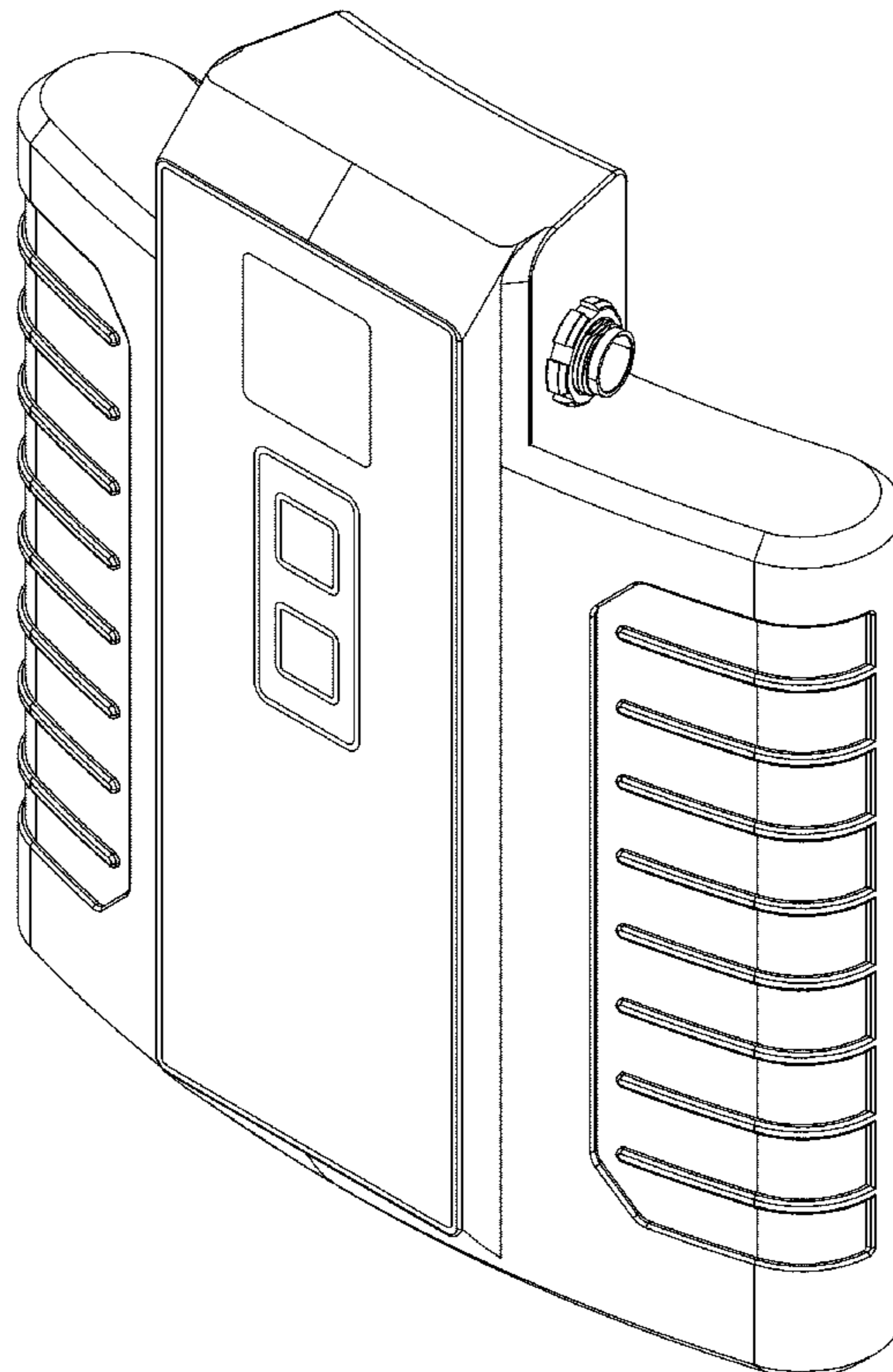
FIG. 1 is an isometric view of a battery pack.
 FIG. 2 is a front elevation view of a battery pack.
 FIG. 3 is a left side elevation view of a battery pack.
 FIG. 4 is a rear elevation view of a battery pack.
 FIG. 5 is a right side elevation view of a battery pack.
 FIG. 6 is top view of a battery pack; and,
 FIG. 7 is a bottom view of a battery pack.

1 Claim, 6 Drawing Sheets

(56) **References Cited**

U.S. PATENT DOCUMENTS

- D399,819 S * 10/1998 Iida D13/103
- D483,722 S * 12/2003 Bailey D13/119



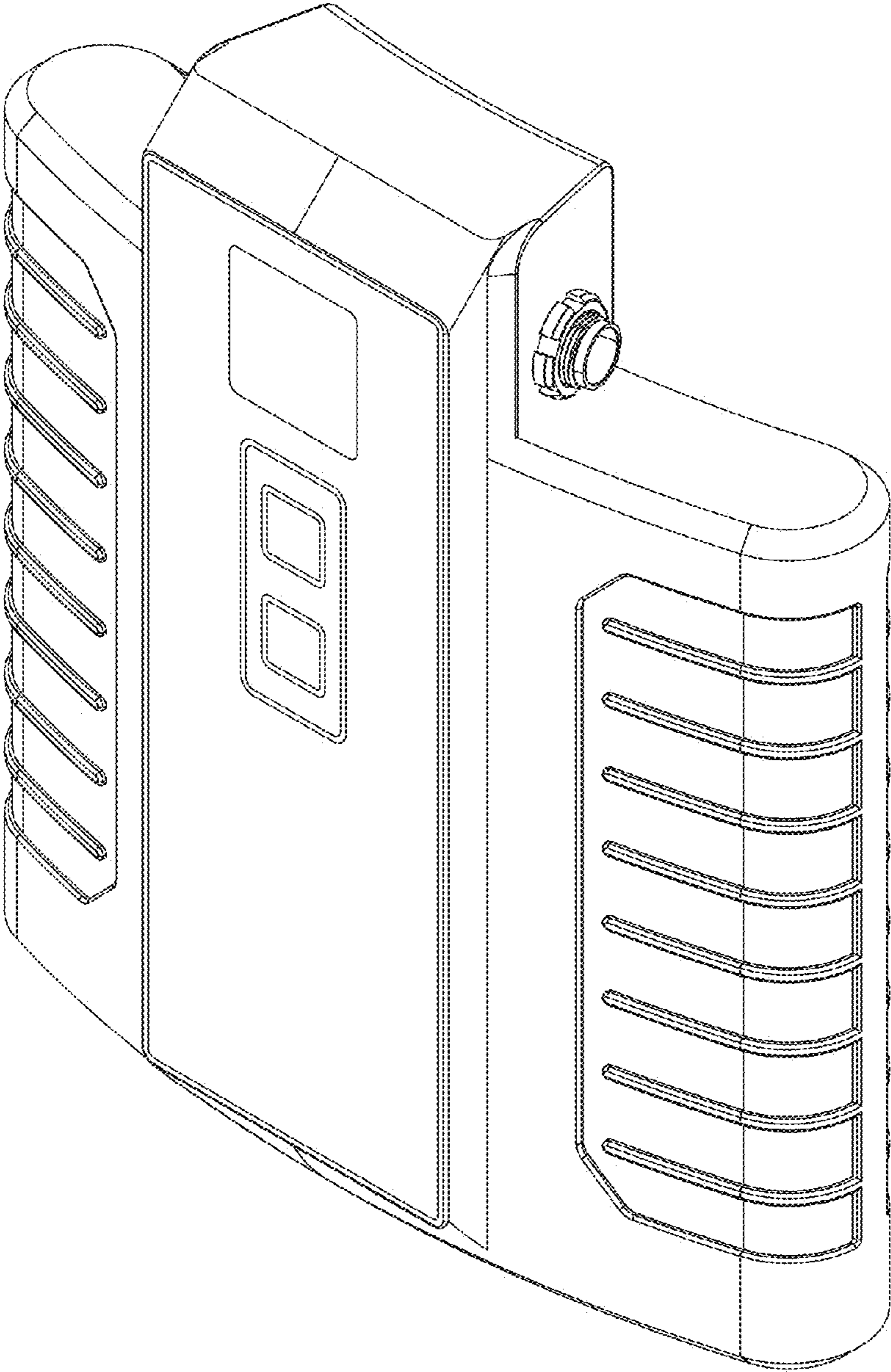


Fig. 1

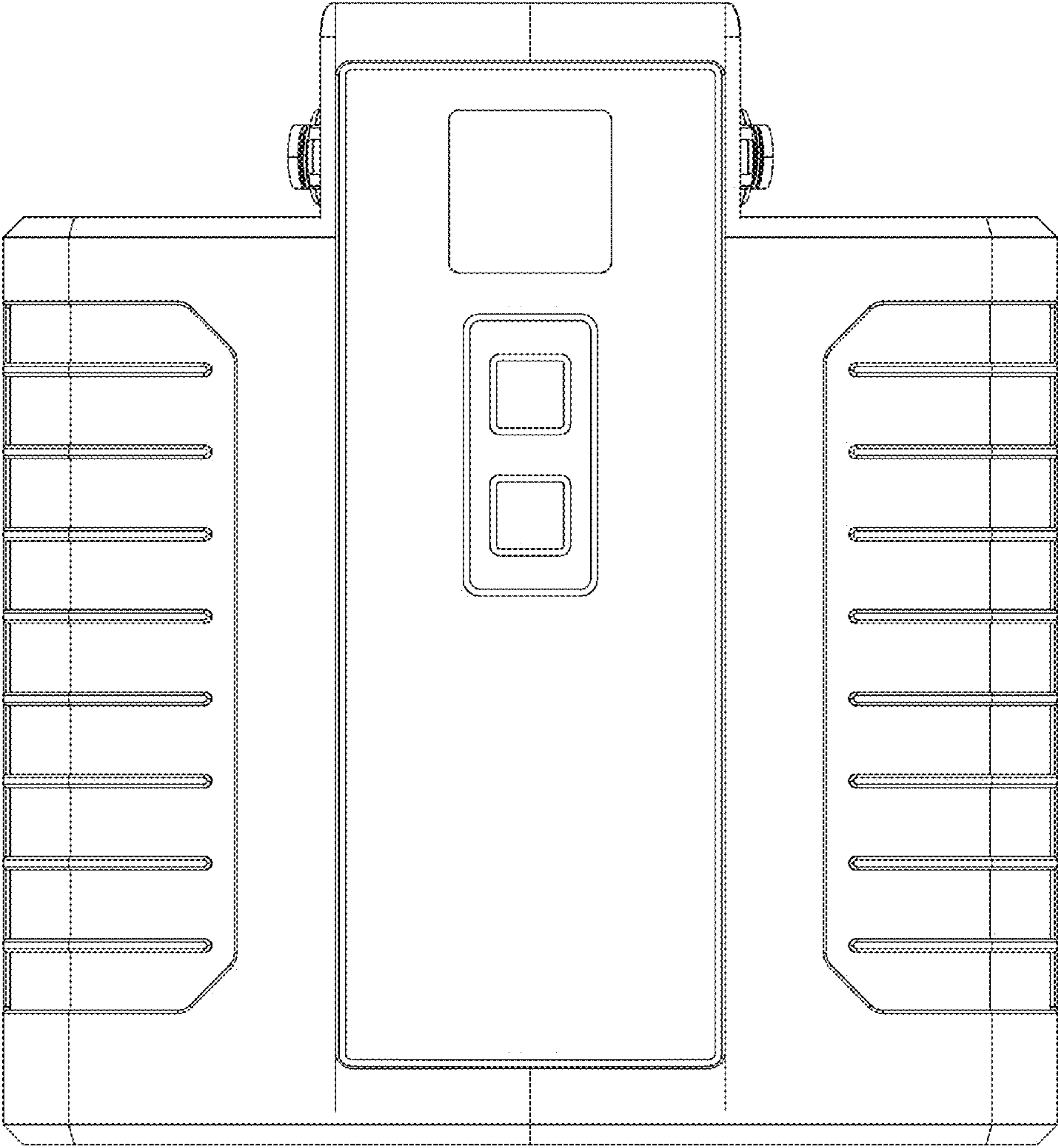


Fig. 2

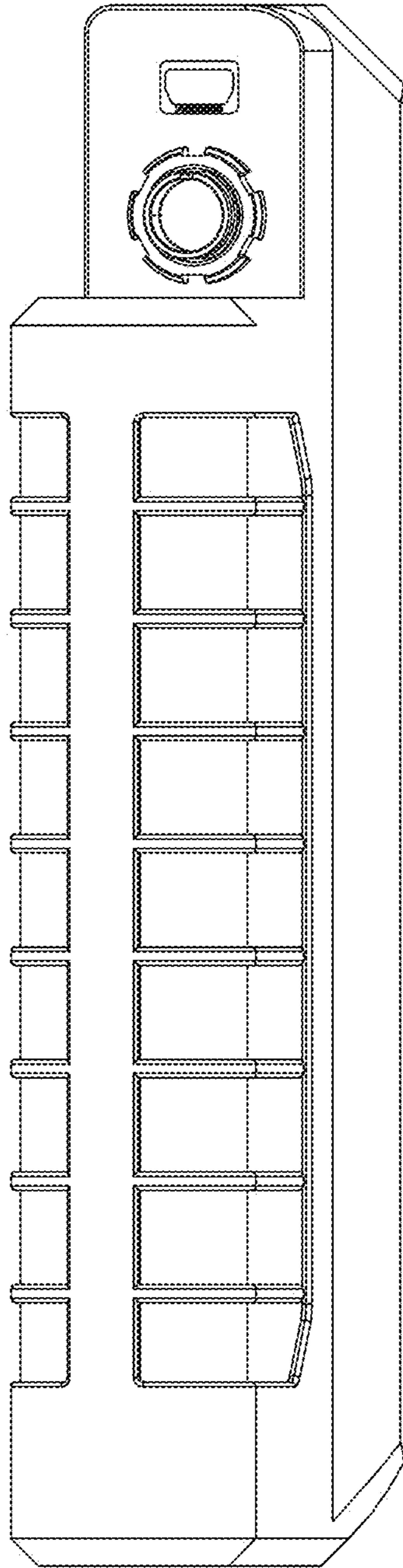


Fig. 3

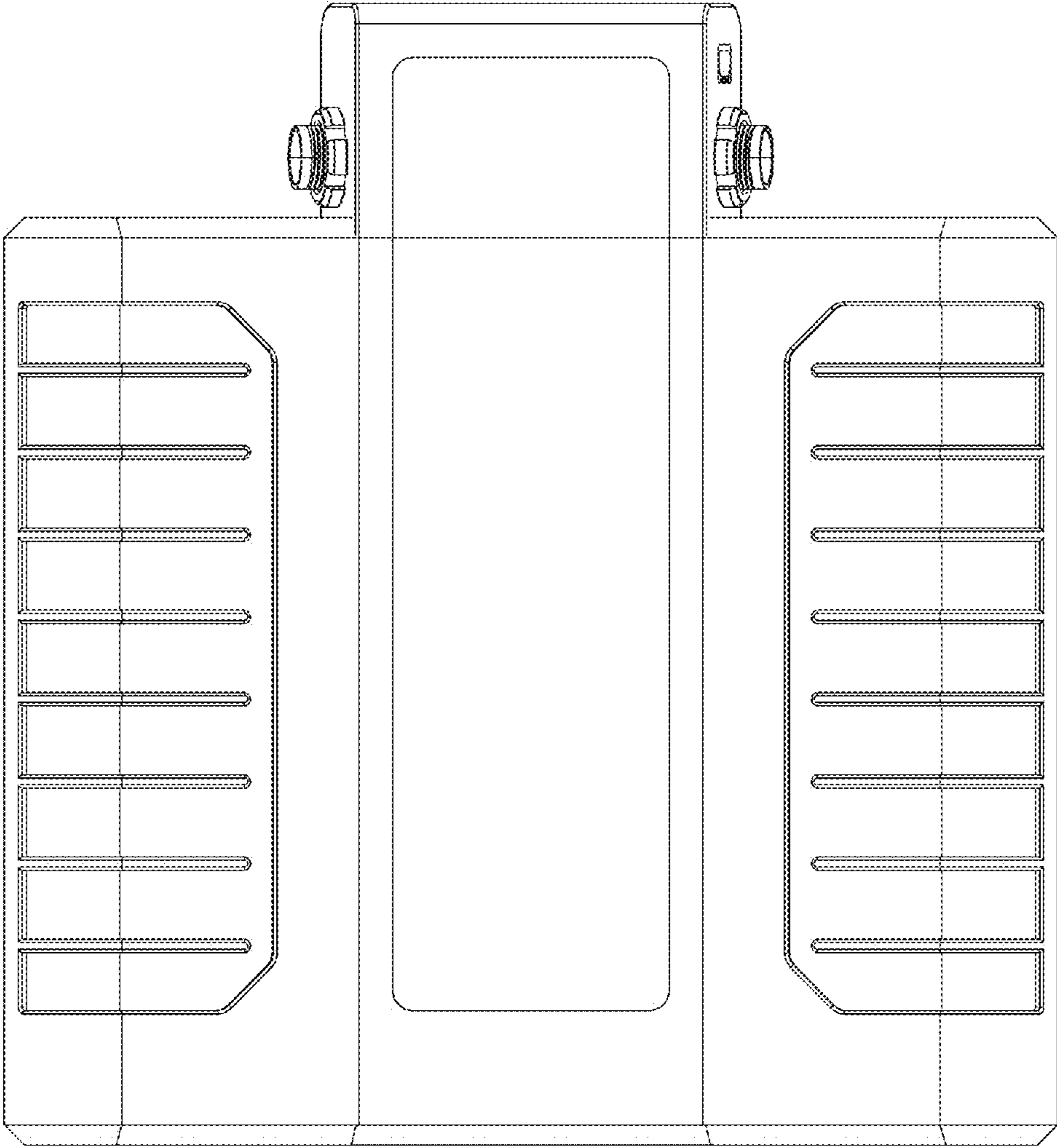


Fig. 4

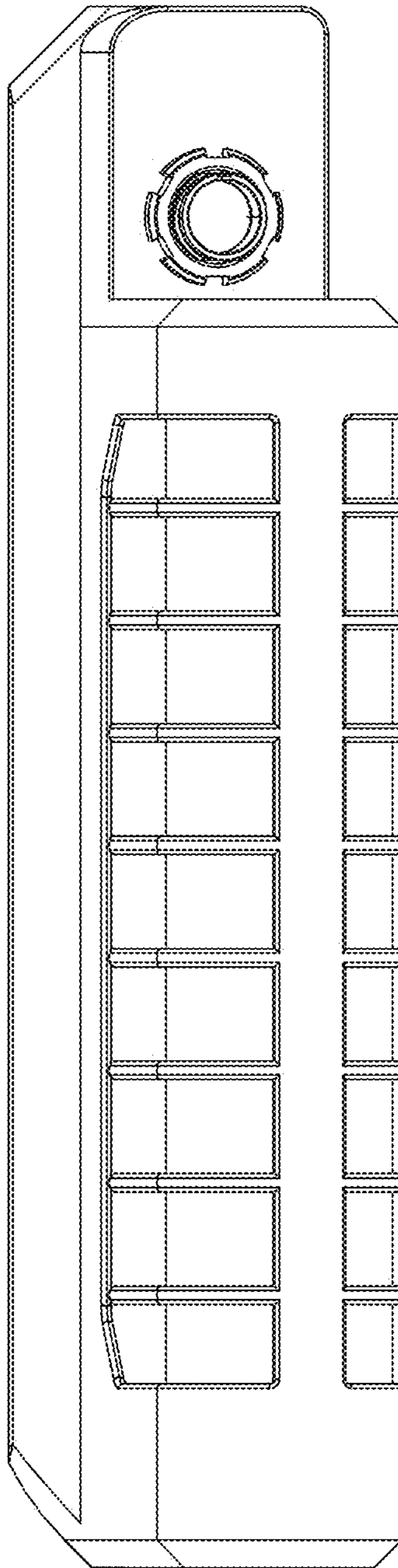


Fig. 5

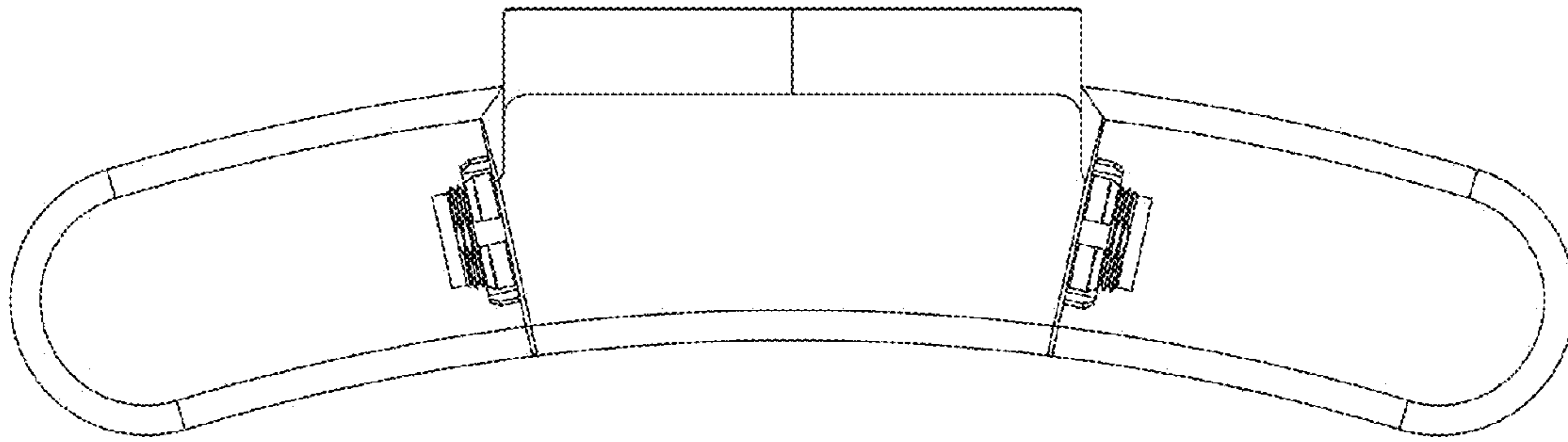


Fig. 6

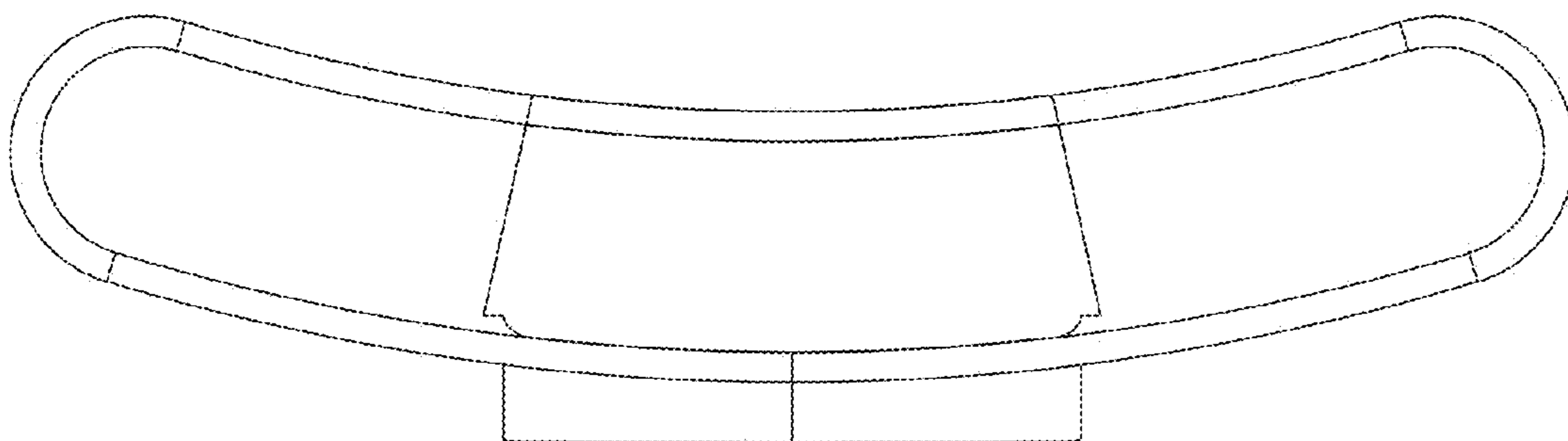


Fig. 7