



US00D699670S

(12) **United States Design Patent**
Cooper

(10) **Patent No.:** **US D699,670 S**

(45) **Date of Patent:** **** Feb. 18, 2014**

(54) **BATTERY PACK**

(71) Applicant: **Black & Decker Inc.**, Newark, DE (US)

(72) Inventor: **Joseph B. Cooper**, Baltimore, MD (US)

(73) Assignee: **Black & Decker Inc.**, Newark, DE (US)

(**) Term: **14 Years**

(21) Appl. No.: **29/457,642**

(22) Filed: **Jun. 12, 2013**

(51) **LOC (10) Cl.** **13-02**

(52) **U.S. Cl.**
USPC **D13/103**

(58) **Field of Classification Search**
USPC D13/102-104, 110, 118-121, 184, 199;
429/96-100, 163, 176
See application file for complete search history.

(56) **References Cited**

U.S. PATENT DOCUMENTS

D555,086 S *	11/2007	Zhang	D13/103
D589,439 S *	3/2009	Van Wambeke	D13/103
D589,440 S *	3/2009	Van Wambeke	D13/103
D589,441 S *	3/2009	Van Wambeke	D13/103
D598,373 S *	8/2009	Aglassinger	D13/103
D604,695 S *	11/2009	Aglassinger	D13/103

D622,661 S *	8/2010	Yamada et al.	D13/103
D640,628 S *	6/2011	Lopano et al.	D13/103
D643,809 S *	8/2011	Okuda et al.	D13/103
D658,578 S *	5/2012	Davis	D13/103
D682,194 S *	5/2013	Jiang et al.	D13/103
D684,528 S *	6/2013	Murray	D13/103
D685,730 S *	7/2013	Hamm et al.	D13/103

* cited by examiner

Primary Examiner — Rosemary K Tarcza

(74) *Attorney, Agent, or Firm* — John Yun

(57) **CLAIM**

The ornamental design for a battery pack, as shown and described.

DESCRIPTION

FIG. 1 is a perspective view of a battery pack showing my new design;

FIG. 2 is a front view thereof

FIG. 3 is a rear view thereof;

FIG. 4 is a right side view thereof;

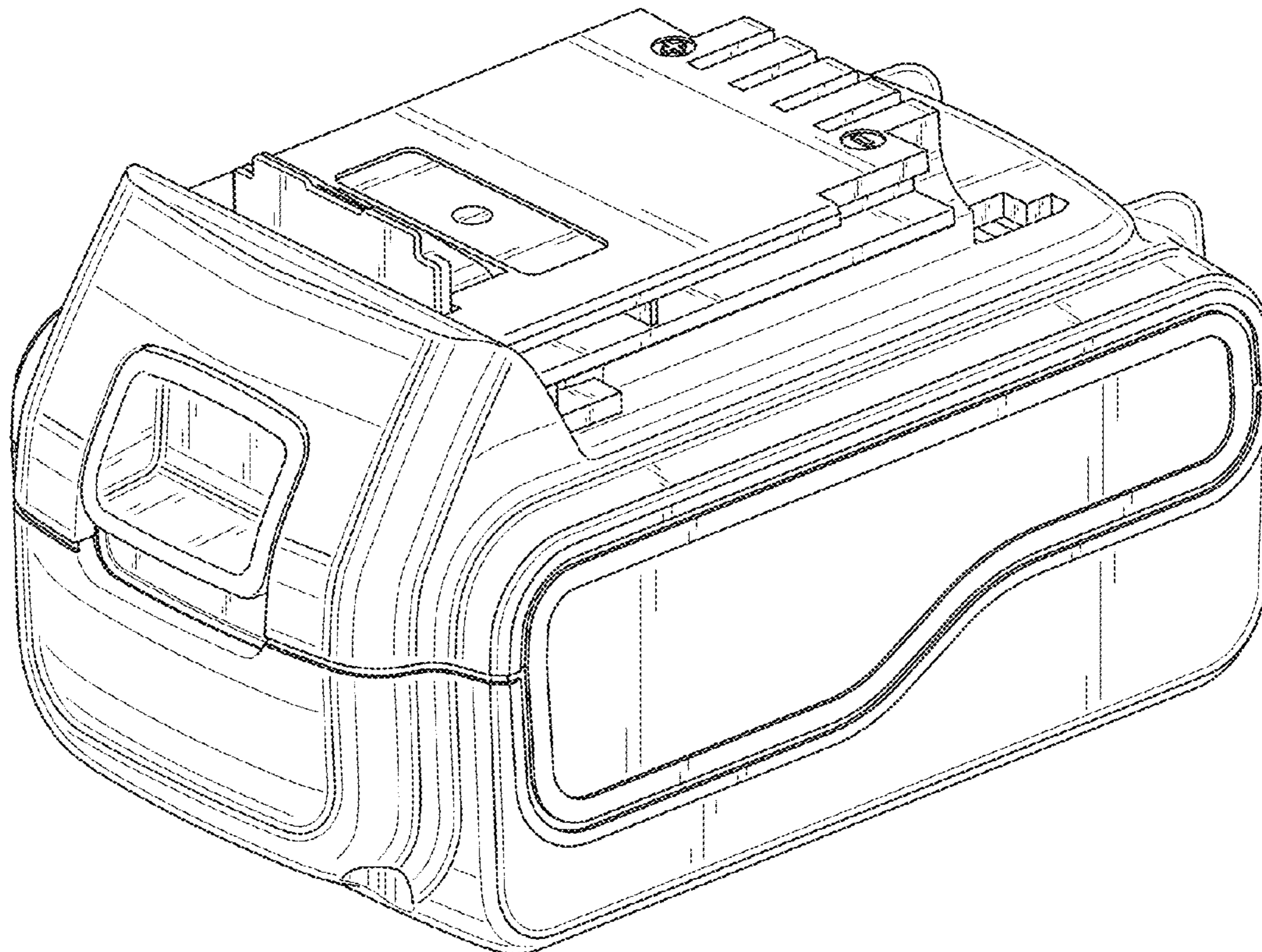
FIG. 5 is a left side view thereof;

FIG. 6 is a top plan view thereof; and,

FIG. 7 is a bottom plan view thereof.

The broken lines shown in the drawings are included for the purpose of illustrating environmental structure and form no part of the claimed design.

1 Claim, 7 Drawing Sheets



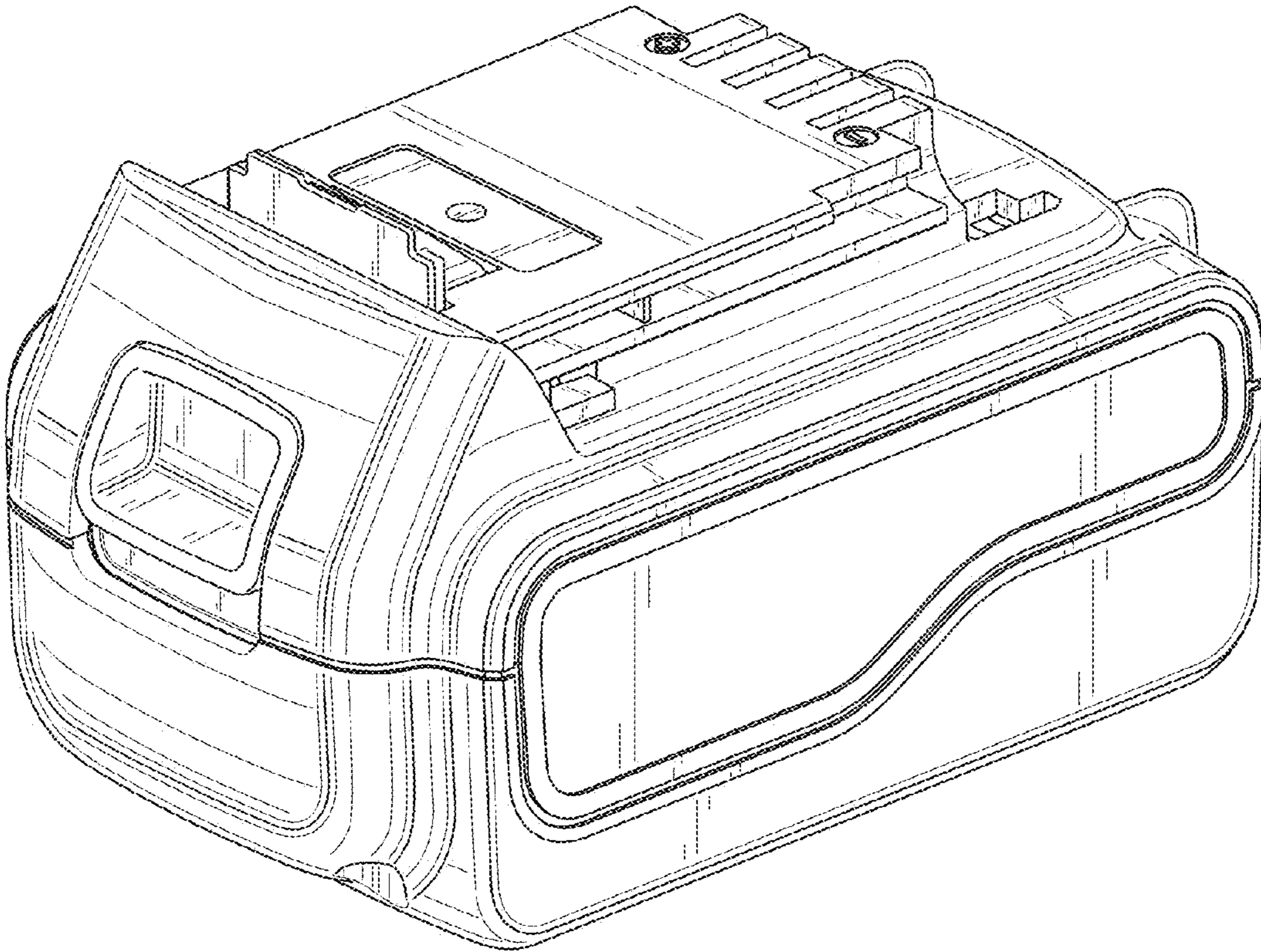


FIG. 1

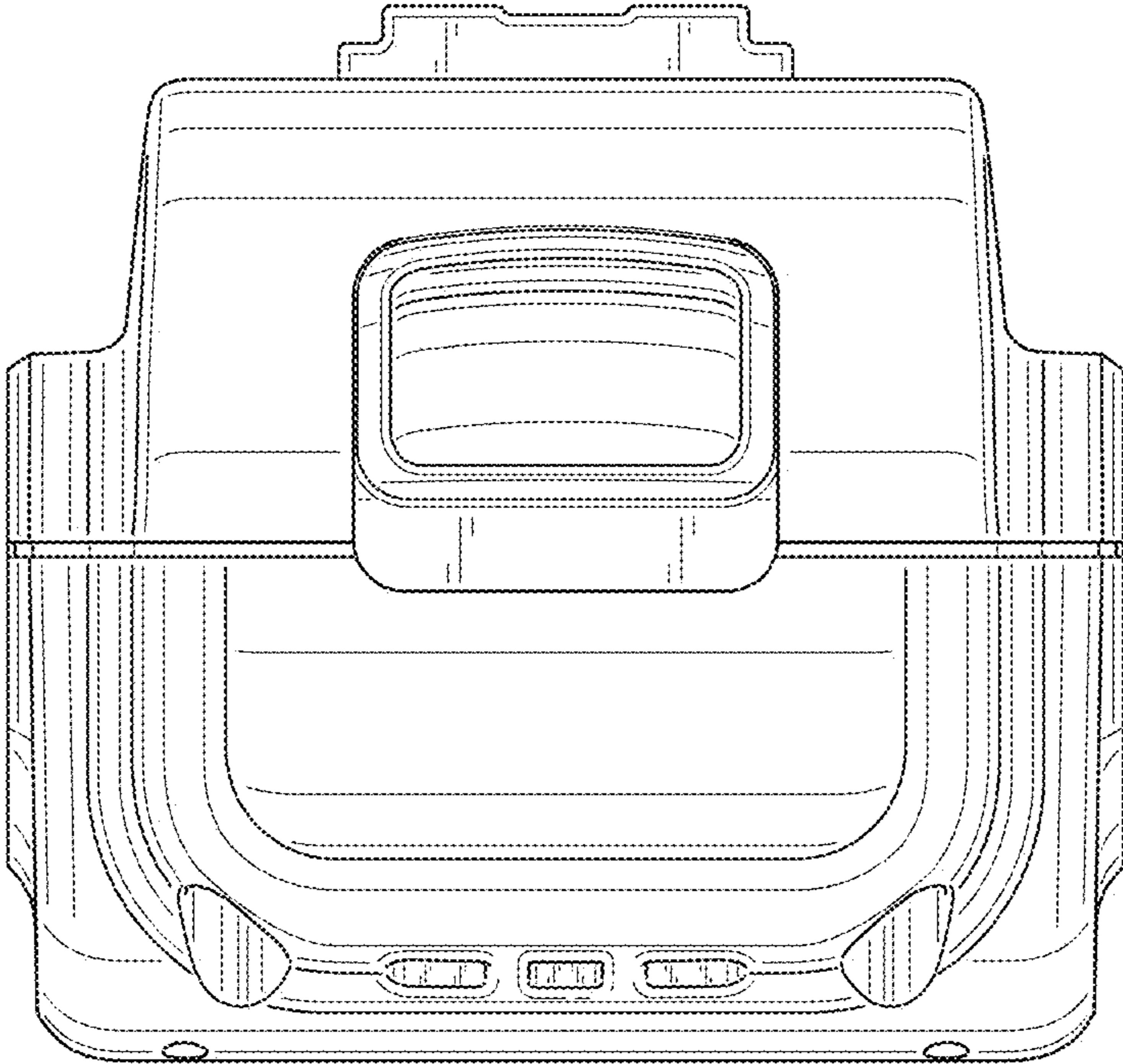


FIG. 2

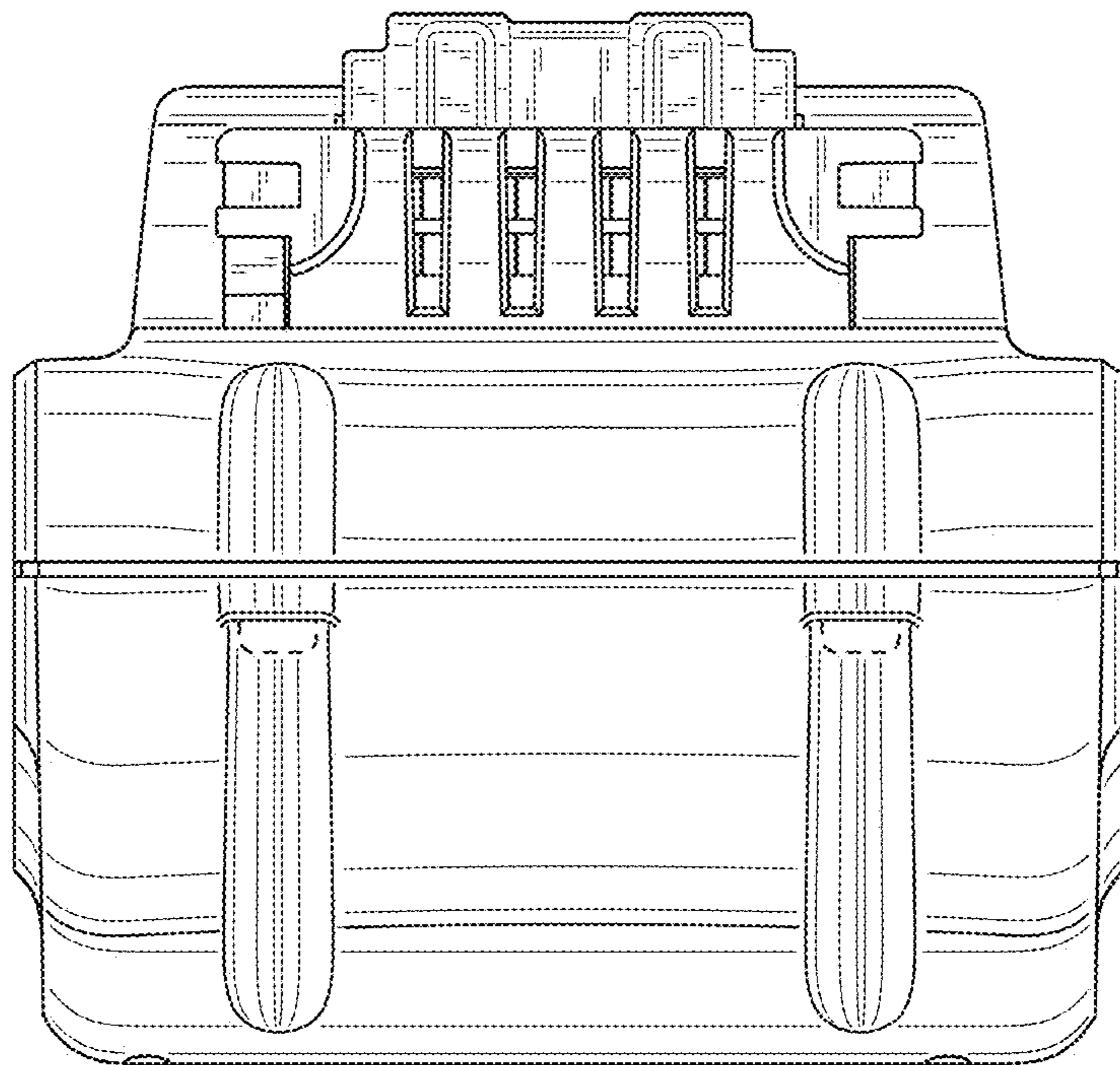


FIG. 3

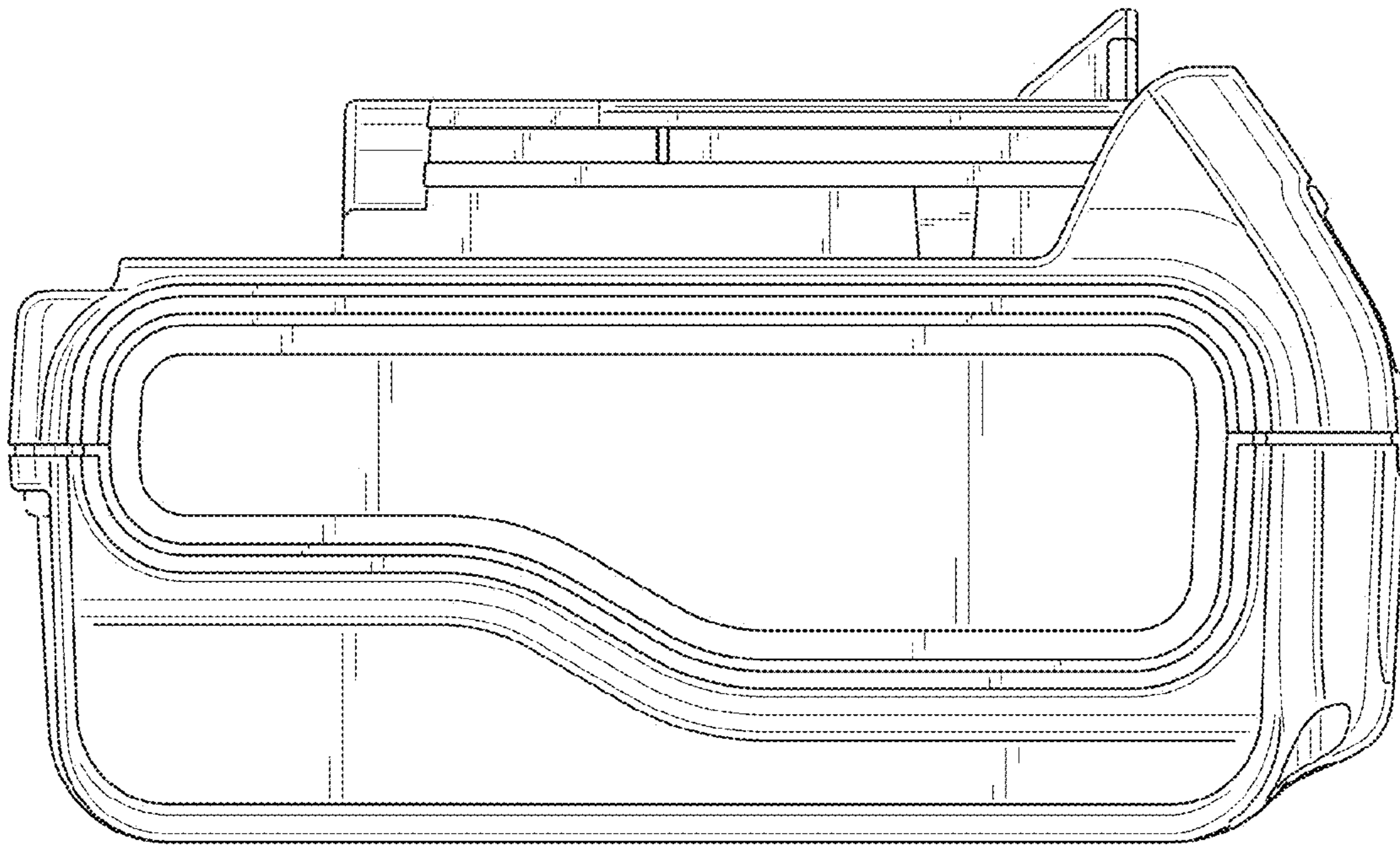


FIG. 4

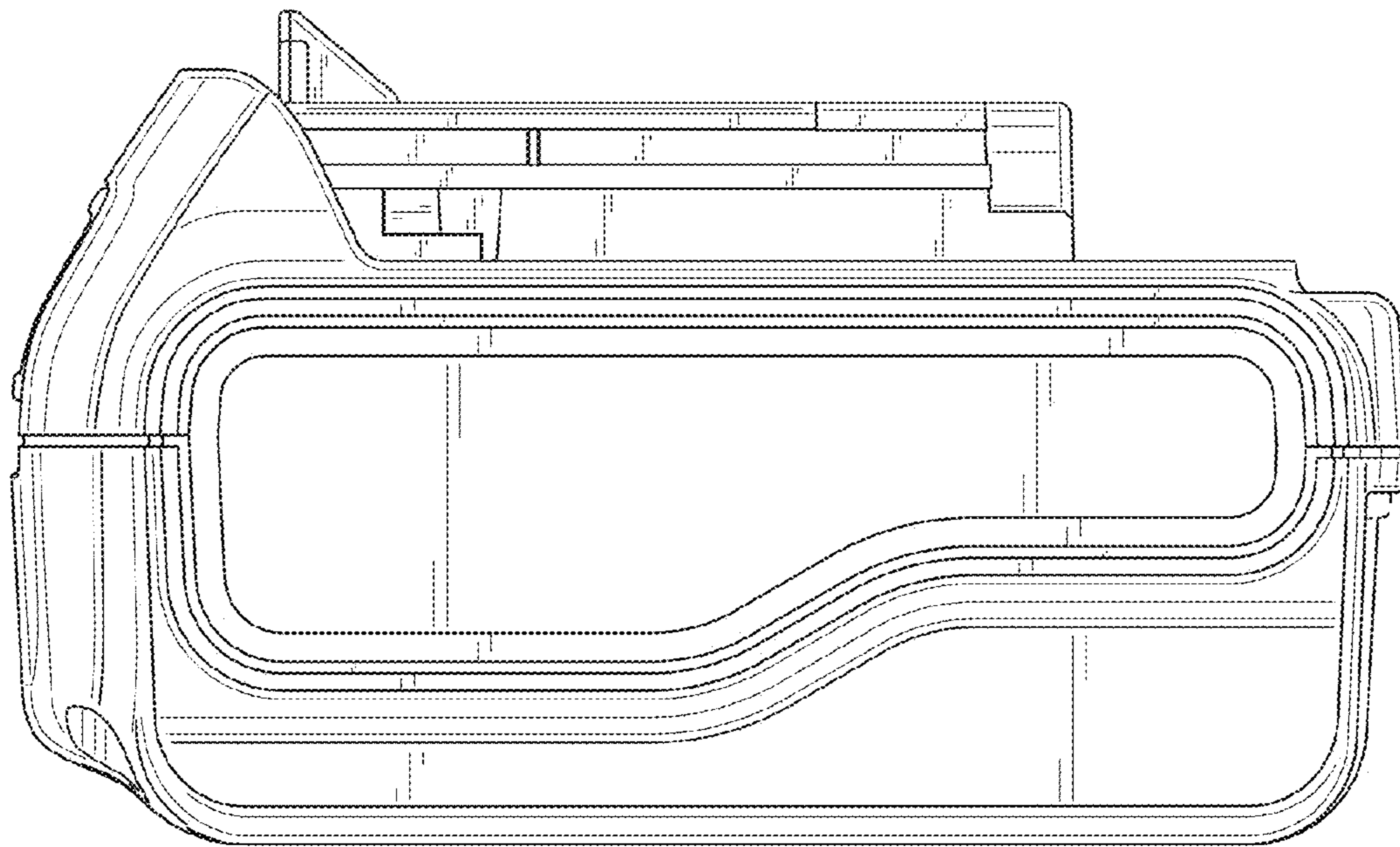


FIG. 5

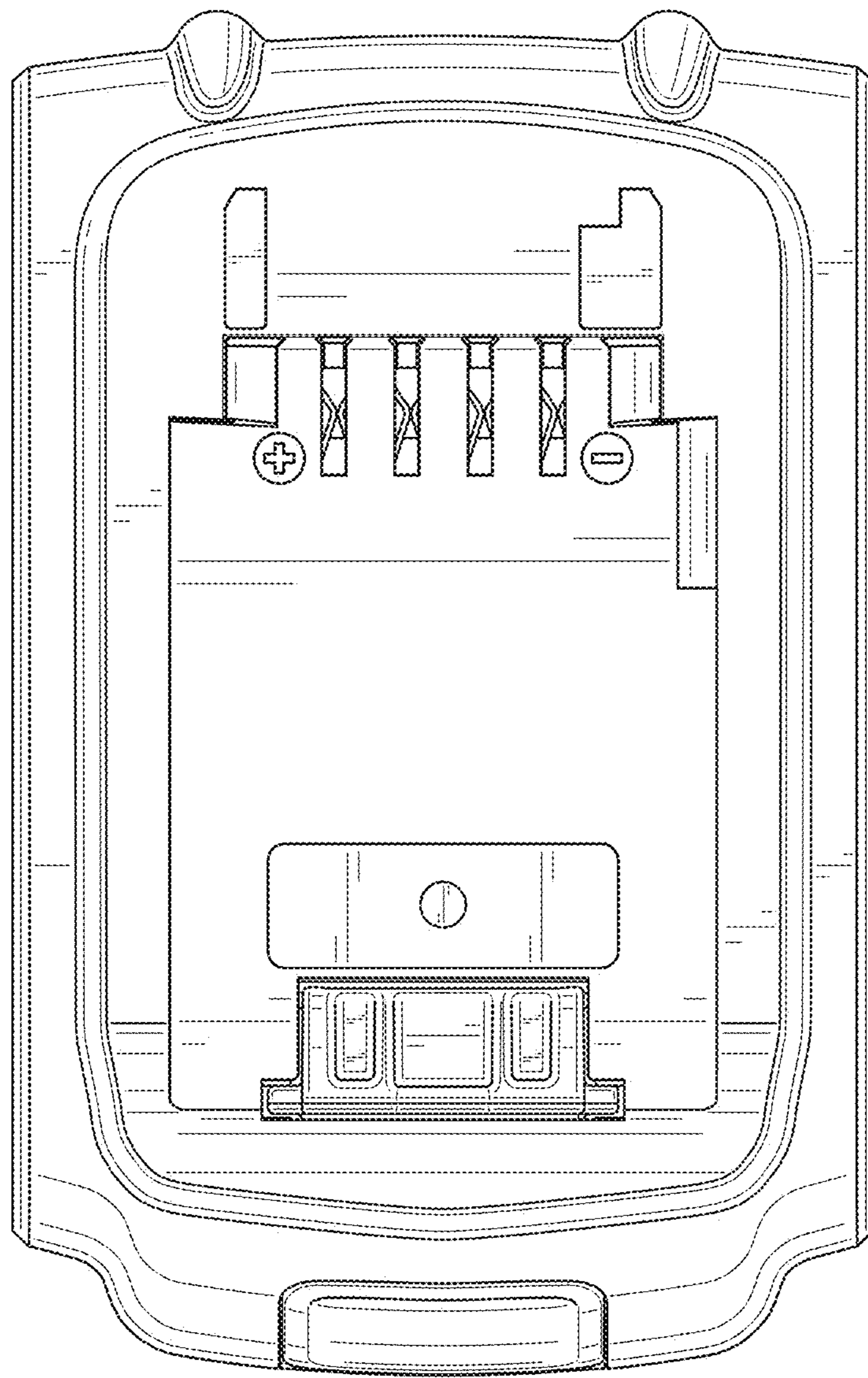


FIG. 6

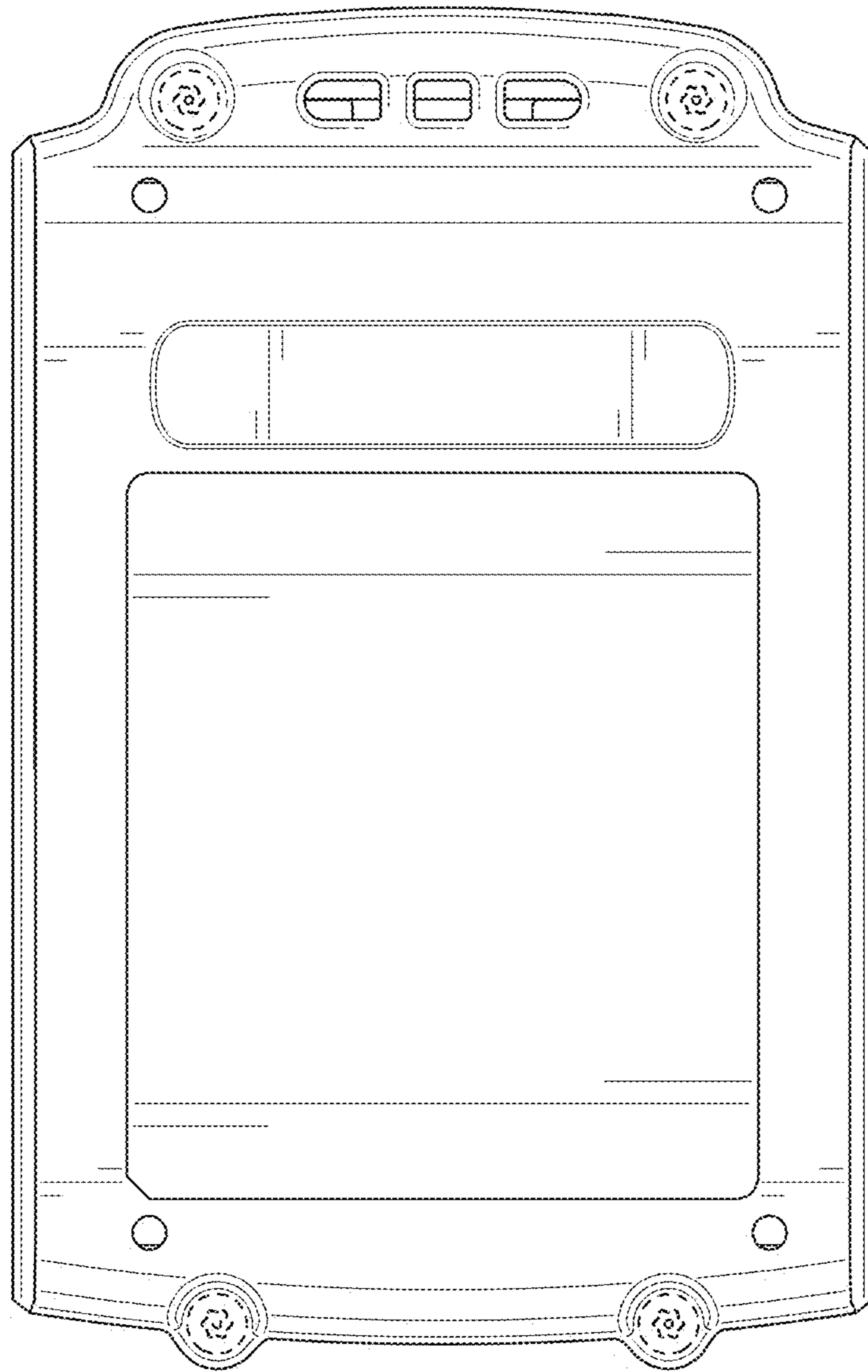


FIG. 7