

US00D699669S

(12) **United States Design Patent**  
**Kasaba et al.**

(10) **Patent No.:** **US D699,669 S**  
(45) **Date of Patent:** **\*\* Feb. 18, 2014**

(54) **REPLACEABLE BATTERY MODULE**

(71) Applicants: **Michael E. Kasaba**, Camarillo, CA (US); **Brian Huff**, Newbury Park, CA (US); **Russell Davis**, Thousand Oaks, CA (US)

(72) Inventors: **Michael E. Kasaba**, Camarillo, CA (US); **Brian Huff**, Newbury Park, CA (US); **Russell Davis**, Thousand Oaks, CA (US)

(73) Assignee: **Artisan Vehicle Systems, Inc.**, Camarillo, CA (US)

(\*\*) Term: **14 Years**

(21) Appl. No.: **29/442,970**

(22) Filed: **Jun. 20, 2013**

(51) **LOC (10) Cl.** ..... **13-02**

(52) **U.S. Cl.**  
USPC ..... **D13/103**

(58) **Field of Classification Search**  
USPC ..... D13/102-104, 110, 118-121, 184, 199;  
429/96-100, 163, 176

See application file for complete search history.

(56) **References Cited**

U.S. PATENT DOCUMENTS

D341,124	S	*	11/1993	Krokaugger	.....	D13/123
D360,877	S	*	8/1995	Ropponen et al.	.....	D13/184
D463,383	S	*	9/2002	Hwang	.....	D13/184
D558,141	S	*	12/2007	Kwon	.....	D13/110
D559,777	S	*	1/2008	Hu et al.	.....	D13/110
D615,489	S	*	5/2010	Masuda et al.	.....	D13/103
D635,509	S	*	4/2011	Mack et al.	.....	D13/104
D657,739	S	*	4/2012	Miyawaki et al.	.....	D13/104
D658,579	S	*	5/2012	Miyawaki et al.	.....	D13/104

\* cited by examiner

*Primary Examiner* — Rosemary K Tarca

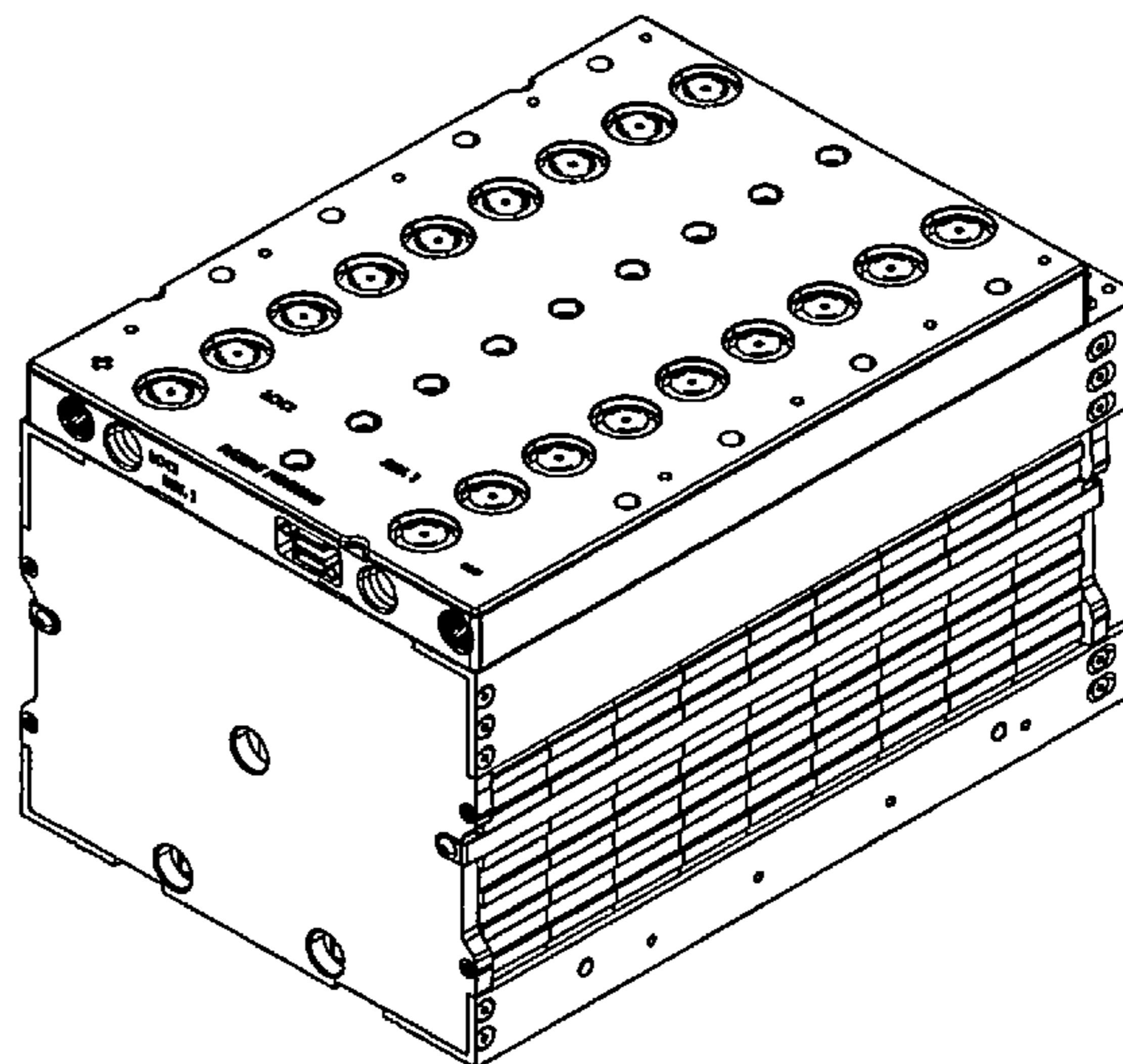
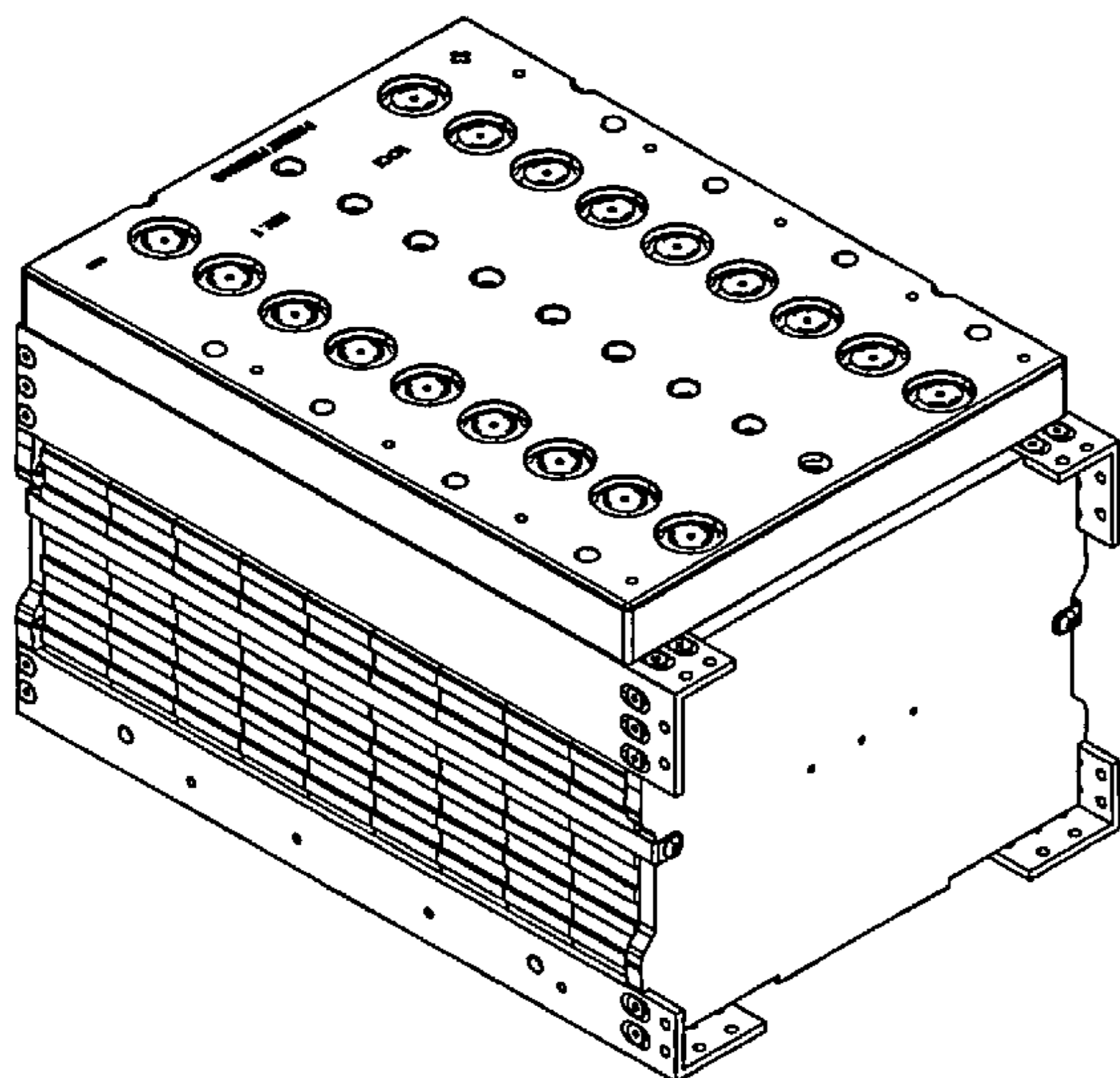
(57) **CLAIM**

The ornamental design for a replaceable battery module, as shown.

**DESCRIPTION**

FIG. 1 is a three dimensional rear view of the battery showing my new design;  
FIG. 2 is a three dimensional front view thereof;  
FIG. 3 is a top view thereof;  
FIG. 4 is front view thereof;  
FIG. 5 is a side view thereof; and  
FIG. 6 is a rear view thereof; and,  
FIG. 7 is a bottom view thereof.

**1 Claim, 2 Drawing Sheets**



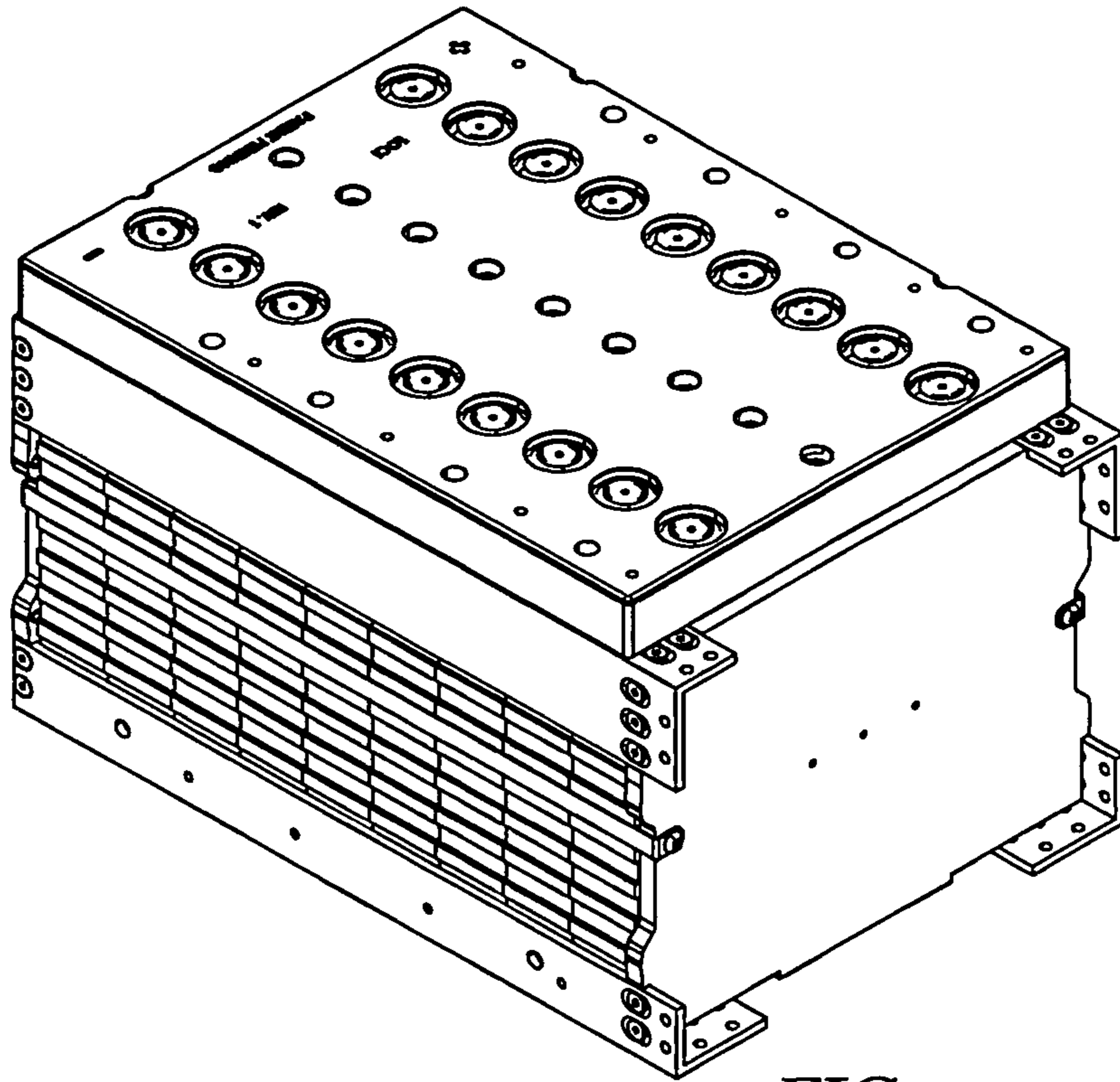


FIG. 1

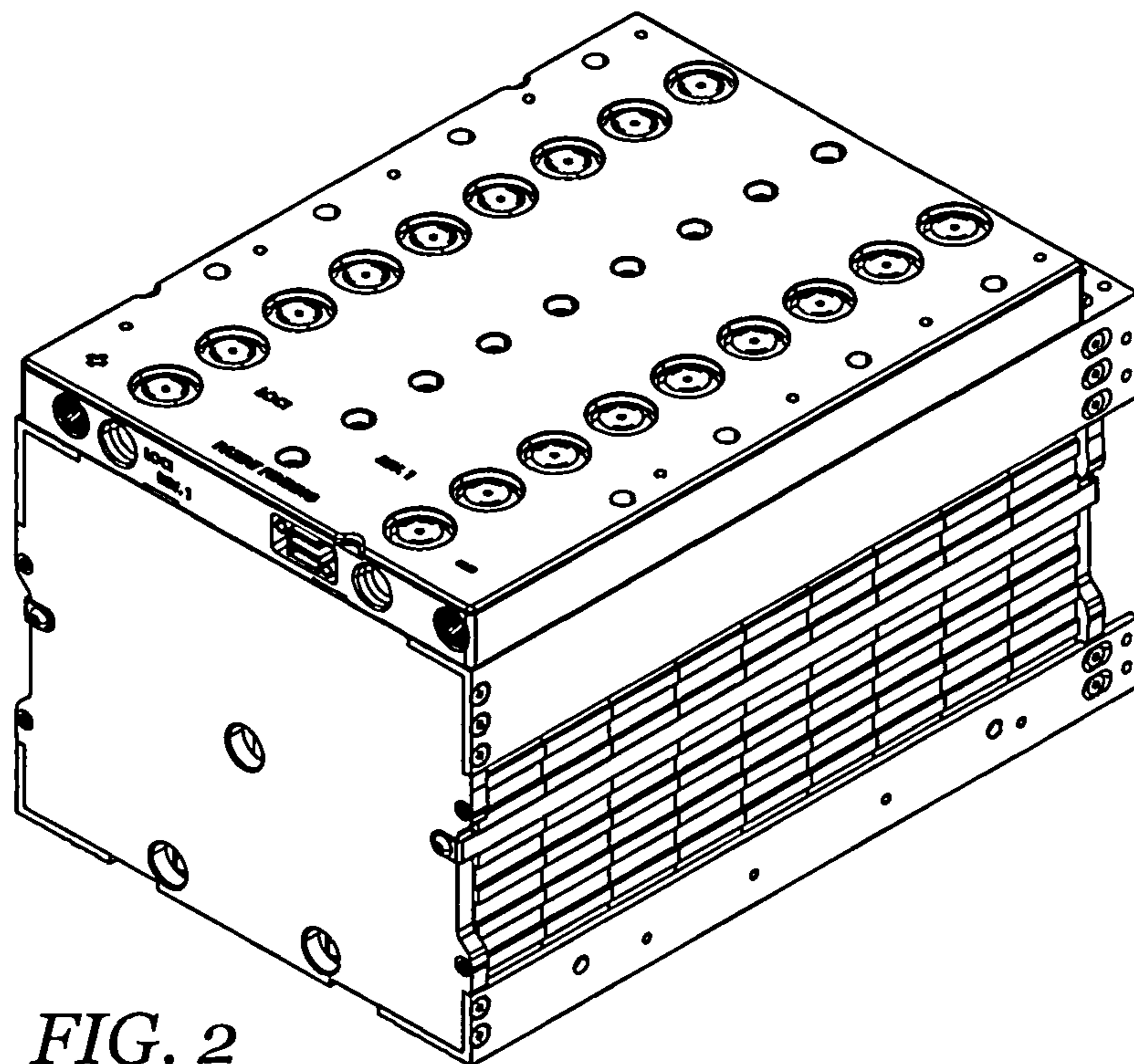


FIG. 2

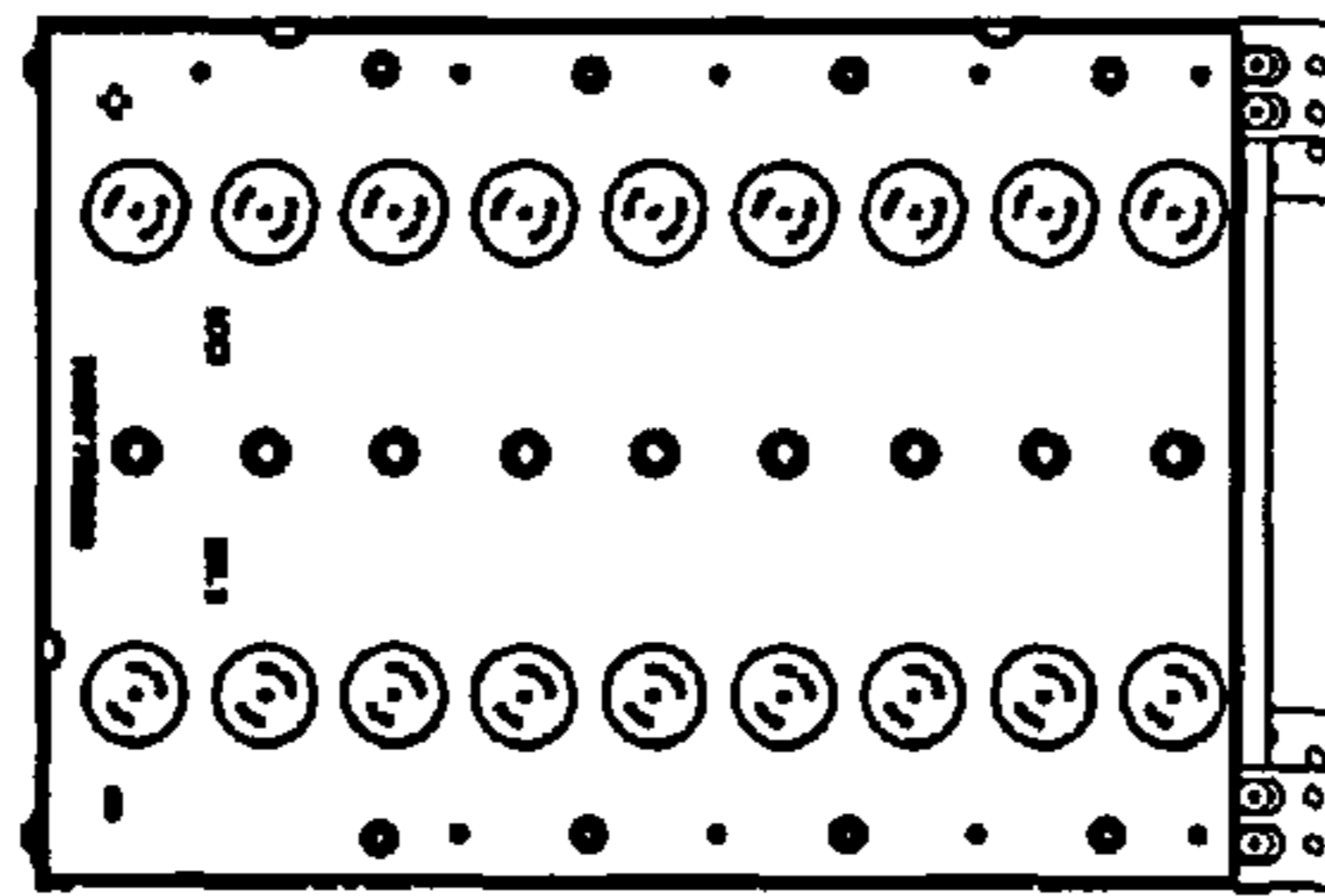


FIG. 3

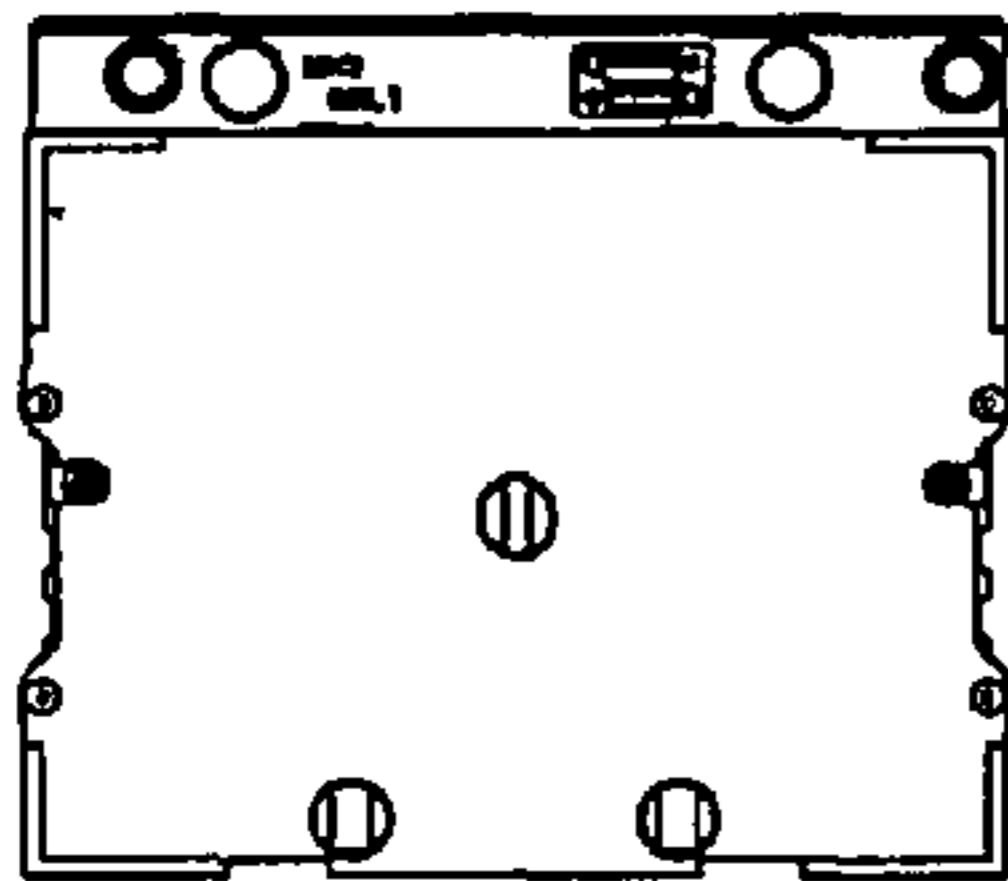


FIG. 4

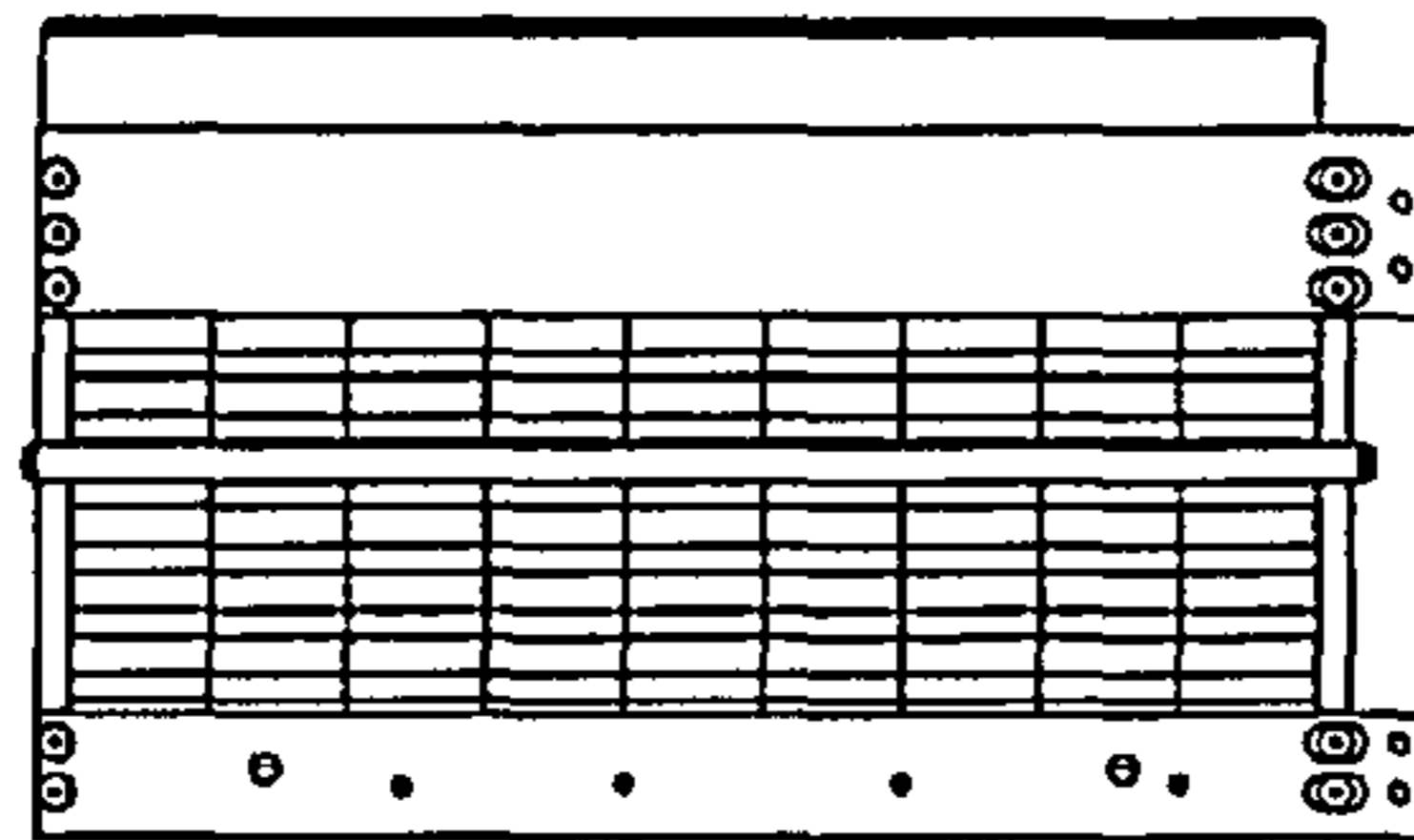


FIG. 5

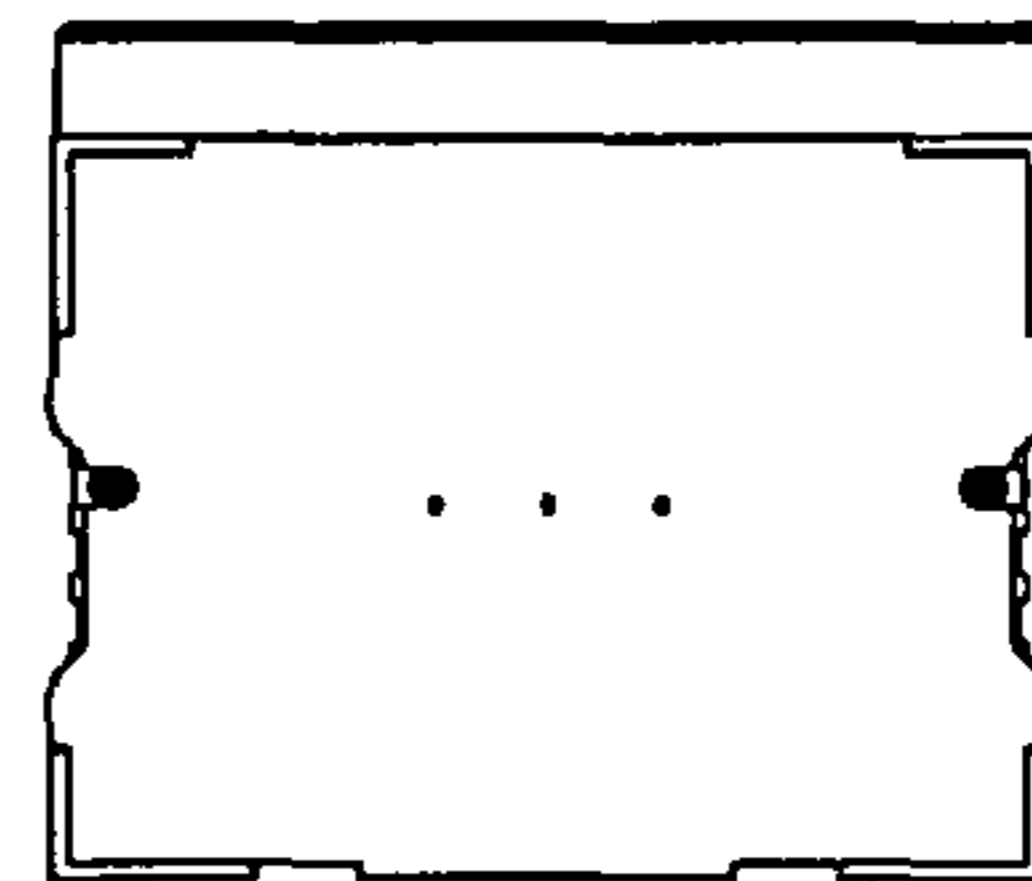


FIG. 6

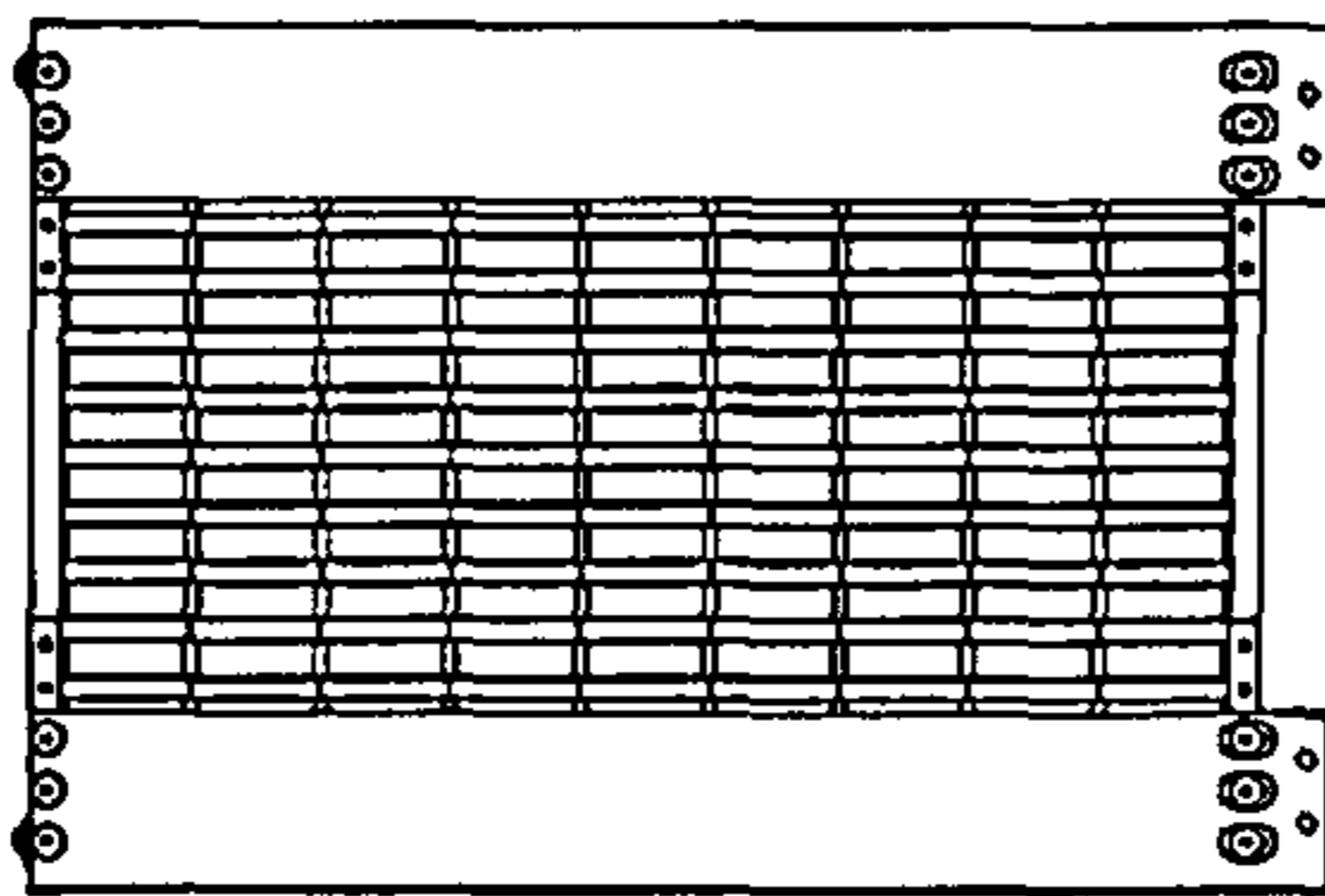


FIG. 7