

US00D699668S

(12) **United States Design Patent**
Kasaba et al.

(10) **Patent No.:** **US D699,668 S**

(45) **Date of Patent:** **** Feb. 18, 2014**

(54) **HEAVY DUTY BATTERY PACK**

(71) Applicants: **Michael E. Kasaba**, Camarillo, CA
(US); **Brian Huff**, Newbury Park, CA
(US); **Russell Davis**, Thousand Oaks,
CA (US)

(72) Inventors: **Michael E. Kasaba**, Camarillo, CA
(US); **Brian Huff**, Newbury Park, CA
(US); **Russell Davis**, Thousand Oaks,
CA (US)

(73) Assignee: **Artisan Vehicle Systems, Inc.**,
Camarillo, CA (US)

(**) Term: **14 Years**

(21) Appl. No.: **29/442,969**

(22) Filed: **Jun. 20, 2013**

(51) **LOC (10) Cl.** **13-02**

(52) **U.S. Cl.**
USPC **D13/103**

(58) **Field of Classification Search**
USPC D13/102-104, 110, 118-121, 184, 199;
429/96-100, 163, 176

See application file for complete search history.

(56) **References Cited**

U.S. PATENT DOCUMENTS

| | | | | | | |
|----------|---|---|---------|-------------------|-------|-----------|
| D295,400 | S | * | 4/1988 | Wung | | D13/154 |
| D318,874 | S | * | 8/1991 | Pushelberg et al. | | D14/140.2 |
| D325,829 | S | * | 5/1992 | Cury | | D6/436 |
| D381,337 | S | * | 7/1997 | Fechner et al. | | D14/140.2 |
| D559,179 | S | * | 1/2008 | Kuo | | D13/110 |
| D584,251 | S | * | 1/2009 | Lewis et al. | | D13/184 |
| D592,618 | S | * | 5/2009 | Lewis et al. | | D13/184 |
| D615,489 | S | * | 5/2010 | Masuda et al. | | D13/103 |
| D643,376 | S | * | 8/2011 | Naumann et al. | | D13/160 |
| D646,239 | S | * | 10/2011 | Chandler et al. | | D13/184 |

* cited by examiner

Primary Examiner — Rosemary K Tarcza

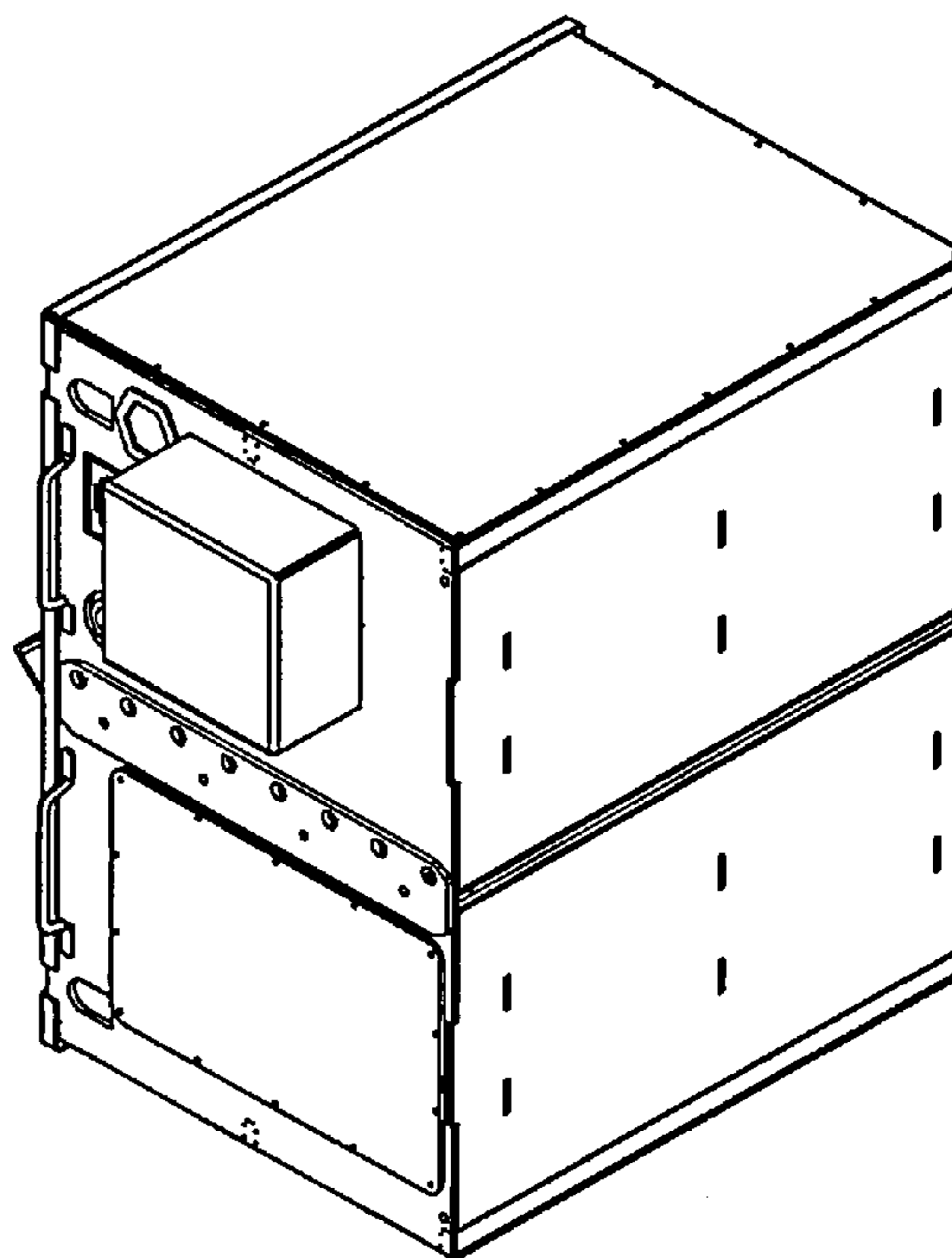
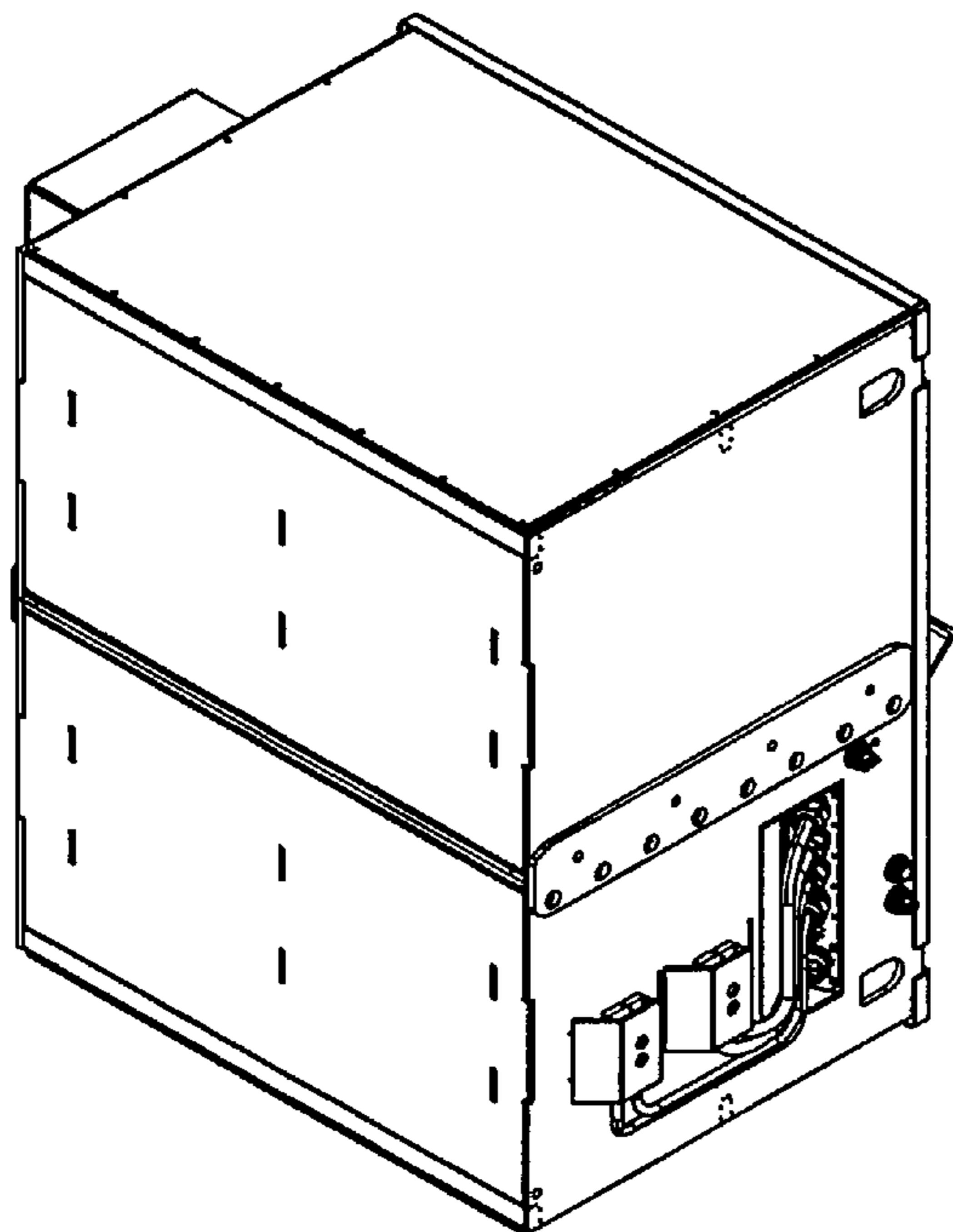
(57) **CLAIM**

The ornamental design for a heavy duty battery pack, as shown.

DESCRIPTION

FIG. 1 is a three dimensional rear view of a heavy duty battery pack showing our new design;
FIG. 2 is a three dimensional front view thereof;
FIG. 3 is a top view thereof;
FIG. 4 is a front view thereof;
FIG. 5 is a right side view thereof;
FIG. 6 is a rear side view thereof; and,
FIG. 7 is a left side view thereof.

1 Claim, 2 Drawing Sheets



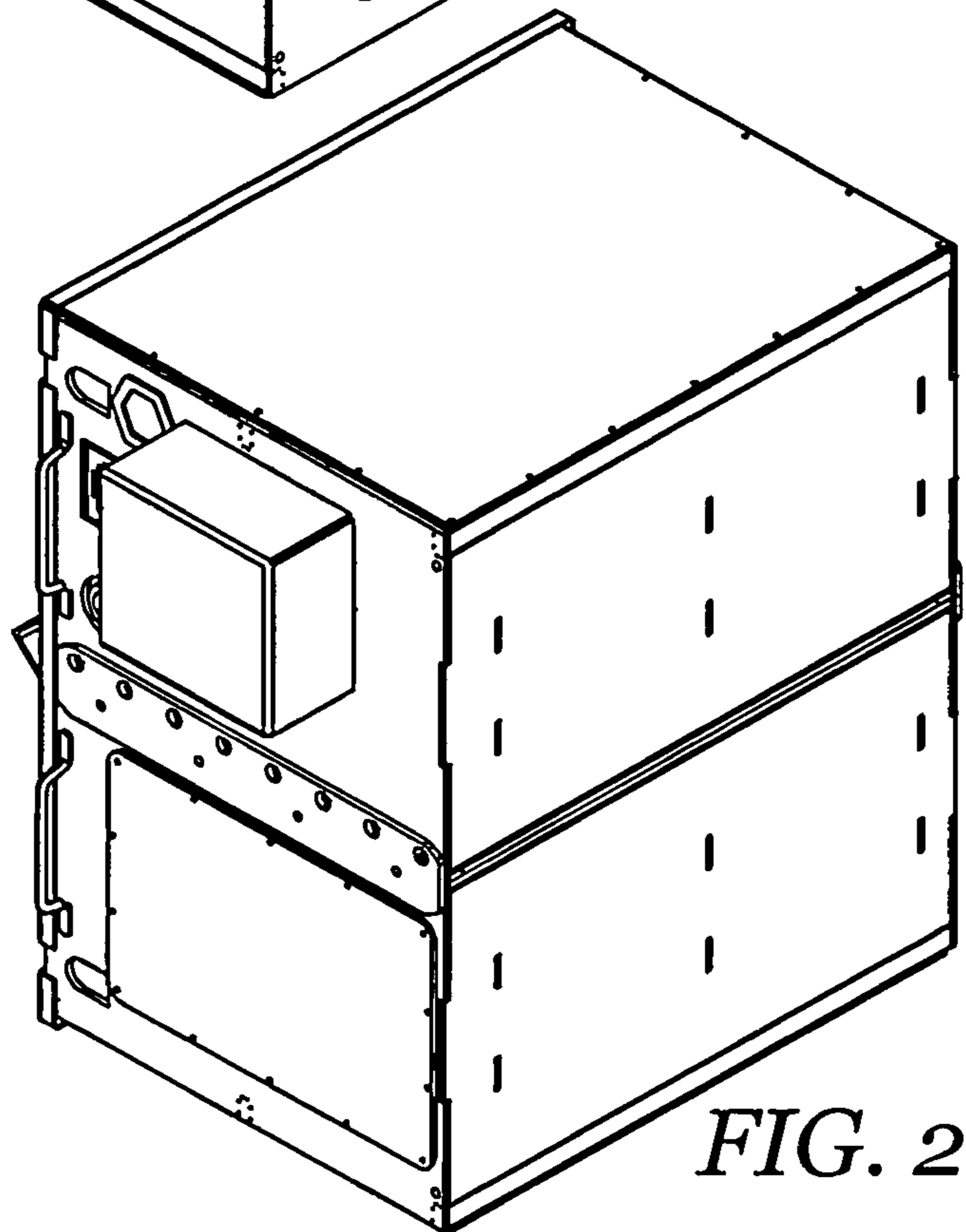
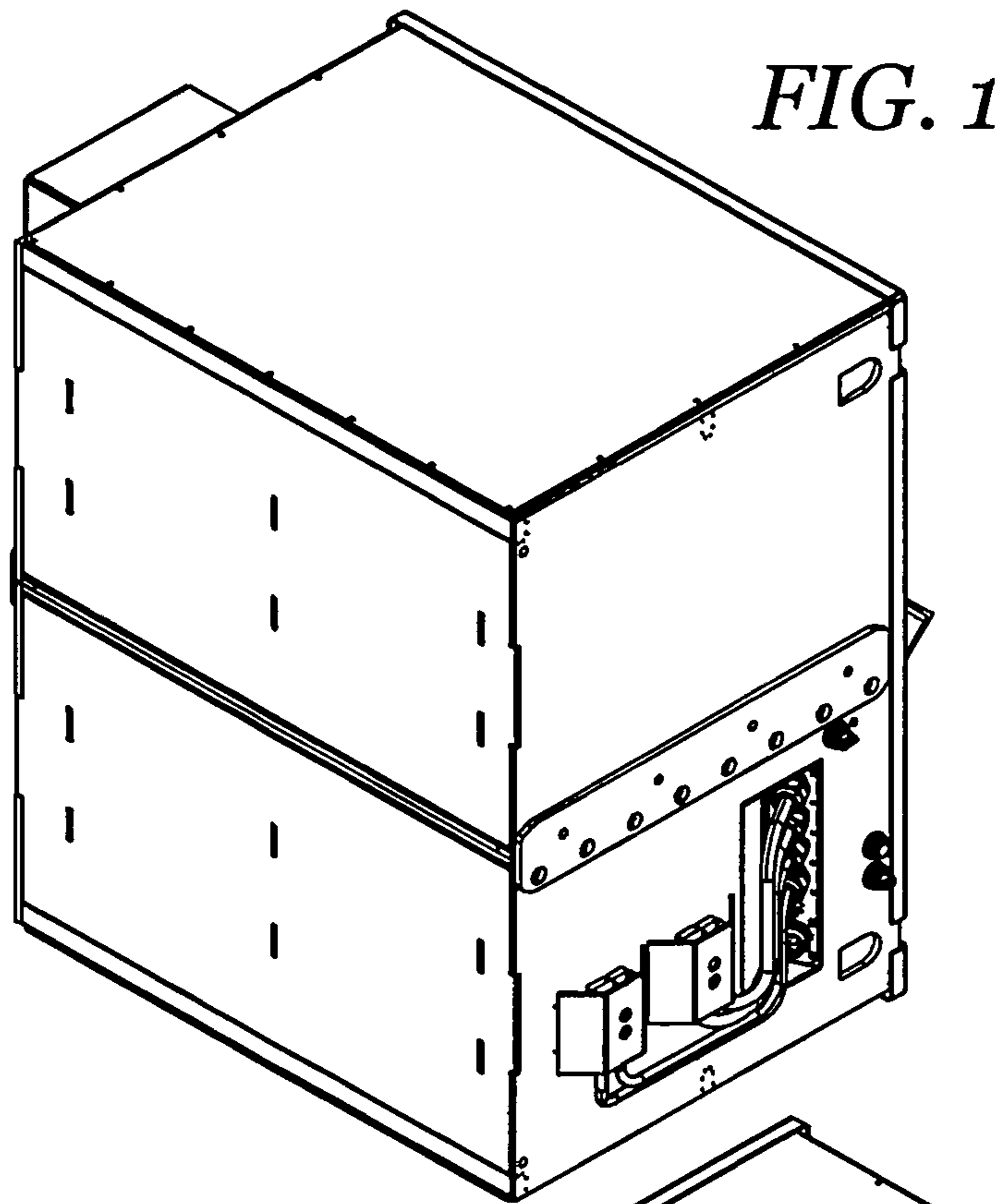


FIG. 3

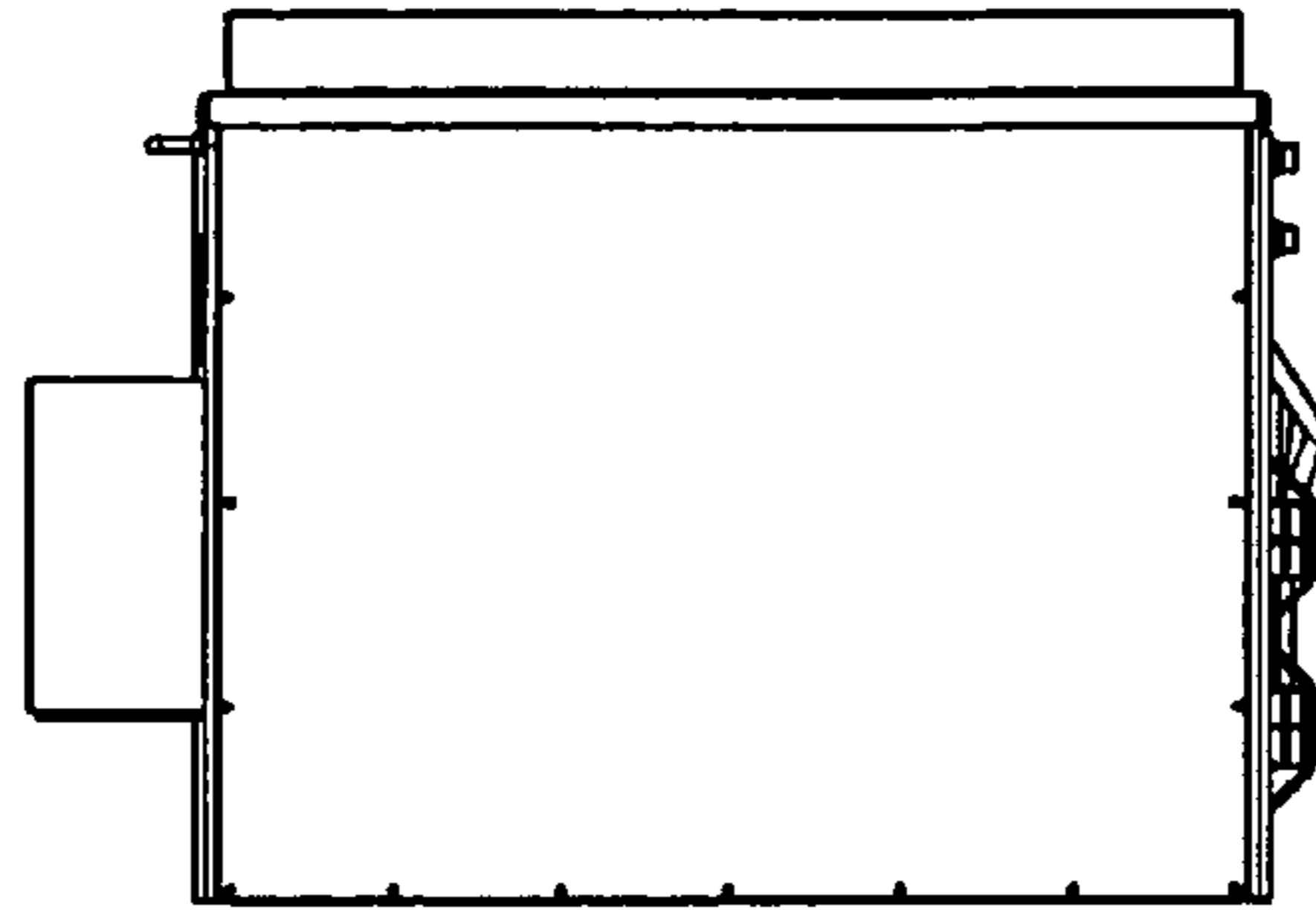


FIG. 4

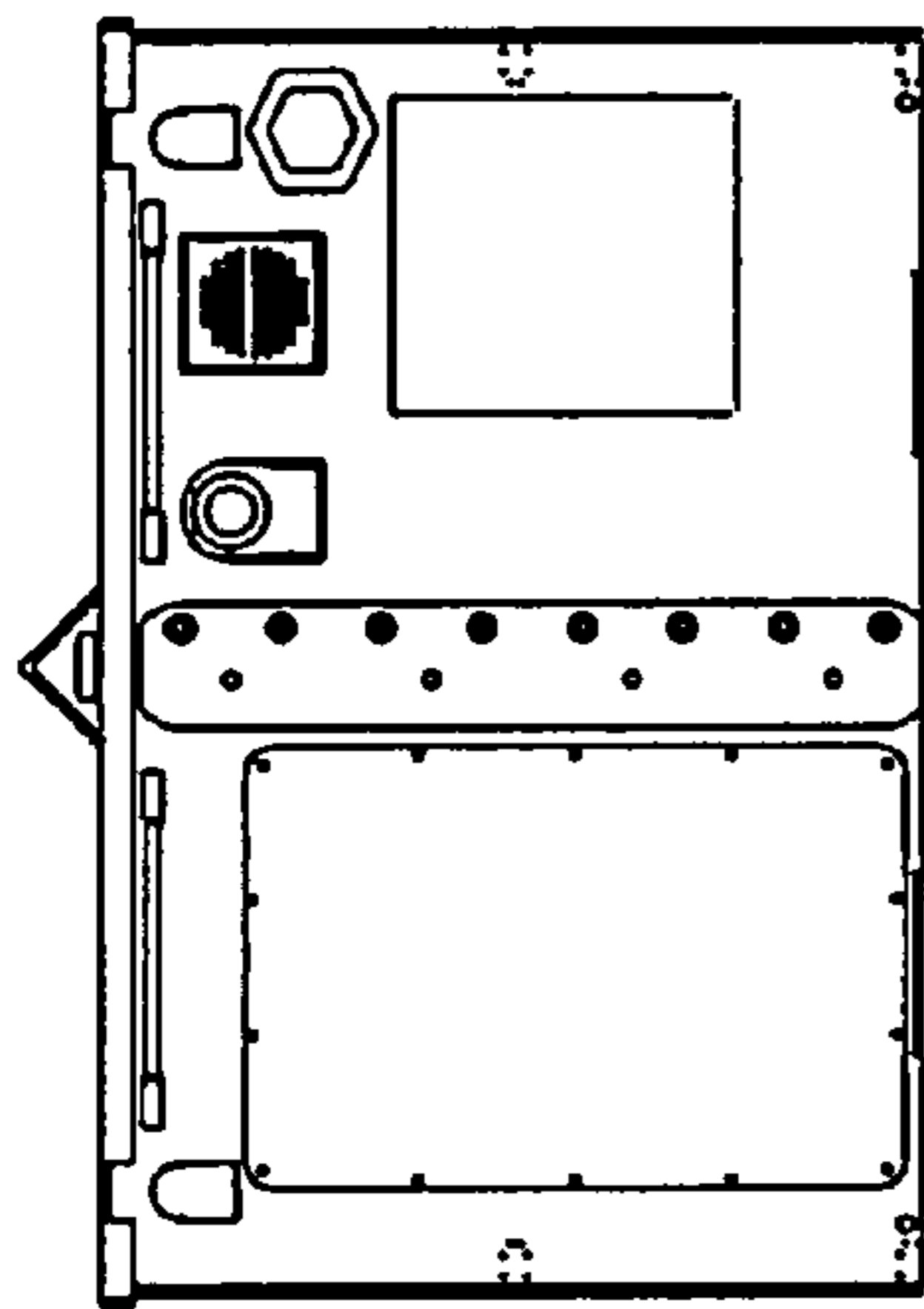


FIG. 5

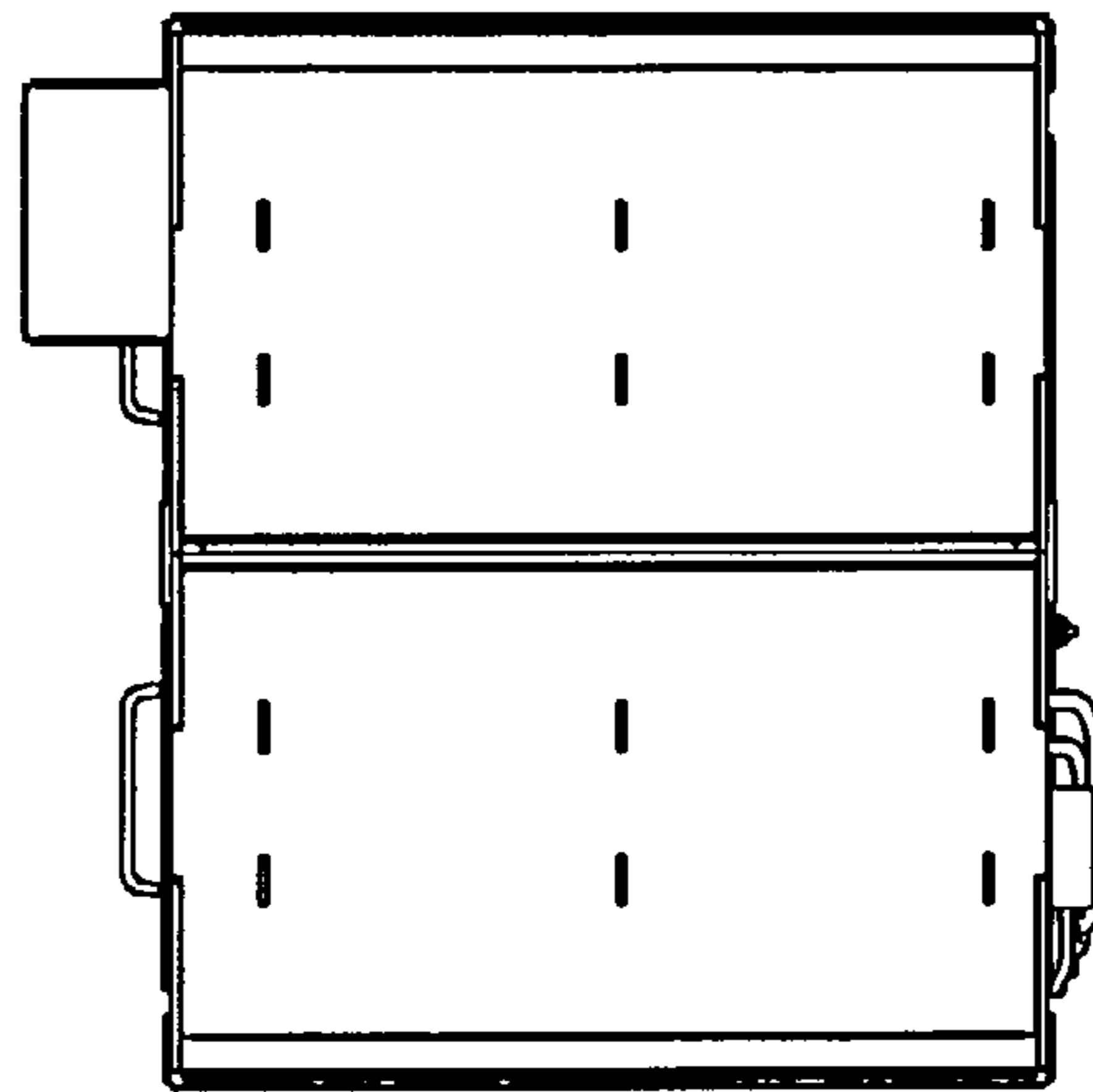


FIG. 6

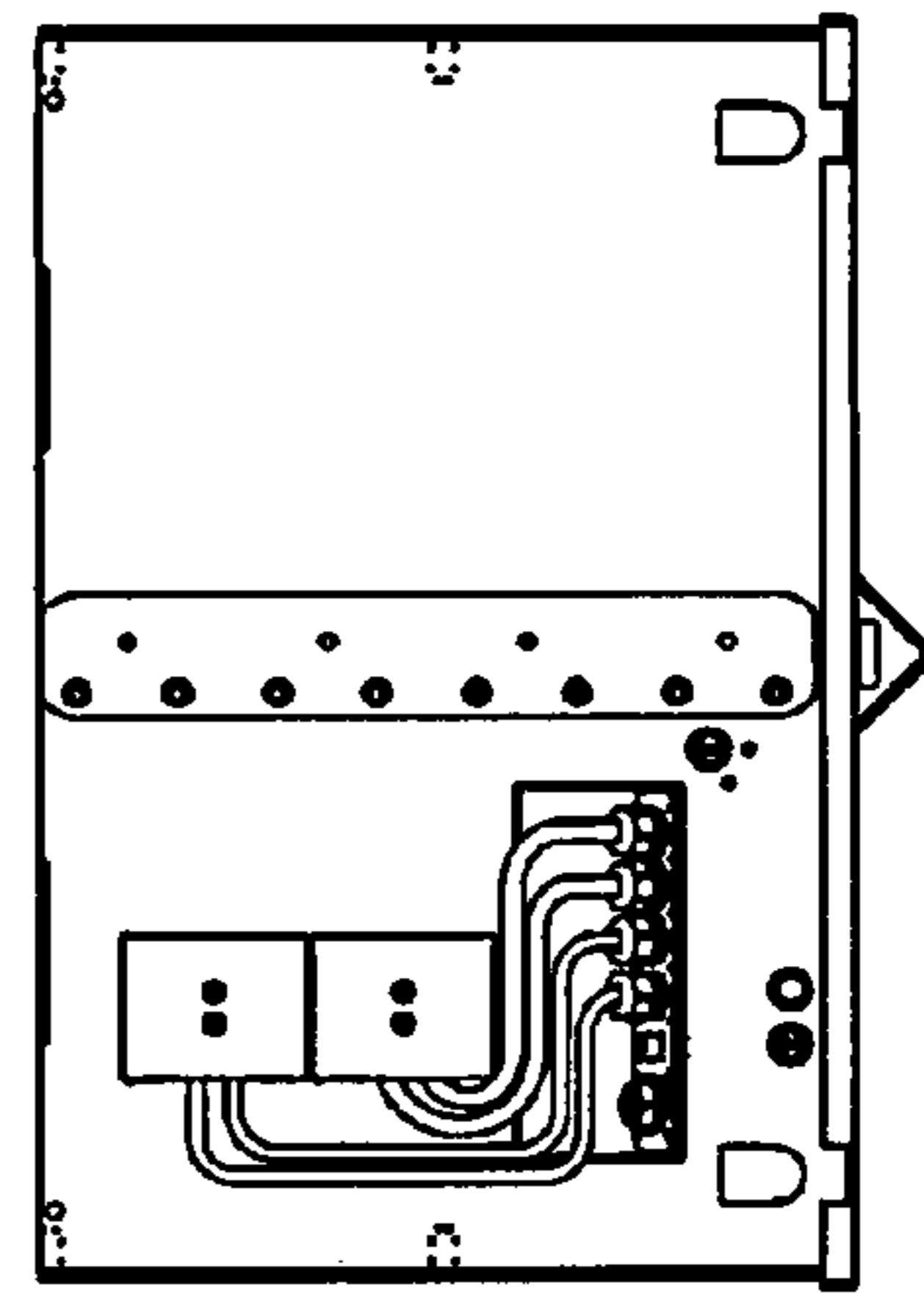


FIG. 7

