

US00D699667S

(12) **United States Design Patent**
Kasaba et al.

(10) **Patent No.:** **US D699,667 S**

(45) **Date of Patent:** **** Feb. 18, 2014**

(54) **HEAVY DUTY BATTERY PACK**

(71) Applicants: **Michael E. Kasaba**, Camarillo, CA (US); **Brian Huff**, Newbury Park, CA (US); **Russell Davis**, Thousand Oaks, CA (US)

(72) Inventors: **Michael E. Kasaba**, Camarillo, CA (US); **Brian Huff**, Newbury Park, CA (US); **Russell Davis**, Thousand Oaks, CA (US)

(73) Assignee: **Artisan Vehicle System, Inc.**, Camarillo, CA (US)

(**) Term: **14 Years**

(21) Appl. No.: **29/442,965**

(22) Filed: **Jun. 20, 2013**

(51) **LOC (10) Cl.** **13-02**

(52) **U.S. Cl.**
USPC **D13/103**

(58) **Field of Classification Search**
USPC D13/102-104, 110, 118-121, 184, 199;
429/96-100, 163, 176

See application file for complete search history.

(56) **References Cited**

U.S. PATENT DOCUMENTS

D224,229	S	*	7/1972	Miller	D13/184
D242,148	S	*	11/1976	Slutterback	D13/104
D293,234	S	*	12/1987	Helou et al.	D13/104
D299,227	S	*	1/1989	Grannen, III	D13/104
D360,877	S	*	8/1995	Ropponen et al.	D13/184
D390,834	S	*	2/1998	Dizon et al.	D13/184
D558,141	S	*	12/2007	Kwon	D13/110
D559,179	S	*	1/2008	Kuo	D13/110
D615,489	S	*	5/2010	Masuda et al.	D13/103
D643,376	S	*	8/2011	Naumann et al.	D13/160
D657,759	S	*	4/2012	Devillier	D13/184

* cited by examiner

Primary Examiner — Rosemary K Tarcza

(57) **CLAIM**

The ornamental design for a heavy duty battery pack, as shown.

DESCRIPTION

FIG. 1 is a top view of the heavy duty battery pack showing our new design;
FIG. 2 is a front view thereof;
FIG. 3 is a right side view thereof;
FIG. 4 is left rear perspective view thereof; and,
FIG. 5 is a right front perspective view thereof.

1 Claim, 2 Drawing Sheets

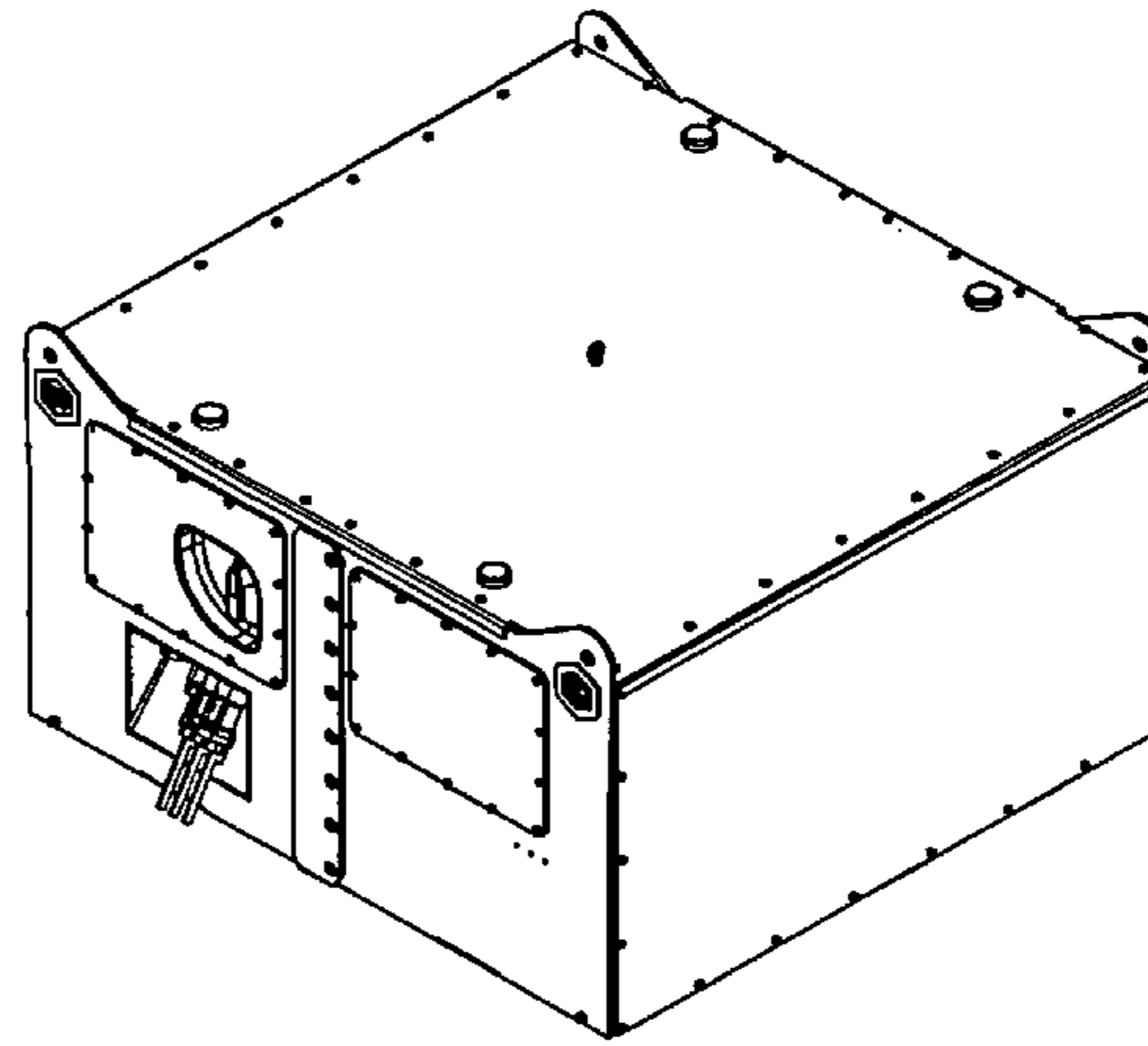
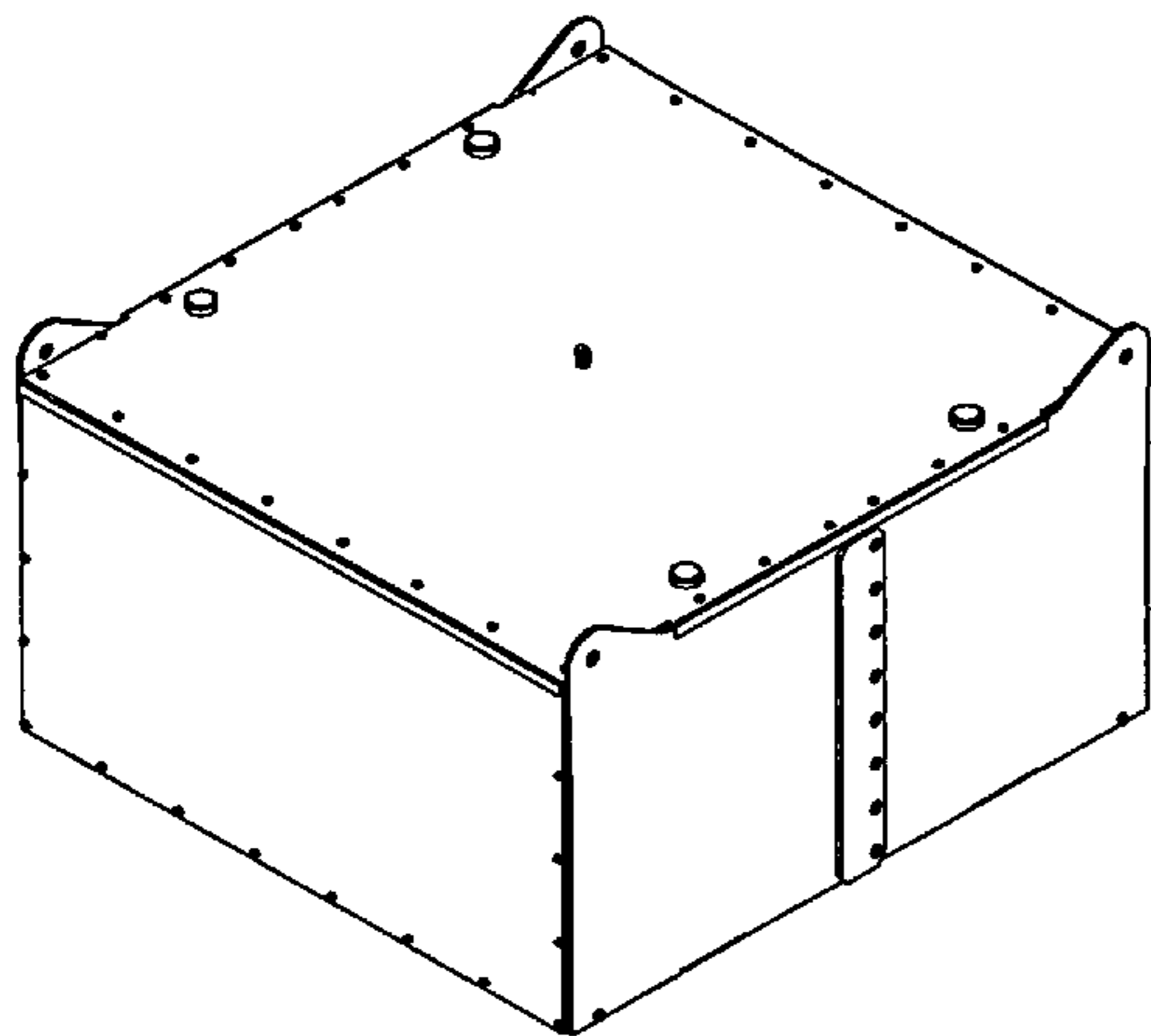


FIG. 1

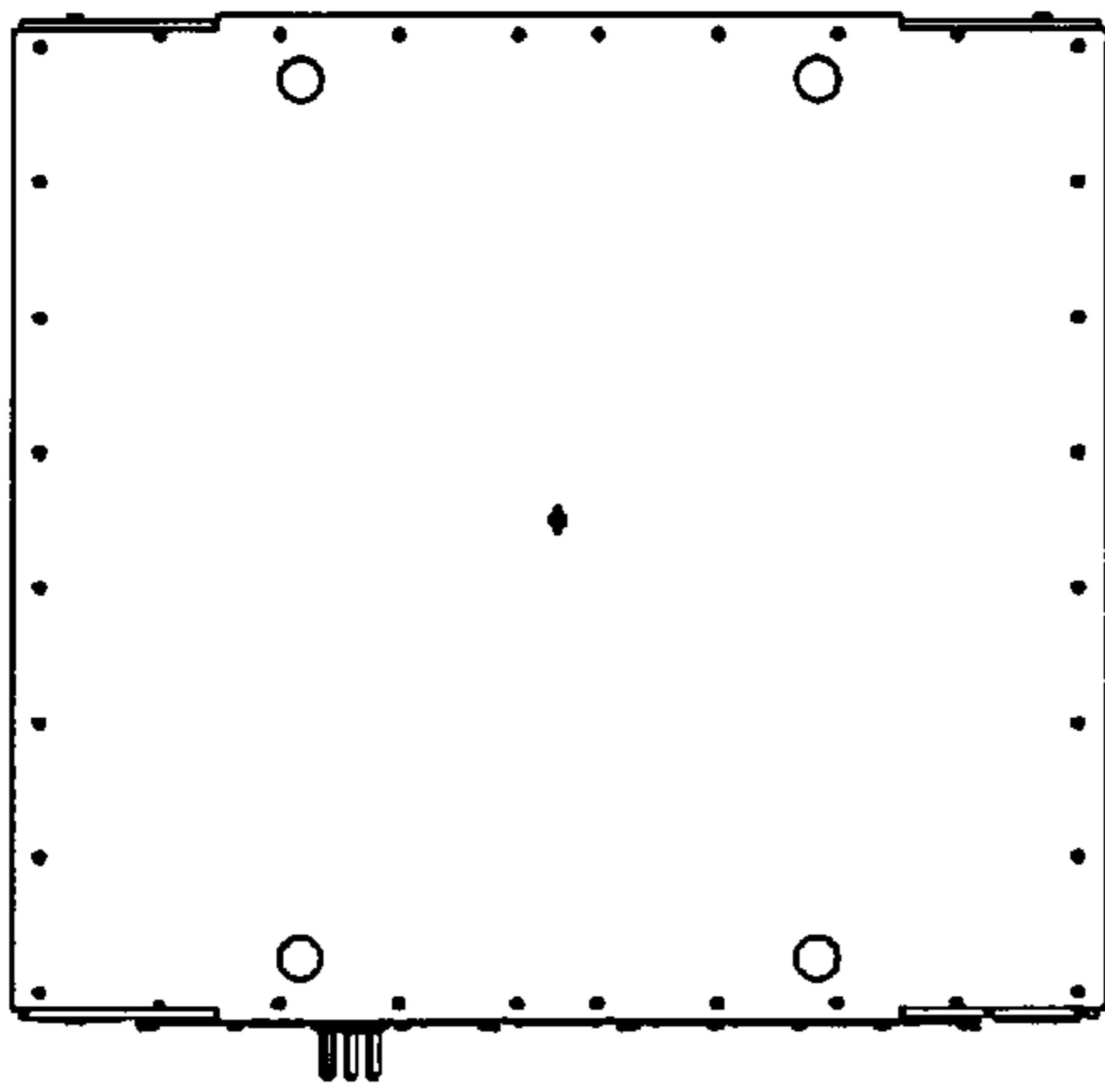


FIG. 2

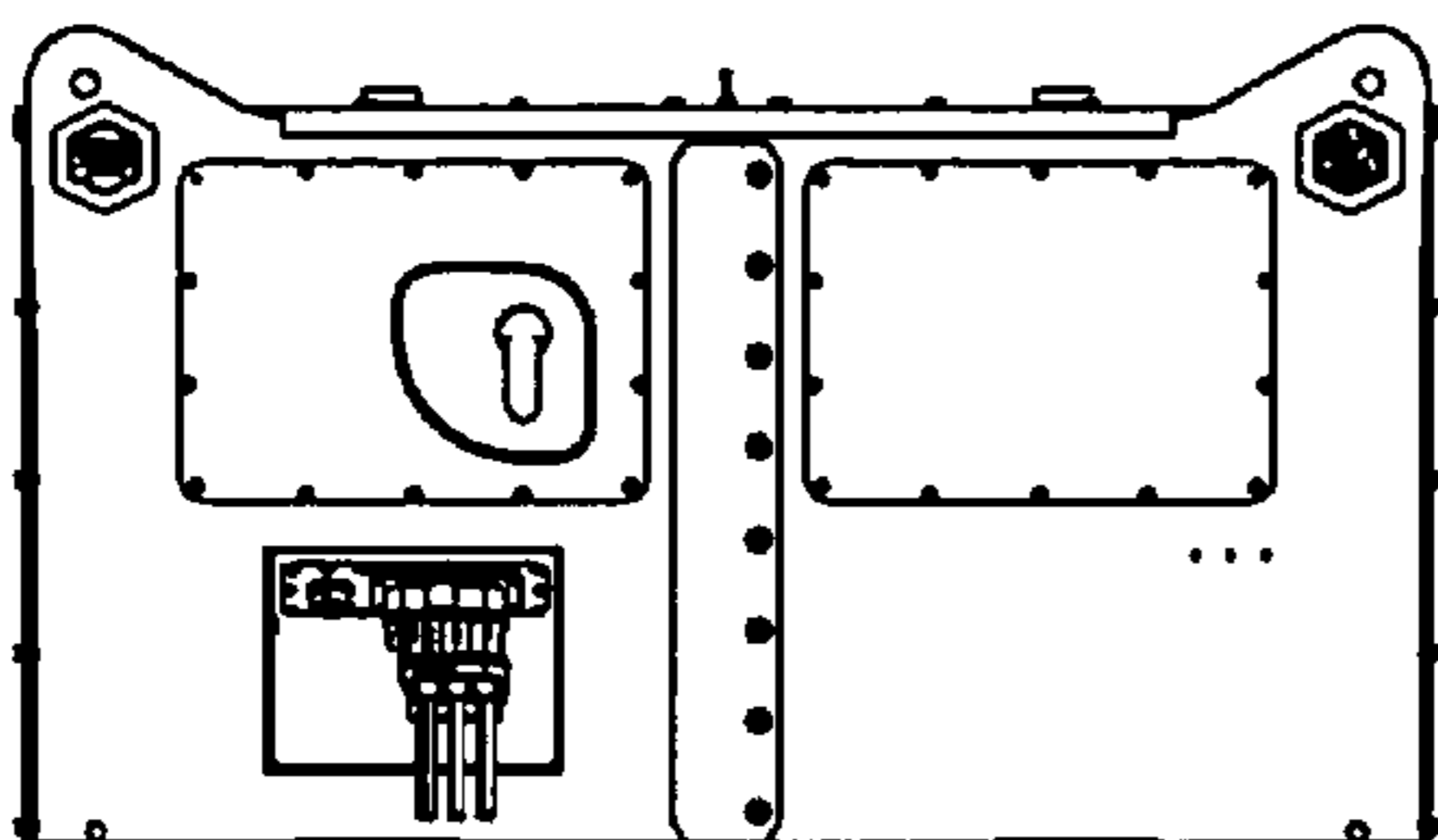


FIG. 3

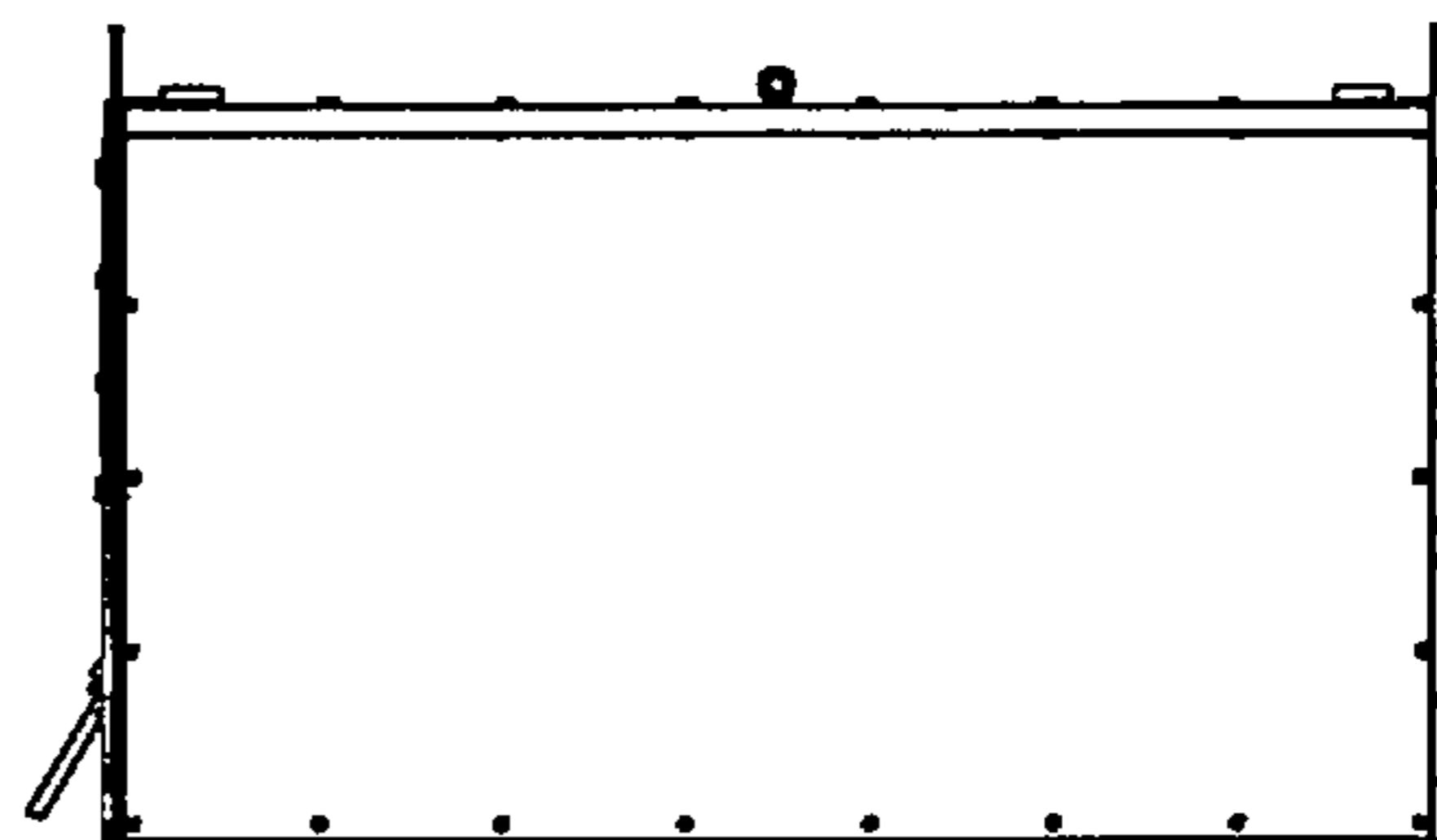


FIG. 4

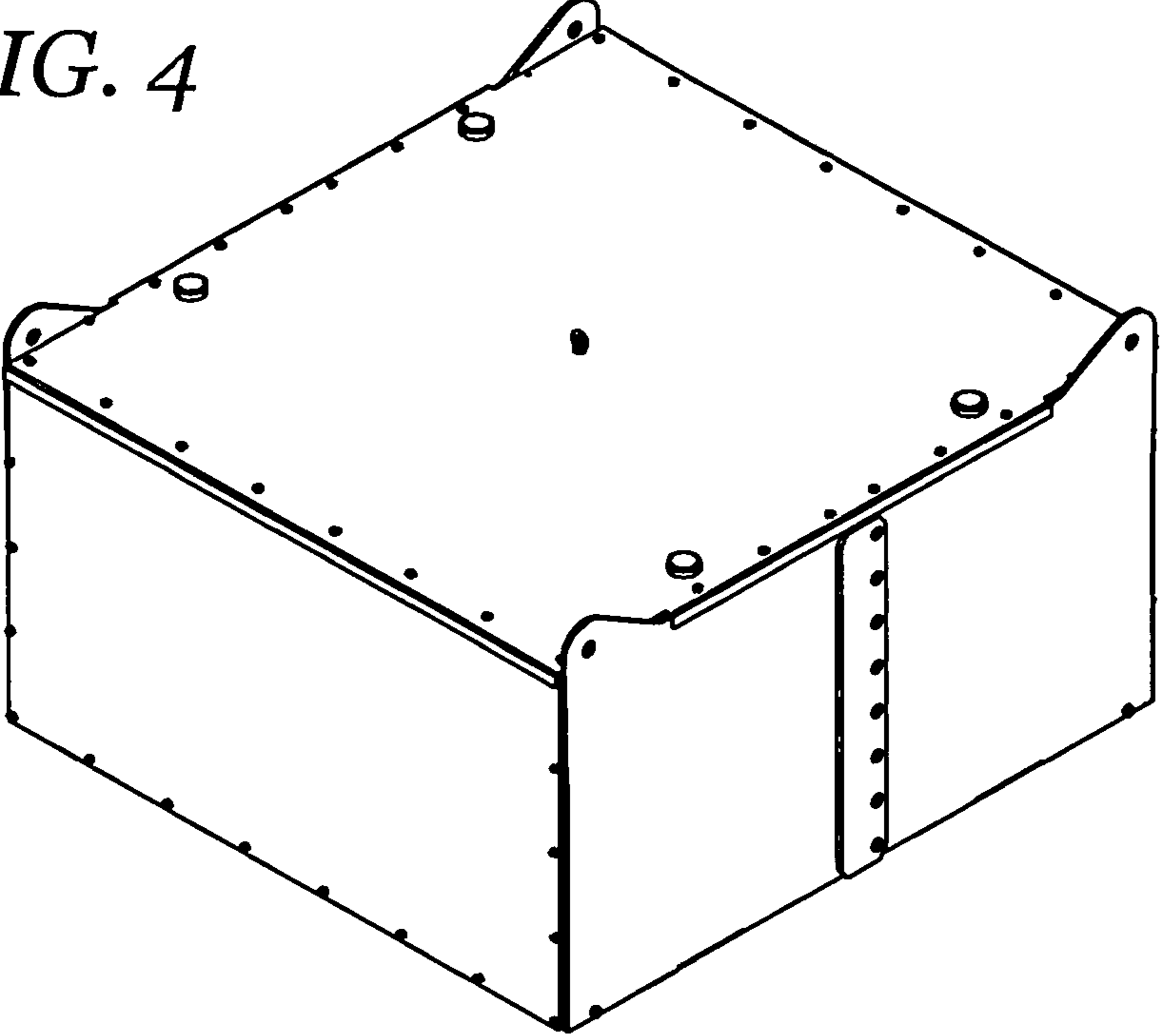


FIG. 5

