



US00D699666S

(12) **United States Design Patent**
Moyal

(10) **Patent No.:** **US D699,666 S**

(45) **Date of Patent:** **** Feb. 18, 2014**

(54) **RACKING FOR SOLAR THERMAL COLLECTOR**

D640,972 S * 7/2011 Fiero D13/102
D652,186 S * 1/2012 Lin D32/25
2008/0308091 A1* 12/2008 Corio 126/606

(75) Inventor: **Gal Moyal**, Los Gatos, CA (US)

* cited by examiner

(73) Assignee: **Gemtech Sales Corp.**, San Jose, CA (US)

Primary Examiner — Derrick Holland

(74) *Attorney, Agent, or Firm* — Aka Chan LLP

(**) Term: **14 Years**

(57) **CLAIM**

The ornamental design for a racking for solar thermal collector, as shown and described.

(21) Appl. No.: **29/419,317**

DESCRIPTION

(22) Filed: **Apr. 26, 2012**

(51) **LOC (10) Cl.** **13-02**

(52) **U.S. Cl.**
USPC **D13/102**

(58) **Field of Classification Search**
USPC D13/102, 101, 107, 184, 199; D25/57, D25/61, 199; 52/74, 77, 78; 126/569, 571, 126/577, 600, 603, 605, 606, 608, 704; 136/243–246, 251; 320/101

See application file for complete search history.

FIG. 1 is a front perspective view of a racking for solar thermal collector showing my new design;

FIG. 2 is a front view thereof;

FIG. 3 is a top view thereof;

FIG. 4 is a left side view thereof;

FIG. 5 is a right side view thereof;

FIG. 6 is a back view thereof;

FIG. 7 is an enlarged fragmental view thereof, as indicated by circle 7 in FIG. 1;

FIG. 8 is an enlarged fragmental view thereof, as indicated by circle 8 in FIG. 4;

FIG. 9 is an enlarged fragmental view thereof, as indicated by circle 9 in FIG. 4; and,

FIG. 10 is a perspective view thereof, shown in an environmental use.

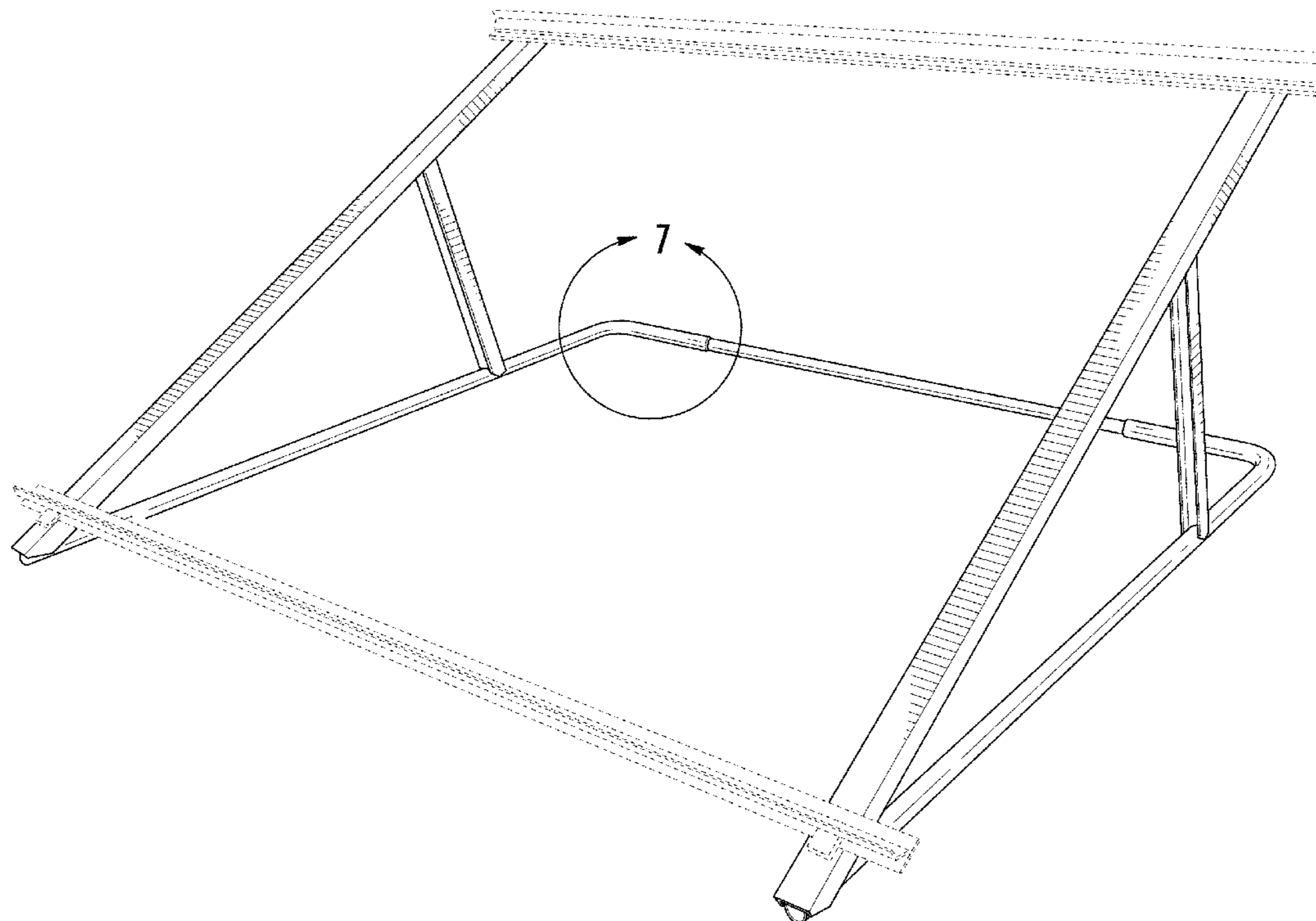
The broken lines shown represent unclaimed subject matter and form no part of the claimed design.

(56) **References Cited**

U.S. PATENT DOCUMENTS

5,685,151 A * 11/1997 Ross 60/641.8
D425,013 S * 5/2000 Lai D13/102
6,563,040 B2 * 5/2003 Hayden et al. 136/244
D562,225 S * 2/2008 Almy et al. D13/102
D565,505 S * 4/2008 Shugar et al. D13/102

1 Claim, 9 Drawing Sheets



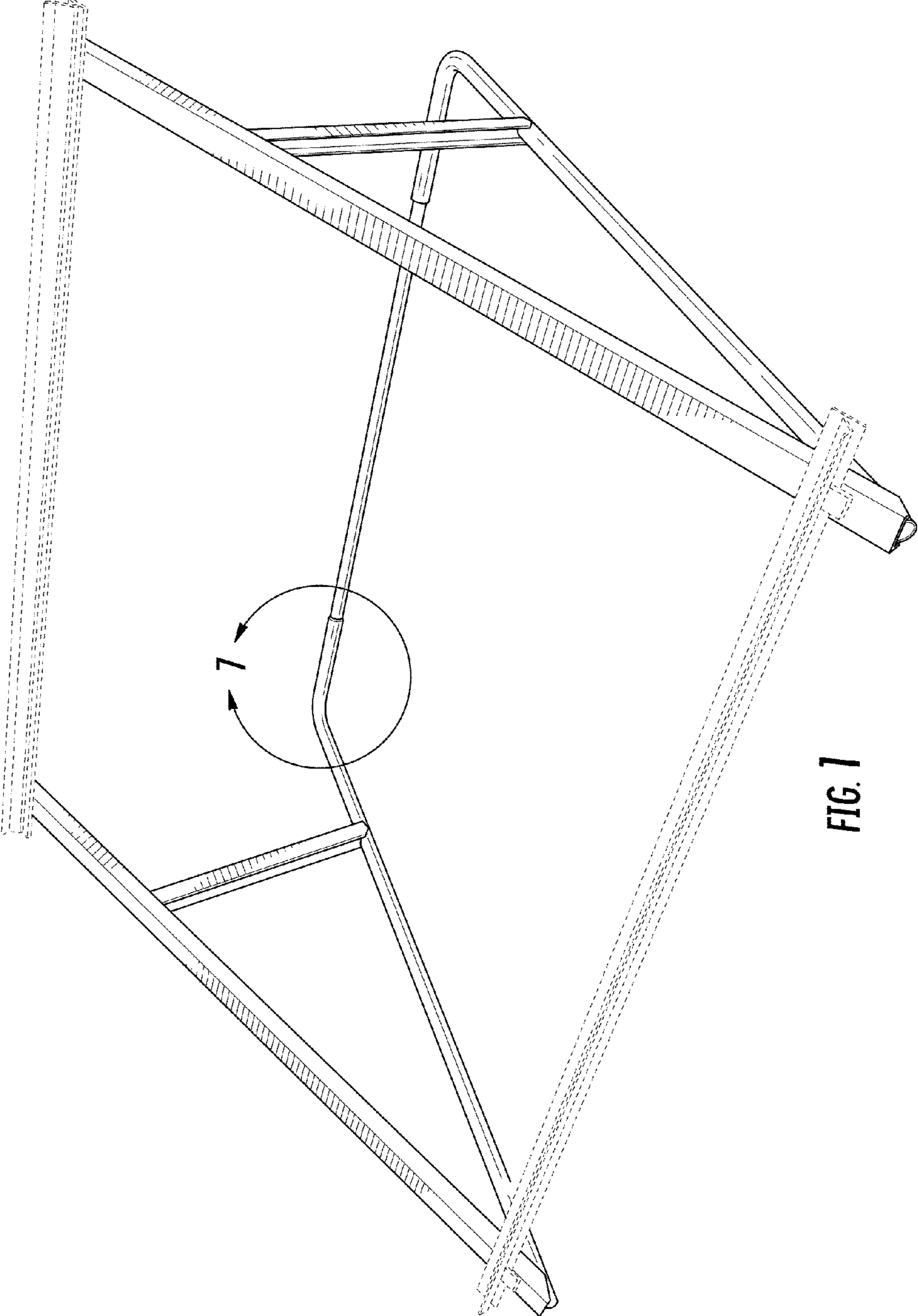


FIG. 1



FIG. 2

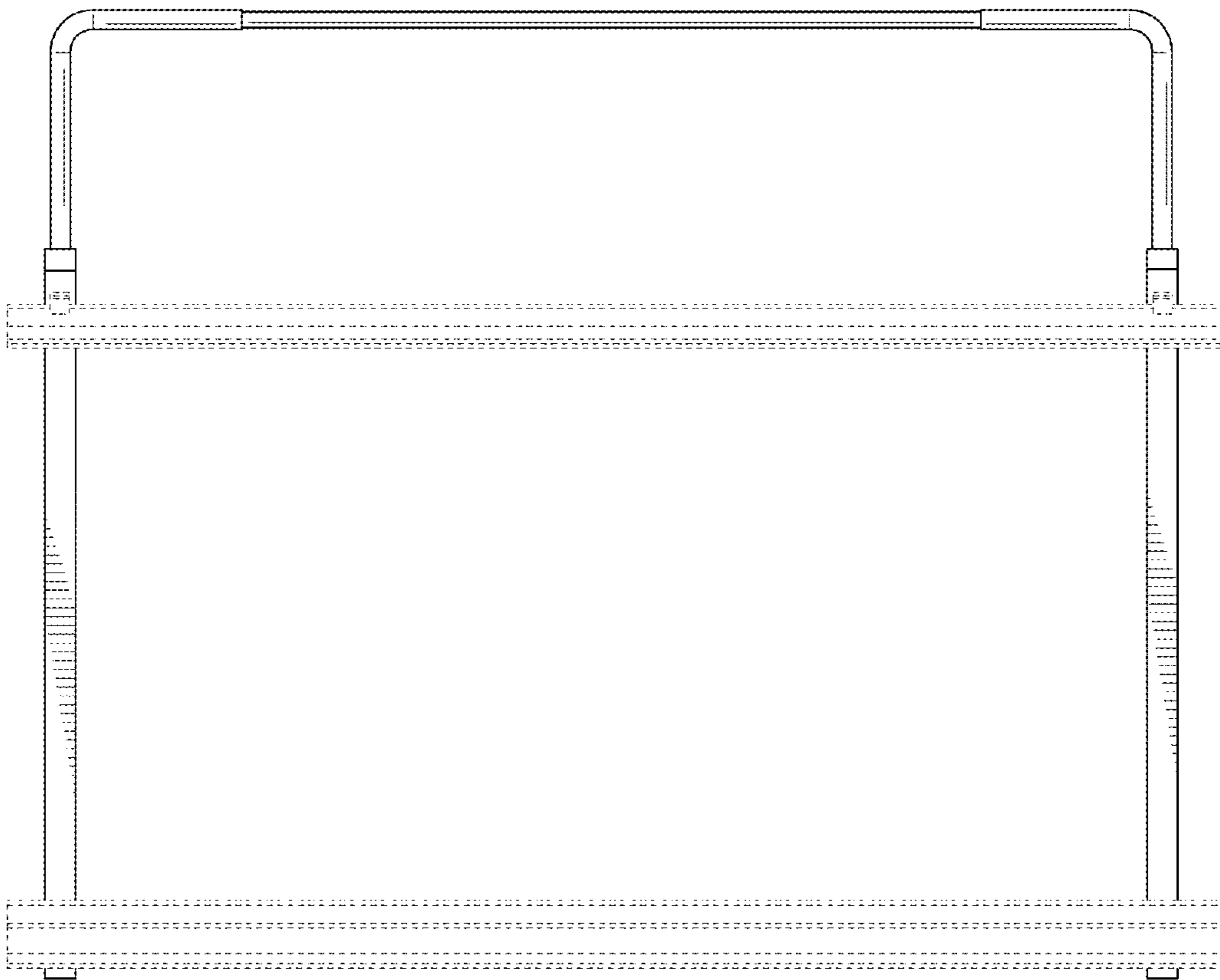


FIG. 3

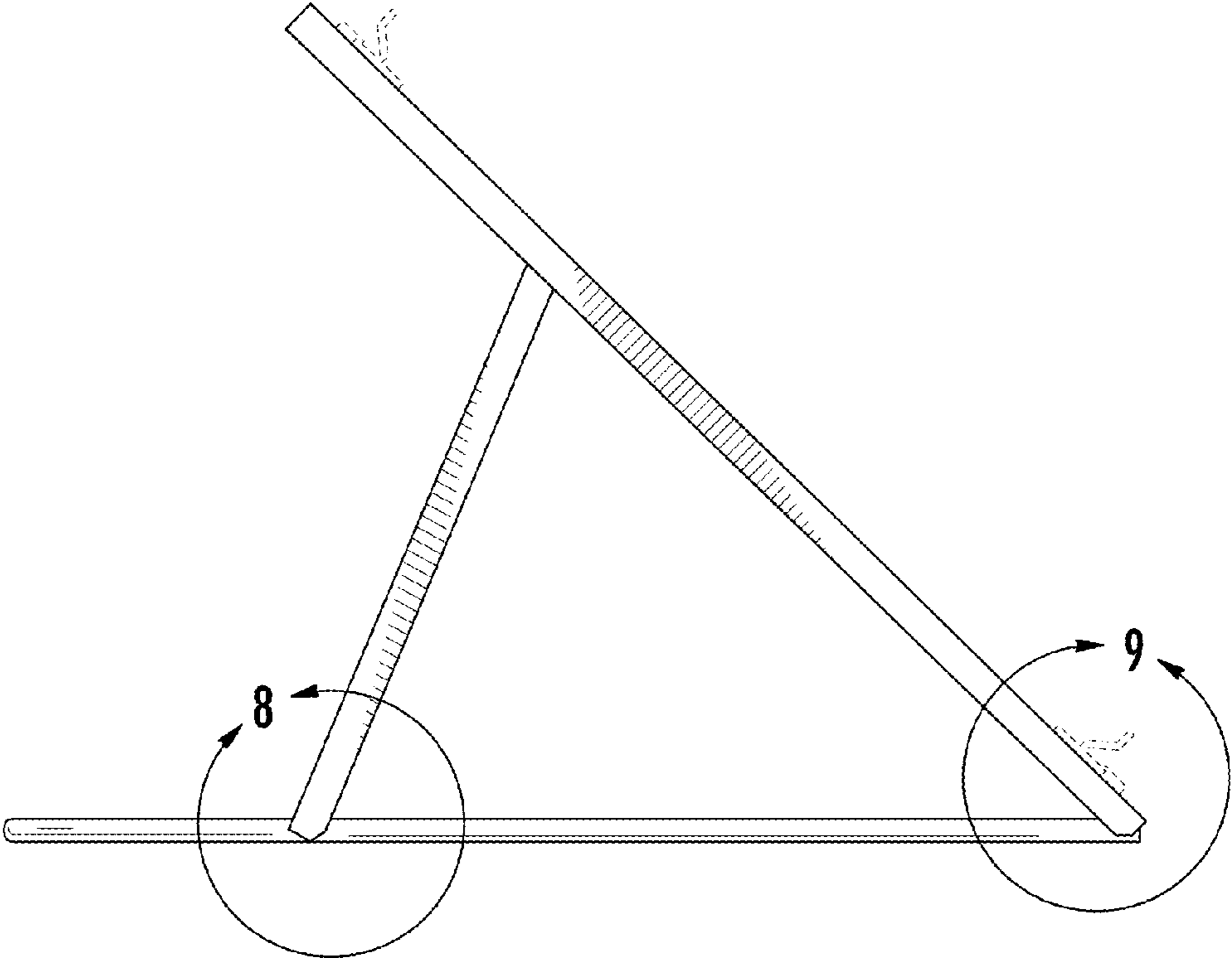


FIG. 4

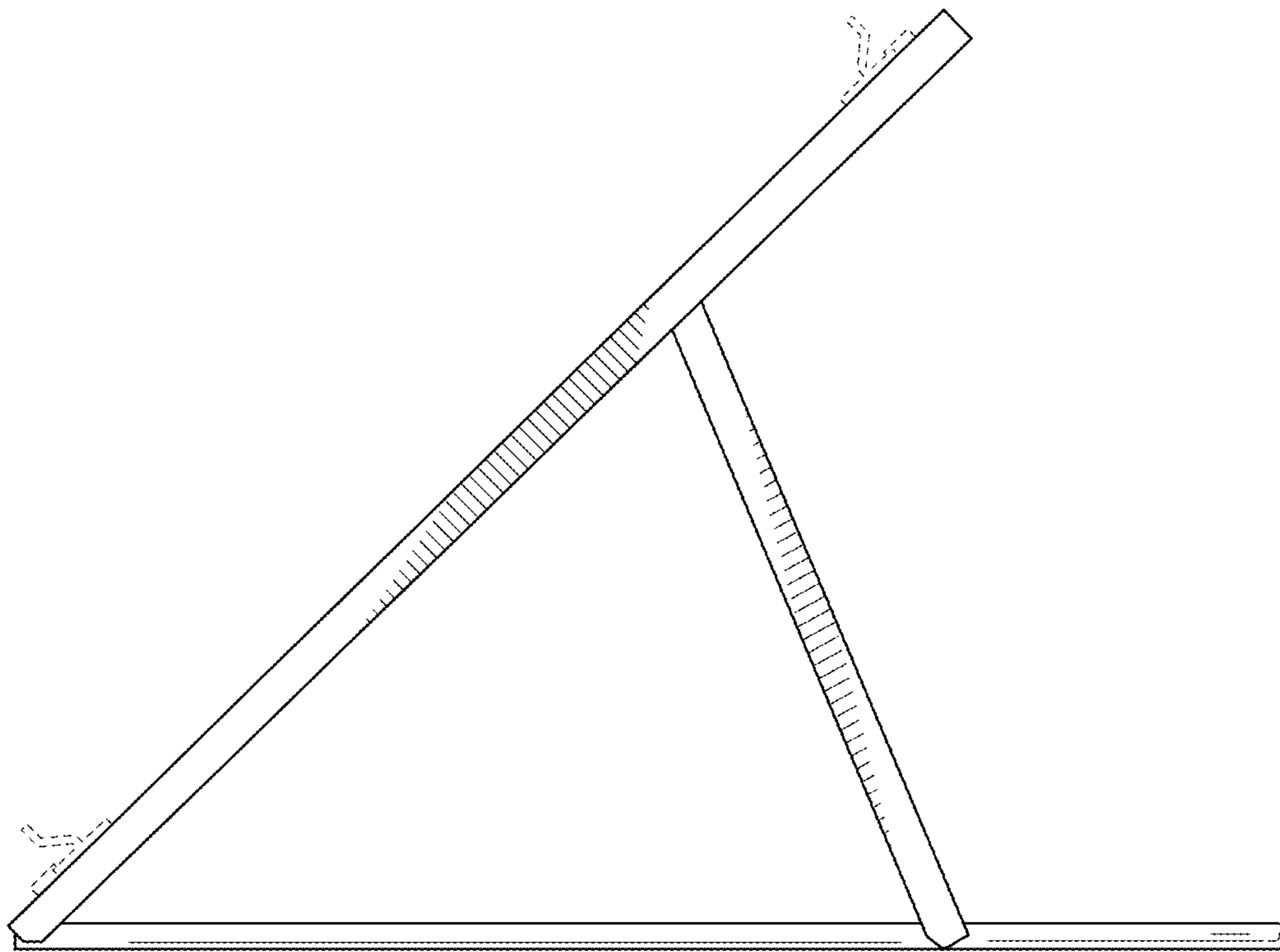


FIG. 5

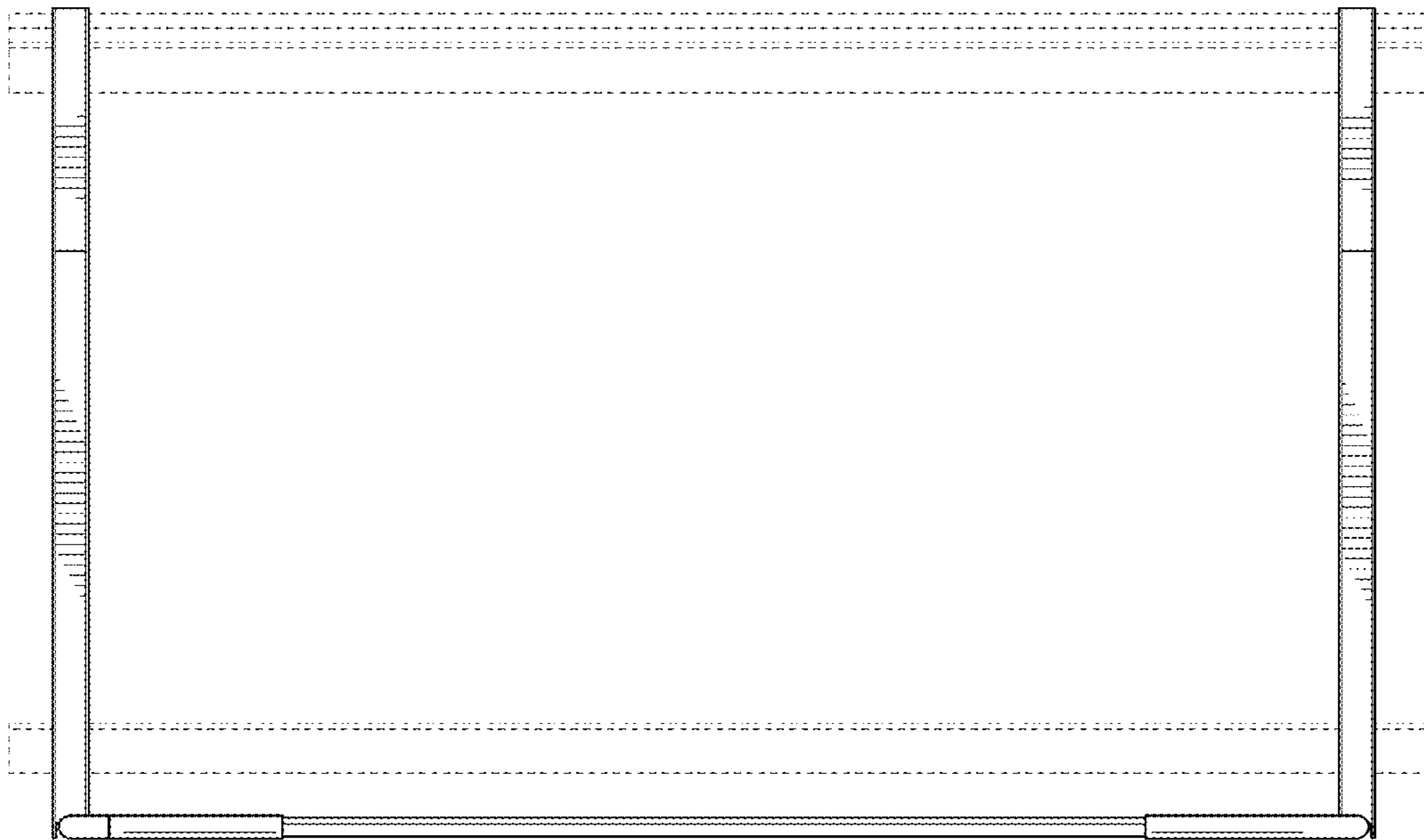


FIG. 6

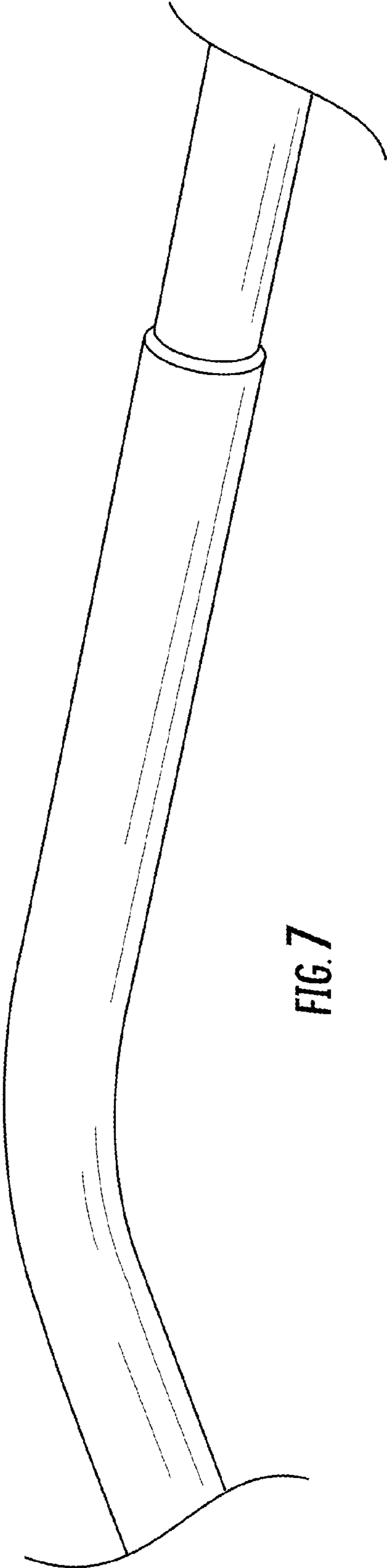


FIG. 7

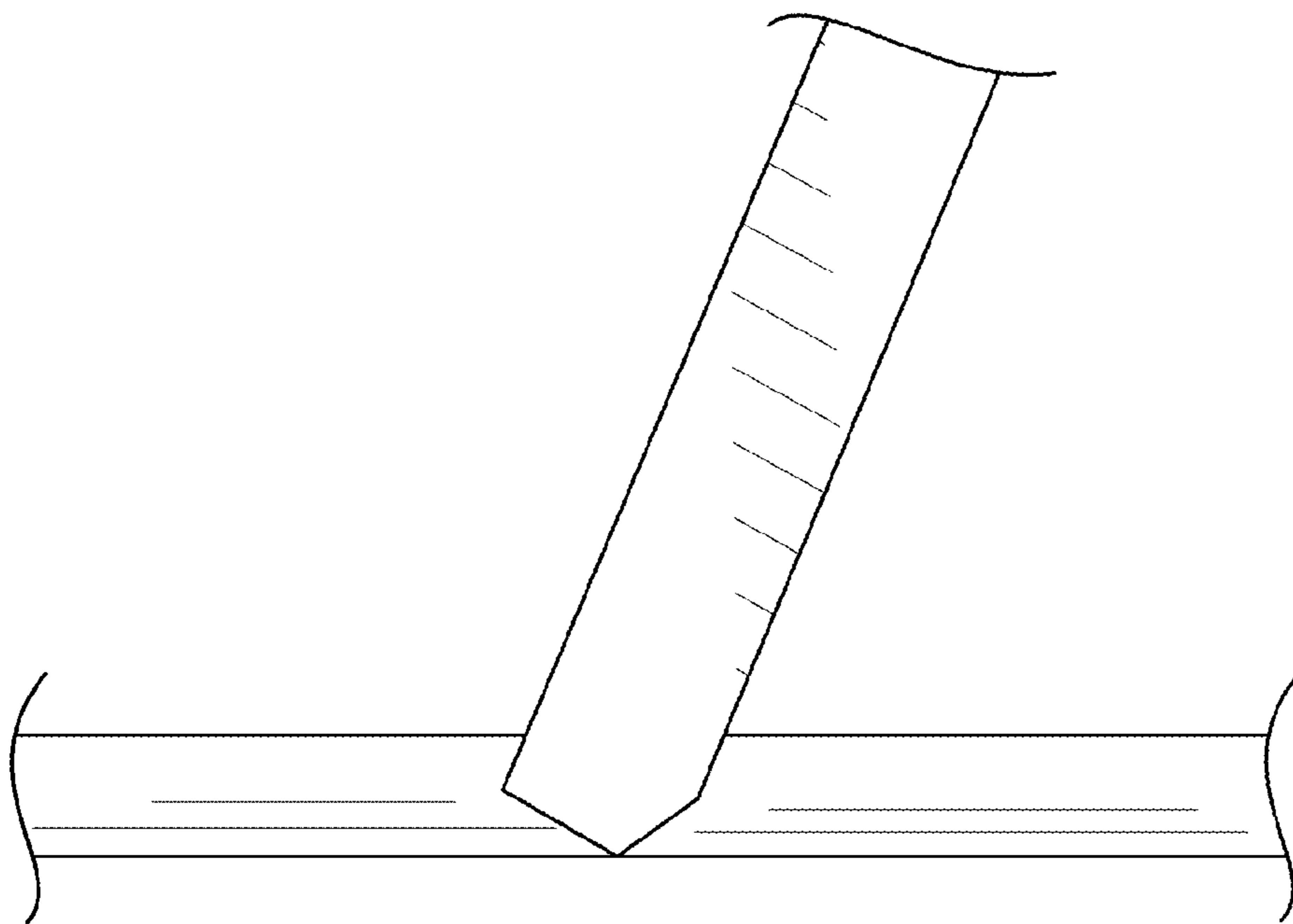


FIG. 8

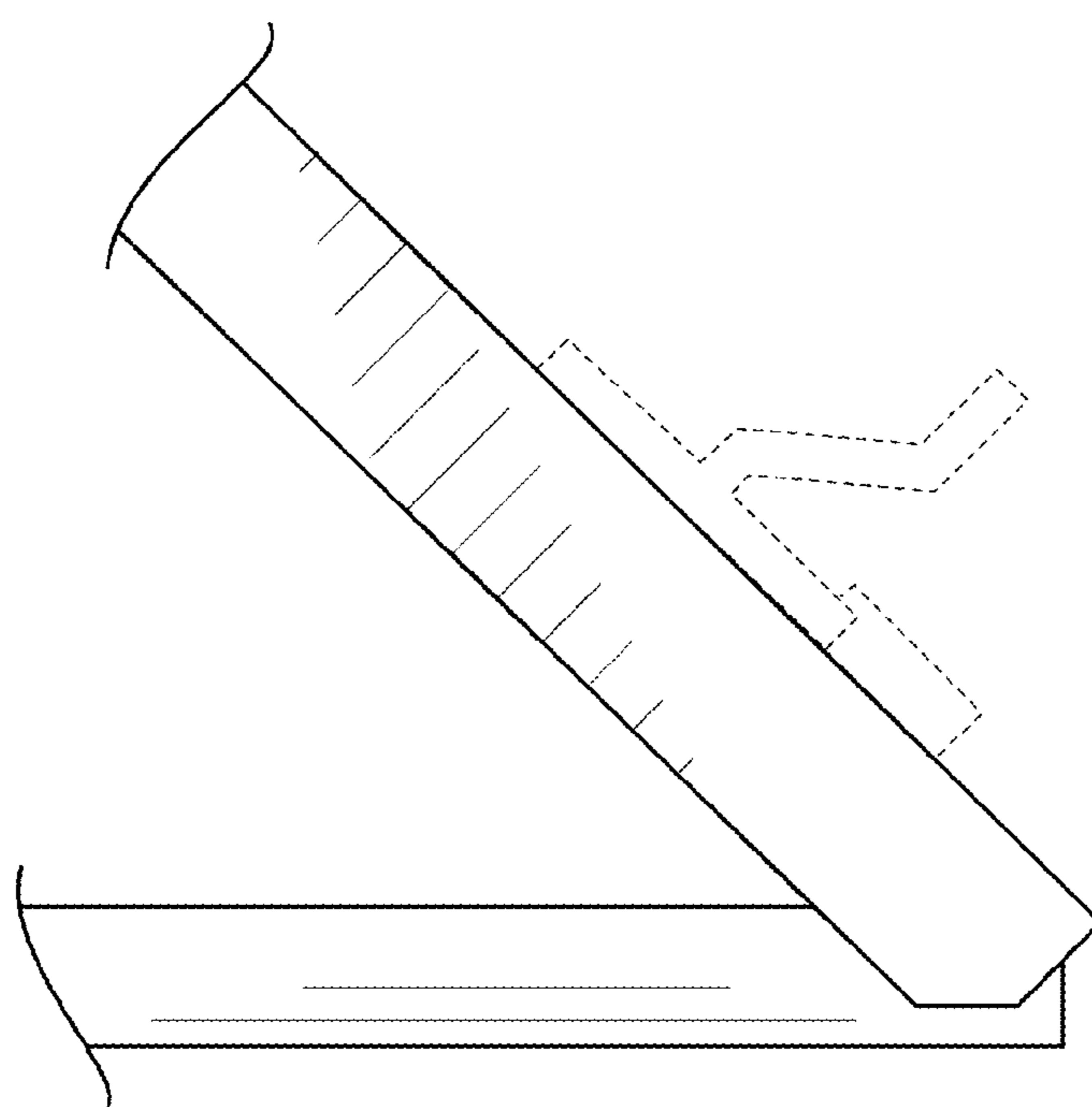


FIG. 9

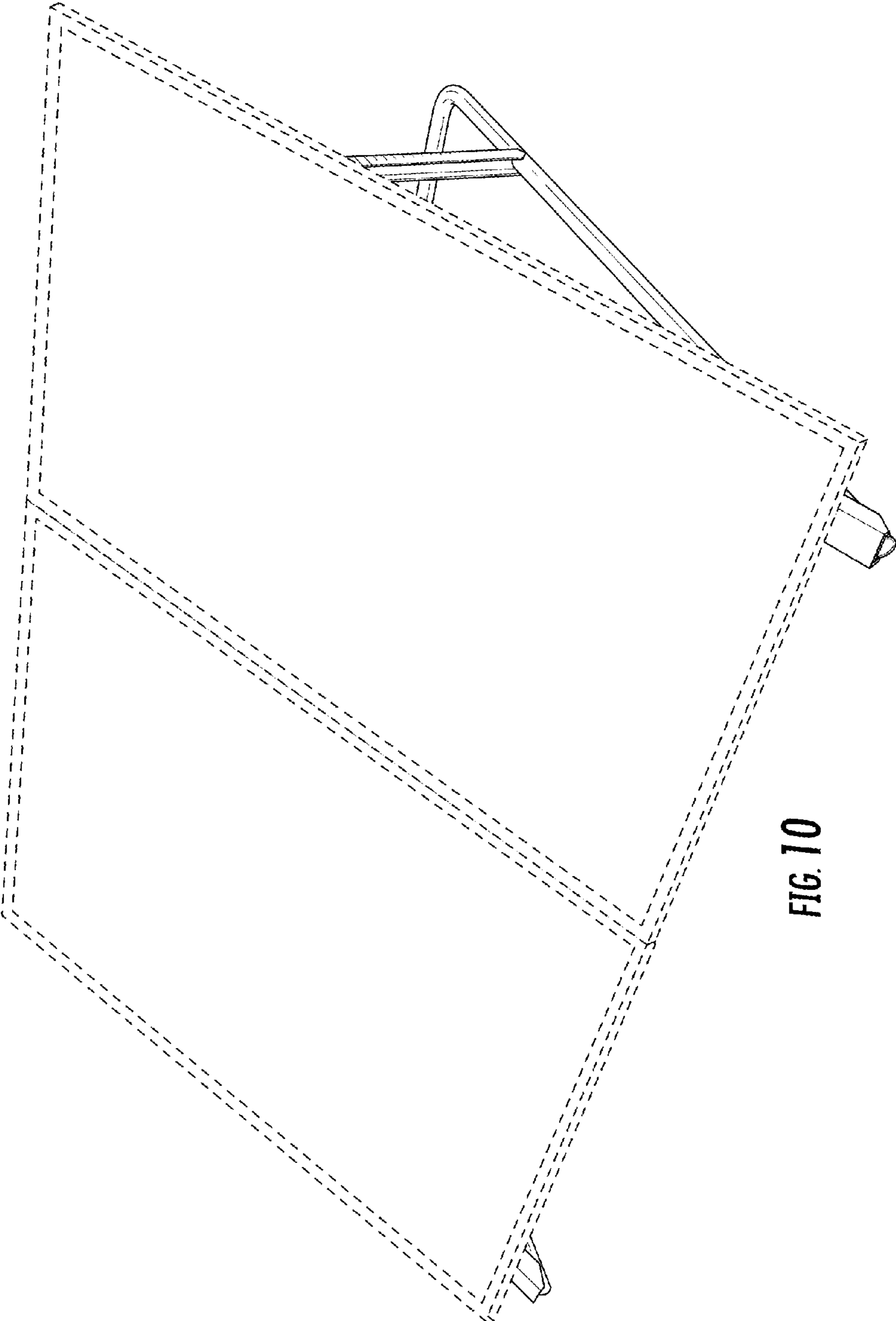


FIG. 10