

US00D699661S

(12) **United States Design Patent**
Lee

(10) **Patent No.:** **US D699,661 S**

(45) **Date of Patent:** **** Feb. 18, 2014**

(54) **WIPER FOR A VEHICLE**

(56) **References Cited**

(71) Applicants: **Dongyang Mechatronics Corp.,**
Incheon (KR); **HS Technology Co.,**
Ltd., Incheon (KR)

U.S. PATENT DOCUMENTS

(72) Inventor: **Jeong Goo Lee,** Seoul (KR)

D680,051	S	*	4/2013	Tolentino et al.	D12/219
D685,713	S	*	7/2013	Wang	D12/219
D686,555	S	*	7/2013	Song et al.	D12/219
D686,556	S	*	7/2013	Song et al.	D12/219
D686,557	S	*	7/2013	Kwon	D12/219
D692,818	S	*	11/2013	Tolentino et al.	D12/219
D692,819	S	*	11/2013	Tolentino et al.	D12/220
2012/0317740	A1	*	12/2012	Yang et al.	15/250.32
2012/0324671	A1	*	12/2012	Pinto et al.	15/250.32
2012/0324672	A1	*	12/2012	Pinto et al.	15/250.48

(73) Assignees: **Dongyang Mechatronics Corp.,**
Incheon (KR); **HS Technology Co.,**
Ltd., Incheon (KR)

* cited by examiner

(**) Term: **14 Years**

Primary Examiner — Katrina A Betton

(21) Appl. No.: **29/444,696**

(74) *Attorney, Agent, or Firm* — Frommer Lawrence & Haug LLP; Ronald R Santucci

(22) Filed: **Feb. 1, 2013**

(57) **CLAIM**

(30) **Foreign Application Priority Data**

The ornamental design for a wiper for a vehicle, as shown and described.

Oct. 16, 2012 (KR) 30-2012-0049160

DESCRIPTION

(51) **LOC (10) Cl.** **12-06**

FIG. 1 is a top perspective view of a wiper for vehicle according to my invention;

(52) **U.S. Cl.**

FIG. 2 is a front elevation view thereof;

USPC **D12/219**

FIG. 3 is a rear elevation view thereof;

(58) **Field of Classification Search**

FIG. 4 is a left side elevation view thereof;

USPC D12/219-220; 15/246, 247, 250.001,

FIG. 5 is a right side elevation view thereof;

15/250.4, 250.361, 250.19, 250.48,

FIG. 6 is a top plan view thereof; and,

15/250.03, 250.31-250.33, 250.351,

FIG. 7 is bottom plan view thereof.

15/250.38, 250.201, 250.451, 250.458,

The broken lines in the several views are included for the purpose of illustrating unclaimed subject matter and form no part of the claimed design.

15/250.04, 250.07, 250.44

See application file for complete search history.

1 Claim, 4 Drawing Sheets

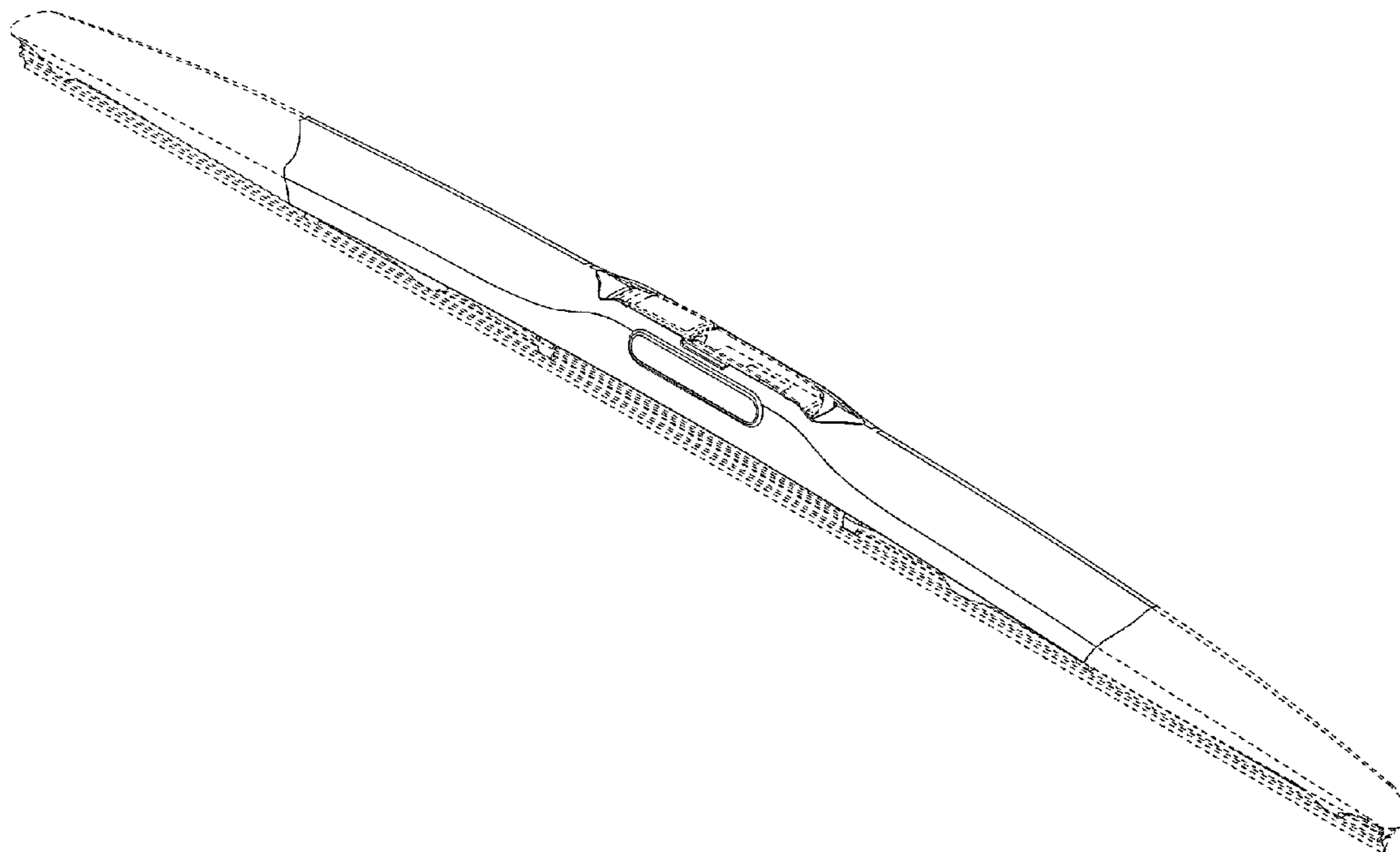


FIG. 1

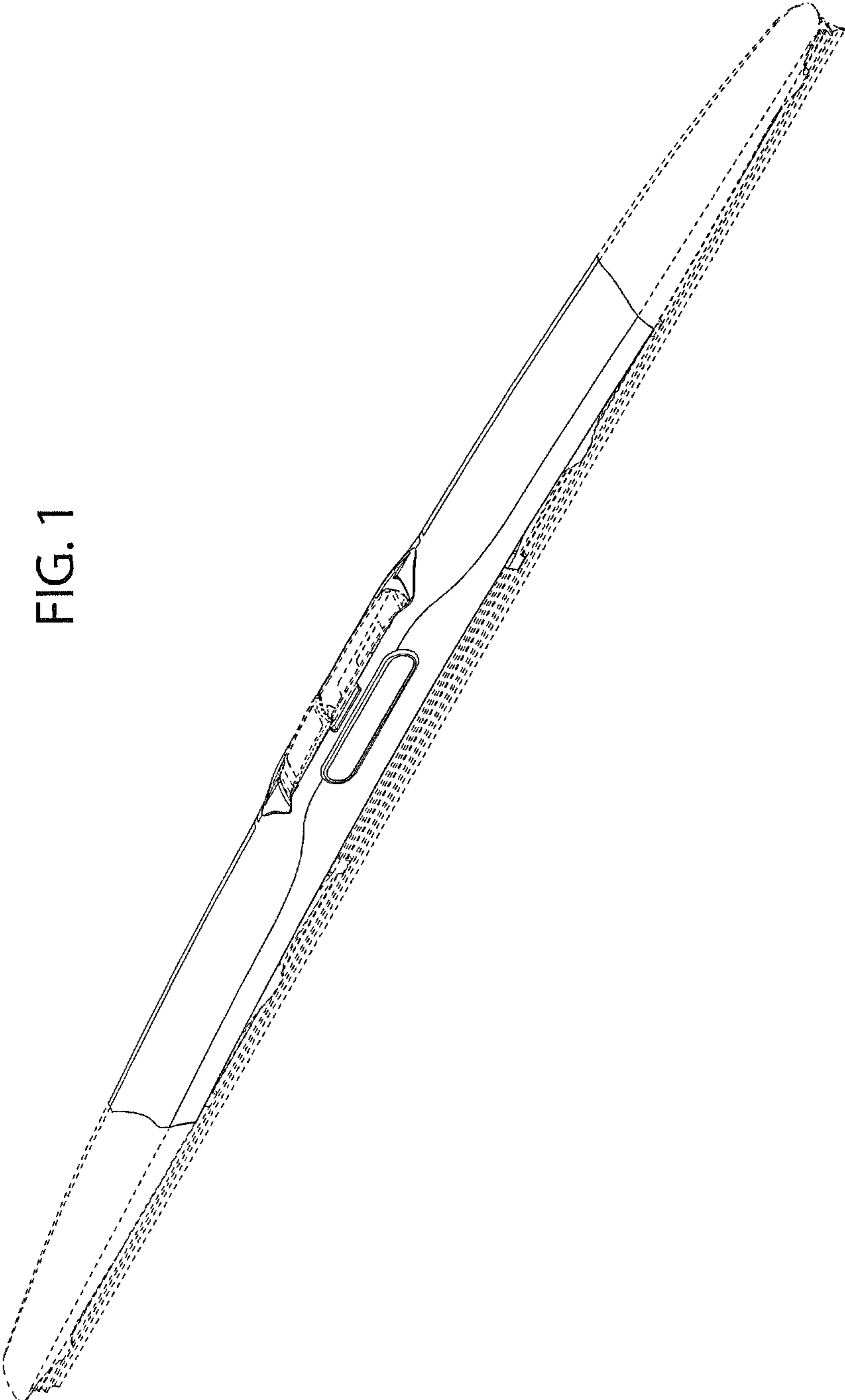


FIG. 2

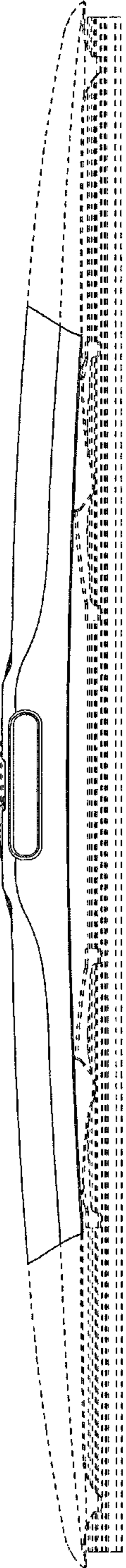


FIG. 3

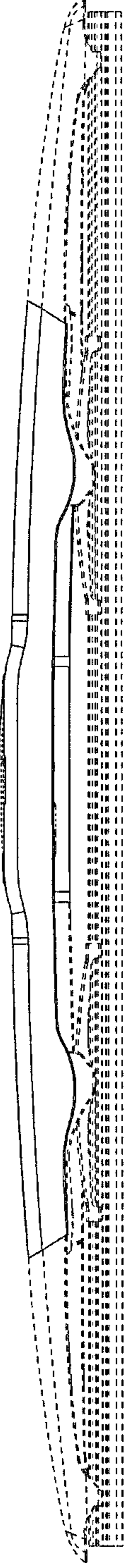


FIG. 4

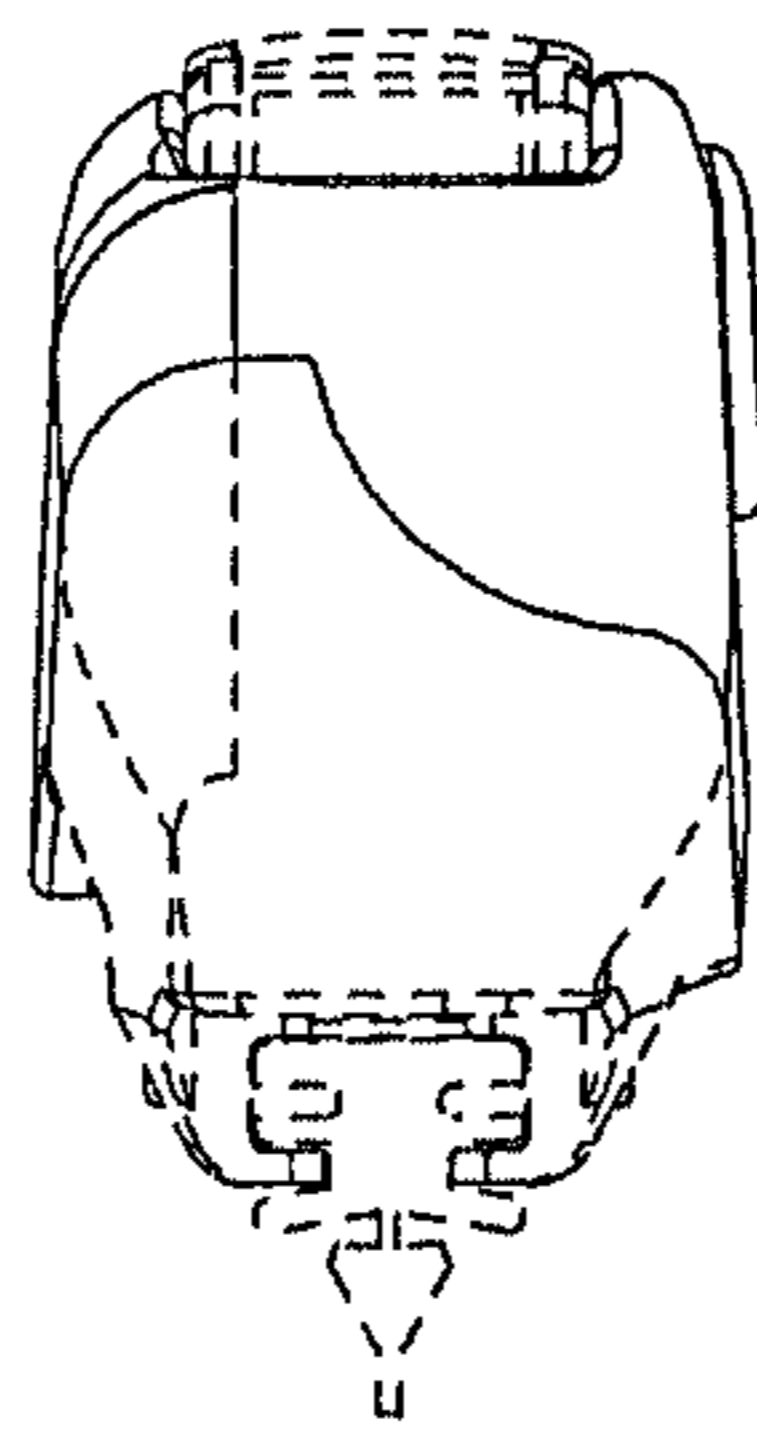


FIG. 5

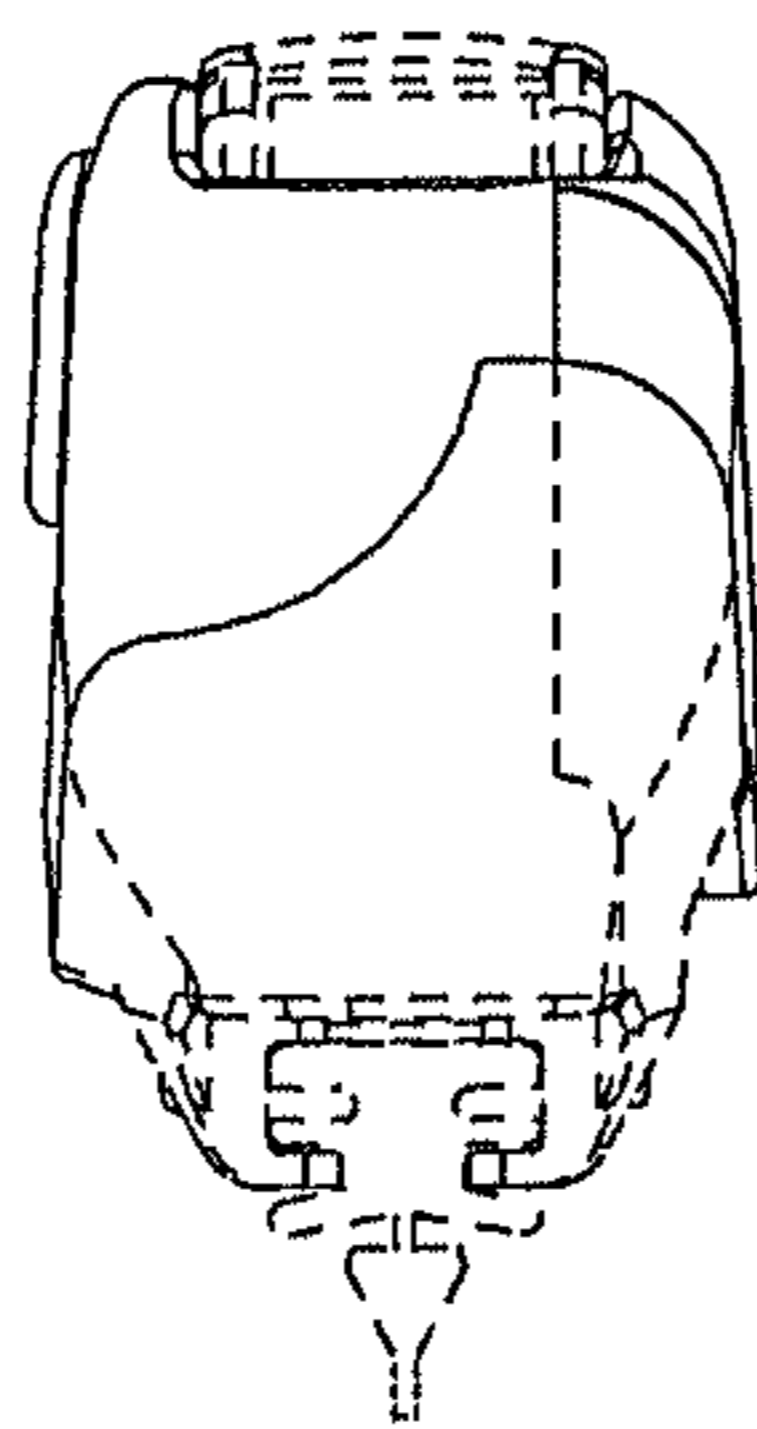


FIG. 6

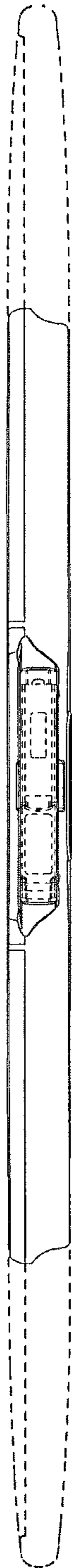


FIG. 7

