



US00D699654S

(12) **United States Design Patent**
Okue et al.

(10) **Patent No.:** **US D699,654 S**
(45) **Date of Patent:** **** Feb. 18, 2014**

(54) **DOOR PANEL FOR AN AUTOMOBILE**

(75) Inventors: **Masaki Okue**, Toyota (JP); **Akira Kubota**, Toyota (JP)
(73) Assignee: **Toyota Jidosha Kabushiki Kaisha** (JP)

(**) Term: **14 Years**

(21) Appl. No.: **29/429,235**

(22) Filed: **Aug. 8, 2012**

(51) **LOC (10) Cl.** **12-16**

(52) **U.S. Cl.**
USPC **D12/196**

(58) **Field of Classification Search**
USPC D12/196, 90-92, 86; 296/181.1, 181.5
See application file for complete search history.

(56) **References Cited**

U.S. PATENT DOCUMENTS

| | | | | |
|--------------|---------|-----------------|-------|---------|
| D633,839 S * | 3/2011 | Matei et al. | | D12/196 |
| D654,418 S * | 2/2012 | Hakamata et al. | | D12/196 |
| D655,656 S * | 3/2012 | Kubo et al. | | D12/196 |
| D671,471 S * | 11/2012 | Yamada et al. | | D12/196 |
| D676,366 S * | 2/2013 | Yamada et al. | | D12/196 |
| D686,553 S * | 7/2013 | Kwon et al. | | D12/196 |

OTHER PUBLICATIONS

Nissan, Nissan Qashqai 2010, NetCarShow.com, http://www.netcarshow.com/nissan/2010-qashqai/1024x768/wallpaper_0c.htm, available at least as early as Aug. 8, 2011.
Mitsubishi, Mitsubishi Outlander SE, NetCarShow.com, http://www.netcarshow.com/mitsubishi/2008-outlander_se/1024x768/wallpaper_08.htm, available in 2009.

* cited by examiner

Primary Examiner — Melody Brown

(74) *Attorney, Agent, or Firm* — SAIDMAN DesignLaw Group

(57) **CLAIM**

The ornamental design for a door panel for an automobile, as shown and described.

DESCRIPTION

FIG. 1 is a front perspective view of a door panel for an automobile showing our new design;
FIG. 2 is a rear perspective view thereof;
FIG. 3 is a front view thereof;
FIG. 4 is a rear view thereof;
FIG. 5 is a top view thereof;
FIG. 6 is a bottom view thereof;
FIG. 7 is a right side view thereof; and,
FIG. 8 is a left side view thereof.

1 Claim, 4 Drawing Sheets



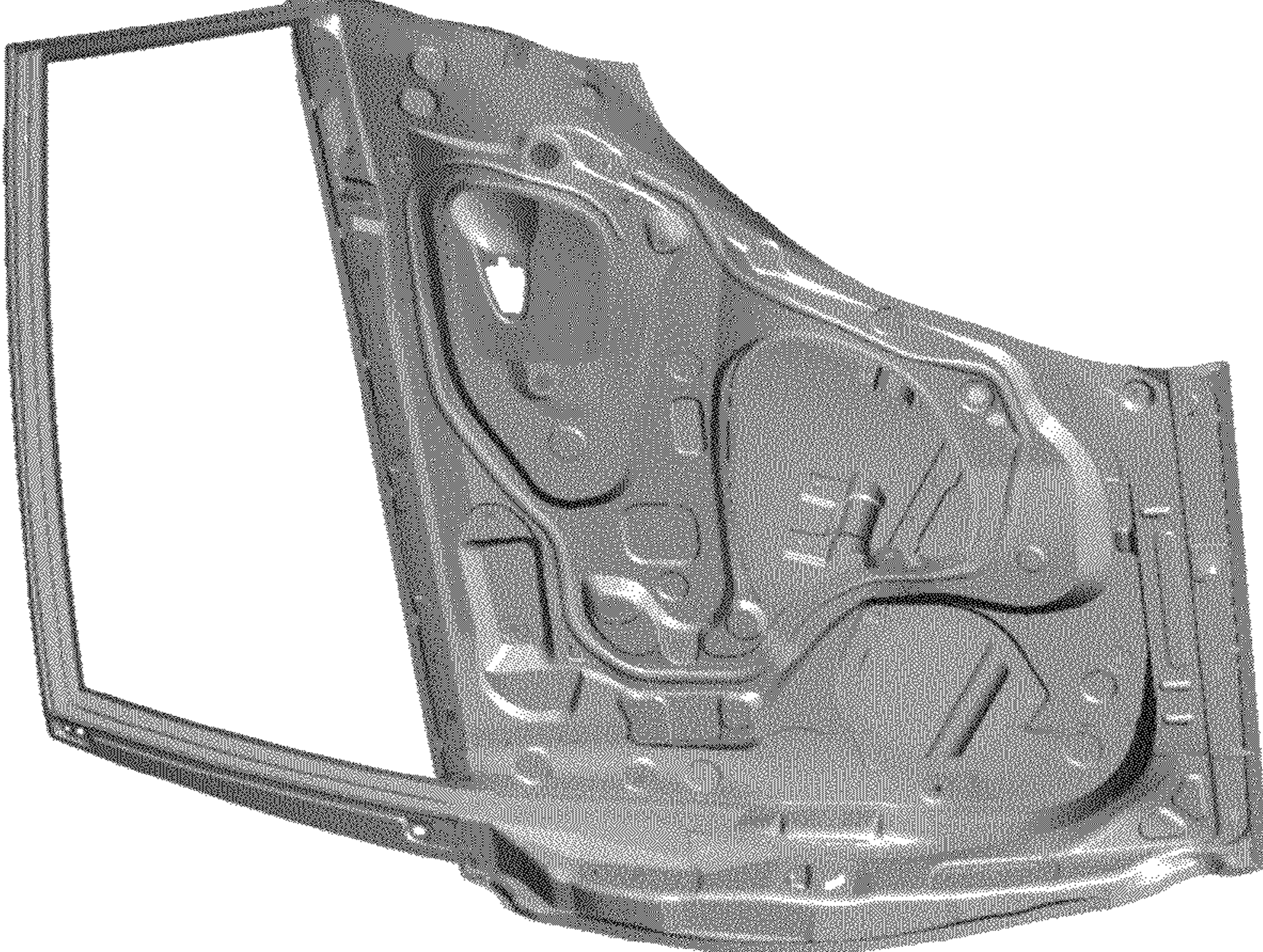


FIG. 2



FIG. 1



FIG. 4

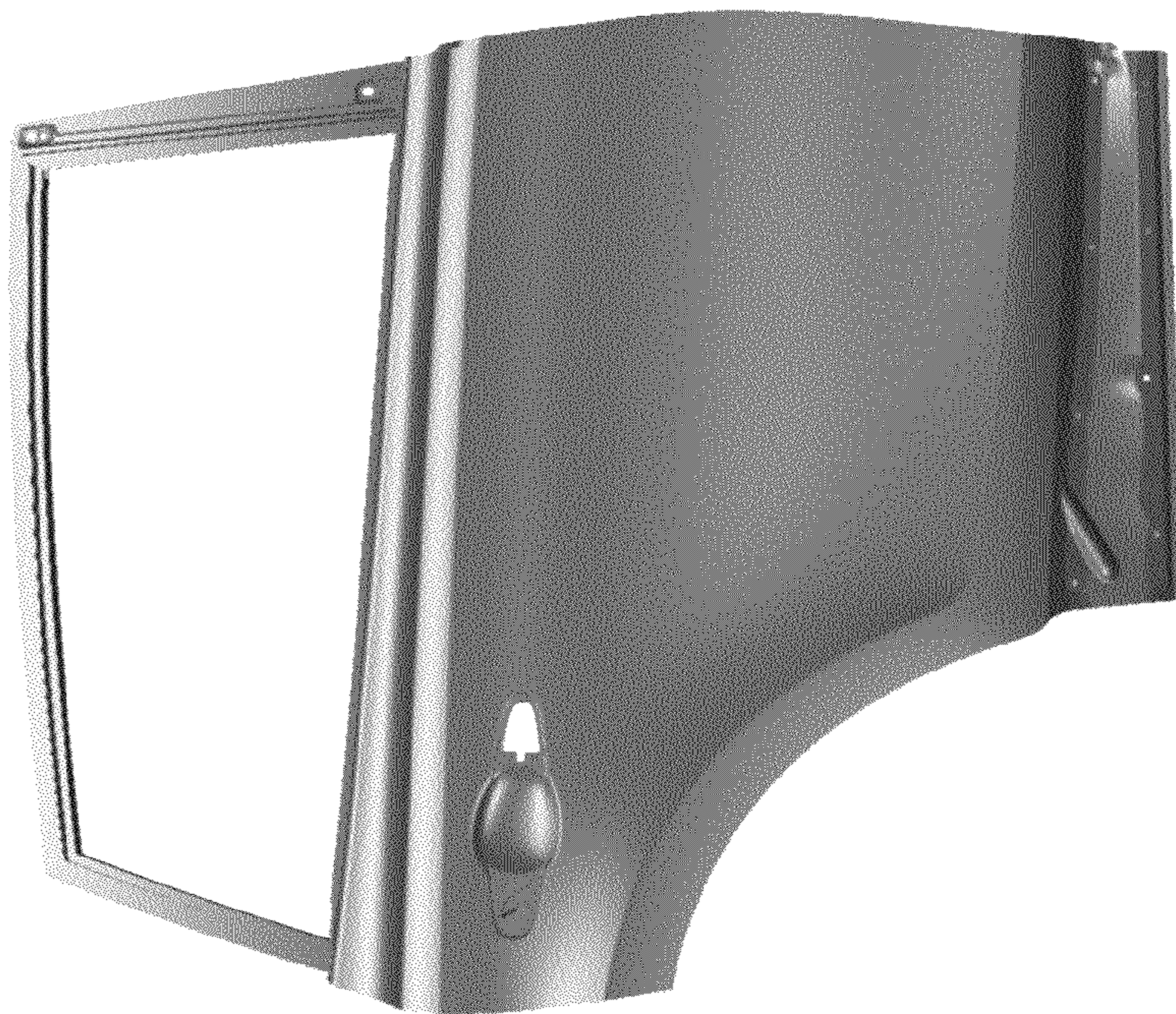


FIG. 3

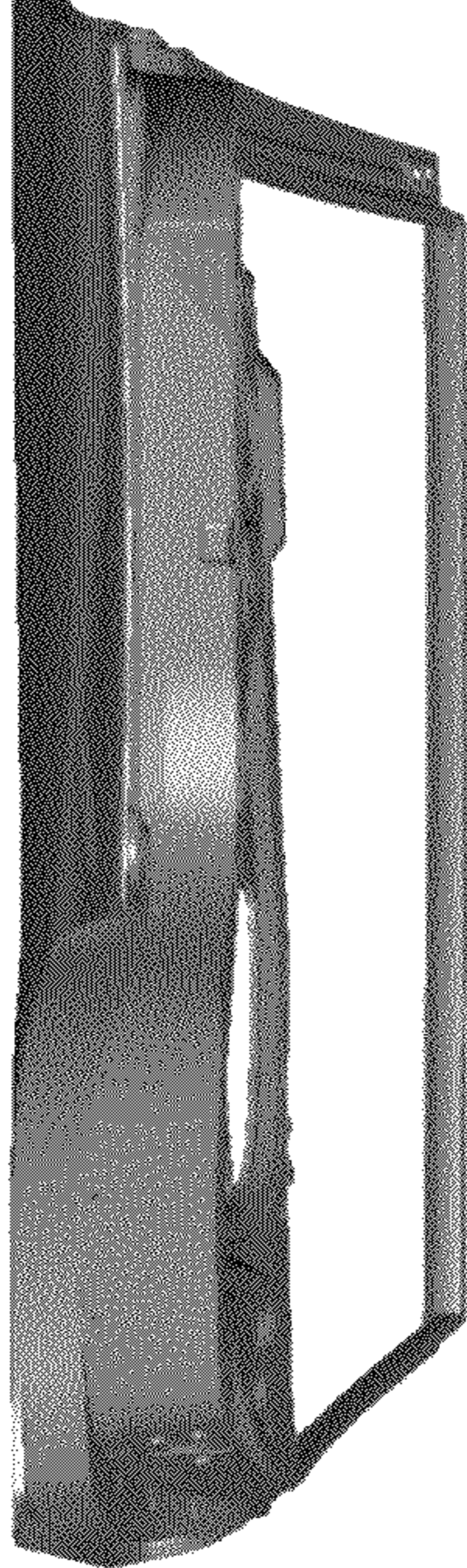


FIG. 6

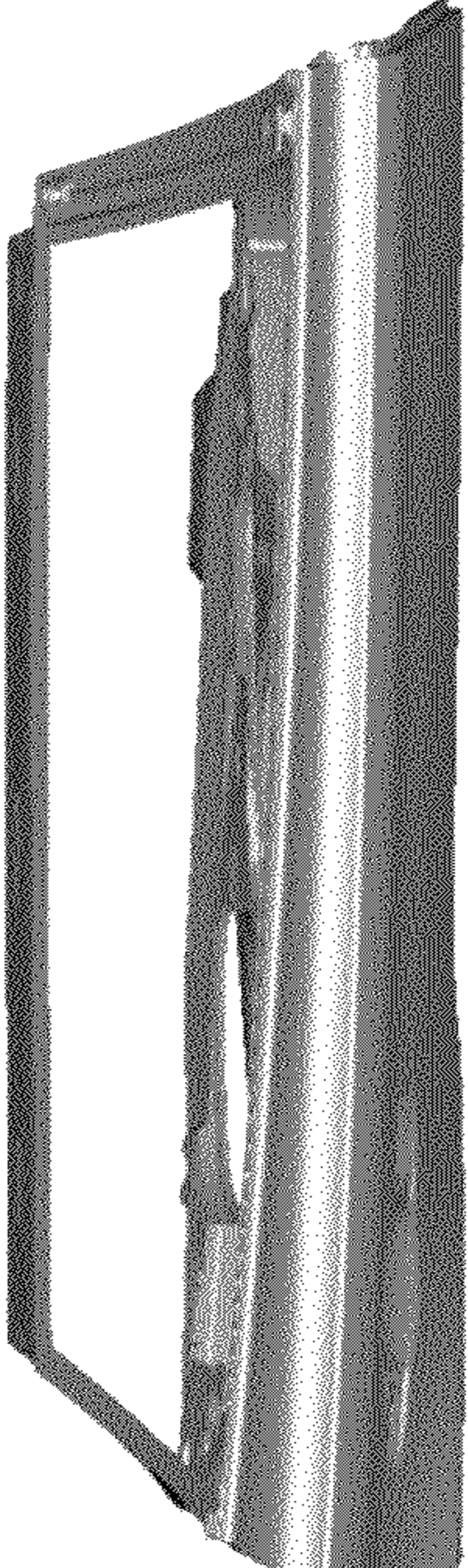


FIG. 5

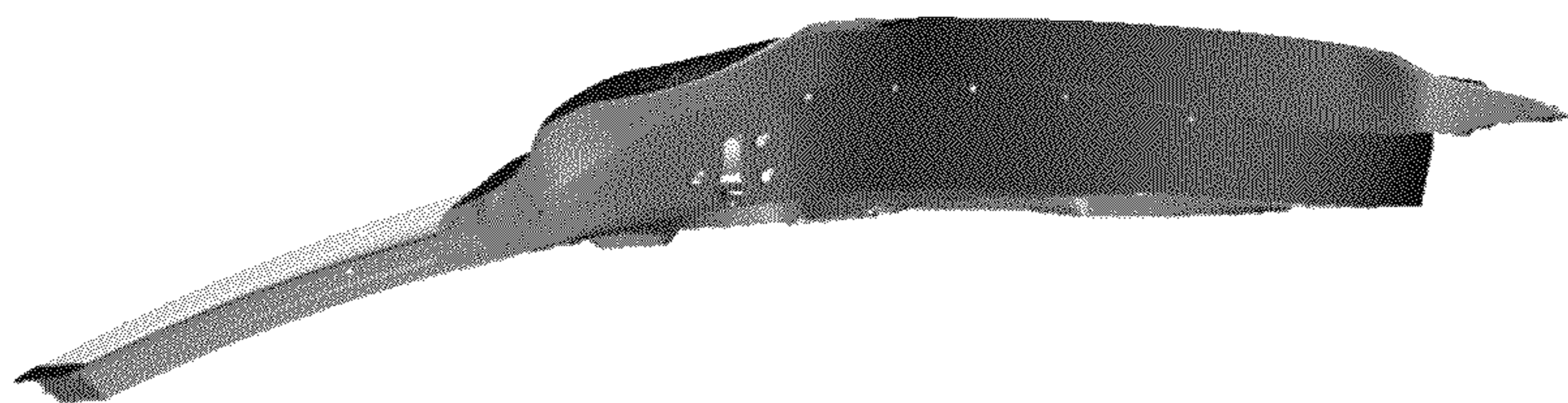


FIG. 8

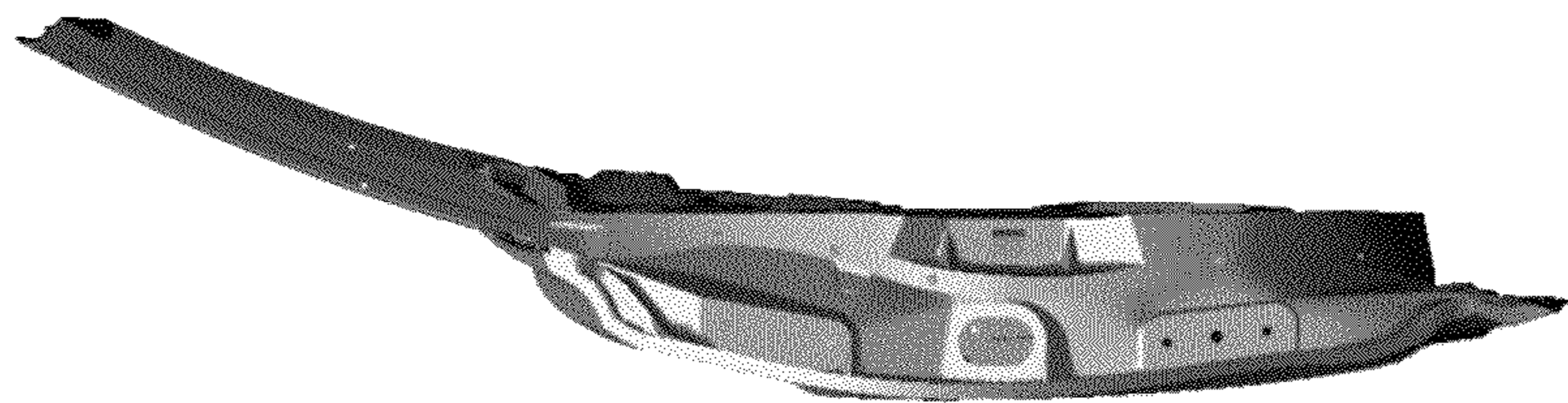


FIG. 7