

US00D699653S

(12) **United States Design Patent**
Markstaller et al.

(10) **Patent No.:** **US D699,653 S**

(45) **Date of Patent:** **** Feb. 18, 2014**

(54) **SIDE MIRROR FOR A VEHICLE**

(71) Applicant: **Daimler AG**, Stuttgart (DE)

(72) Inventors: **Matthew Markstaller**, West Linn, OR (US); **Dinesh Madugundi**, Portland, OR (US)

(73) Assignee: **Daimler AG**, Stuttgart (DE)

(**) Term: **14 Years**

(21) Appl. No.: **29/456,130**

(22) Filed: **May 29, 2013**

(51) **LOC (10) Cl.** **12-16**

(52) **U.S. Cl.**
USPC **D12/187**

(58) **Field of Classification Search**
USPC D12/187-189, 96; D6/300, 309;
359/838, 841, 843, 844, 868, 871, 872,
359/604, 881, 514, 866; 248/479-483,
248/475.1

See application file for complete search history.

(56) **References Cited**

U.S. PATENT DOCUMENTS

D575,709 S *	8/2008	Scott	D12/187
D579,840 S *	11/2008	Scott	D12/187
D580,839 S *	11/2008	Moran	D12/187
D581,334 S *	11/2008	Courbon et al.	D12/187
D597,007 S *	7/2009	Ferman	D12/187
D607,389 S *	1/2010	Brester	D12/187
D609,618 S *	2/2010	Chen	D12/187

D631,804 S *	2/2011	Chen	D12/187
D633,424 S *	3/2011	Enz	D12/187
D636,311 S *	4/2011	Faghihzadeh	D12/187

* cited by examiner

Primary Examiner — Katrina A Betton

(74) *Attorney, Agent, or Firm* — Crowell & Moring LLP

(57) **CLAIM**

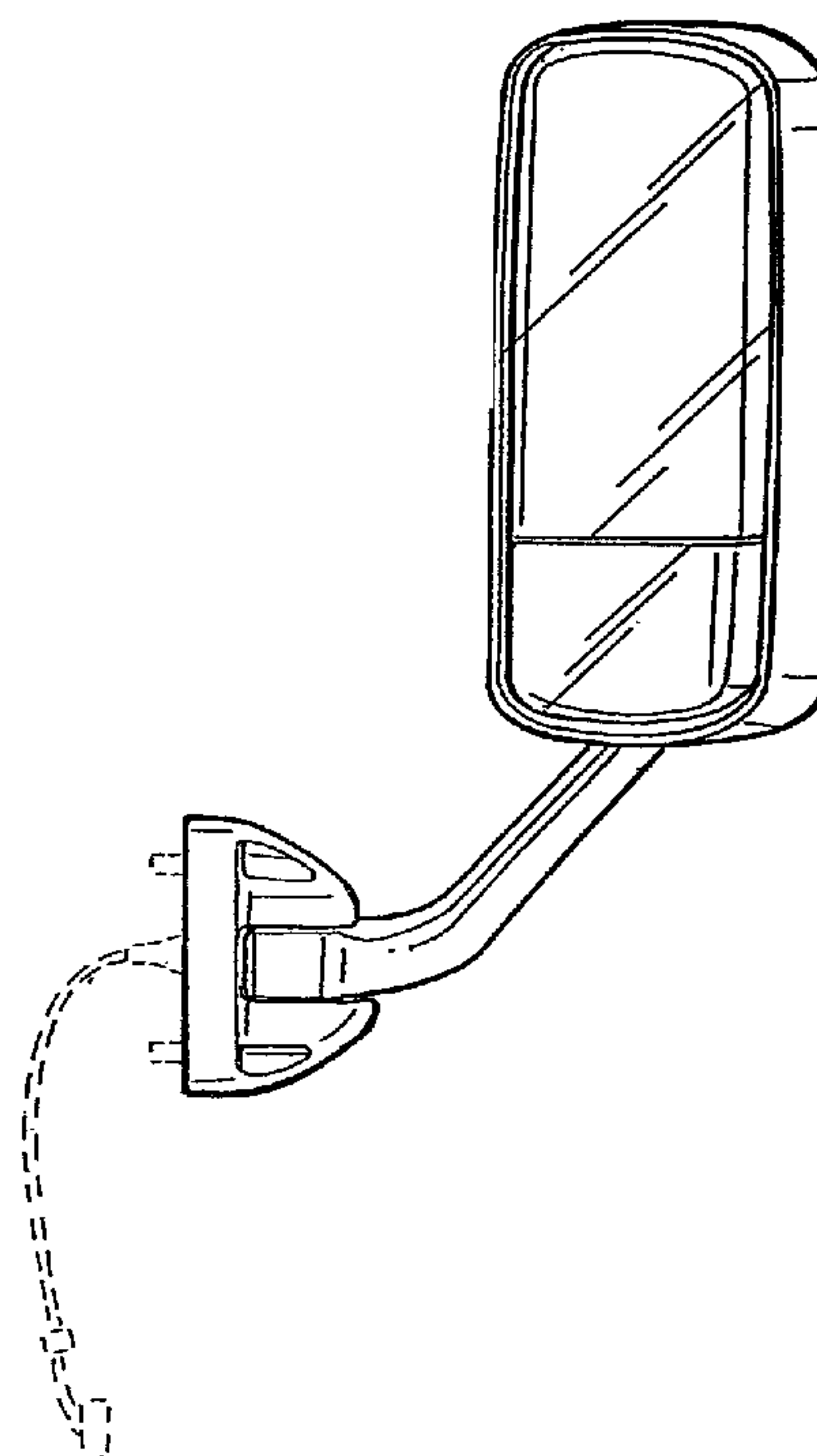
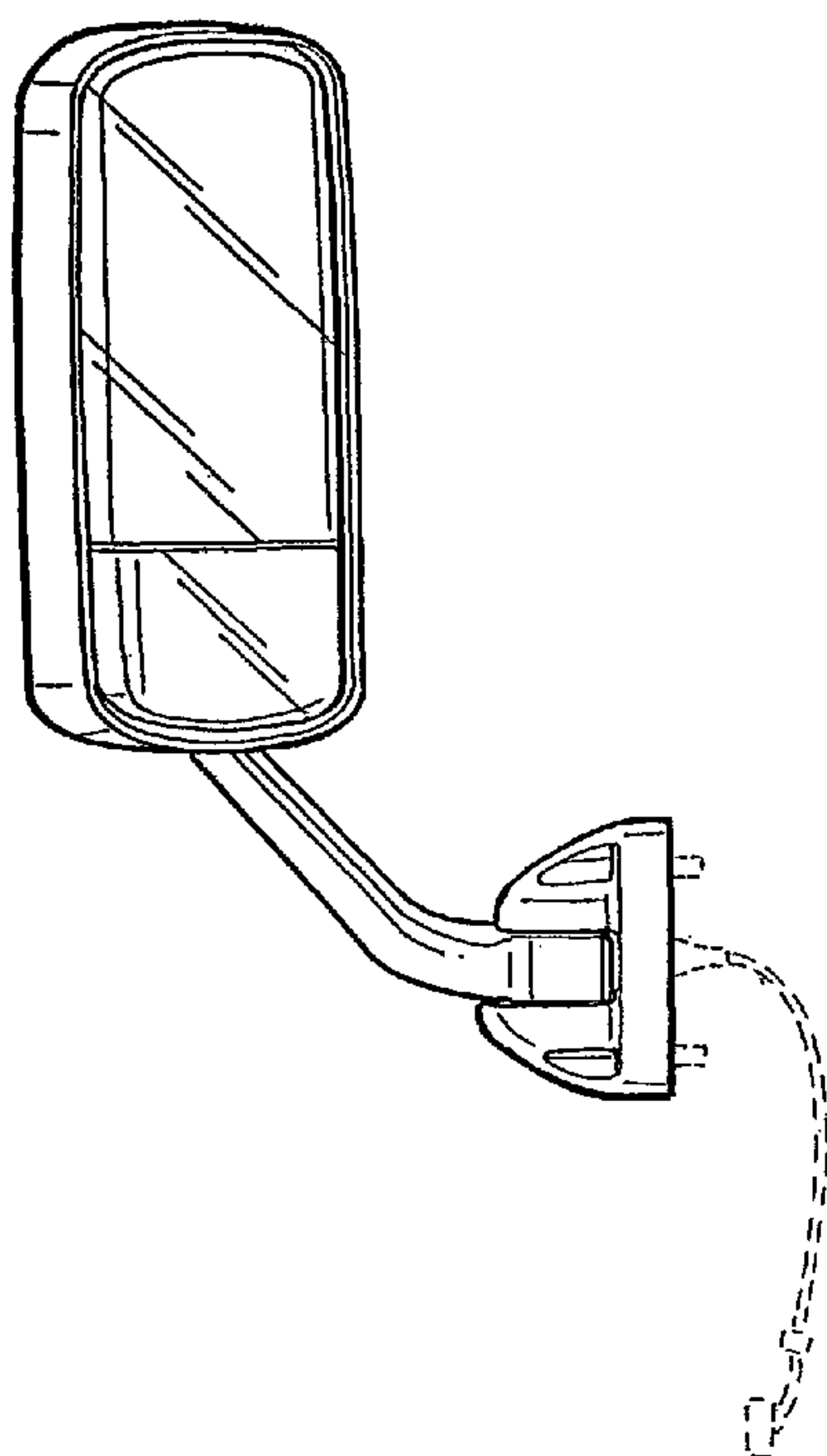
The ornamental design for a side mirror for a vehicle, as shown and described.

DESCRIPTION

FIG. 1 is a front perspective view of a first embodiment of a side mirror for a vehicle according to the design;
 FIG. 2 is a rear perspective view thereof;
 FIG. 3 is a front view thereof;
 FIG. 4 is a rear view thereof;
 FIG. 5 is a left side view thereof;
 FIG. 6 is a right side view thereof;
 FIG. 7 is a top view thereof; and
 FIG. 8 is a bottom view thereof.
 FIG. 9 is a front perspective view of a second embodiment of the side mirror for a vehicle according to the design;
 FIG. 10 is a rear perspective view thereof;
 FIG. 11 is a front view thereof;
 FIG. 12 is a rear view thereof;
 FIG. 13 is a right side view thereof;
 FIG. 14 is a left side view thereof;
 FIG. 15 is a top view thereof; and
 FIG. 16 is a bottom view thereof.

In the drawings, the broken lines depict portions of the article that form no part of the claimed design.

1 Claim, 4 Drawing Sheets



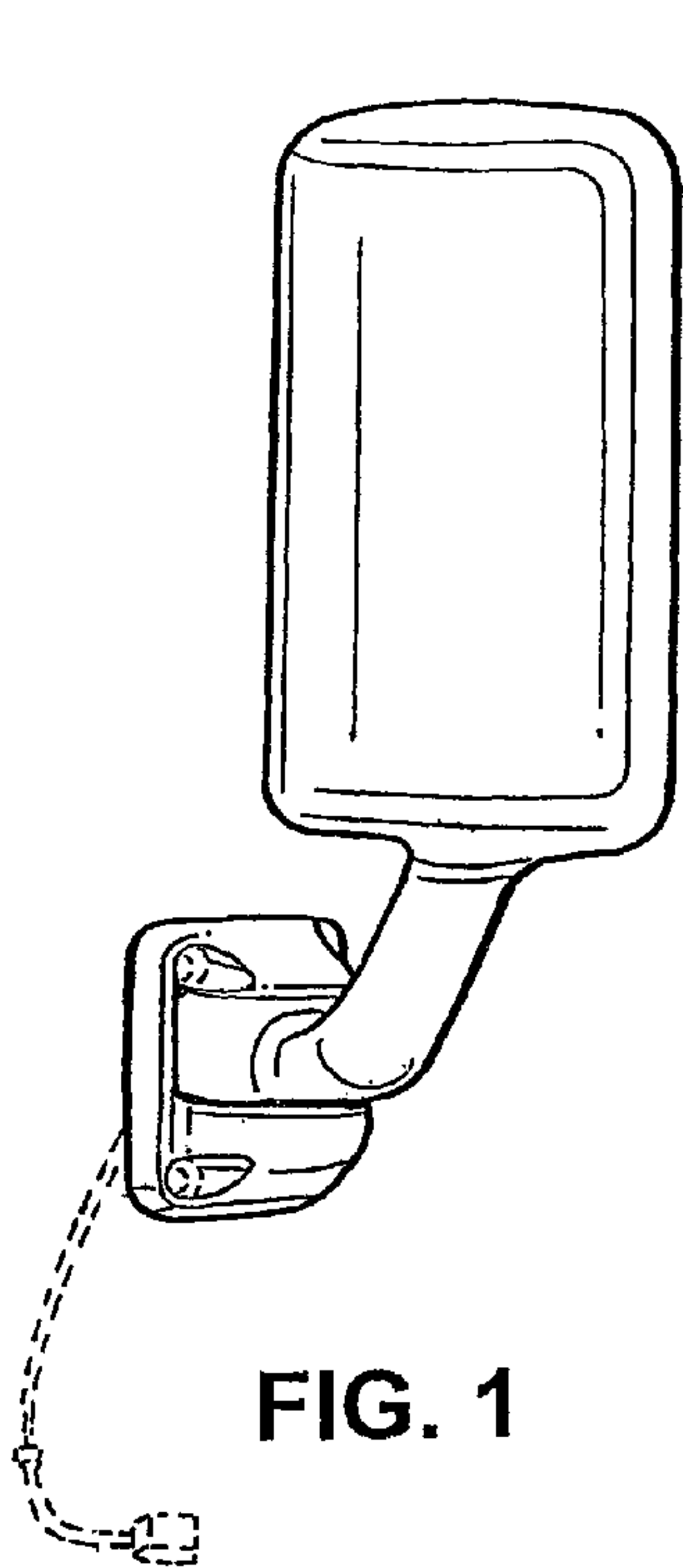


FIG. 1

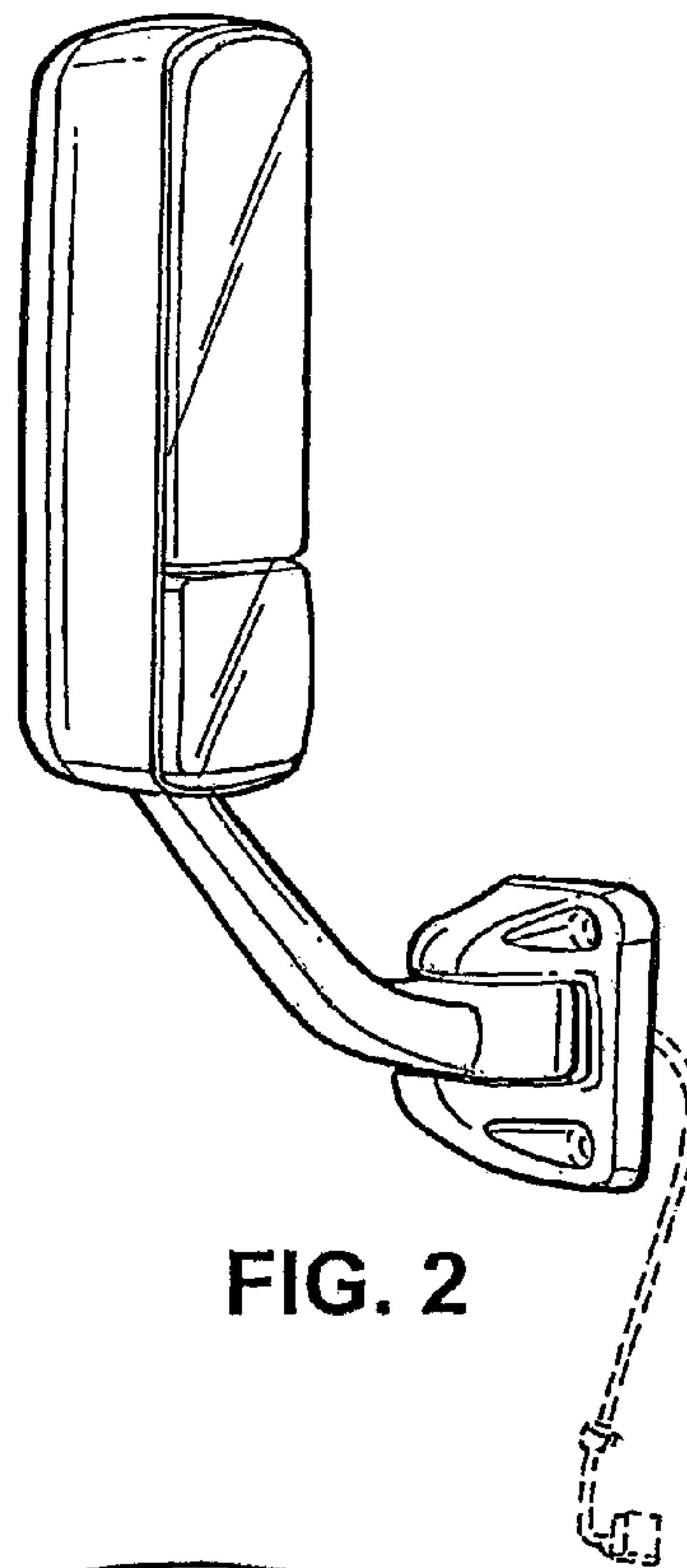


FIG. 2

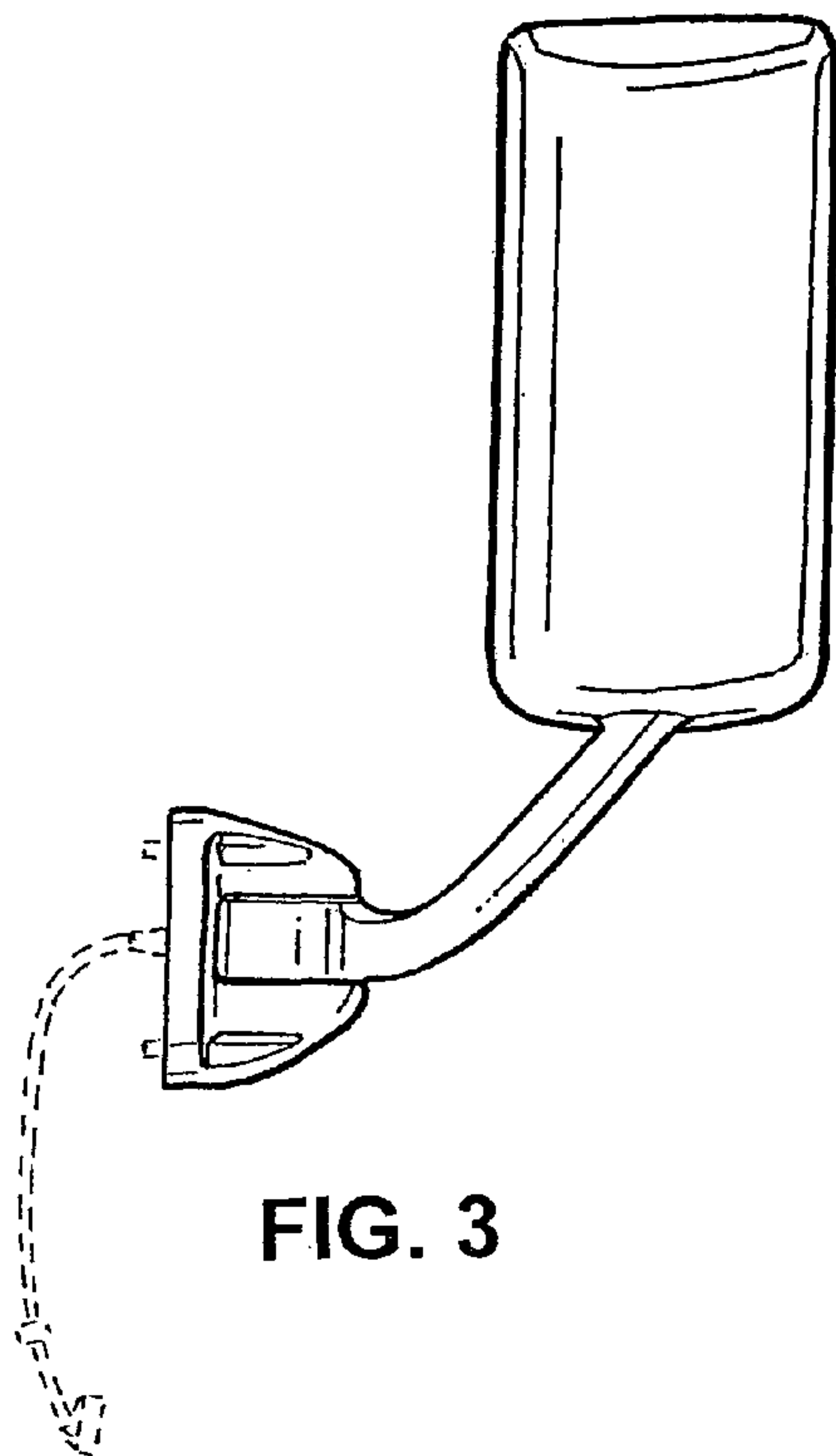


FIG. 3

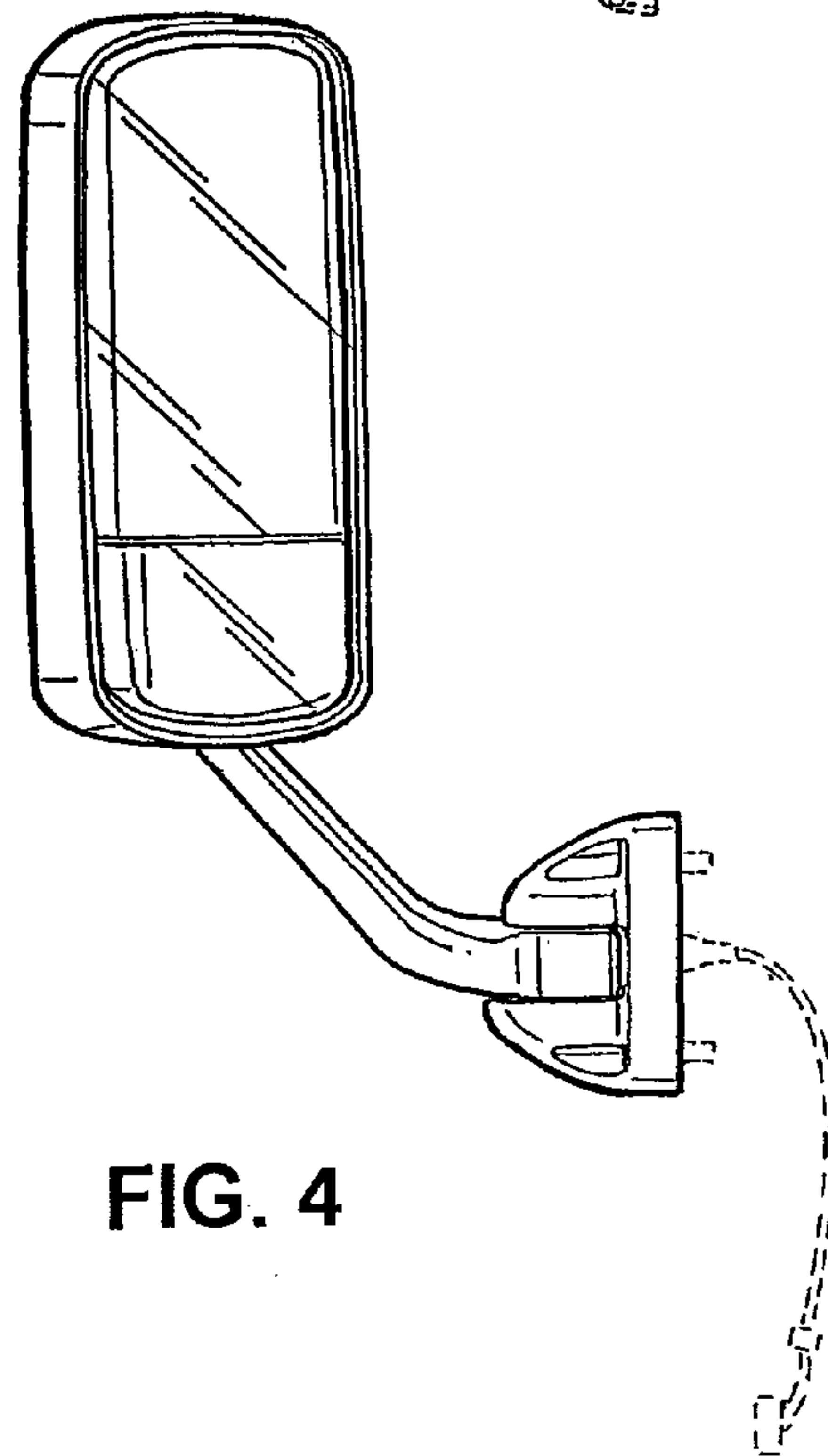


FIG. 4

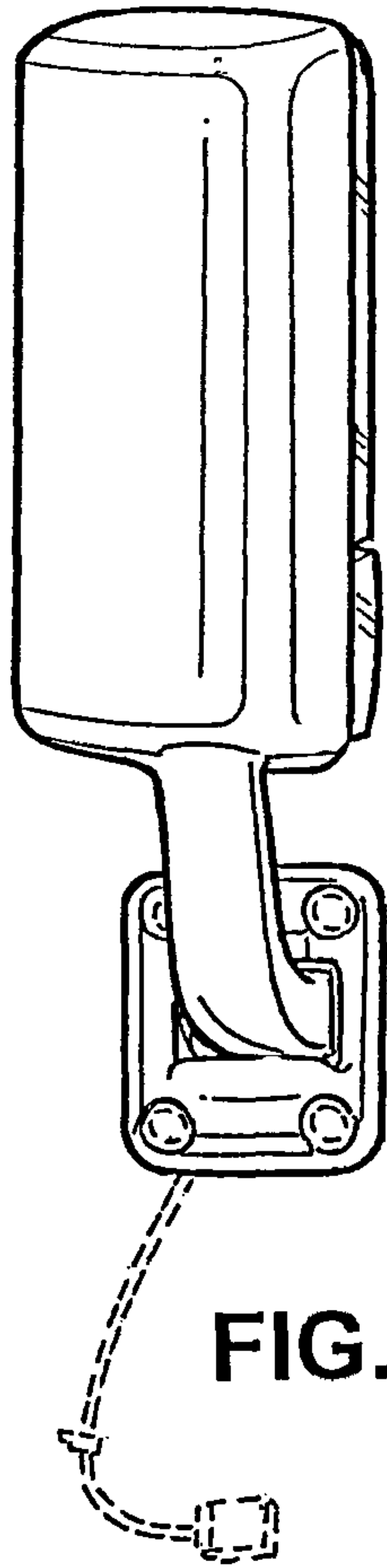


FIG. 5

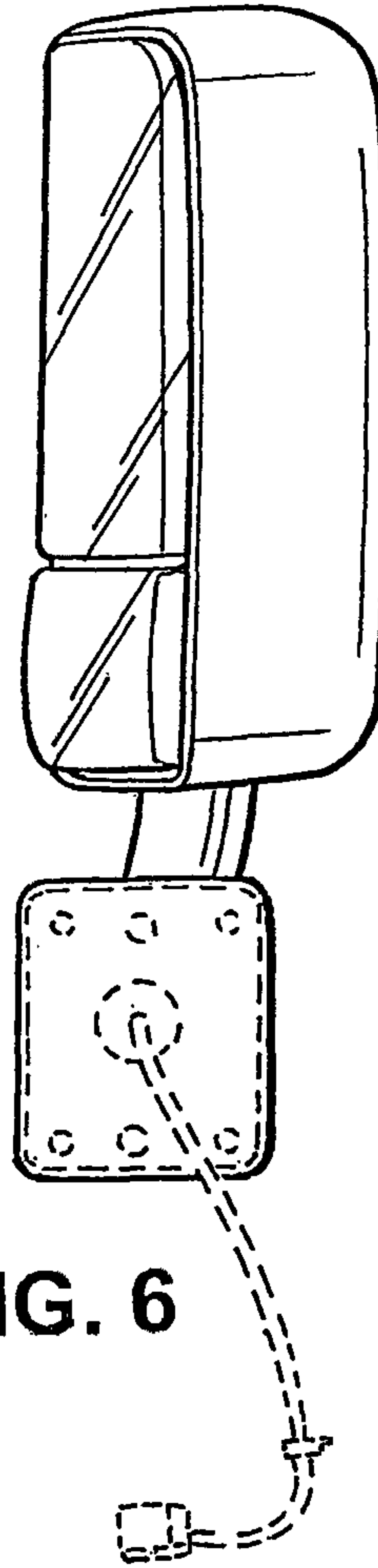


FIG. 6

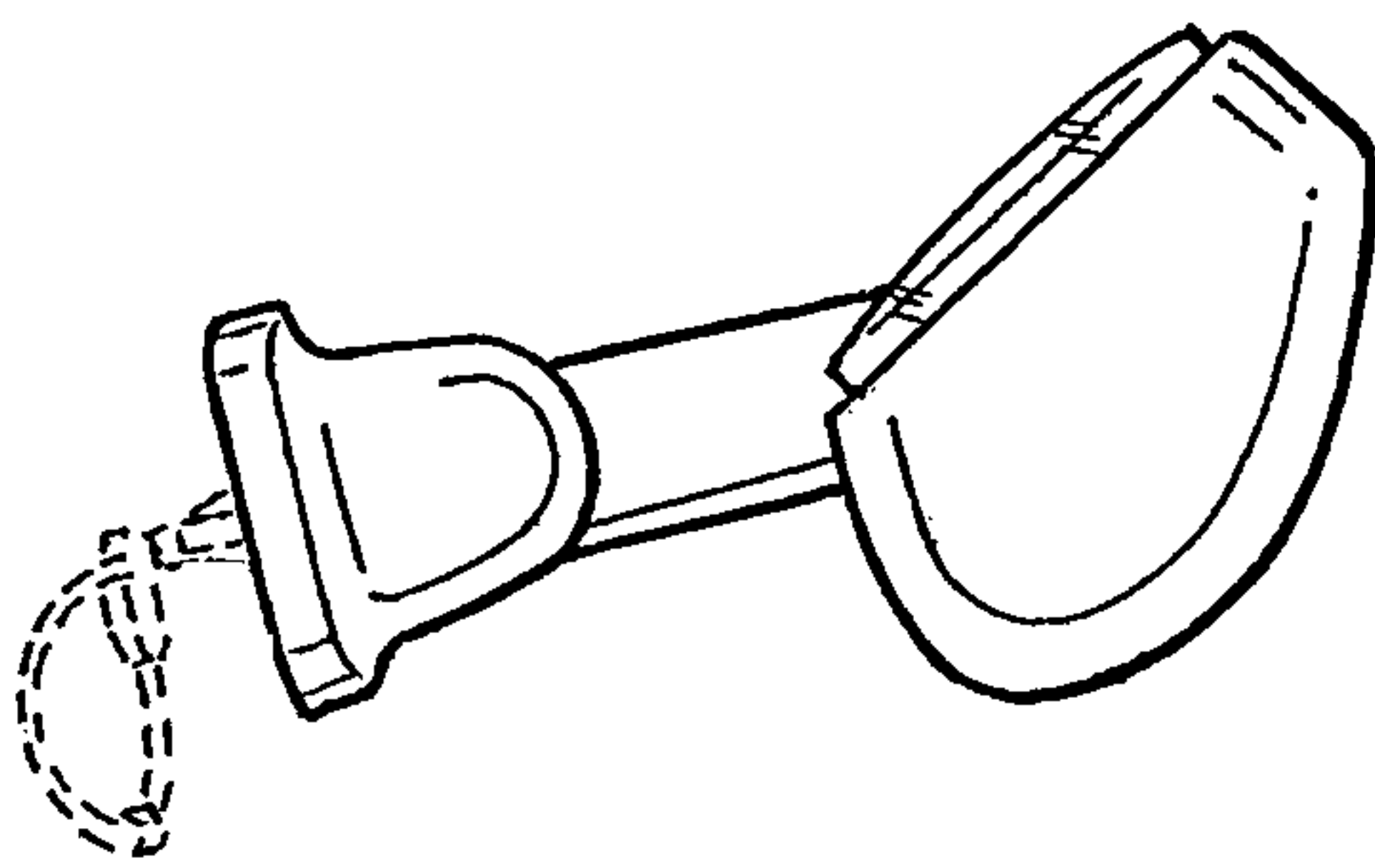


FIG. 7

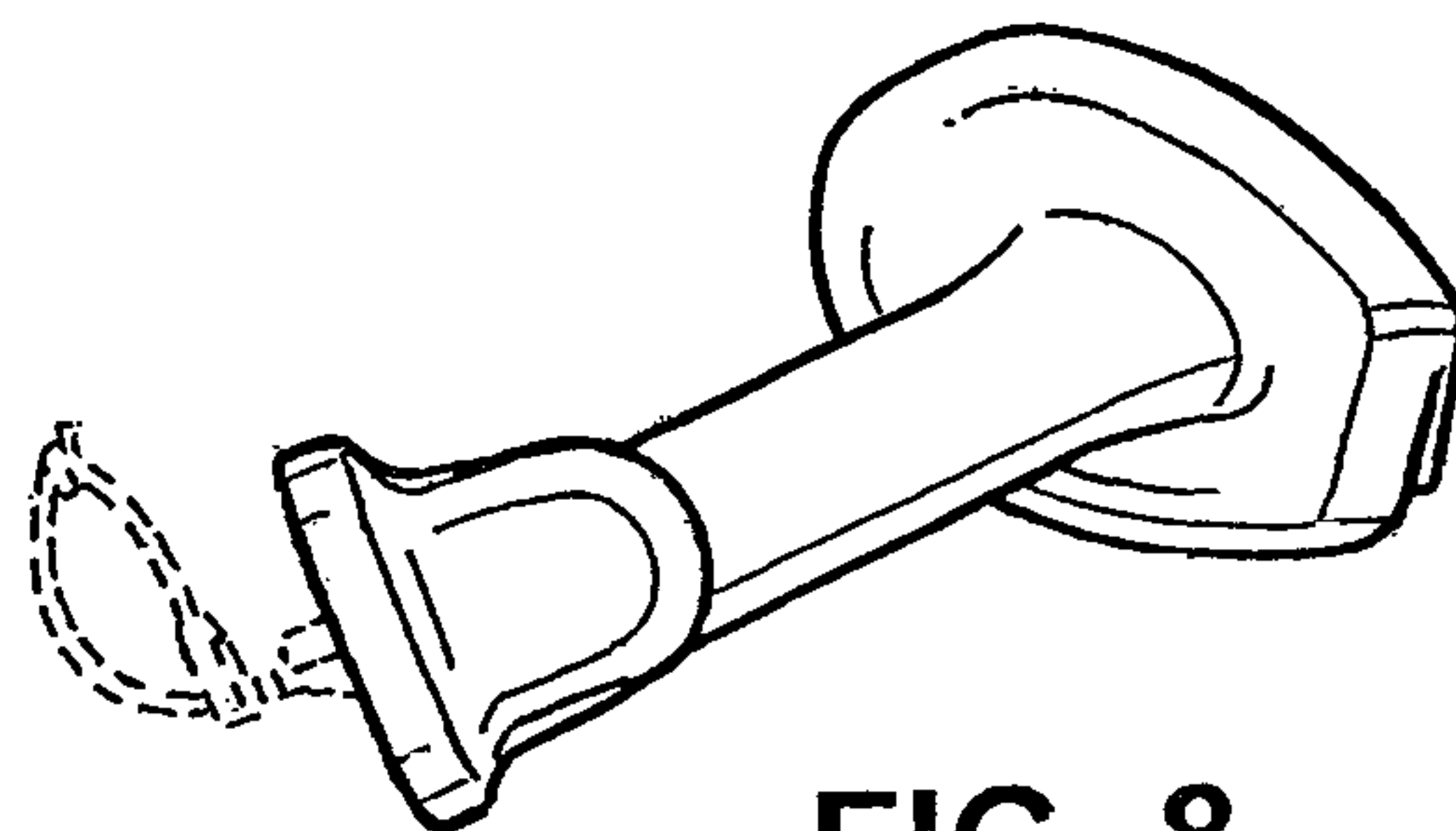


FIG. 8

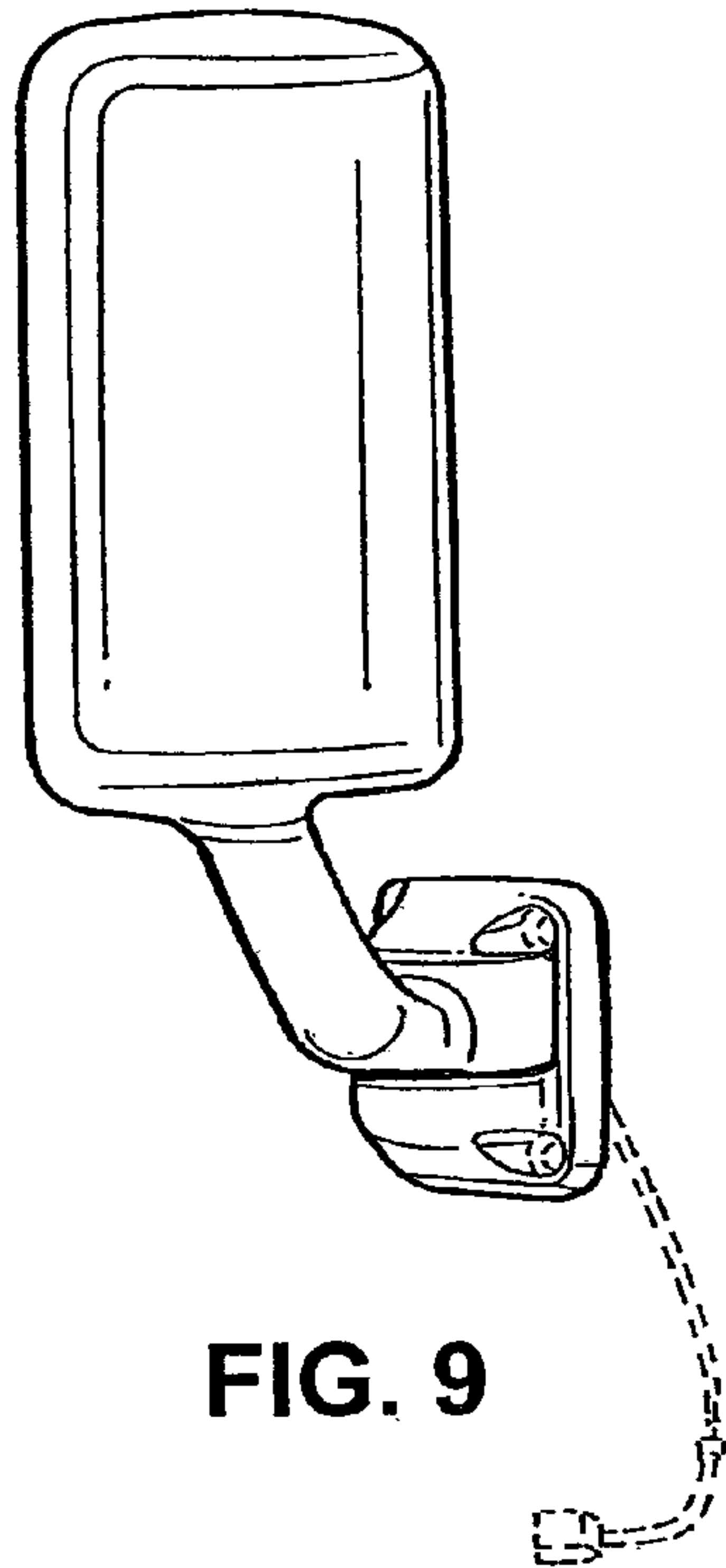


FIG. 9

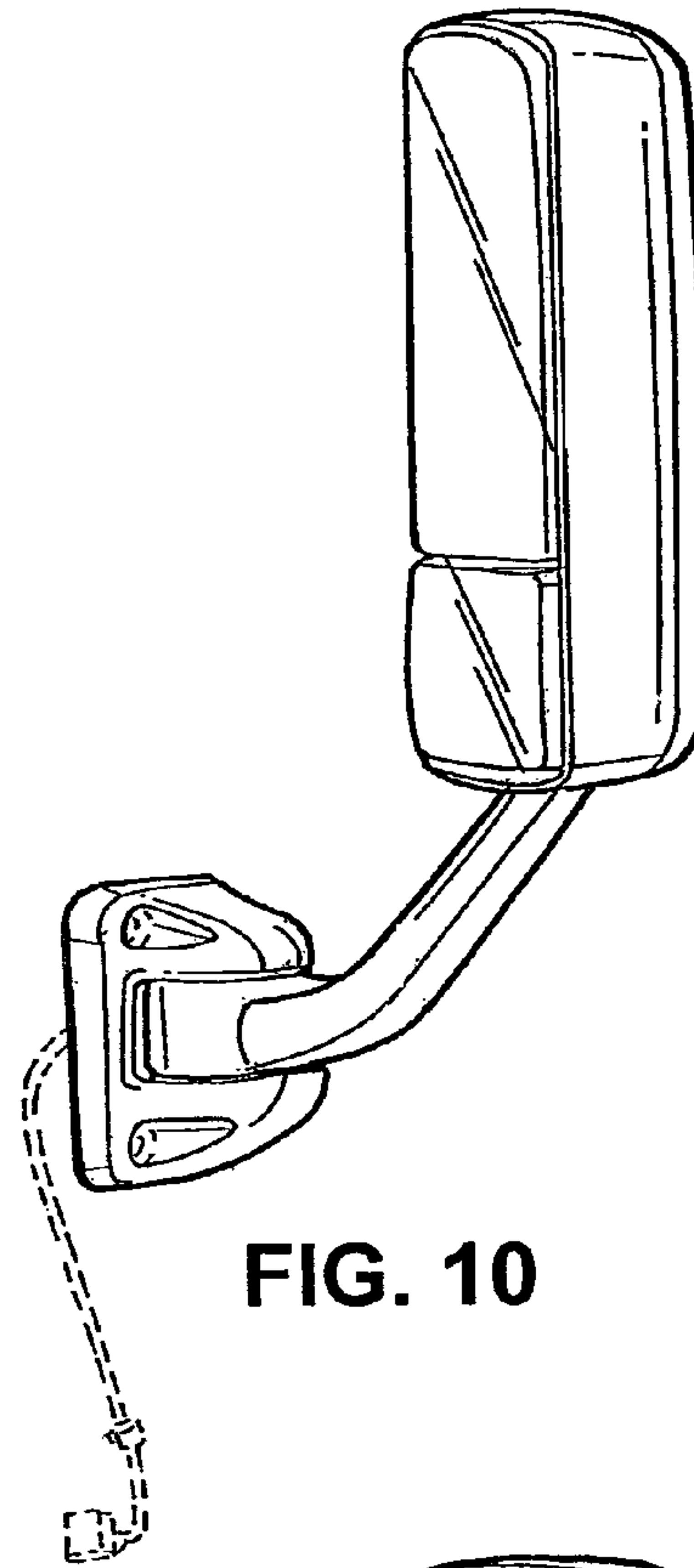


FIG. 10

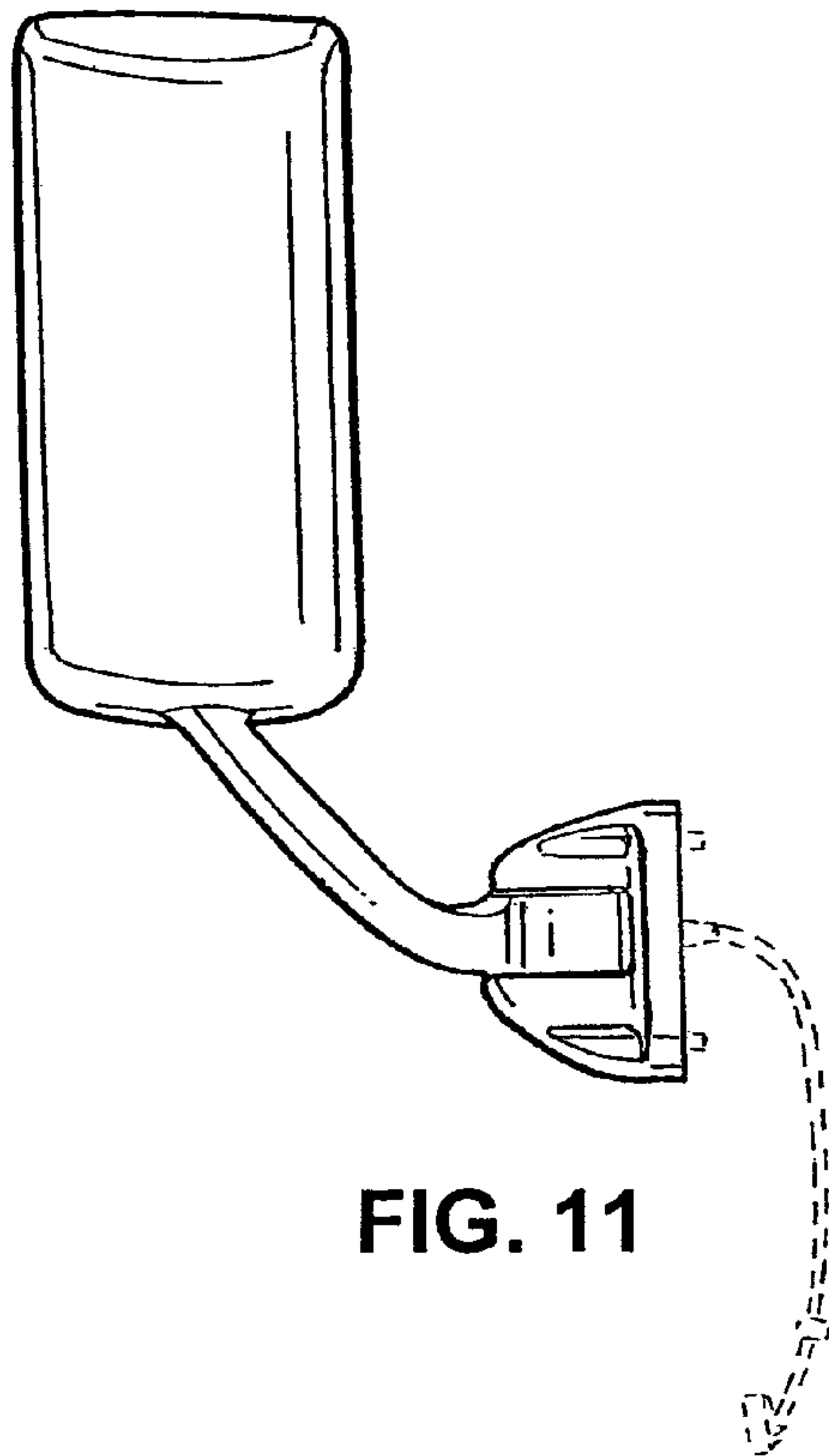


FIG. 11

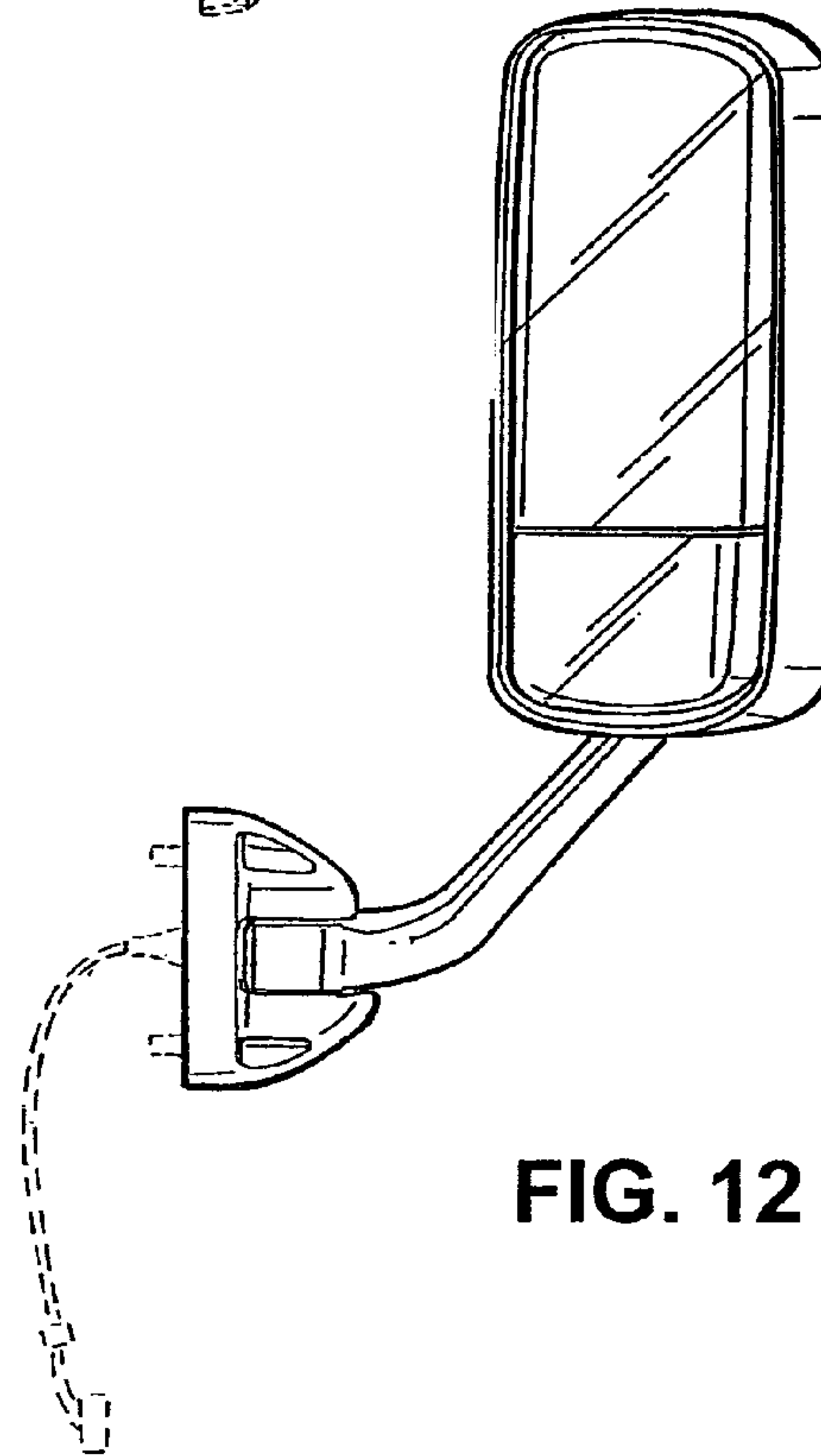


FIG. 12

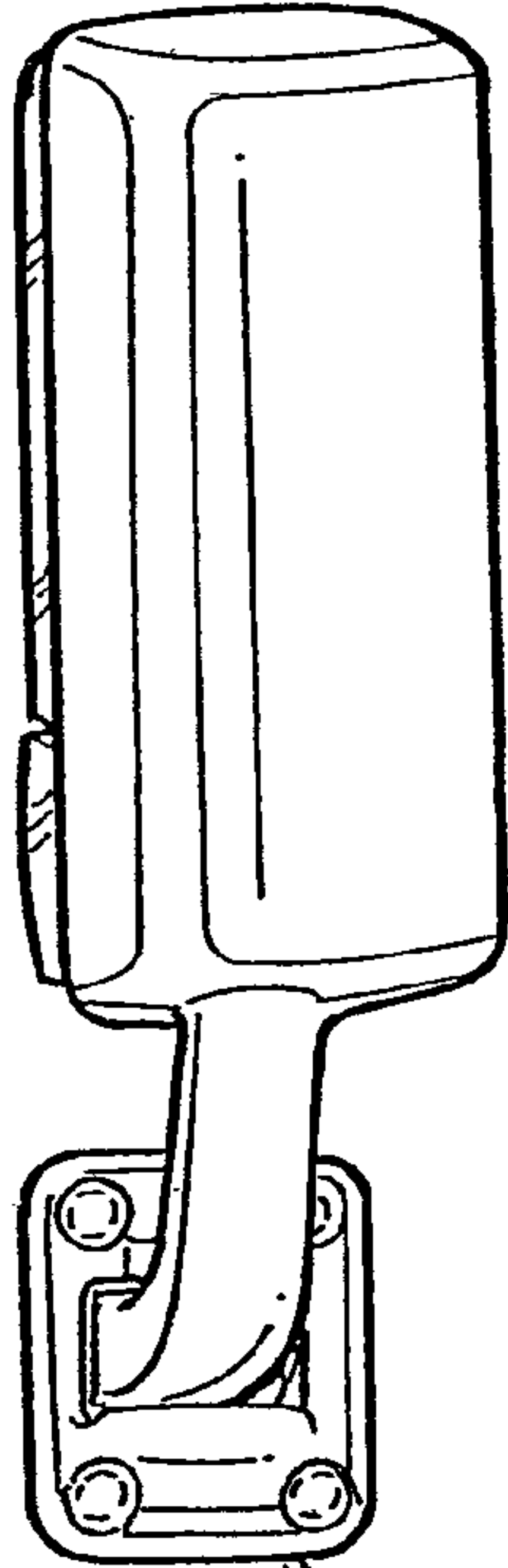


FIG. 13

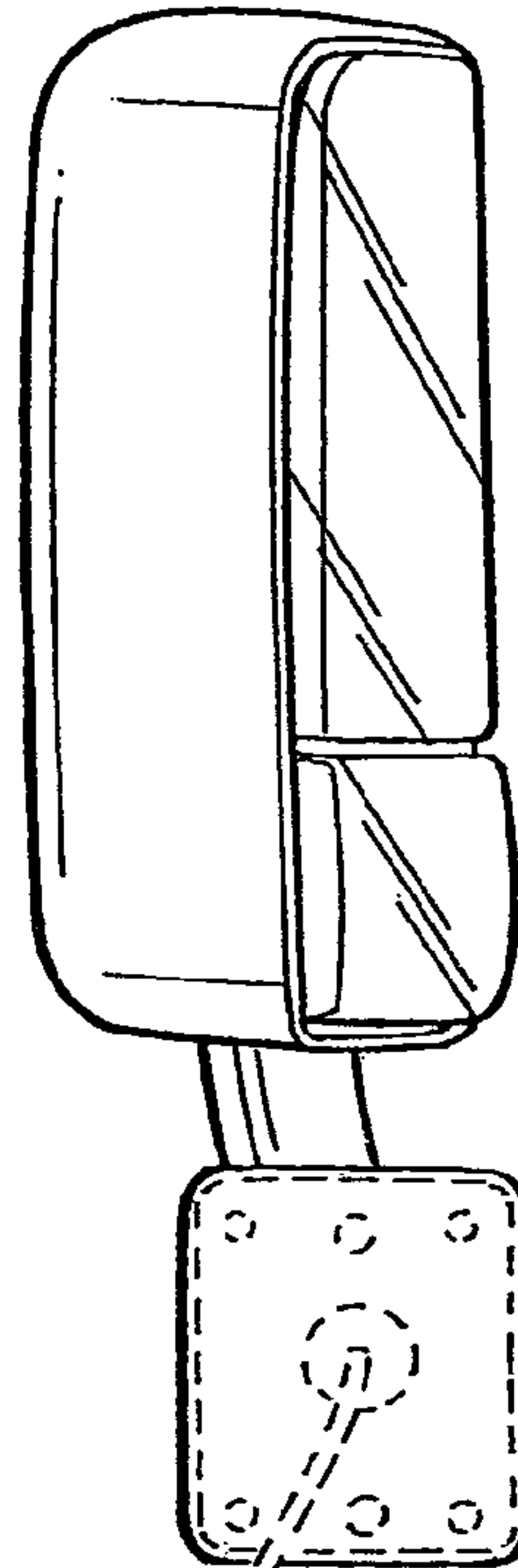


FIG. 14

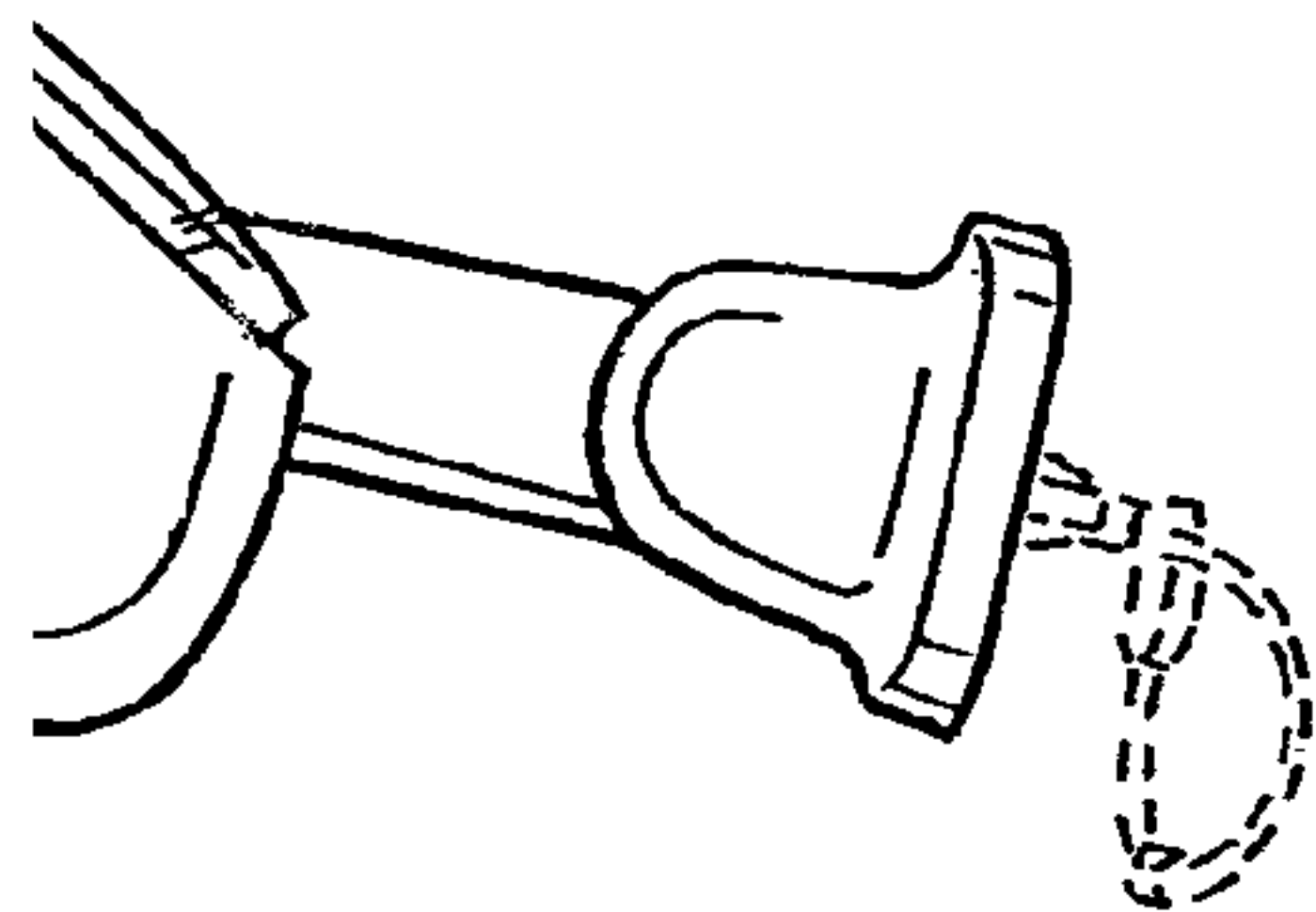


FIG. 15

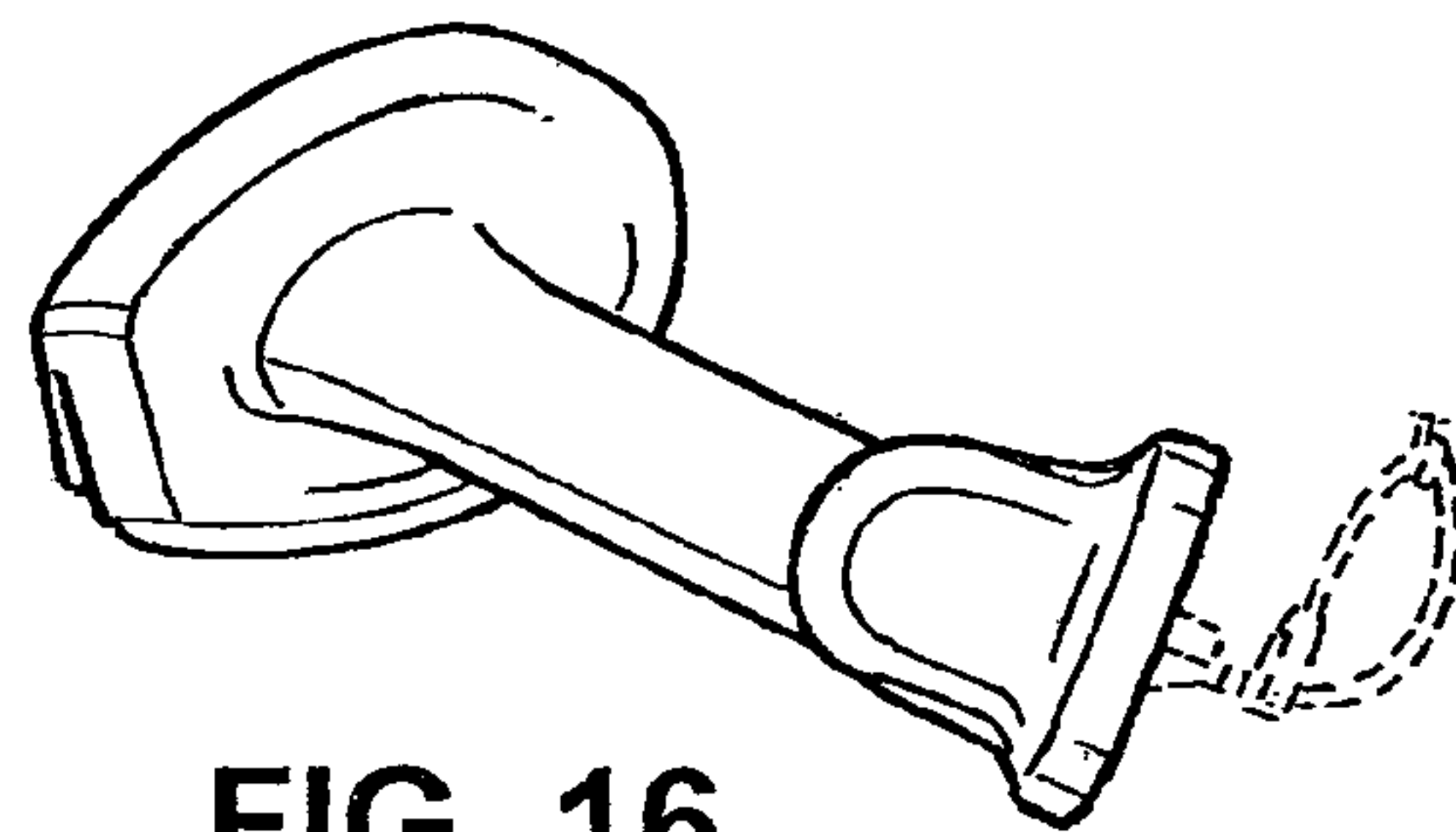


FIG. 16