



US00D699645S

(12) **United States Design Patent**
Cartabiano et al.

(10) **Patent No.:** **US D699,645 S**

(45) **Date of Patent:** **** Feb. 18, 2014**

(54) **FENDER FOR AN AUTOMOBILE**

(71) Applicant: **Toyota Jidosha Kabushiki Kaisha,**
Toyota (JP)

(72) Inventors: **Ian Richard Cartabiano,** Torrance, CA
(US); **Peter Kim,** Northville, MI (US)

(73) Assignee: **Toyota Jidosha Kabushiki Kaisha** (JP)

(**) Term: **14 Years**

(21) Appl. No.: **29/432,610**

(22) Filed: **Sep. 18, 2012**

(30) **Foreign Application Priority Data**

Mar. 27, 2012 (JP) 2012-006917

(51) **LOC (10) Cl.** **12-08**

(52) **U.S. Cl.**
USPC **D12/181**

(58) **Field of Classification Search**
USPC D12/181, 191, 196, 400, 190, 88;
280/727, 770, 848; 296/180.1-180.5,
296/91; 180/903

See application file for complete search history.

(56) **References Cited**

U.S. PATENT DOCUMENTS

D507,514 S * 7/2005 Nagura et al. D12/184
D561,668 S * 2/2008 Suzuki et al. D12/184
D571,869 S * 6/2008 Eutick D21/633
D576,090 S * 9/2008 Zavatski et al. D12/184
D585,347 S * 1/2009 Kamimura D12/184

D609,150 S * 2/2010 Krugger et al. D12/184
D614,554 S * 4/2010 Noguchi et al. D12/181
D626,044 S * 10/2010 Yamazaki D12/181
D644,971 S * 9/2011 Kumai et al. D12/181
D645,803 S * 9/2011 Kumai et al. D12/181

OTHER PUBLICATIONS

Audi, Audi A7 Sportback, NetCarShow.com, http://www.netcarshow.com/audi/2011-a7_sportback/, available at least as early as Mar. 6, 2012.

Hyundai, Hyundai Sonata Hybrid, NetCarShow.com, http://www.netcarshow.com/hyundai/2011-sonata_hybrid/, available at least as early as Mar. 6, 2012.

* cited by examiner

Primary Examiner — Katrina A Betton

(74) *Attorney, Agent, or Firm* — SAIDMAN DesignLaw Group

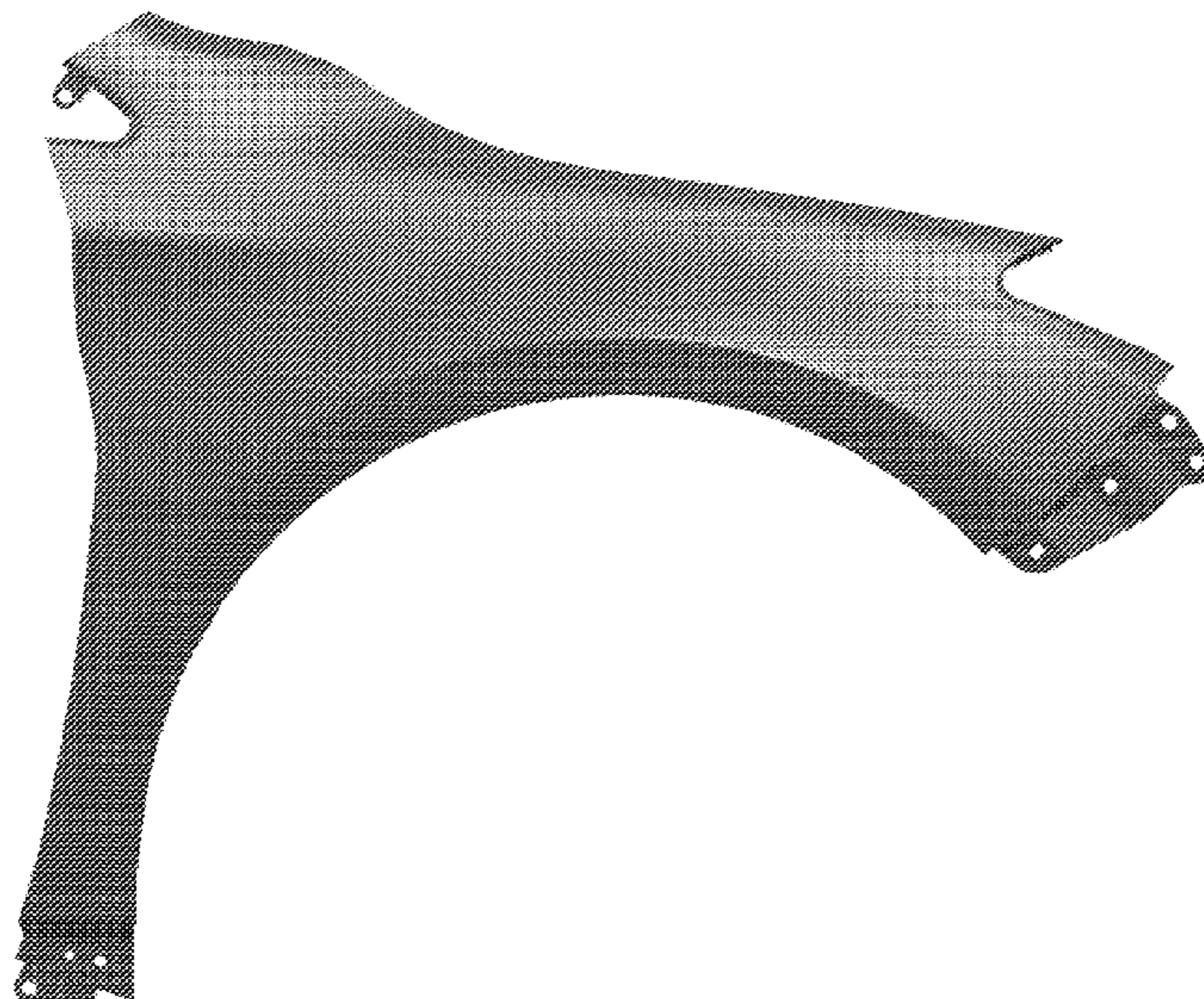
(57) **CLAIM**

The ornamental design for a fender for an automobile, as shown and described.

DESCRIPTION

FIG. 1 is a right perspective view of a fender for an automobile showing our new design;
FIG. 2 is a left perspective view thereof;
FIG. 3 is a front view thereof;
FIG. 4 is a rear view thereof;
FIG. 5 is a top view thereof;
FIG. 6 is a bottom view thereof;
FIG. 7 is a left side view thereof; and,
FIG. 8 is a right side view thereof.

1 Claim, 5 Drawing Sheets



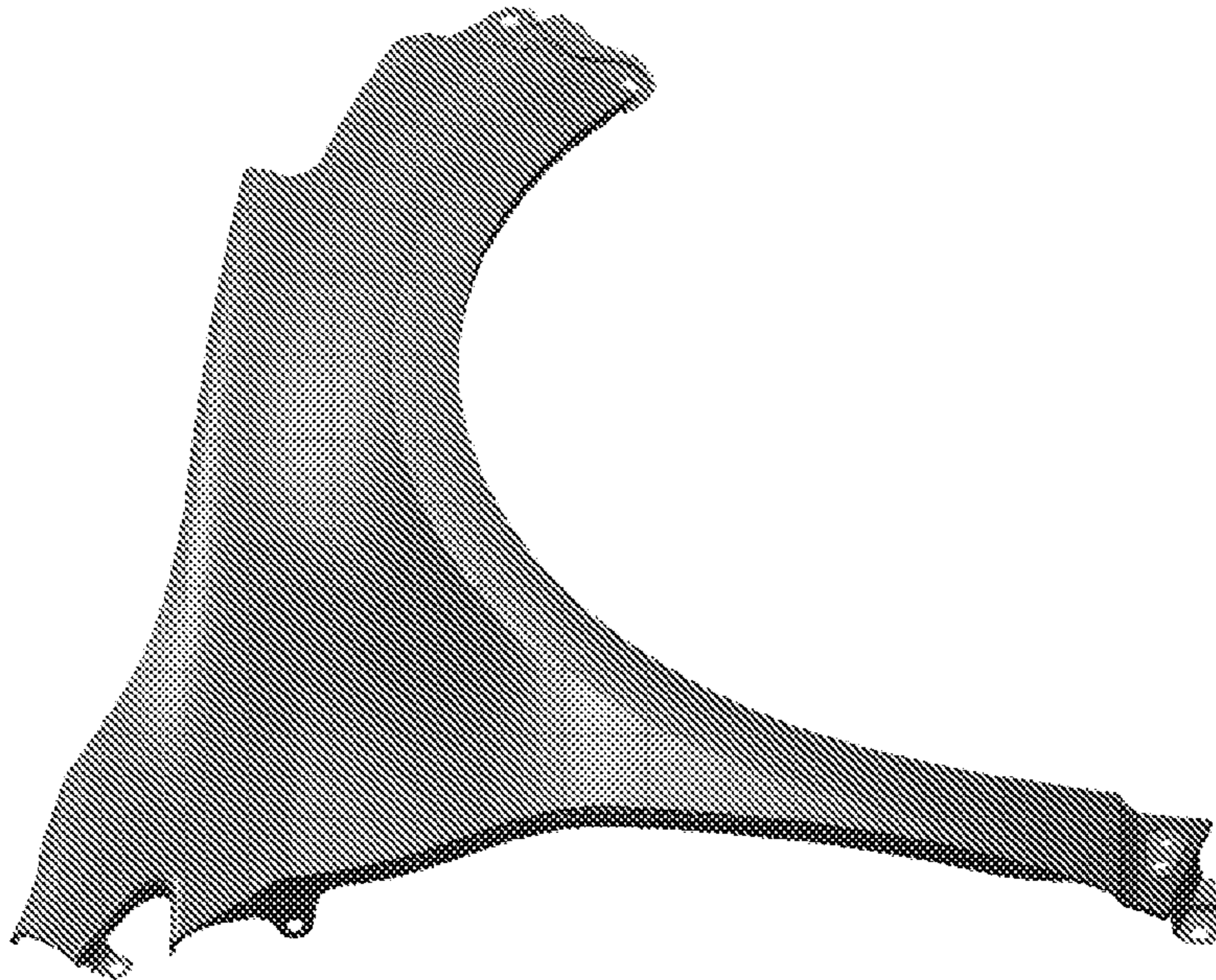


FIG. 1

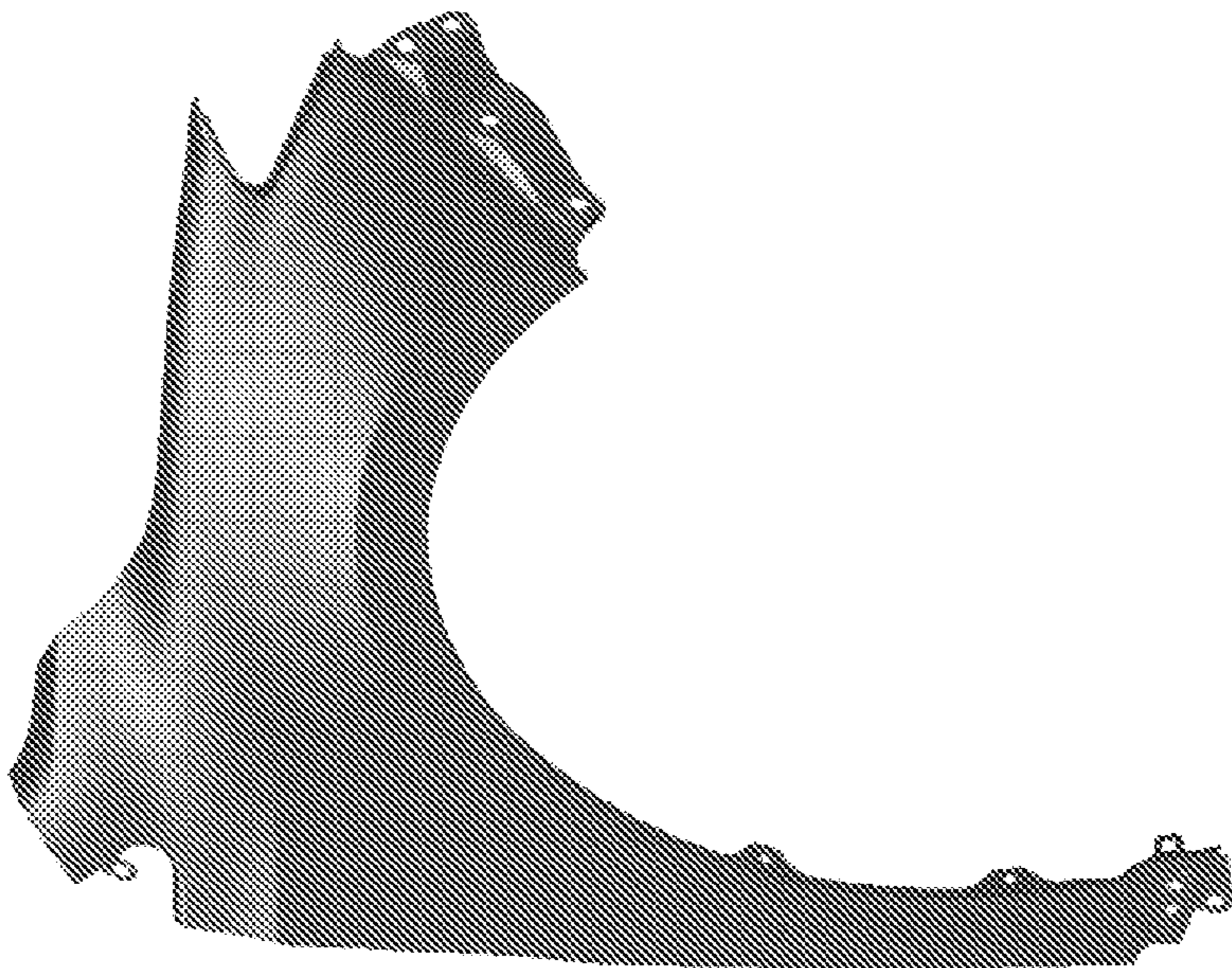


FIG. 2

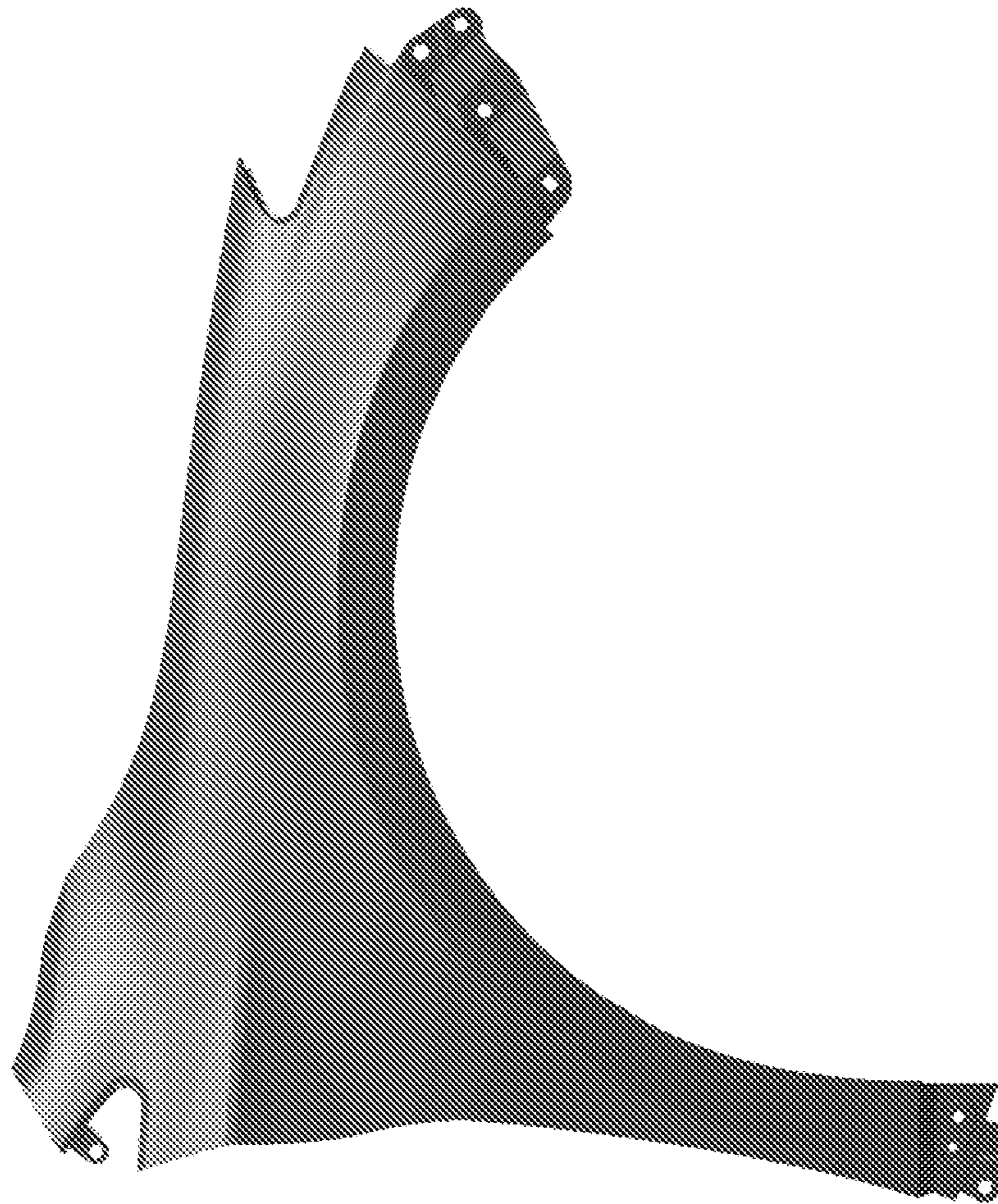


FIG. 3

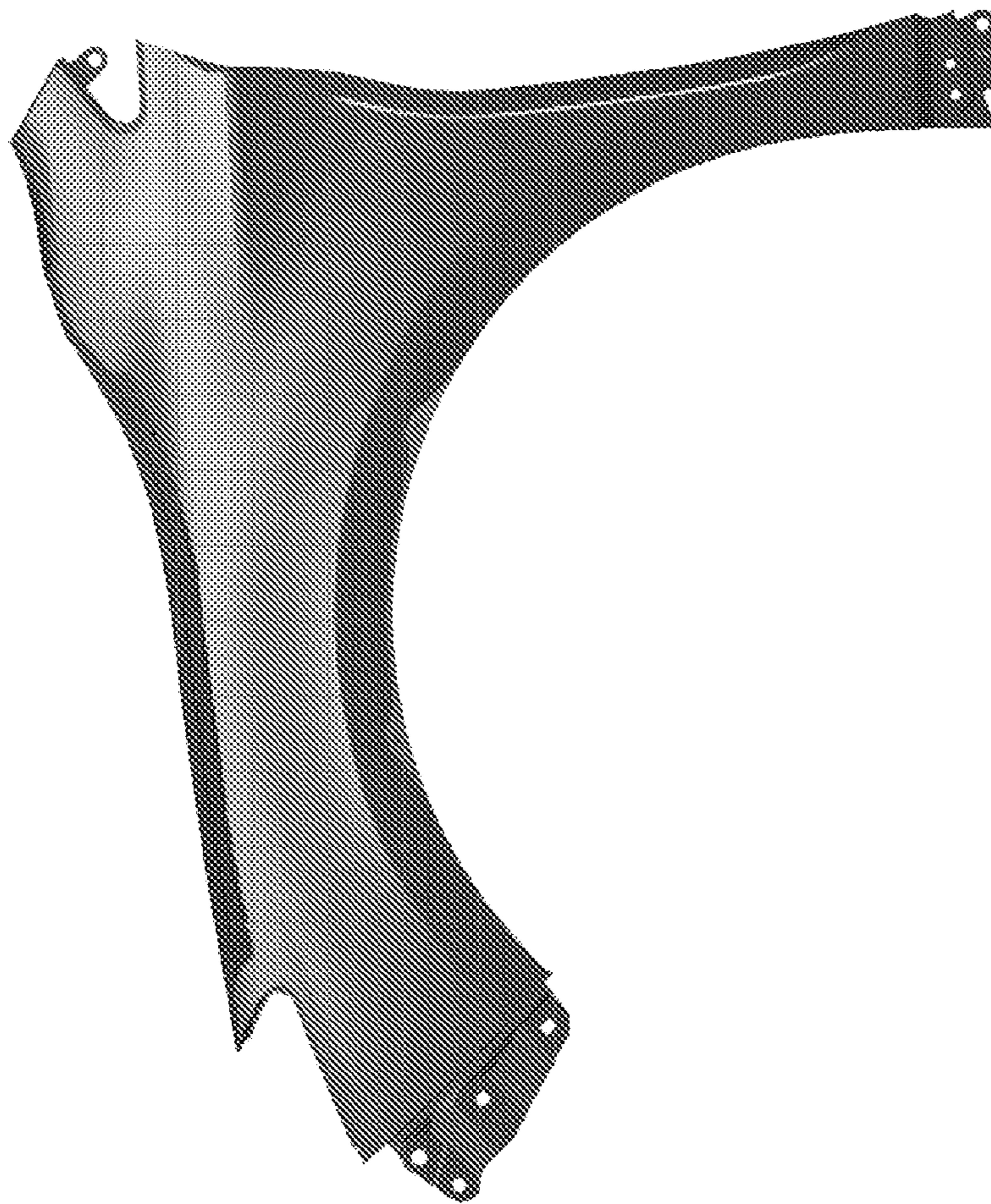


FIG. 4

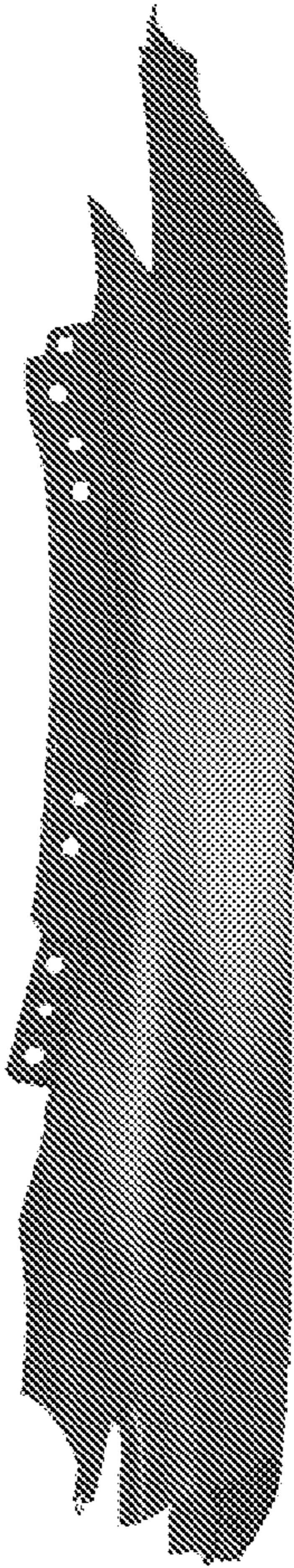


FIG. 5

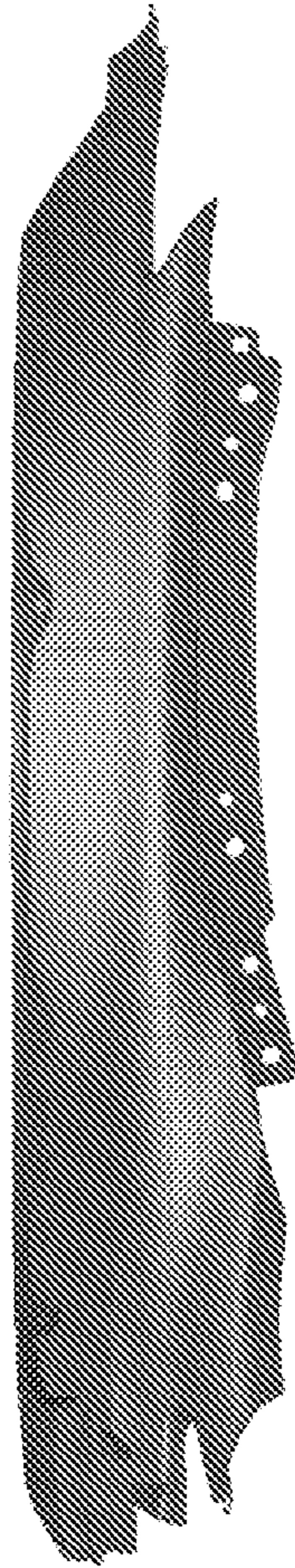


FIG. 6



FIG. 8



FIG. 7