

US00D699643S

(12) **United States Design Patent**  
**Chae**

(10) **Patent No.:** **US D699,643 S**

(45) **Date of Patent:** **\*\* Feb. 18, 2014**

- (54) **HOOD PANEL FOR A CAR**
- (71) Applicant: **GM Global Technology Operations, LLC, Detroit, MI (US)**
- (72) Inventor: **Hye-shik Chae, Incheon (KR)**
- (73) Assignee: **GM Global Technology Operations, LLC, Detroit, MI (US)**

- D592,113 S \* 5/2009 Ward ..... D12/173
- D609,144 S \* 2/2010 Takayama ..... D12/173
- D610,505 S \* 2/2010 Bucher et al. .... D12/173
- D626,476 S \* 11/2010 Loeb ..... D12/173
- D627,281 S \* 11/2010 Yoshida et al. .... D12/173
- D644,579 S \* 9/2011 Messale ..... D12/173
- D645,800 S \* 9/2011 Kumai et al. .... D12/173
- 8,016,347 B2 \* 9/2011 Uchino ..... 296/193.11
- D651,144 S \* 12/2011 Okumoto et al. .... D12/173
- D662,013 S \* 6/2012 Hakamata et al. .... D12/173

- (\*\*) Term: **14 Years**
- (21) Appl. No.: **29/446,202**
- (22) Filed: **Feb. 21, 2013**

**FOREIGN PATENT DOCUMENTS**

- JP 2008132954 A \* 6/2008 ..... B62D 25/10
- \* cited by examiner

- (30) **Foreign Application Priority Data**
- Aug. 30, 2012 (KR) ..... 30-2012-0041791
- (51) **LOC (10) Cl.** ..... **12-08**
- (52) **U.S. Cl.**
- USPC ..... **D12/173**
- (58) **Field of Classification Search**
- USPC ..... D12/86, 90, 91, 92, 173, 196; 180/69.2, 180/69.21, 69.22
- See application file for complete search history.

*Primary Examiner* — Philip S Hyder  
*Assistant Examiner* — Darlington Ly  
 (74) *Attorney, Agent, or Firm* — Jansson Munger McKinley & Shape

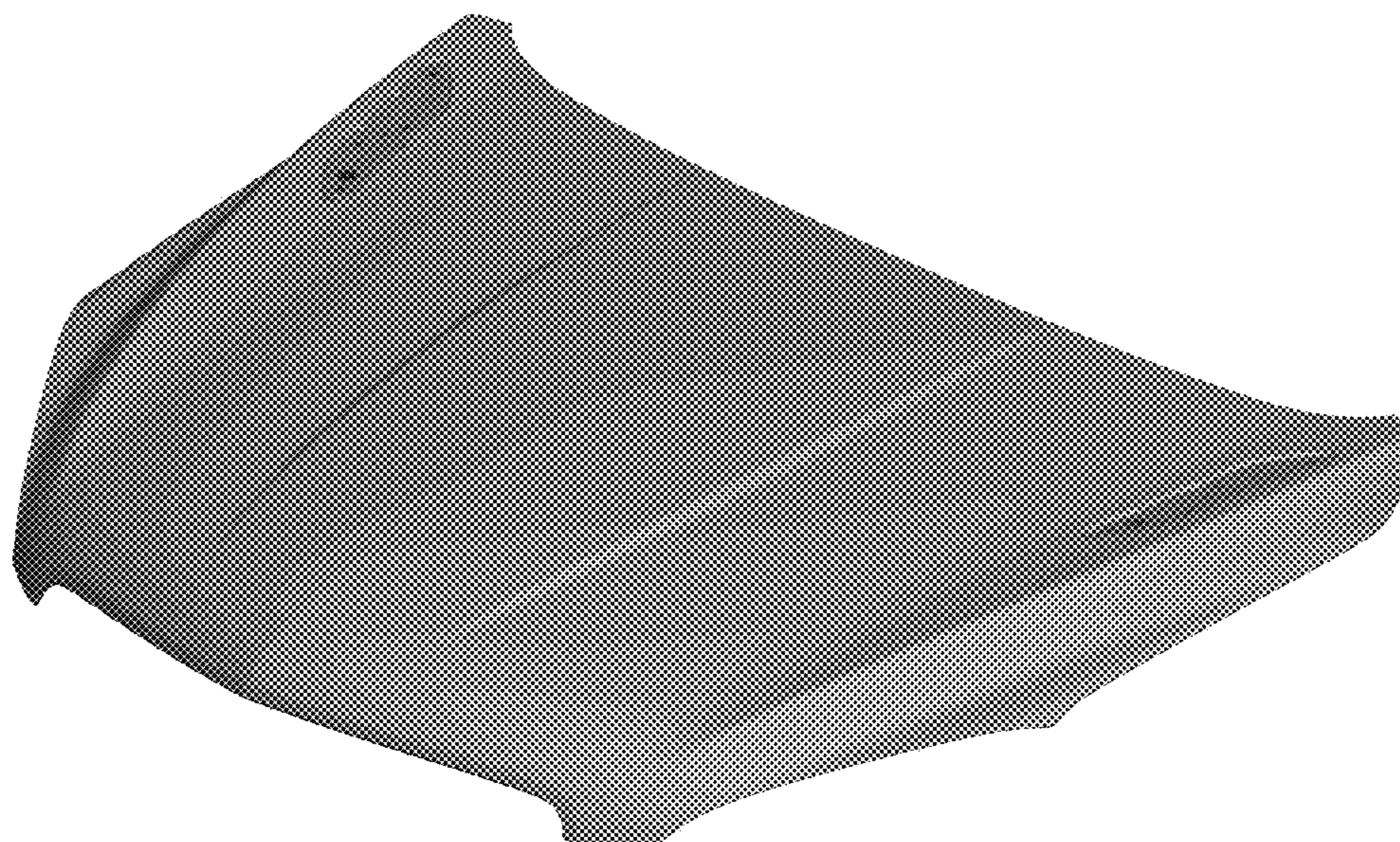
- (56) **References Cited**
- U.S. PATENT DOCUMENTS**
- D541,198 S \* 4/2007 Levy ..... D12/173
- D570,753 S \* 6/2008 Sato et al. .... D12/173
- D589,417 S \* 3/2009 Osborne et al. .... D12/173

(57) **CLAIM**  
 The ornamental design for a hood panel for a car, as shown and described.

**DESCRIPTION**

FIG. 1 is a perspective view of the hood panel for a car of the present design;  
 FIG. 2 is a rear elevation view thereof;  
 FIG. 3 is a left side elevation view thereof;  
 FIG. 4 is a right side elevation view thereof;  
 FIG. 5 is a top plan view thereof; and,  
 FIG. 6 is a bottom plan view thereof.

**1 Claim, 6 Drawing Sheets**



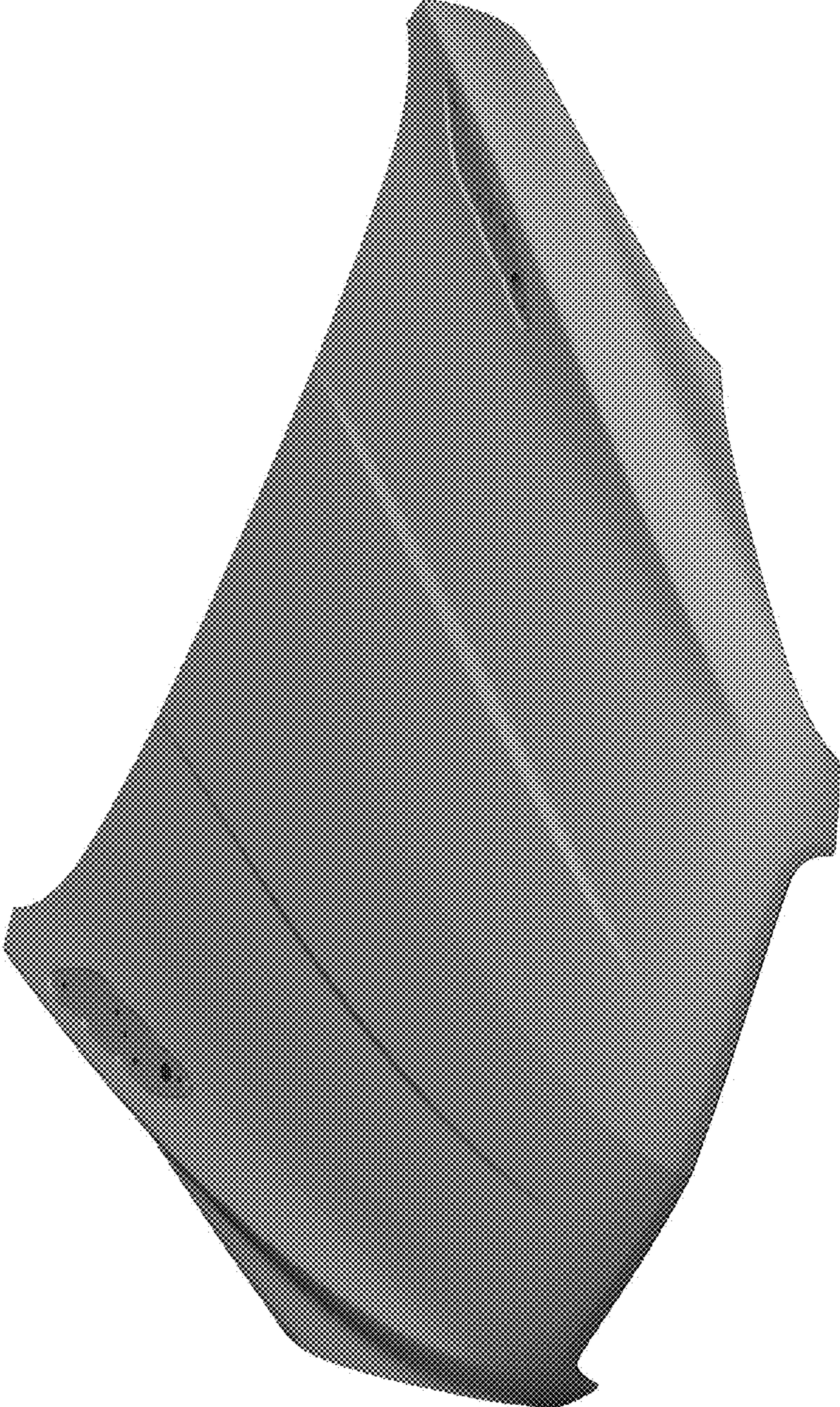


FIG. 1

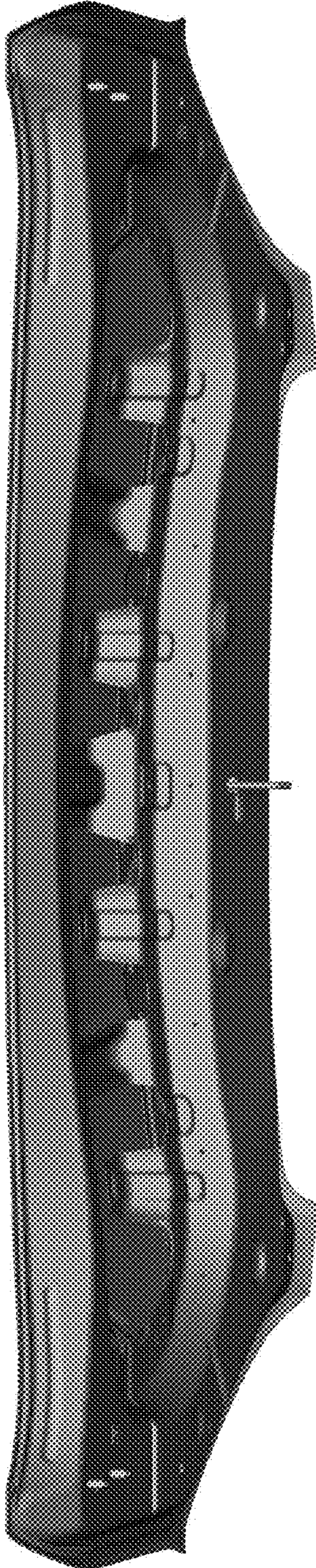


FIG. 2

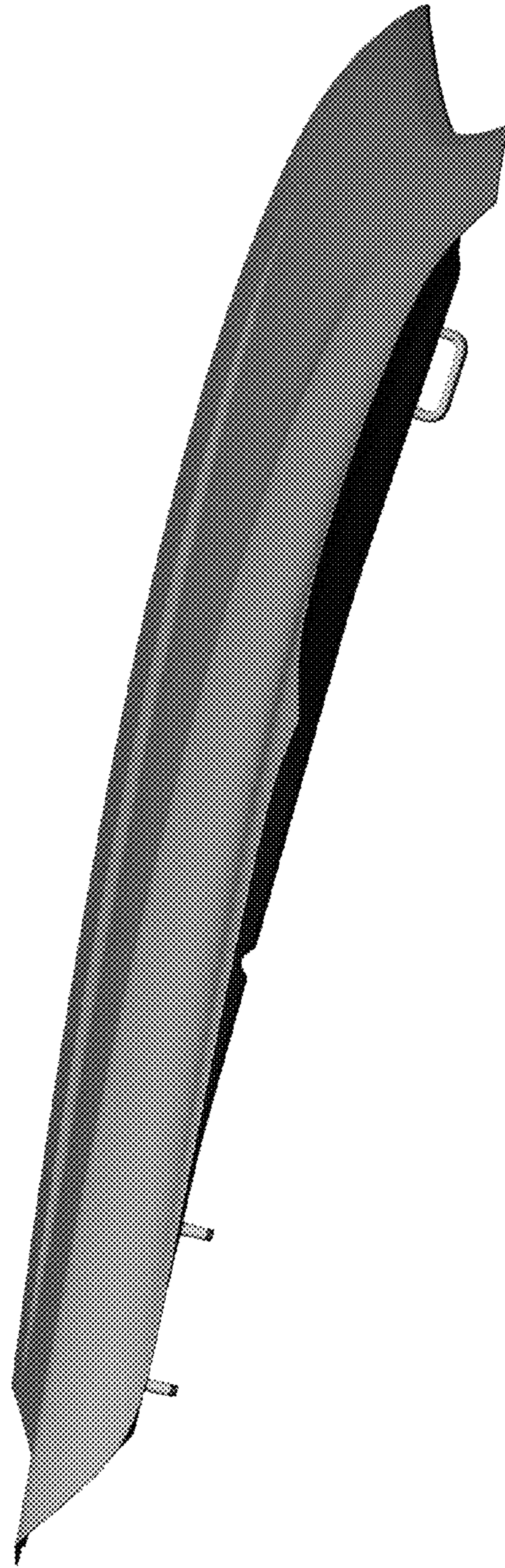


FIG. 3

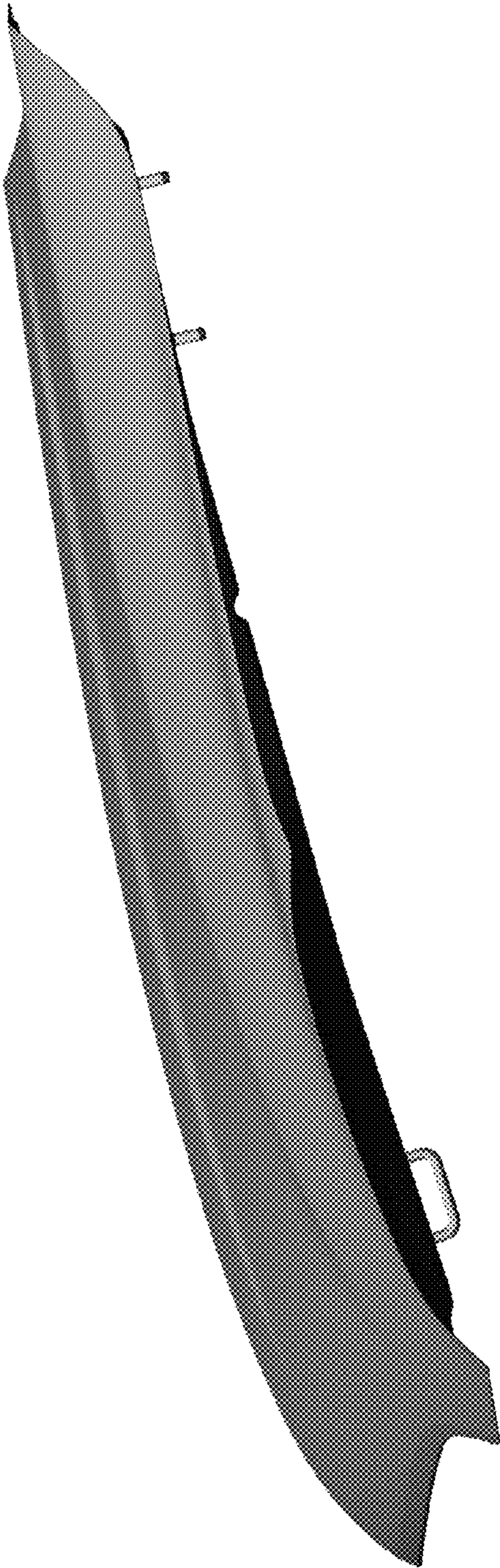


FIG. 4

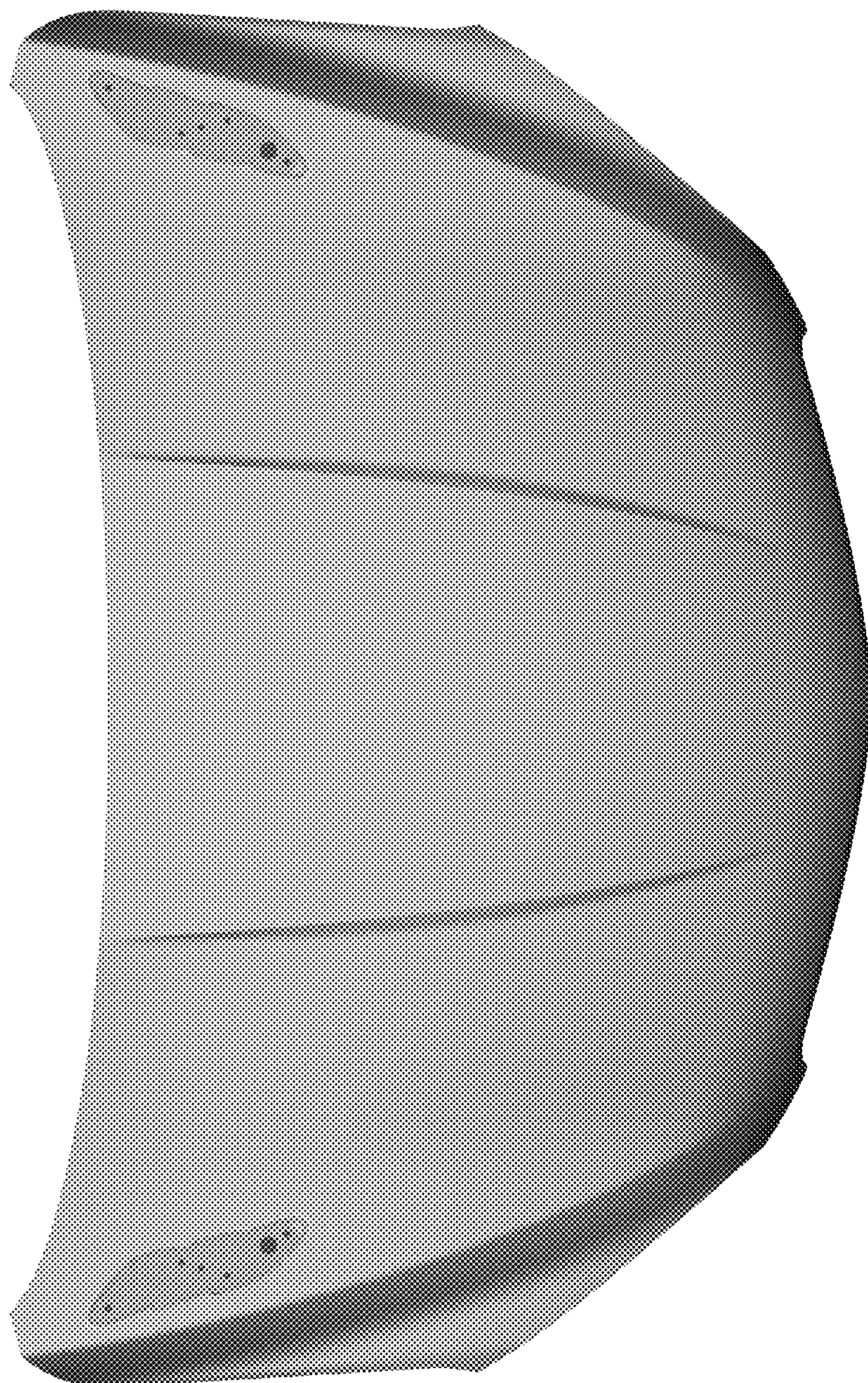


FIG. 5

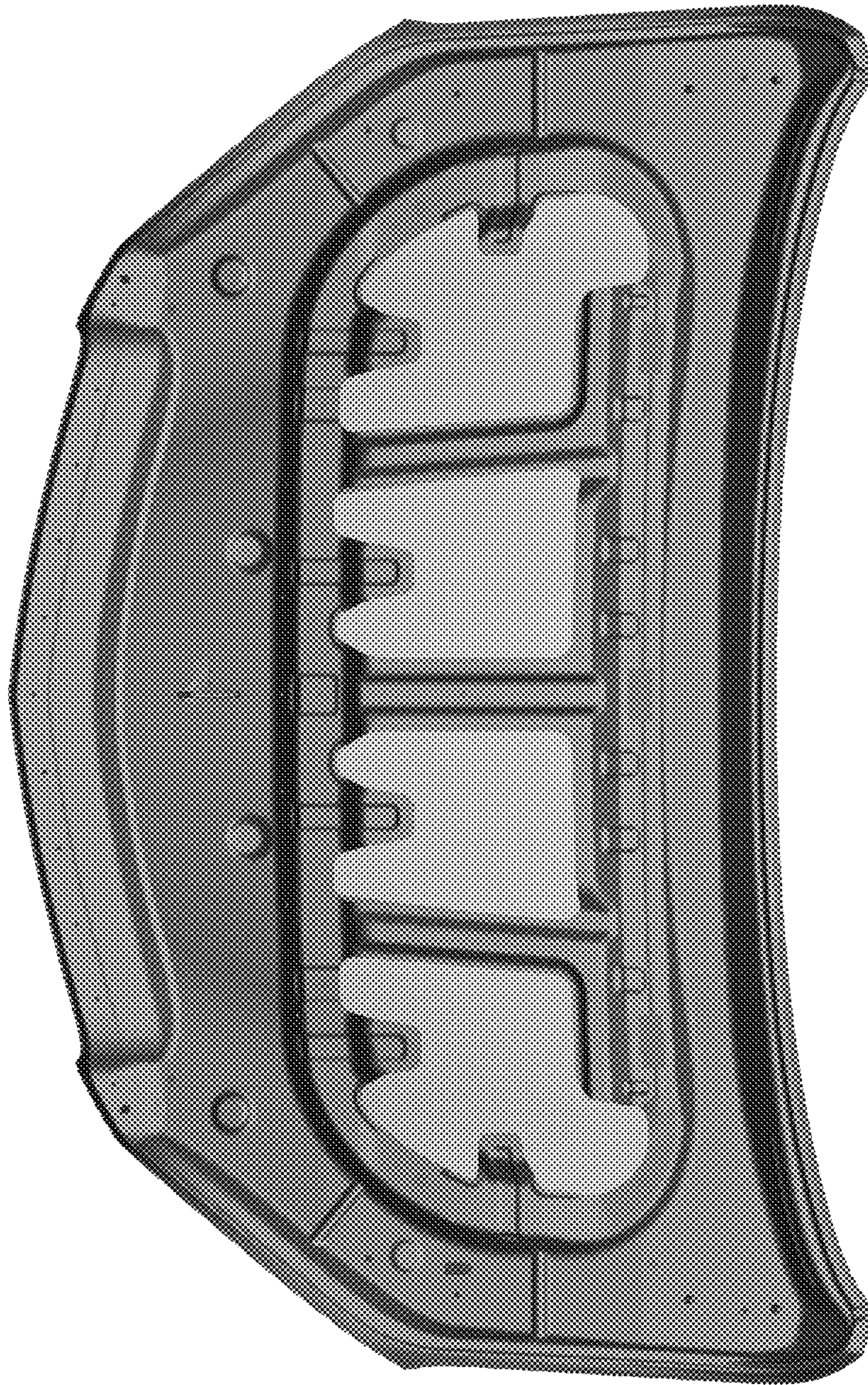


FIG. 6