



US00D699634S

(12) **United States Design Patent**
Wu

(10) **Patent No.:** **US D699,634 S**

(45) **Date of Patent:** **** Feb. 18, 2014**

(54) **FOUR-WHEELED TROLLEY**

(76) Inventor: **Ching-Tsang Wu, Xinbei (TW)**

(**) Term: **14 Years**

(21) Appl. No.: **29/401,376**

(22) Filed: **Sep. 12, 2011**

(51) **LOC (10) Cl.** **12-12**

(52) **U.S. Cl.**
USPC **D12/130**

(58) **Field of Classification Search**
USPC D12/128-133; 280/62, 647-650, 29,
280/200, 47.38, 250.1, 259, 642, 658,
280/304.1; 128/99.1, 100.1

See application file for complete search history.

(56) **References Cited**

U.S. PATENT DOCUMENTS

4,211,309	A *	7/1980	Ruggiero	188/83
4,341,381	A *	7/1982	Norberg	482/67
D281,771	S *	12/1985	Webb	D12/130
D289,507	S *	4/1987	Danielsson	D12/130
D360,174	S *	7/1995	Kjell et al.	D12/130
D367,833	S *	3/1996	Ahlbertz	D12/130
D372,890	S *	8/1996	Ferm et al.	D12/130

D396,437	S *	7/1998	Liljedahl	D12/130
D503,909	S *	4/2005	Tolfsen et al.	D12/130
D519,423	S *	4/2006	Tolfsen	D12/130
D560,563	S *	1/2008	Fransson et al.	D12/130
7,484,740	B2 *	2/2009	Miller	280/87.021
2007/0034243	A1 *	2/2007	Miller	135/67

* cited by examiner

Primary Examiner — Ian Simmons

Assistant Examiner — Charles Hanson

(74) *Attorney, Agent, or Firm* — Rosenberg, Klein & Lee

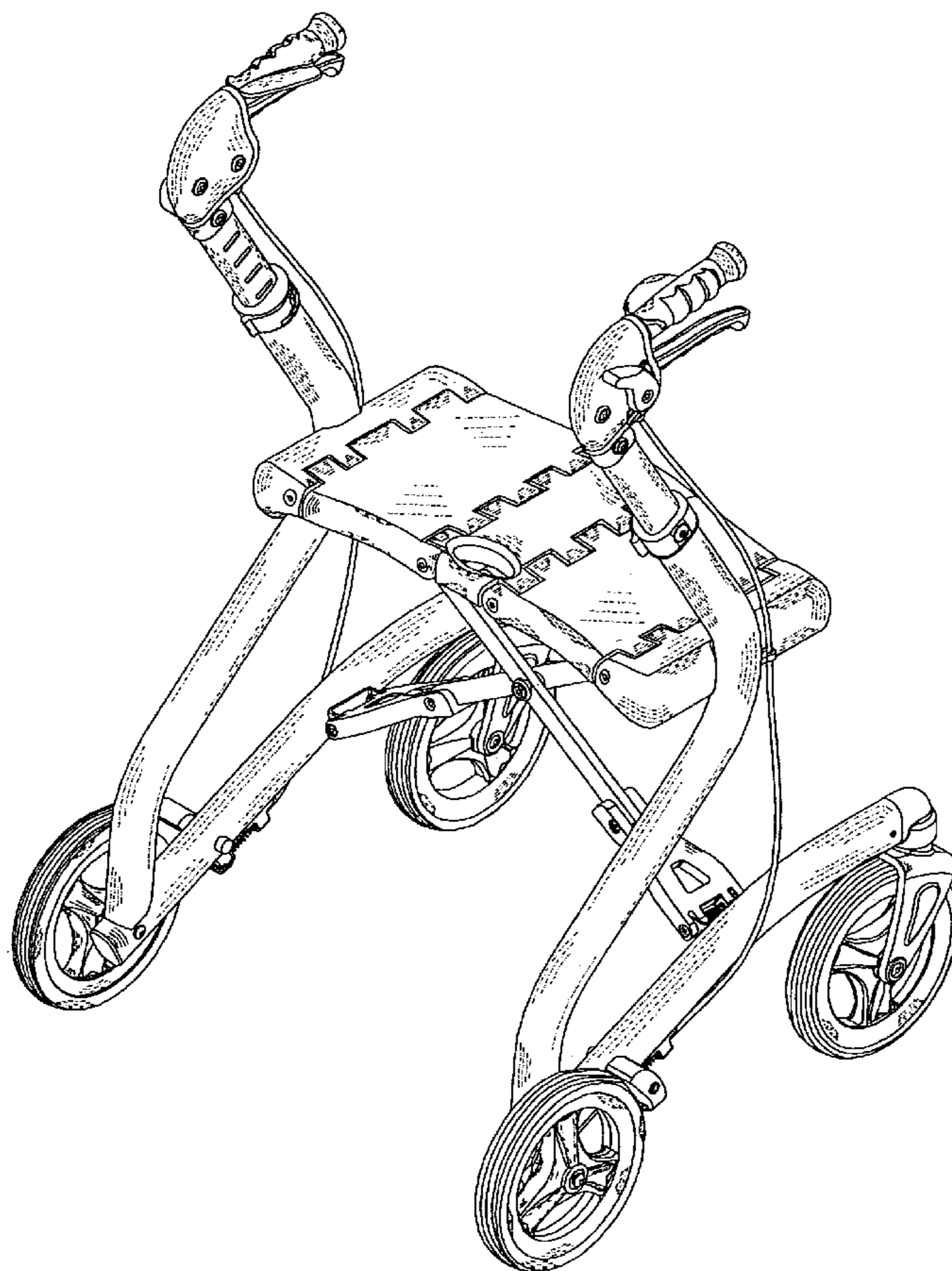
(57) **CLAIM**

The ornamental design for a four-wheeled trolley, as shown and described.

DESCRIPTION

FIG. 1 is a perspective view showing the trolley;
FIG. 2 is a front view showing the trolley;
FIG. 3 is a back view showing the trolley;
FIG. 4 is a left-side view showing the trolley;
FIG. 5 is a right-side view showing the trolley;
FIG. 6 is a top view showing the trolley; and,
FIG. 7 is an end view showing the trolley.
The broken line showing is included for the purpose of illustrating environment and forms no part of the claimed design.

1 Claim, 7 Drawing Sheets



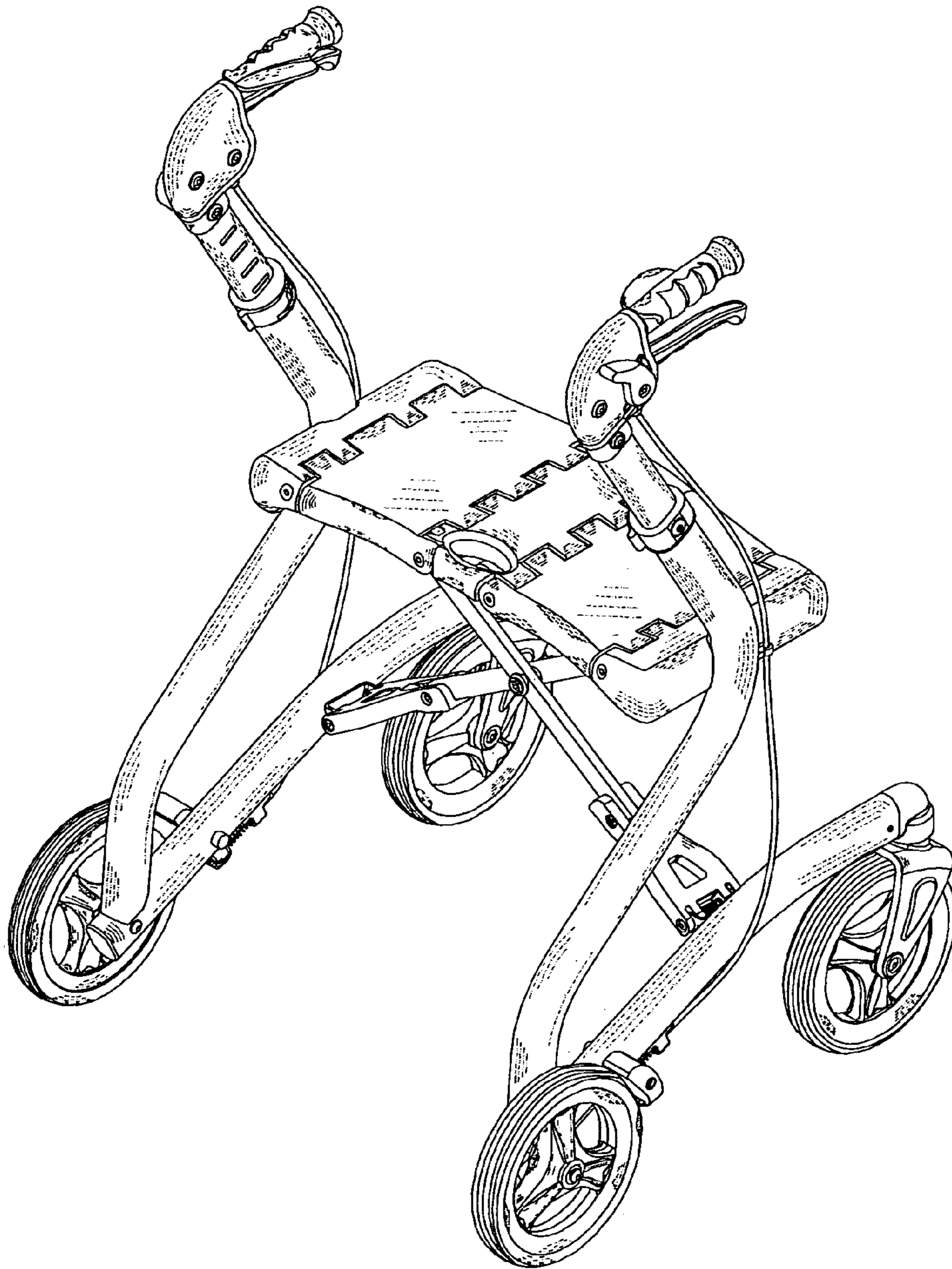


FIG. 1

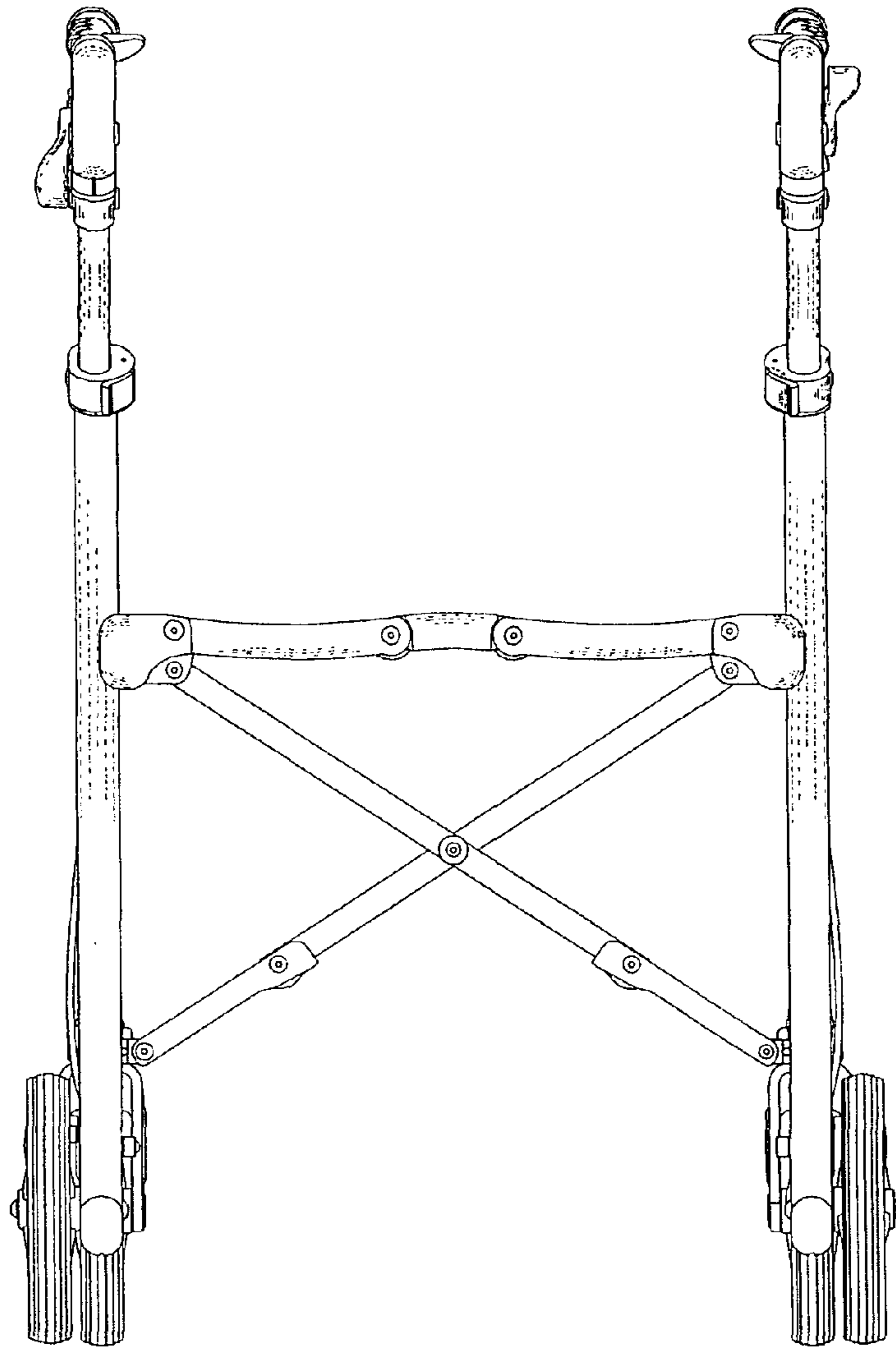


FIG. 2

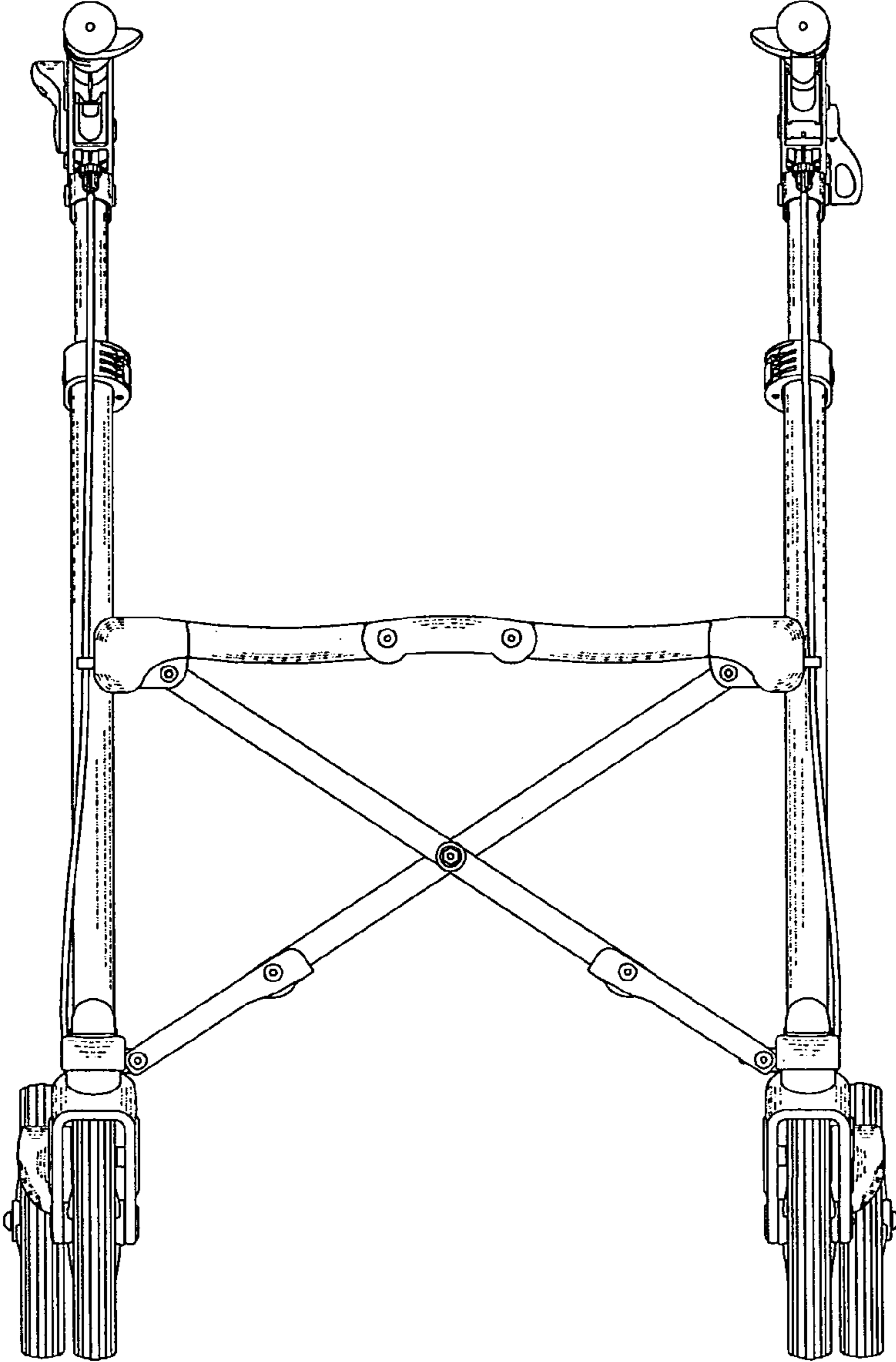


FIG. 3

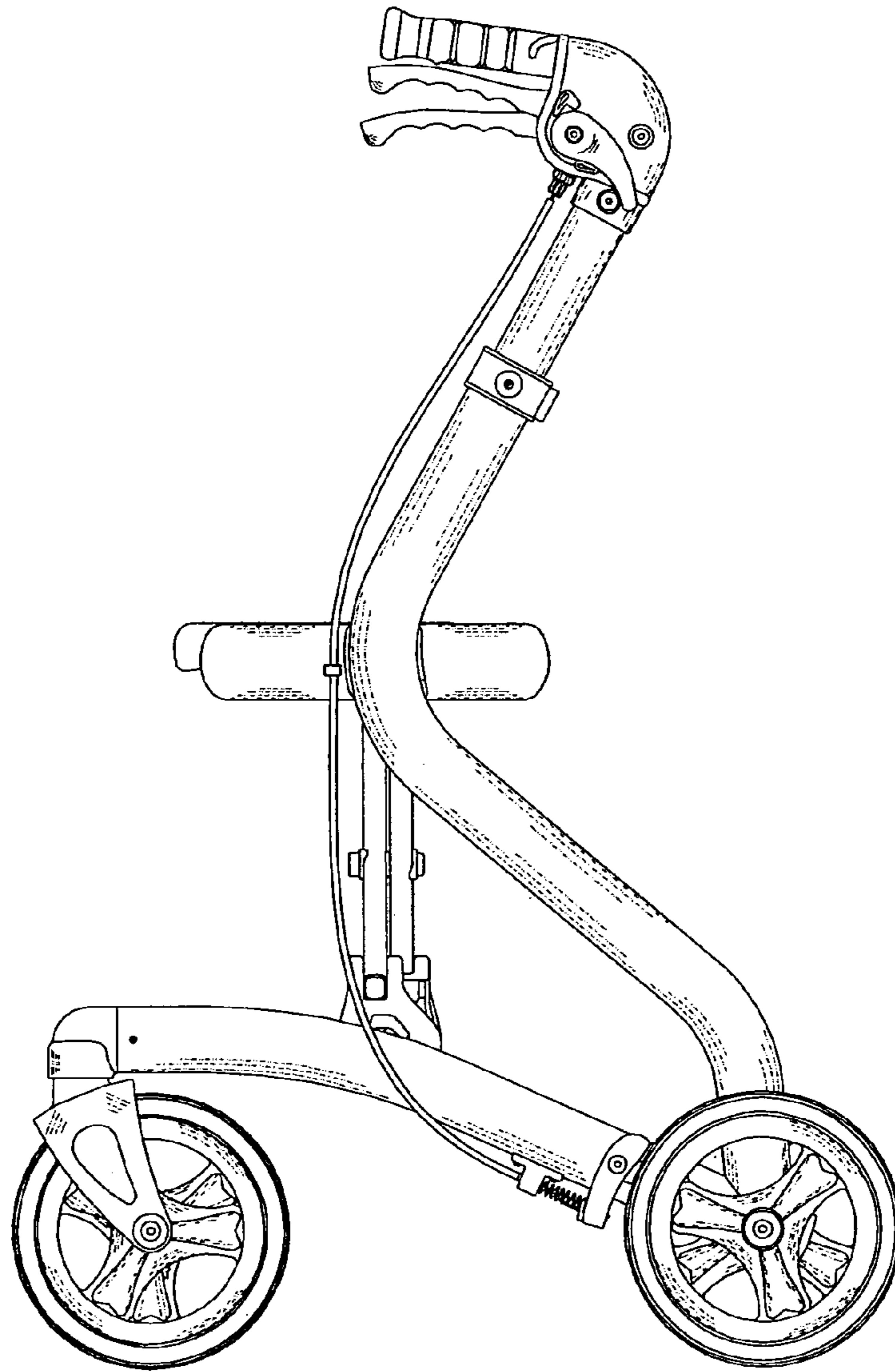


FIG. 4

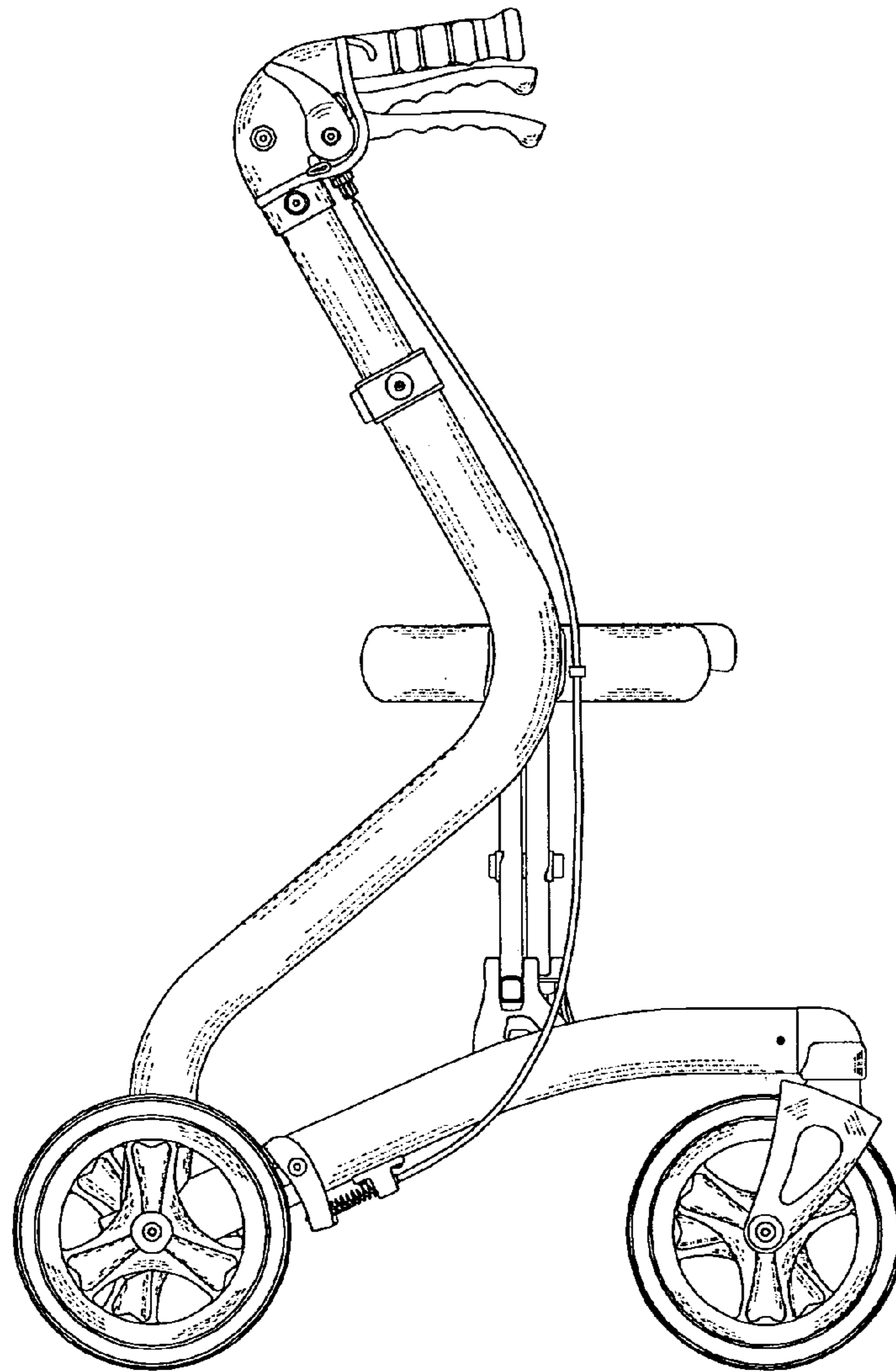


FIG. 5

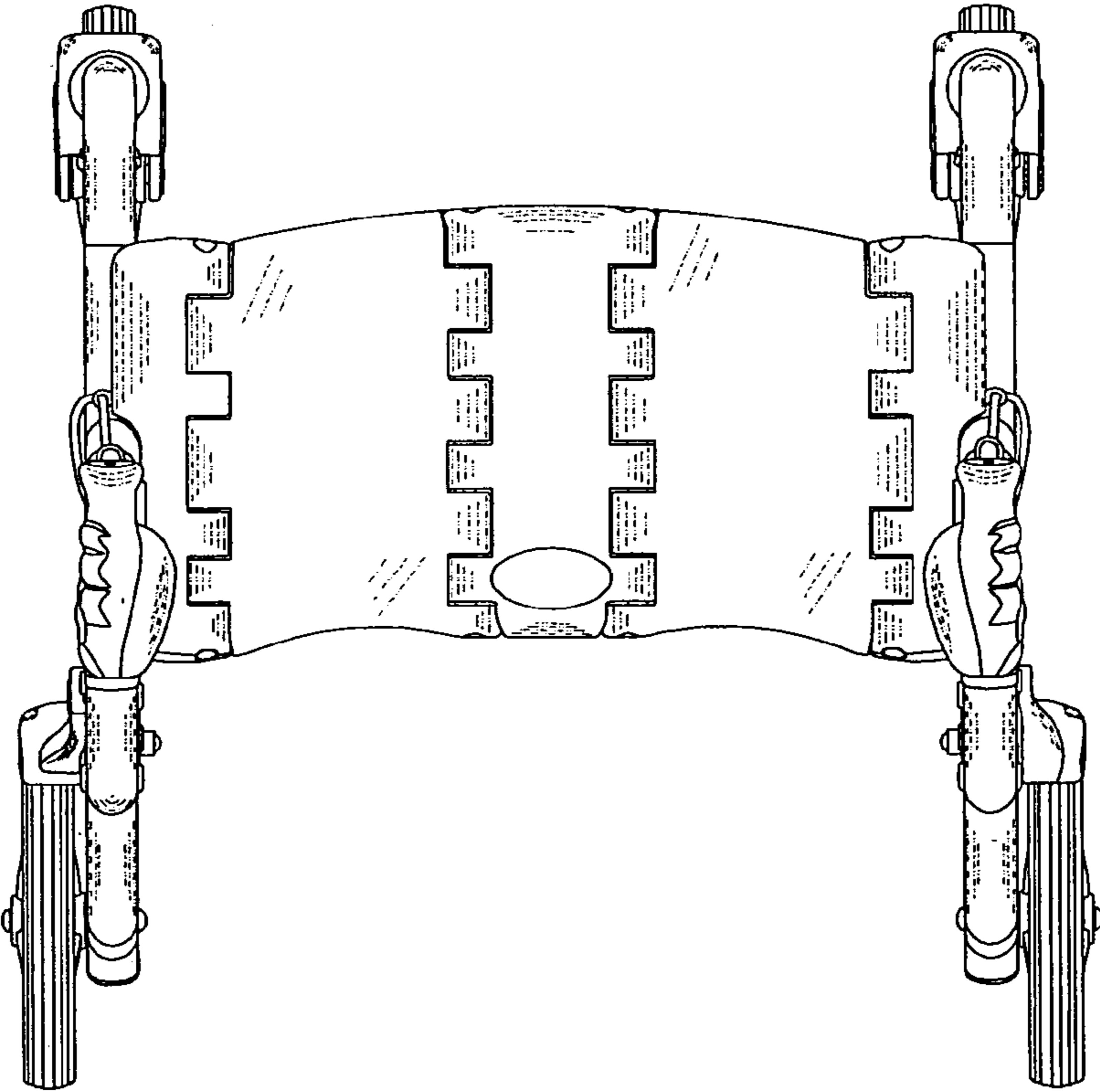


FIG. 6

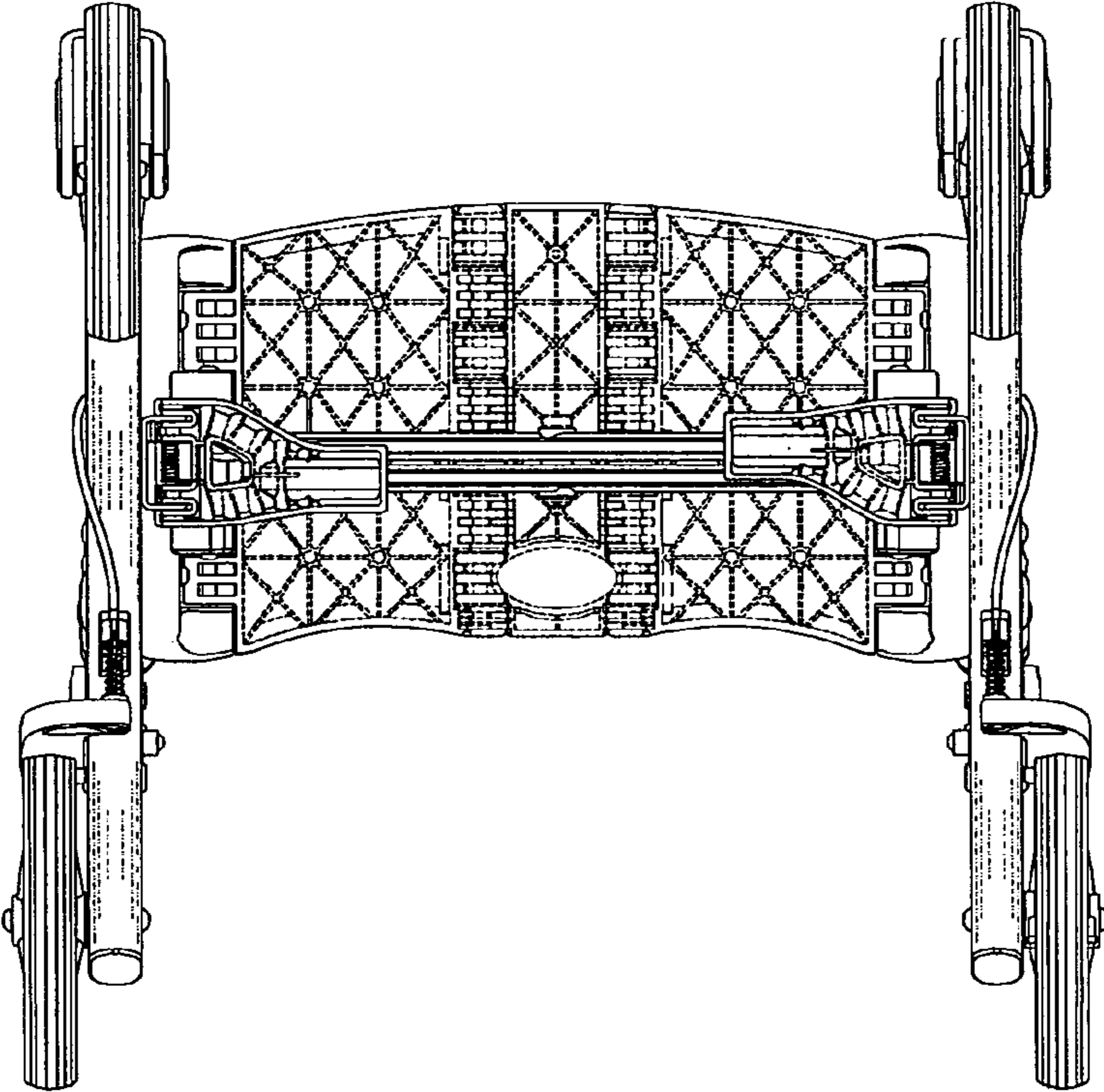


FIG. 7