



US00D699633S

(12) **United States Design Patent**  
**Kobayashi et al.**

(10) **Patent No.:** **US D699,633 S**  
(45) **Date of Patent:** **\*\* Feb. 18, 2014**

(54) **TWIN STROLLER**  
(75) Inventors: **Koichi Kobayashi**, Tokyo (JP); **Hitoshi Nakamura**, Tokyo (JP)  
(73) Assignee: **Combi Corporation**, Tokyo (JP)

7,516,966 B2 \* 4/2009 Gray ..... 280/47.38  
D598,333 S \* 8/2009 Li et al. .... D12/129  
D631,401 S \* 1/2011 Bagwell et al. .... D12/129  
D631,402 S \* 1/2011 Bagwell et al. .... D12/129  
D643,786 S \* 8/2011 Barenbrug ..... D12/129  
8,033,555 B2 \* 10/2011 Mostert et al. .... 280/47.38  
D651,139 S \* 12/2011 Angelfoss et al. .... D12/129

(\*\*) Term: **14 Years**

**FOREIGN PATENT DOCUMENTS**

(21) Appl. No.: **29/431,460**

TW 572637 1/2004  
TW D143333 10/2011

(22) Filed: **Sep. 7, 2012**

\* cited by examiner

(51) **LOC (10) Cl.** ..... **12-12**

(52) **U.S. Cl.**  
USPC ..... **D12/129**

(58) **Field of Classification Search**  
USPC ..... D12/128-133; D21/433; D34/12, 27,  
D34/30; 280/62, 647-650, 29, 200, 47.38,  
280/250.1, 259, 642, 658; 296/65.03,  
296/65.04; 297/DIG. 4; 135/65-67, 74  
See application file for complete search history.

*Primary Examiner* — Ian Simmons  
*Assistant Examiner* — Charles Hanson  
(74) *Attorney, Agent, or Firm* — RatnerPrestia

(57) **CLAIM**  
The ornamental design for a twin stroller, as shown and described.

**DESCRIPTION**

(56) **References Cited**

**U.S. PATENT DOCUMENTS**

D452,191 S 12/2001 Carpenter  
6,431,579 B1 \* 8/2002 Kaneko et al. .... 280/642  
6,527,294 B1 \* 3/2003 Brewington et al. .... 280/647  
D484,075 S \* 12/2003 Kassai ..... D12/129  
6,752,405 B1 \* 6/2004 Wright ..... 280/47.38  
D580,828 S \* 11/2008 Chen ..... D12/129  
D585,336 S \* 1/2009 van Buul et al. .... D12/129

FIG. 1 is a front perspective view of a twin stroller showing our new design;  
FIG. 2 is a front view thereof;  
FIG. 3 is a rear view thereof;  
FIG. 4 is a left side view thereof;  
FIG. 5 is a right side view thereof;  
FIG. 6 is a top plan view thereof; and,  
FIG. 7 is a perspective view thereof in an exploded condition.

**1 Claim, 7 Drawing Sheets**

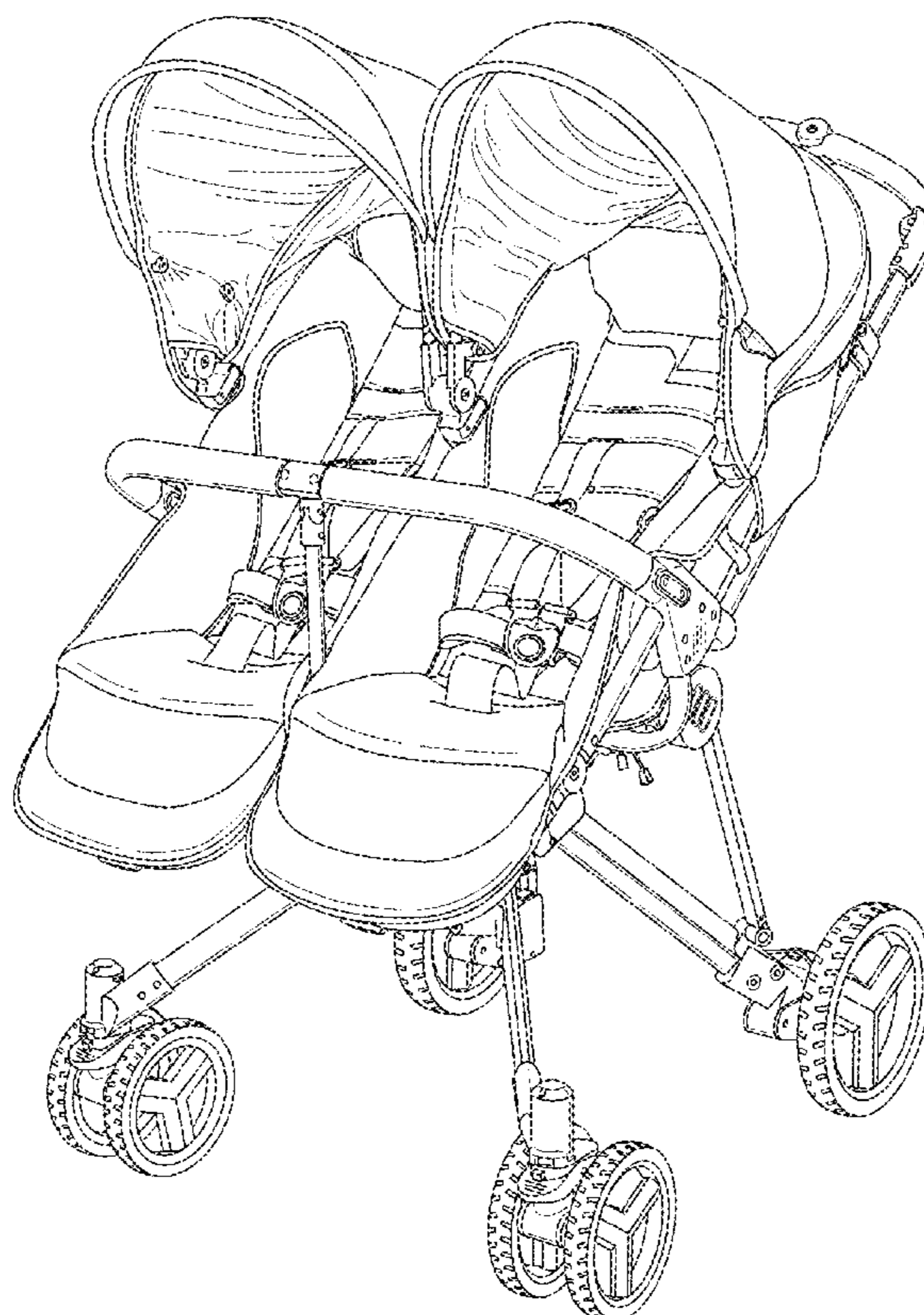


Fig. 1

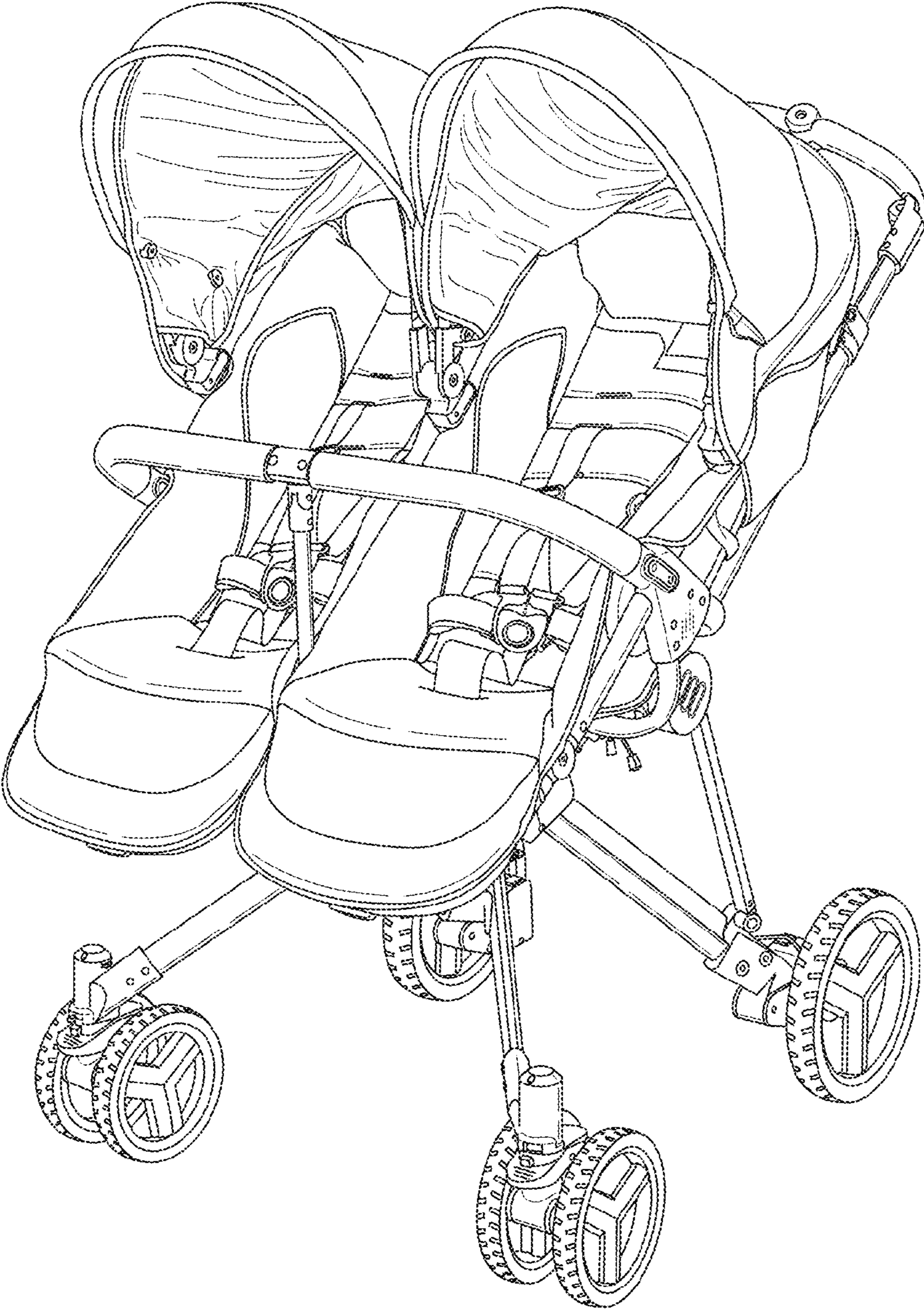


Fig.2

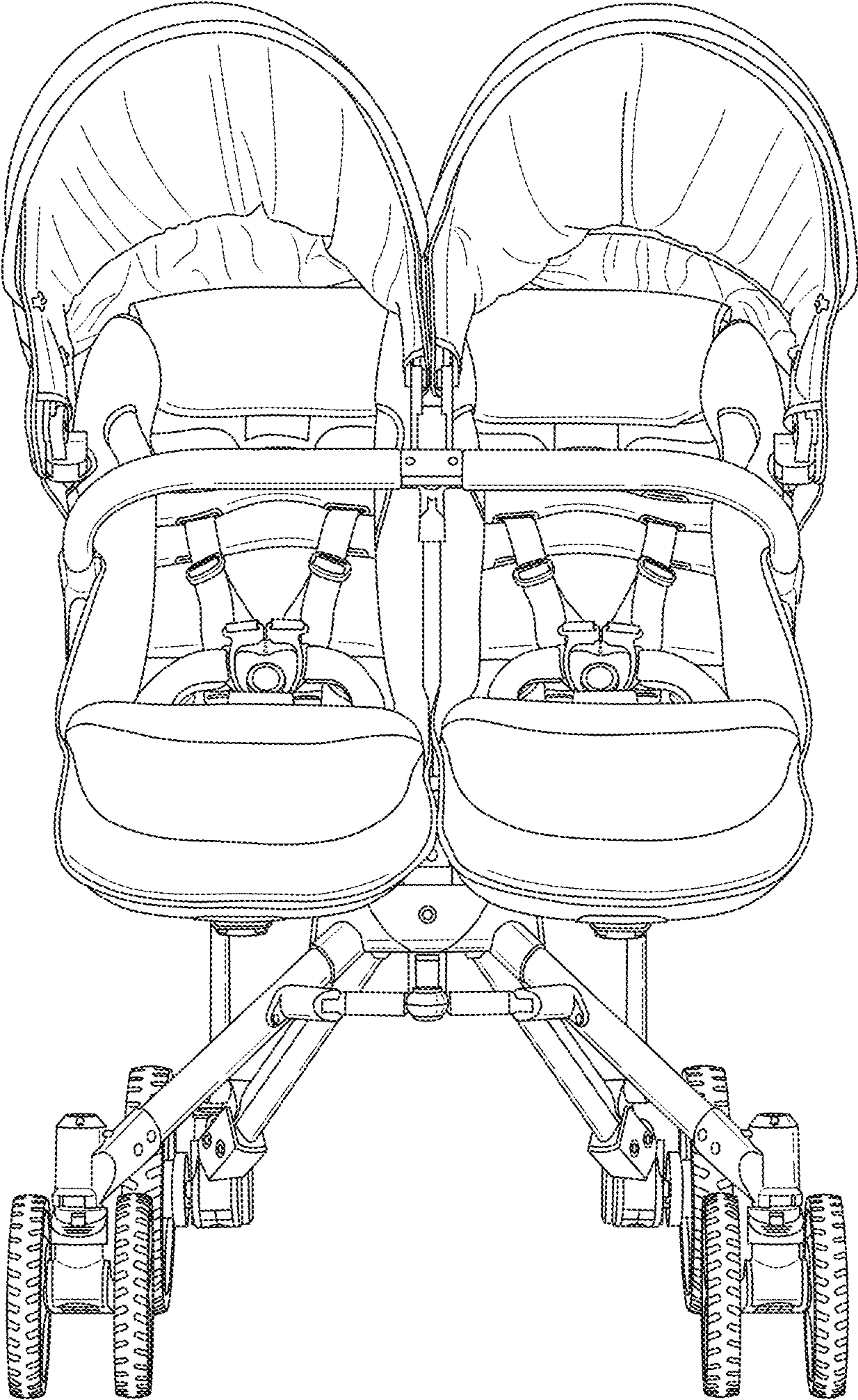


Fig.3

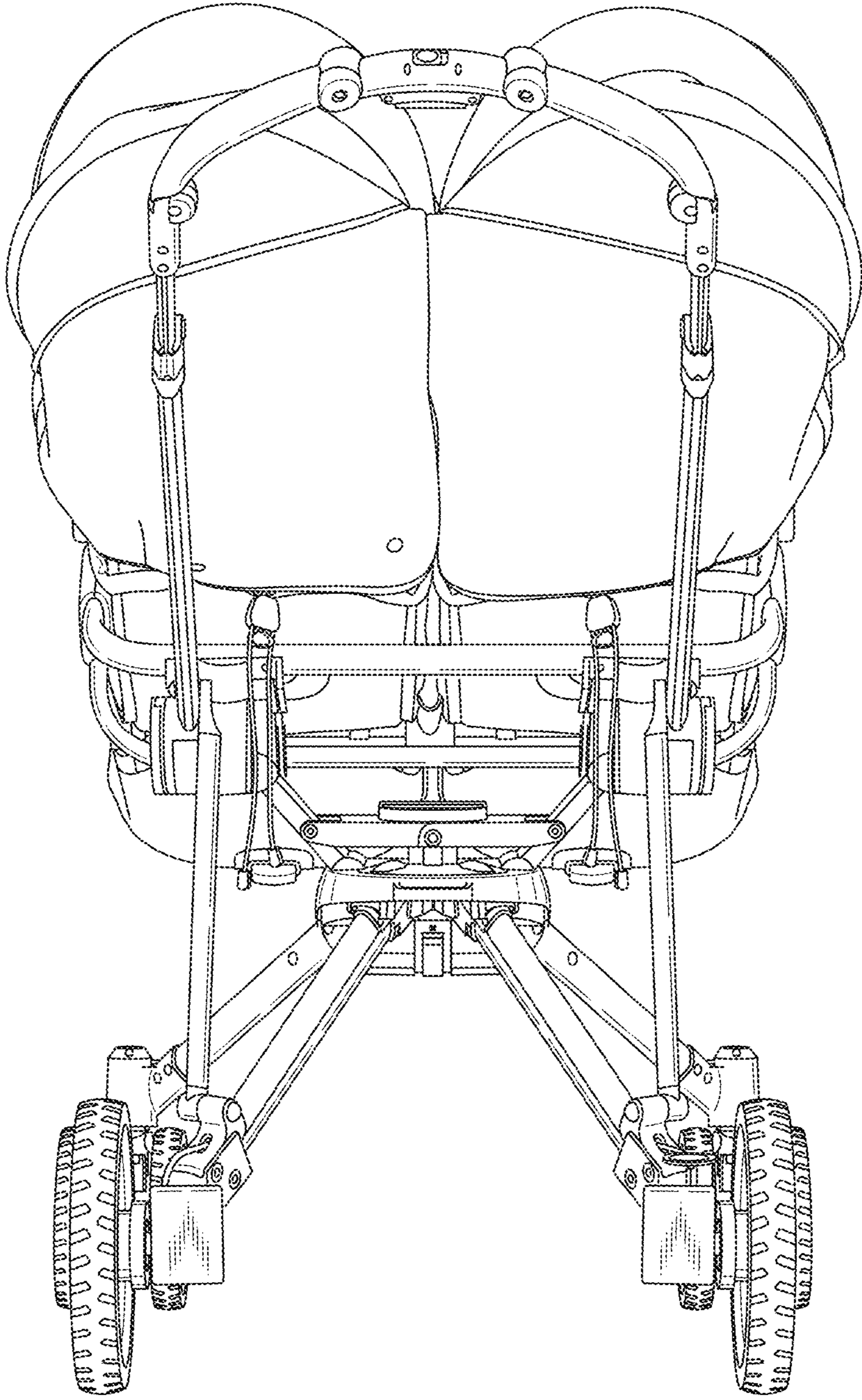


Fig.4

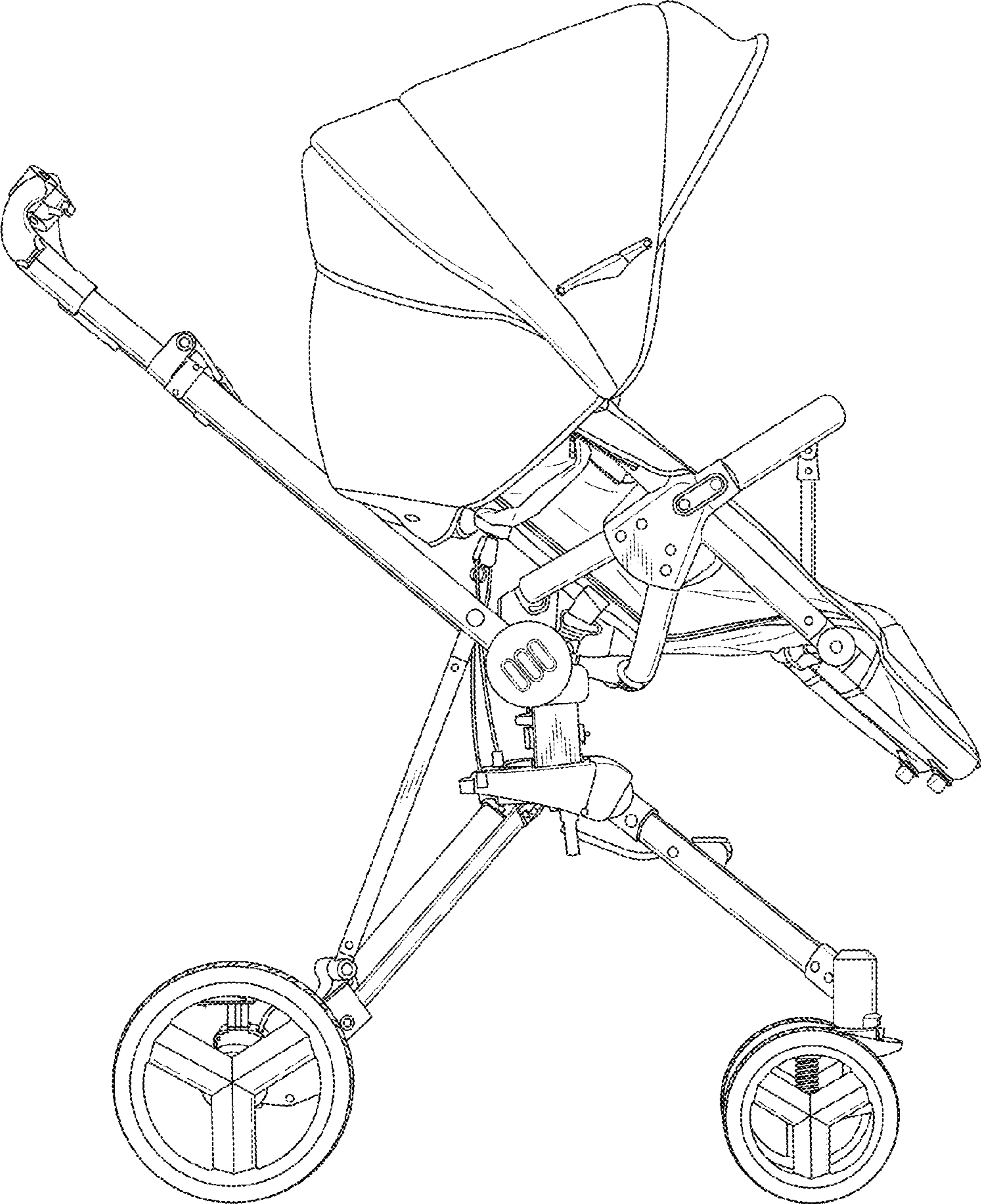


Fig.5

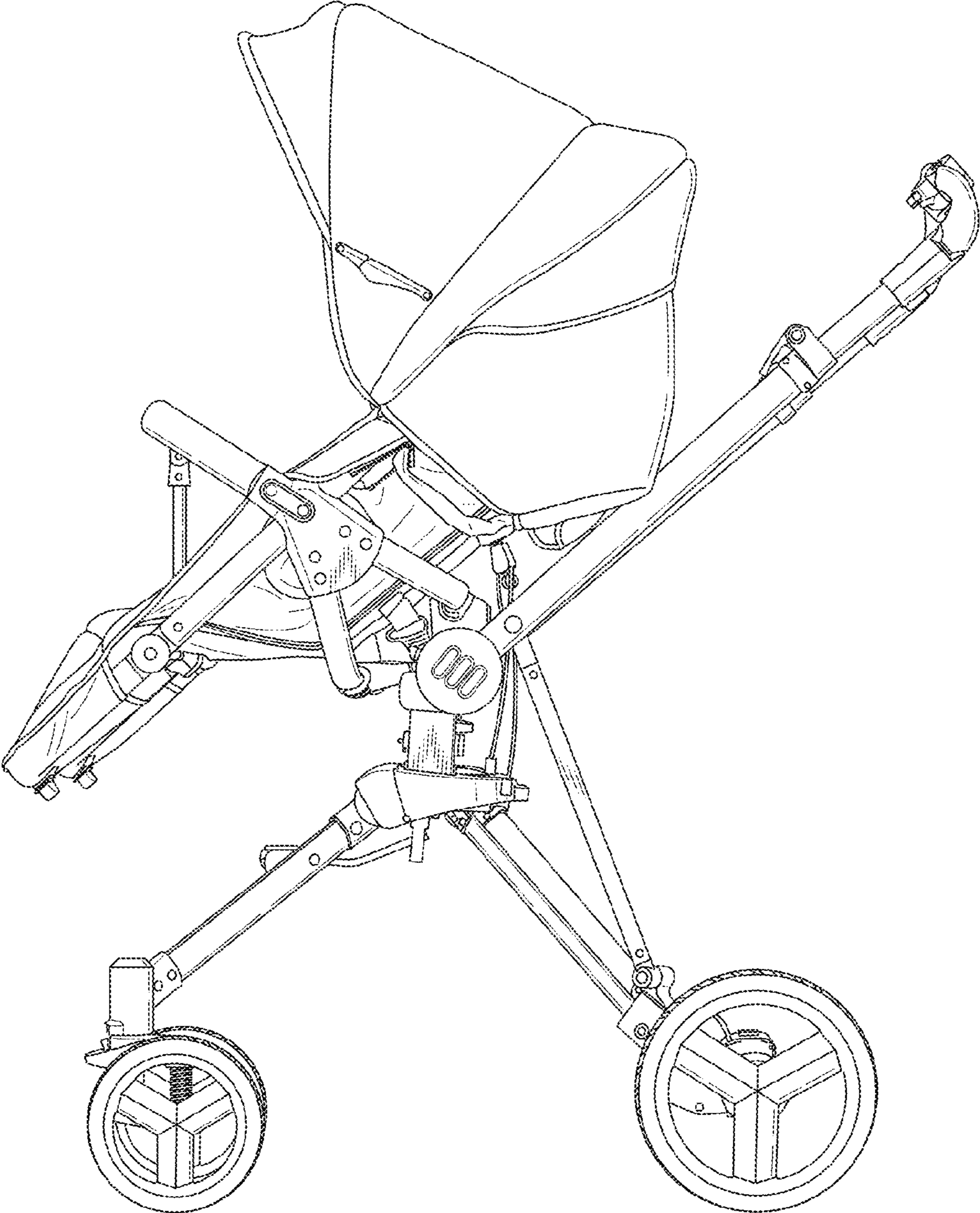


Fig.6

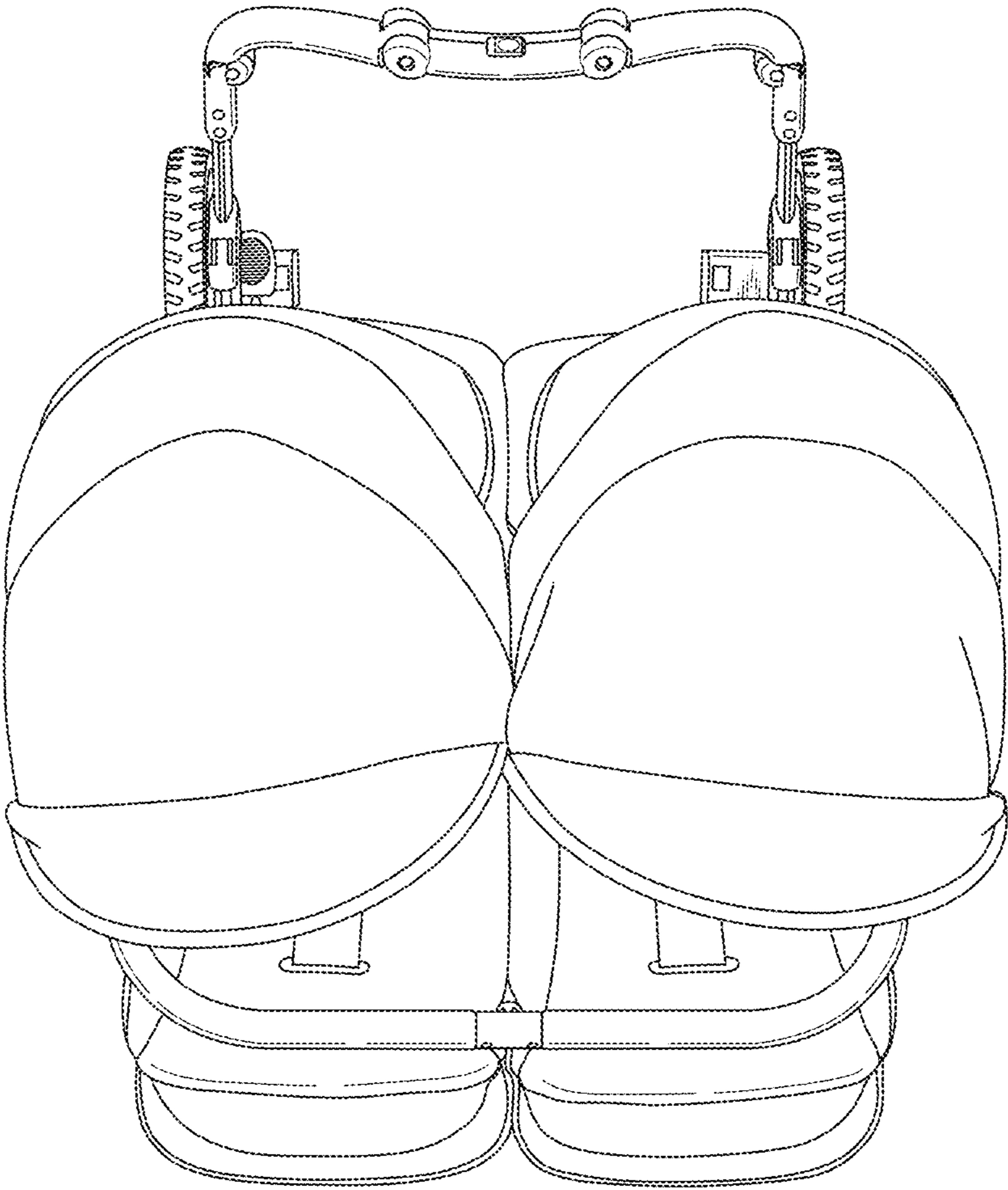


Fig. 7

