

US00D699631S

(12) **United States Design Patent**
Lian et al.

(10) **Patent No.:** **US D699,631 S**
(45) **Date of Patent:** **** Feb. 18, 2014**

(54) **AUTOMOBILE**

(75) Inventors: **Yubo Lian**, Guangdong (CN); **Ka Dan**,
Guangdong (CN); **Changjiu Liu**,
Guangdong (CN); **Wenquan Tang**,
Guangdong (CN); **Changshu**
Shangguan, Guangdong (CN); **Jihan**
Fan, Guangdong (CN)

(73) Assignee: **BYD Company Ltd.**, Guangdong (CN)

(**) Term: **14 Years**

(21) Appl. No.: **29/432,107**

(22) Filed: **Sep. 13, 2012**

(30) **Foreign Application Priority Data**

Mar. 14, 2012 (CN) 2012 3 0059657

(51) **LOC (10) Cl.** **12-08**

(52) **U.S. Cl.**
USPC **D12/92**

(58) **Field of Classification Search**
USPC D12/86, 90-92; D21/424, 433, 434;
296/181.1, 181.5

See application file for complete search history.

(56) **References Cited**

U.S. PATENT DOCUMENTS

D667,342 S *	9/2012	Kobayashi et al.	D12/91
D667,343 S *	9/2012	Fukui et al.	D12/92
D667,344 S *	9/2012	Matsuno et al.	D12/92
D671,459 S *	11/2012	Yamada et al.	D12/92
D686,533 S *	7/2013	Jang	D12/92

* cited by examiner

Primary Examiner — Melody Brown

(74) *Attorney, Agent, or Firm* — Morgan, Lewis & Bockius
LLP

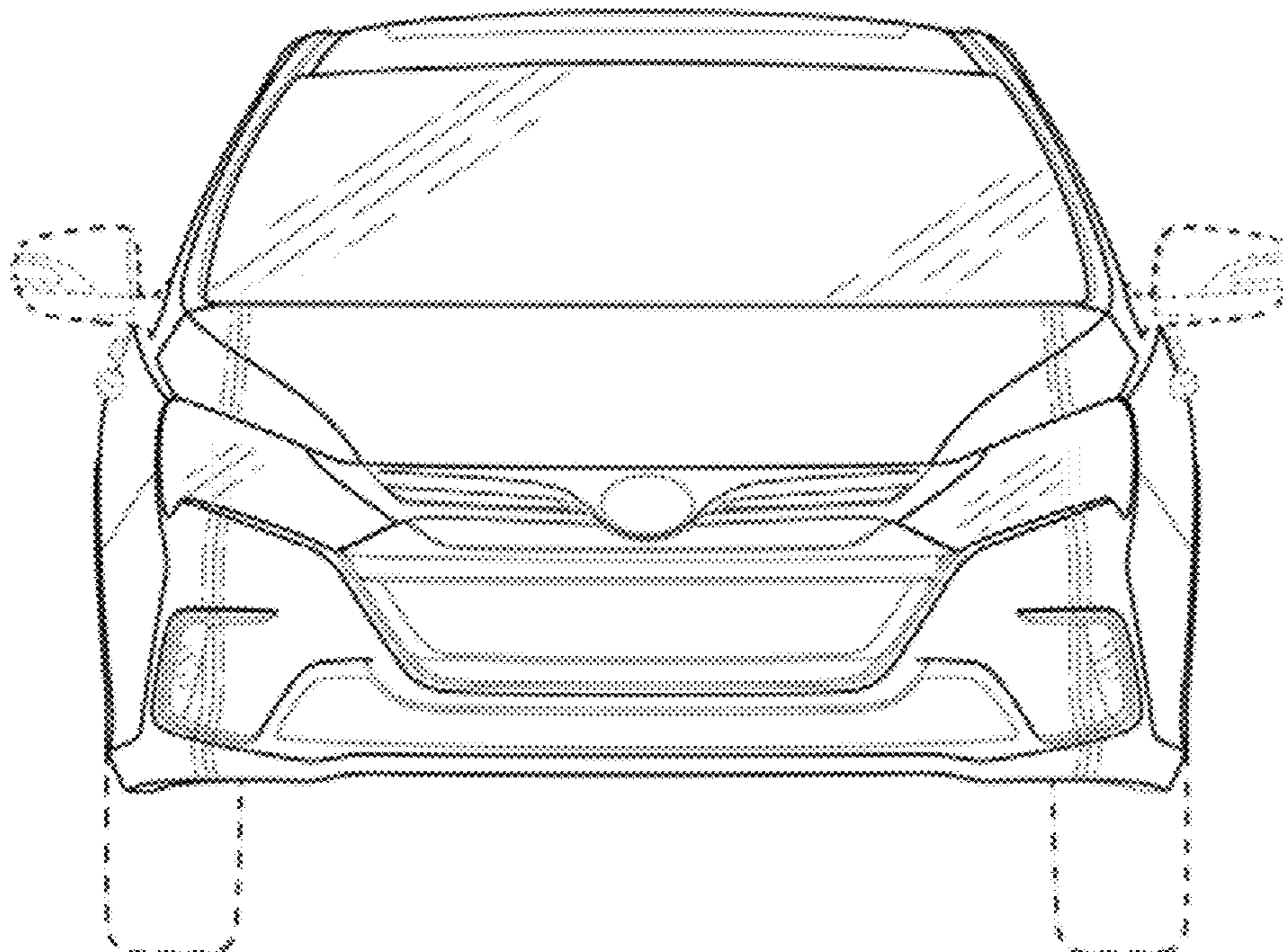
(57) **CLAIM**

The ornamental design for an automobile, as shown and
described.

DESCRIPTION

FIG. 1 is a front view of an automobile showing our new
design;
FIG. 2 is a rear view thereof;
FIG. 3 is a right side view thereof, the left side view being a
mirror image thereof, except for the fuel door which is not
present on the left side;
FIG. 4 is a top view thereof;
FIG. 5 is a perspective view thereof; and,
FIG. 6 is a perspective view thereof.
The broken lines depict environmental structure and the ele-
ments depicted in broken lines form no part of the claimed
design.

1 Claim, 4 Drawing Sheets



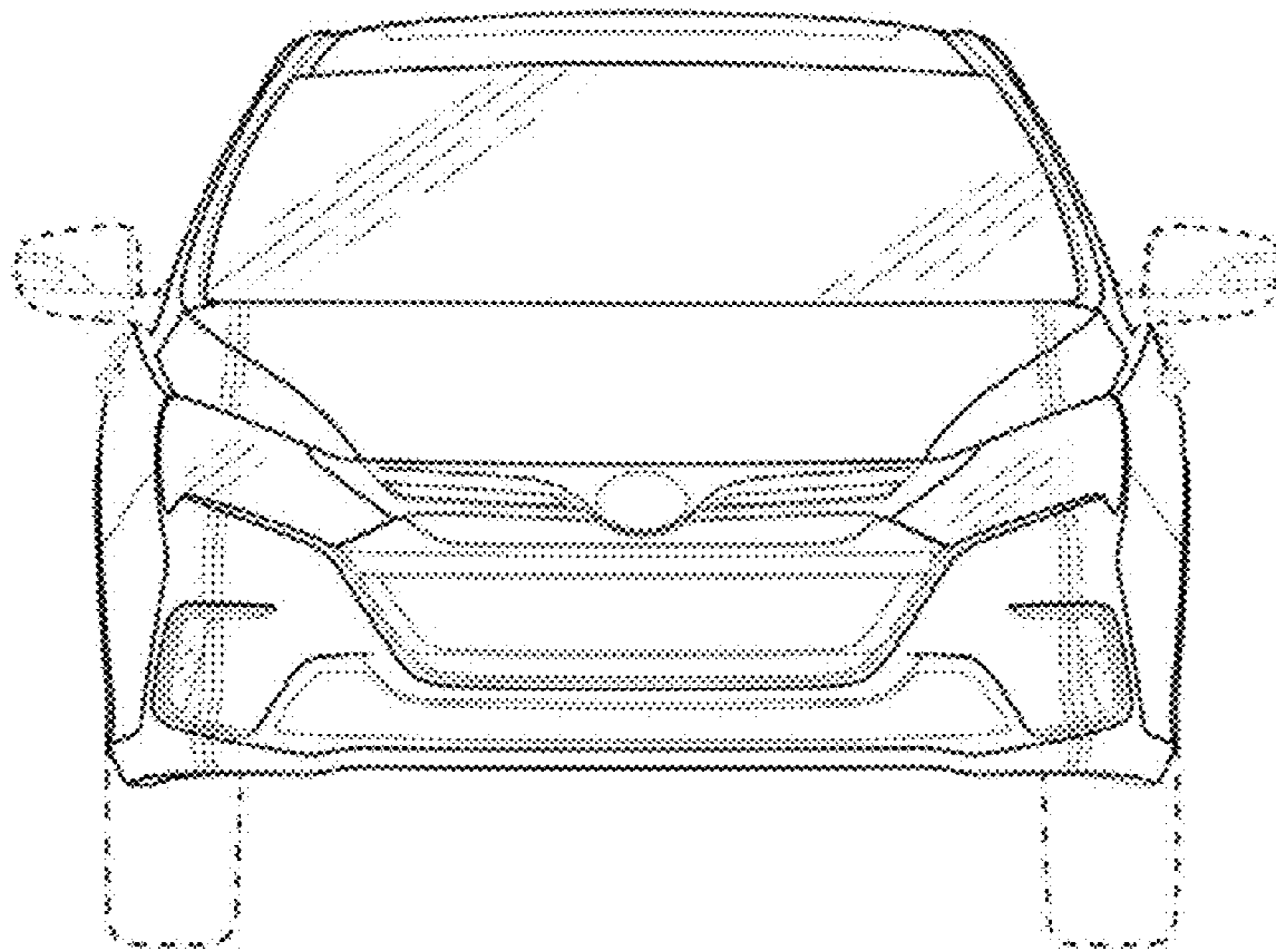


Fig. 1

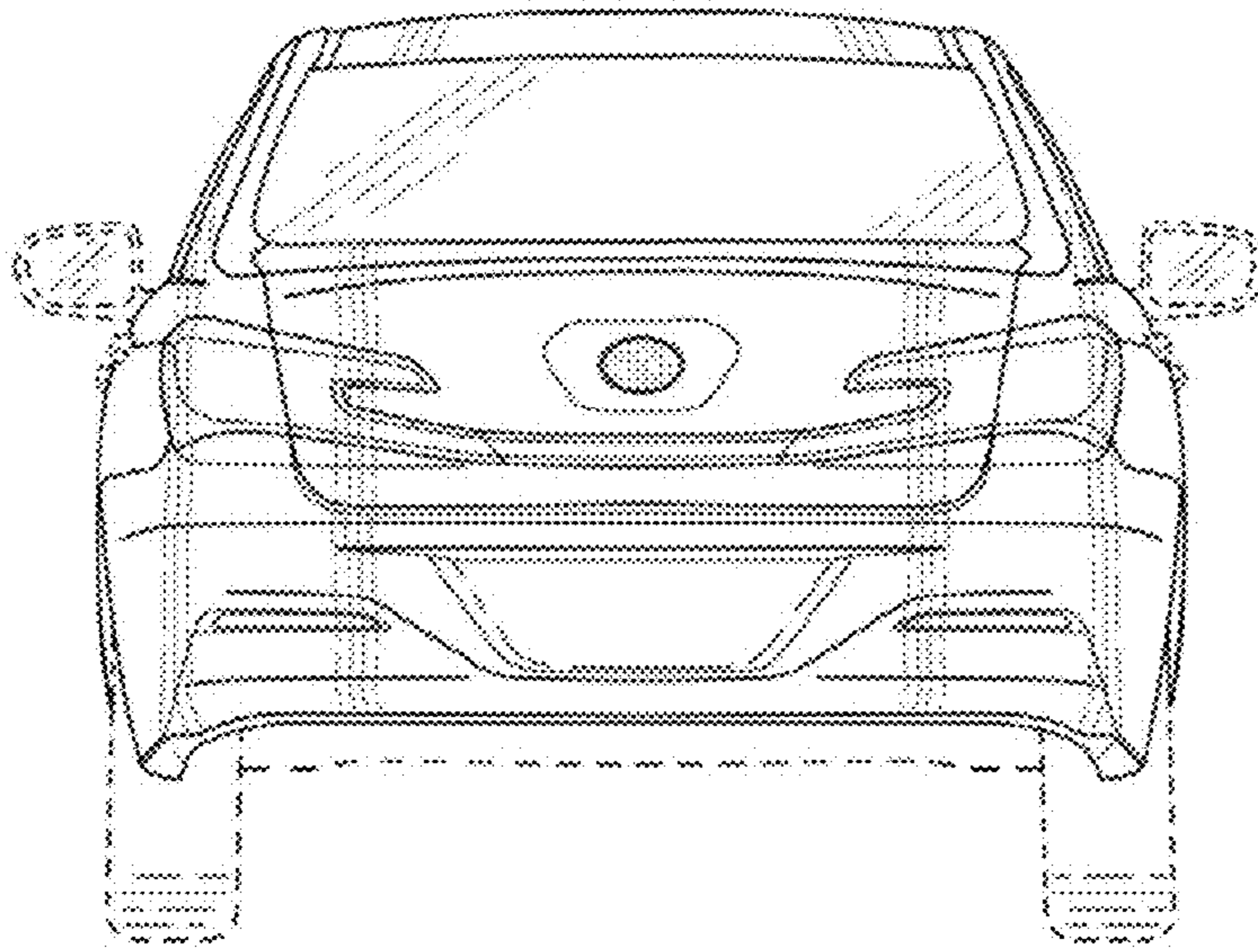


Fig. 2

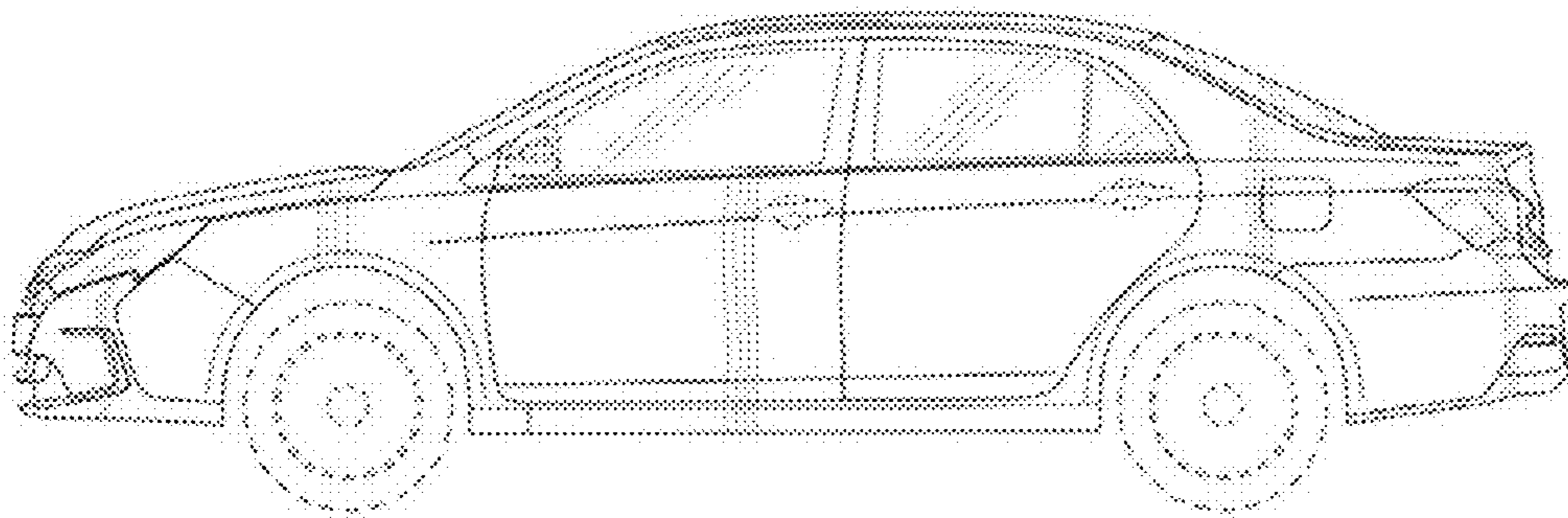


Fig. 3

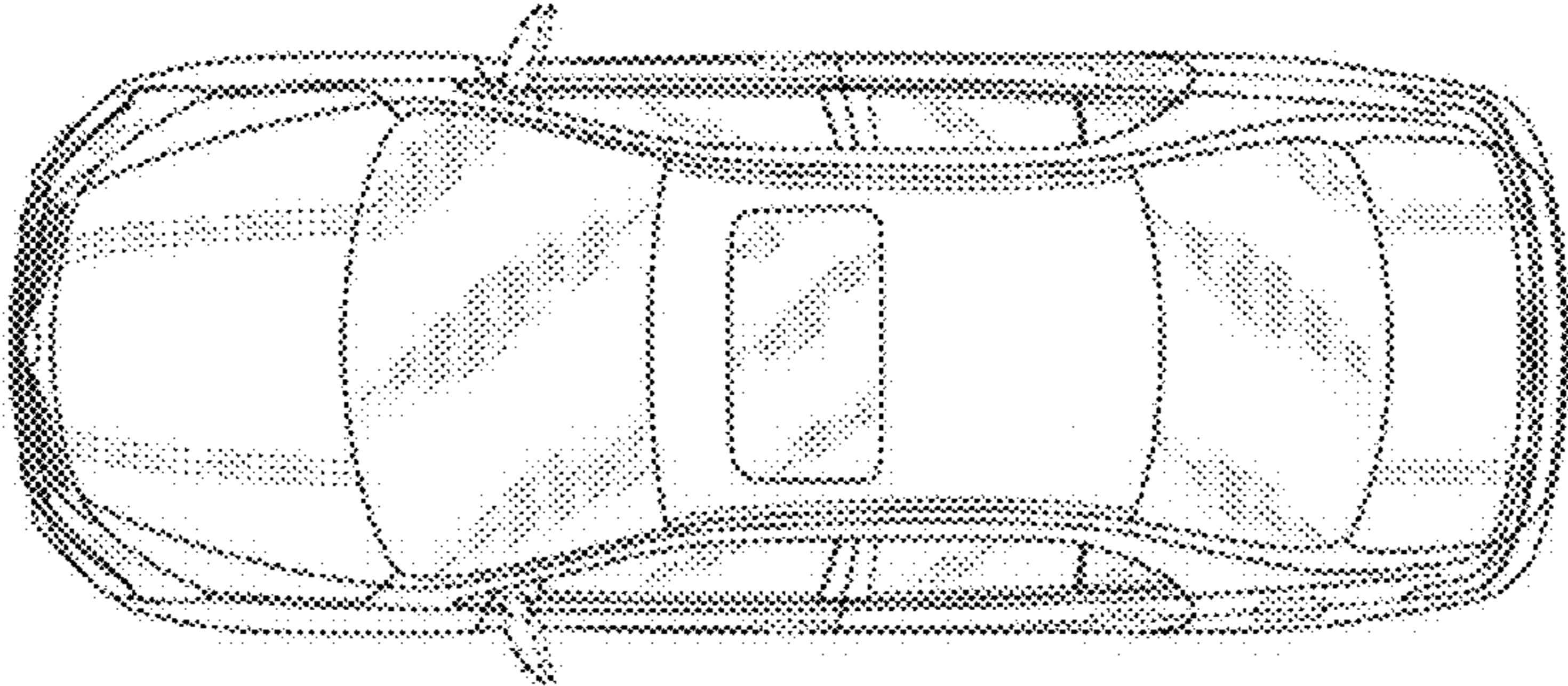


Fig. 4

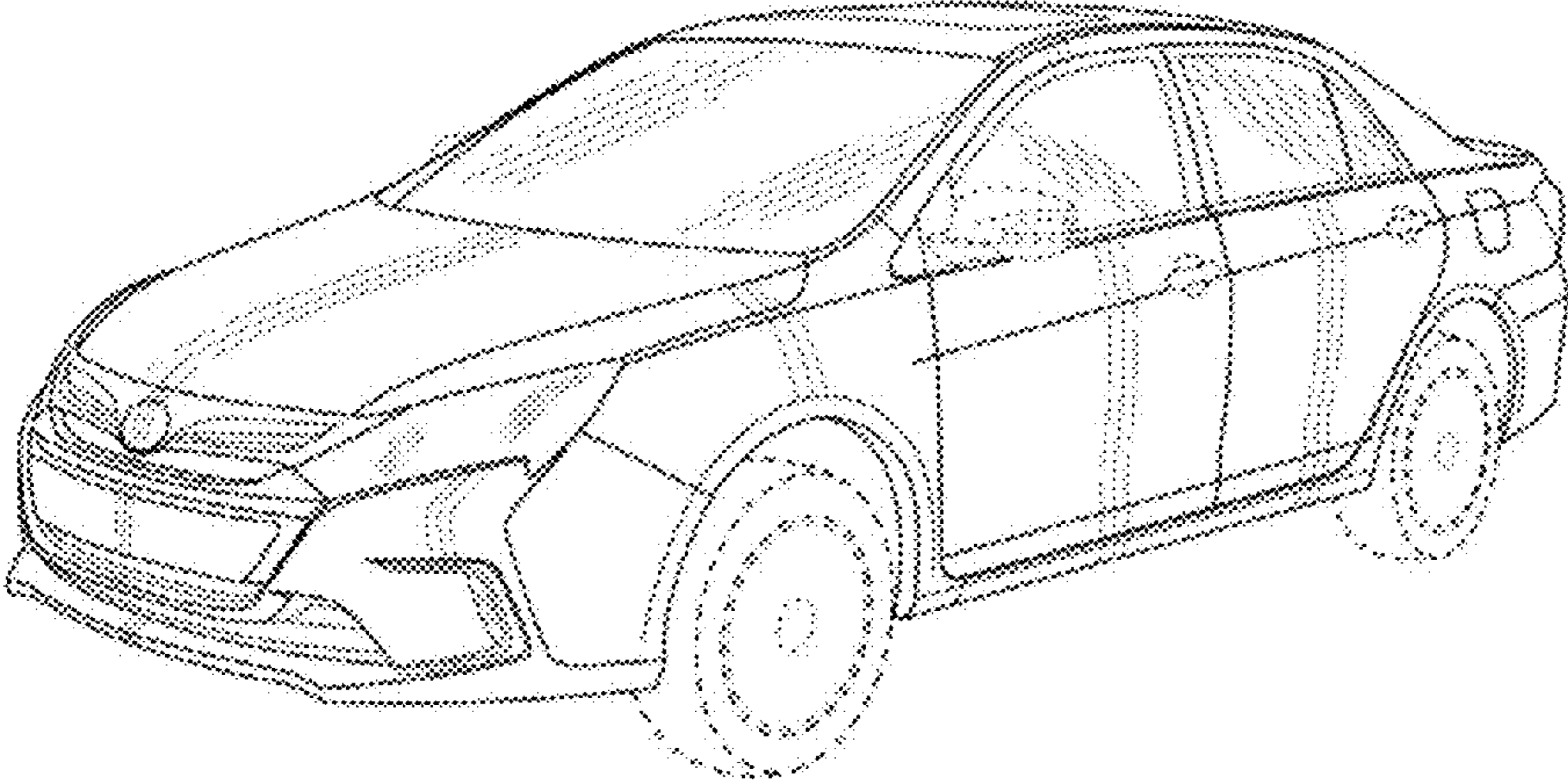


Fig. 5

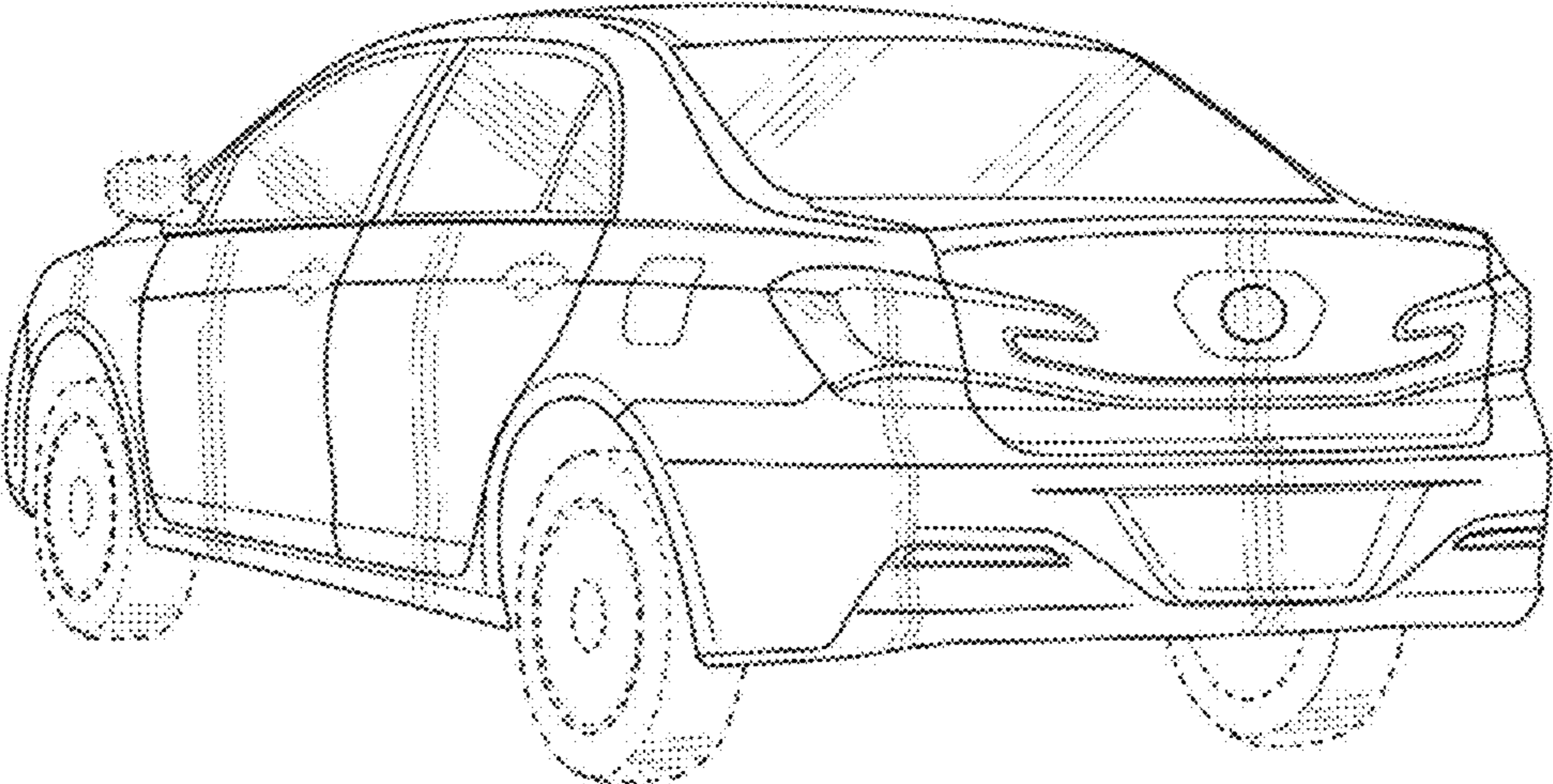


Fig. 6