



US00D699629S

(12) **United States Design Patent**
Ikeda et al.

(10) **Patent No.:** **US D699,629 S**

(45) **Date of Patent:** **** Feb. 18, 2014**

(54) **VEHICLE BODY EXTERIOR**

OTHER PUBLICATIONS

(75) Inventors: **Morio Ikeda**, Sao Paulo (BR); **Daniel S. Nozaki**, Sao Paulo (BR)

Design U.S. Appl. No. 29/392,615, filed May 24, 2011; First Named Inventor: Carlos M. Barba Franco; Title: Vehicle Body.

(73) Assignee: **GM Global Technology Operations LLC**, Detroit, MI (US)

Design U.S. Appl. No. 29/406,032, filed Nov. 9, 2011; First Named Inventor: In Ho Song; Title: Vehicle Body.

(**) Term: **14 Years**

Design U.S. Appl. No. 29/406,041, filed Nov. 9, 2011; First Named Inventor: Morio Ikeda; Title: Vehicle Body.

(21) Appl. No.: **29/428,494**

Design U.S. Appl. No. 29/407,580, filed Nov. 30, 2011; First Named Inventor: Robert J. Munson; Title: Vehicle Body.

(22) Filed: **Jul. 31, 2012**

Design U.S. Appl. No. 29/414,260, filed Feb. 27, 2012; First Named Inventor: Steven M. McCabe; Title: Vehicle Body.

(51) **LOC (10) Cl.** **12-08**

Design U.S. Appl. No. 29/416,870, filed Mar. 28, 2012; First Named Inventor: Joshua L. Thurber; Title: Vehicle Body.

(52) **U.S. Cl.**

* cited by examiner

USPC **D12/91**

(58) **Field of Classification Search**

Primary Examiner — Melody Brown

USPC D12/86, 90–92; D21/424, 433, 434;
296/181.1, 181.5

(74) *Attorney, Agent, or Firm* — Lionel D. Anderson;
Reising Ethington P.C.

See application file for complete search history.

(56) **References Cited**

(57) **CLAIM**

U.S. PATENT DOCUMENTS

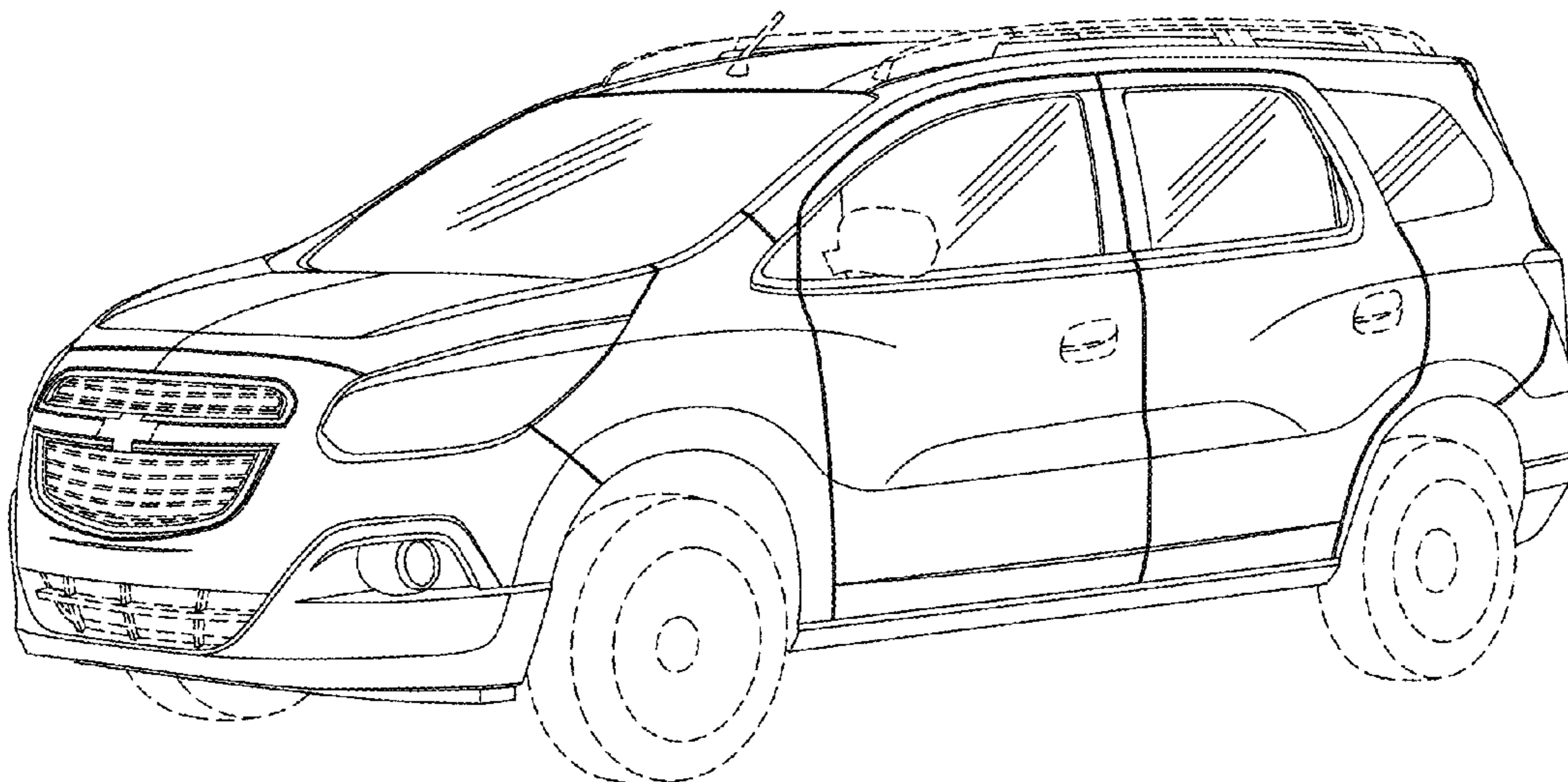
The ornamental design for a vehicle body exterior, as shown and described.

D592,105 S	5/2009	Dean et al.	
D597,447 S	8/2009	Folden	
D605,083 S	12/2009	Manoogian, II et al.	
D605,978 S	12/2009	Wolff et al.	
D608,690 S	1/2010	Folden et al.	
D608,691 S	1/2010	Zak, Jr. et al.	
D609,608 S	2/2010	Boniface et al.	
D611,387 S	3/2010	Thompson et al.	
D613,645 S	4/2010	Song et al.	
D615,458 S	5/2010	Thompson et al.	
D630,133 S *	1/2011	Eum	D12/91
D635,488 S	4/2011	Phipps	
D644,567 S	9/2011	Kozub	
D651,942 S *	1/2012	Cho	D12/91
D651,943 S *	1/2012	Stolfo et al.	D12/91
D678,820 S *	3/2013	Song et al.	D12/91
D685,677 S *	7/2013	Jeon	D12/91

DESCRIPTION

FIG. 1 is a front view of a vehicle body exterior;
FIG. 2 is a perspective view of the vehicle body exterior;
FIG. 3 is a right side view of the vehicle body exterior;
FIG. 4 is a left side view of the vehicle body exterior;
FIG. 5 is another perspective view of the vehicle body exterior; and,
FIG. 6 is a rear view of the vehicle body exterior.
In the drawings, the portions shown by broken lines form no part of the claim.

1 Claim, 6 Drawing Sheets



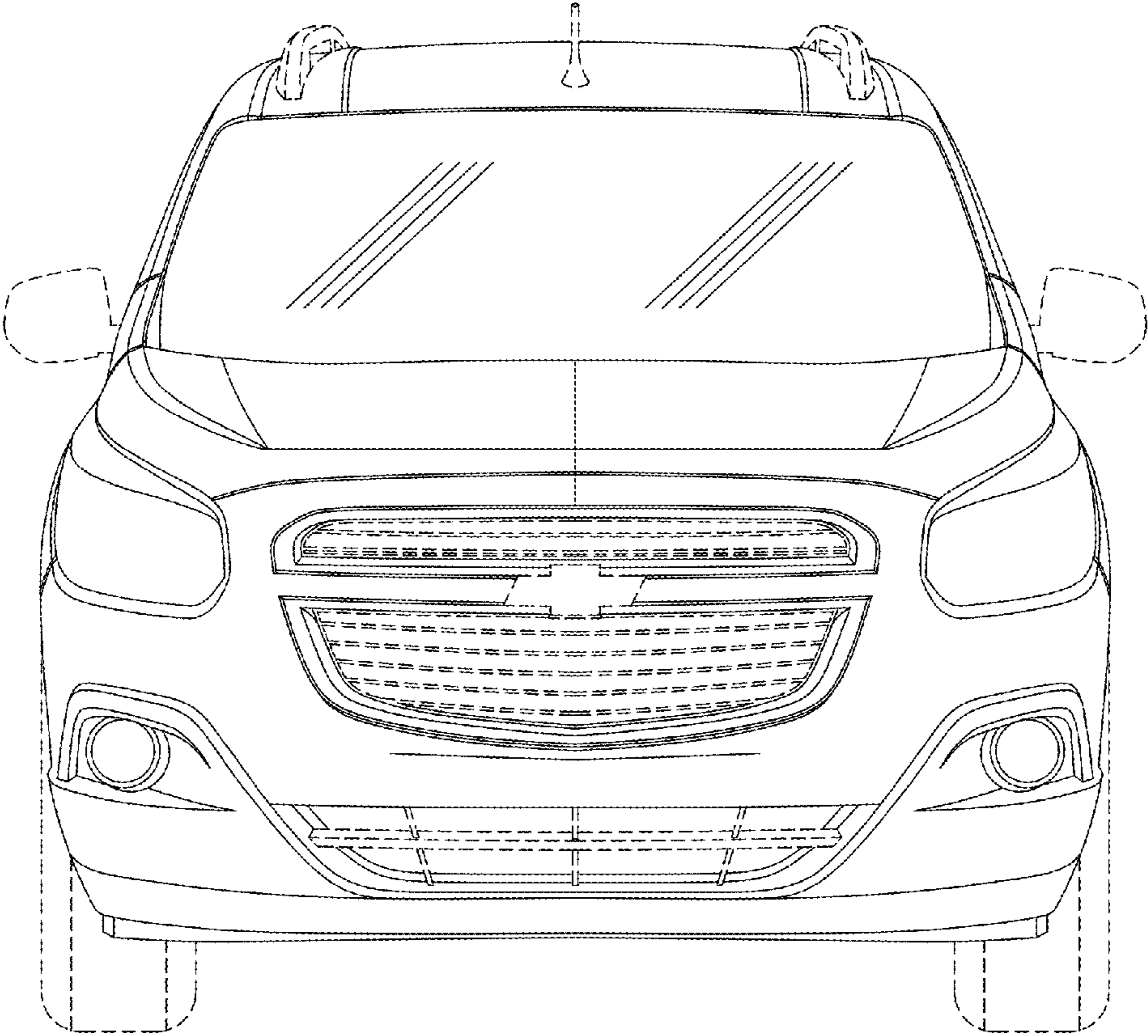


Fig-1

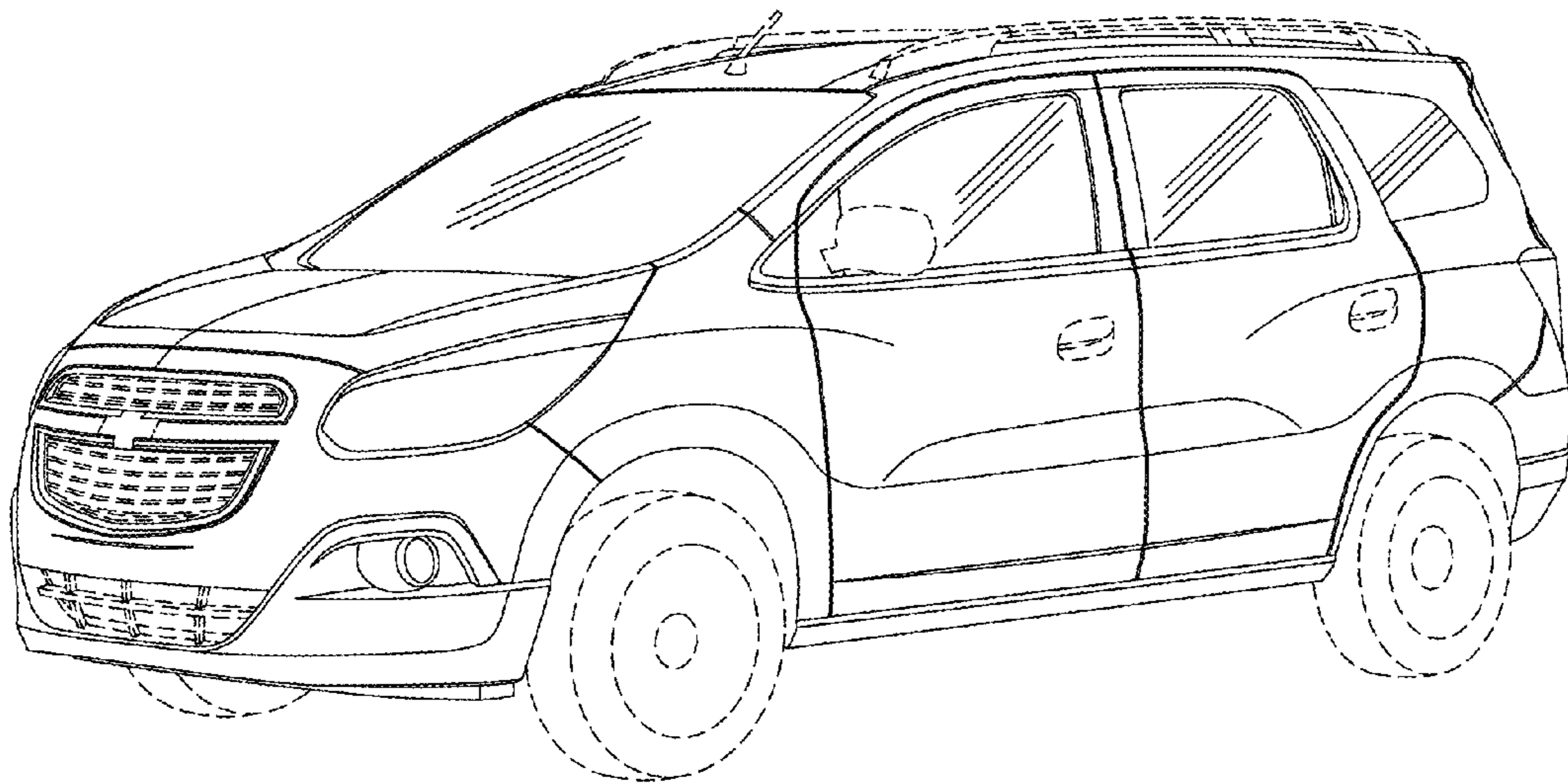


Fig-2

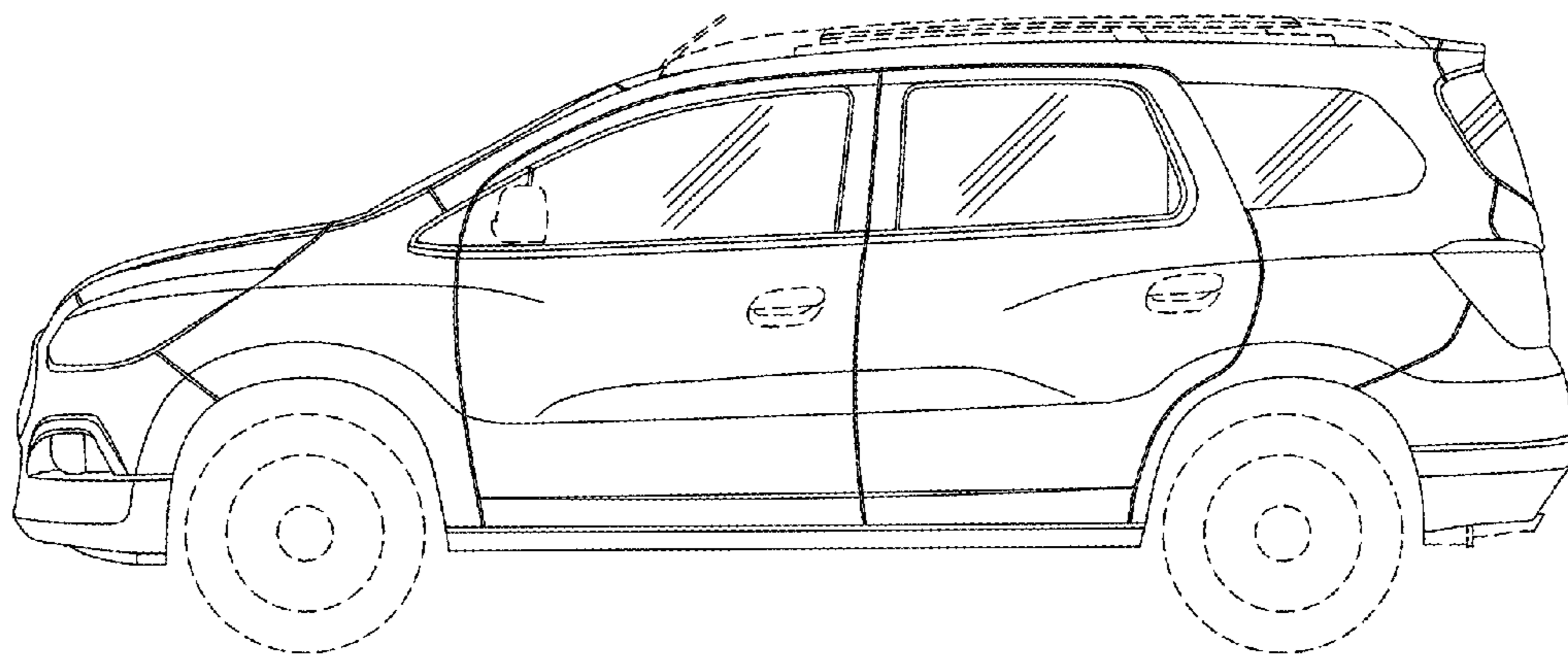


Fig-3

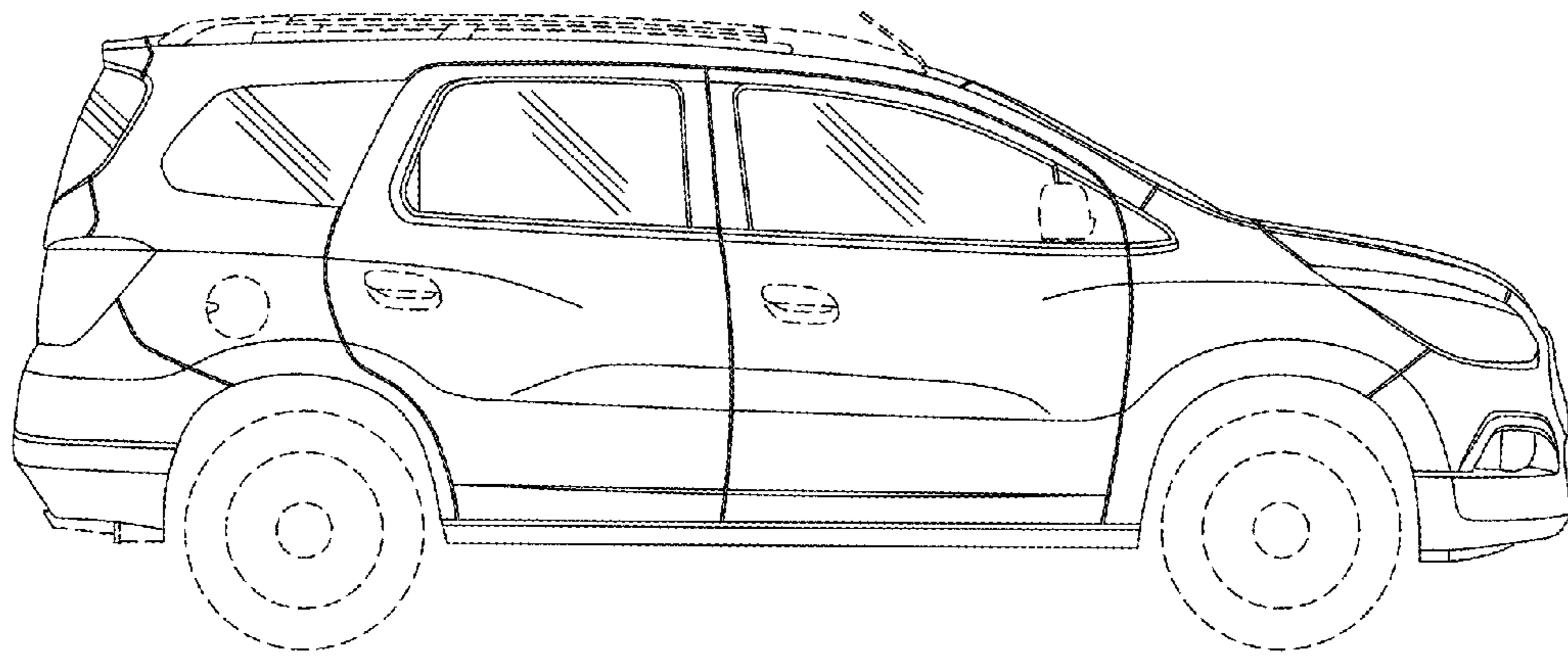


Fig-4

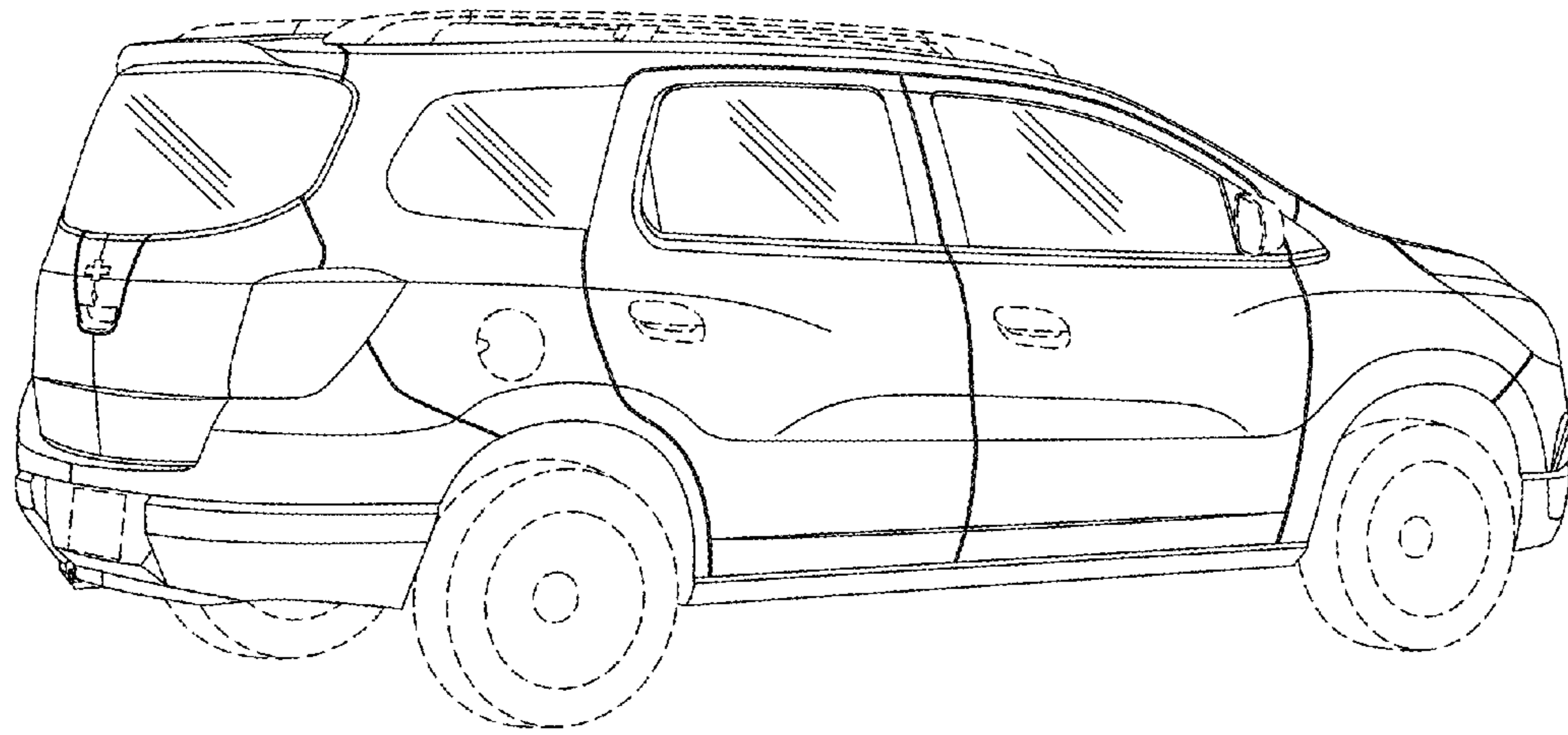


Fig-5

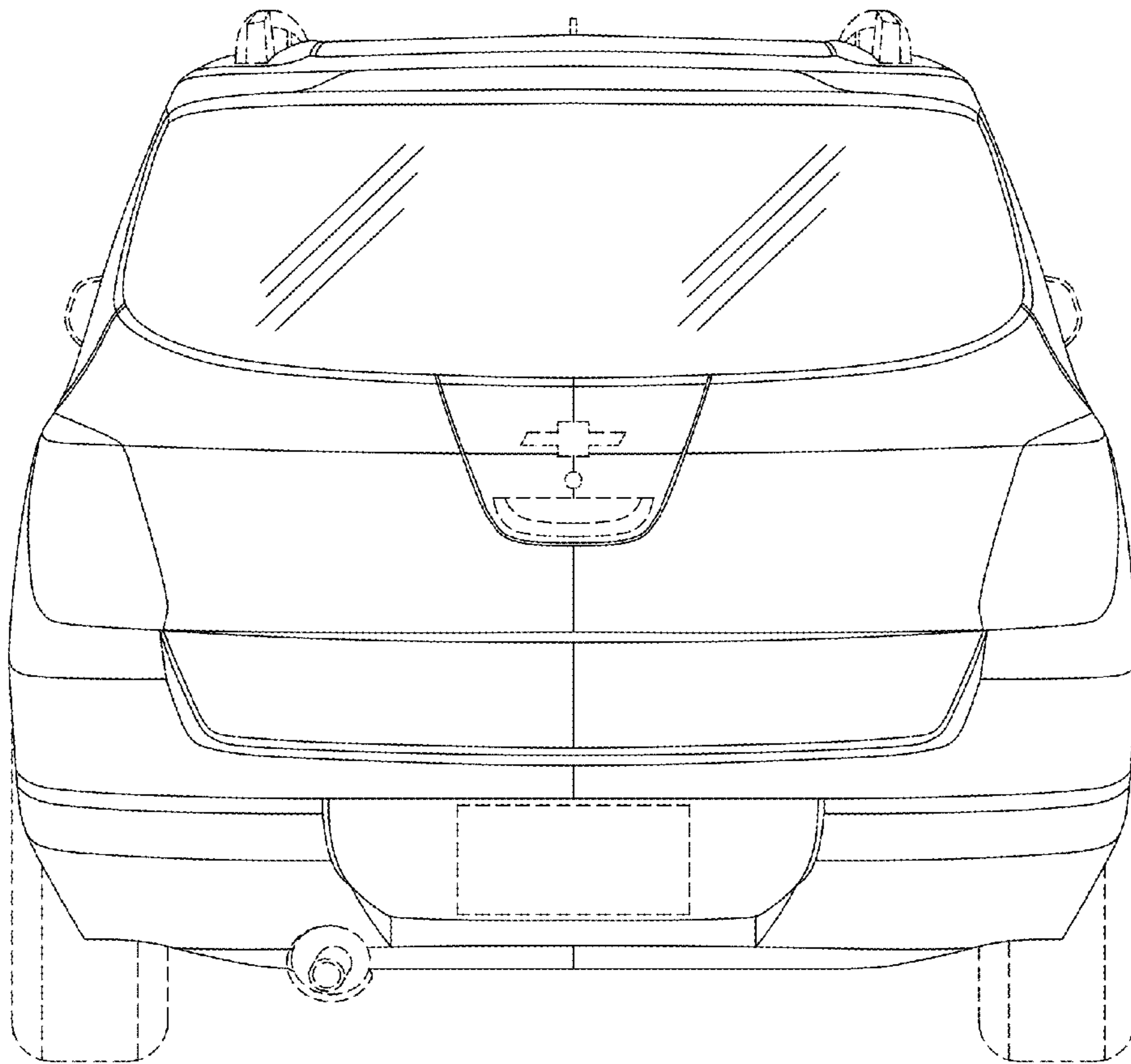


Fig-6