



US00D699627S

(12) **United States Design Patent**
Tang

(10) **Patent No.:** **US D699,627 S**

(45) **Date of Patent:** **** Feb. 18, 2014**

(54) **UTILITY TERRAIN VEHICLE**

D670,198 S * 11/2012 Li et al. D12/14
D675,960 S * 2/2013 Hashimoto et al. D12/87
8,382,125 B2 * 2/2013 Sundahl et al. 280/5.511

(76) Inventor: **Xubo Tang**, Zhejiang Province (CN)

* cited by examiner

(**) Term: **14 Years**

Primary Examiner — T. Chase Nelson

(21) Appl. No.: **29/424,157**

Assistant Examiner — Ania Aman

(22) Filed: **Jun. 7, 2012**

(57) **CLAIM**

(51) **LOC (10) Cl.** **12-13**

The ornamental design for an utility terrain vehicle, as shown and described.

(52) **U.S. Cl.**

USPC **D12/14**

(58) **Field of Classification Search**

USPC D12/14, 1, 87, 86, 433, 15, 16, 107, 82,
D12/88, 89, 90, 91, 92, 93; D21/803;
180/233, 908; 208/DIG. 5, 183, 184,
208/185, 186, 28, 37.7

DESCRIPTION

See application file for complete search history.

FIG. 1 is a front elevational view of an utility terrain vehicle showing my new design at an enlarged scale;
FIG. 2 is a rear elevational view thereof at an enlarged scale;
FIG. 3 is a left side view thereof;
FIG. 4 is a right side view thereof;
FIG. 5 is a top plan view thereof;
FIG. 6 is a perspective view thereof; and,
FIG. 7 is another perspective view thereof.
The broken lines shown form no part of the claimed design.

(56) **References Cited**

U.S. PATENT DOCUMENTS

D604,201 S * 11/2009 Kawaguchi et al. D12/14
D642,493 S * 8/2011 Goebert et al. D12/87

1 Claim, 7 Drawing Sheets



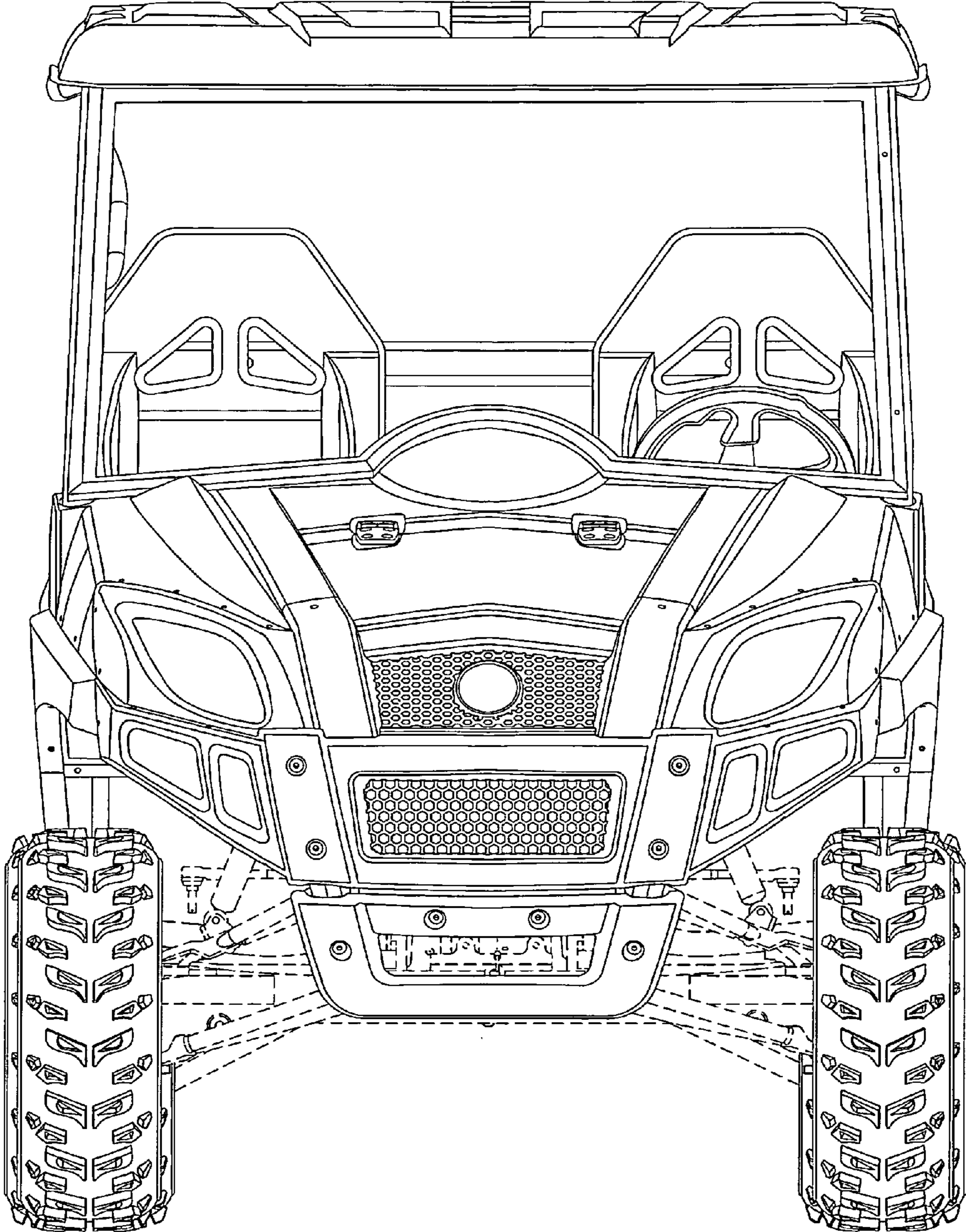


FIG. 1

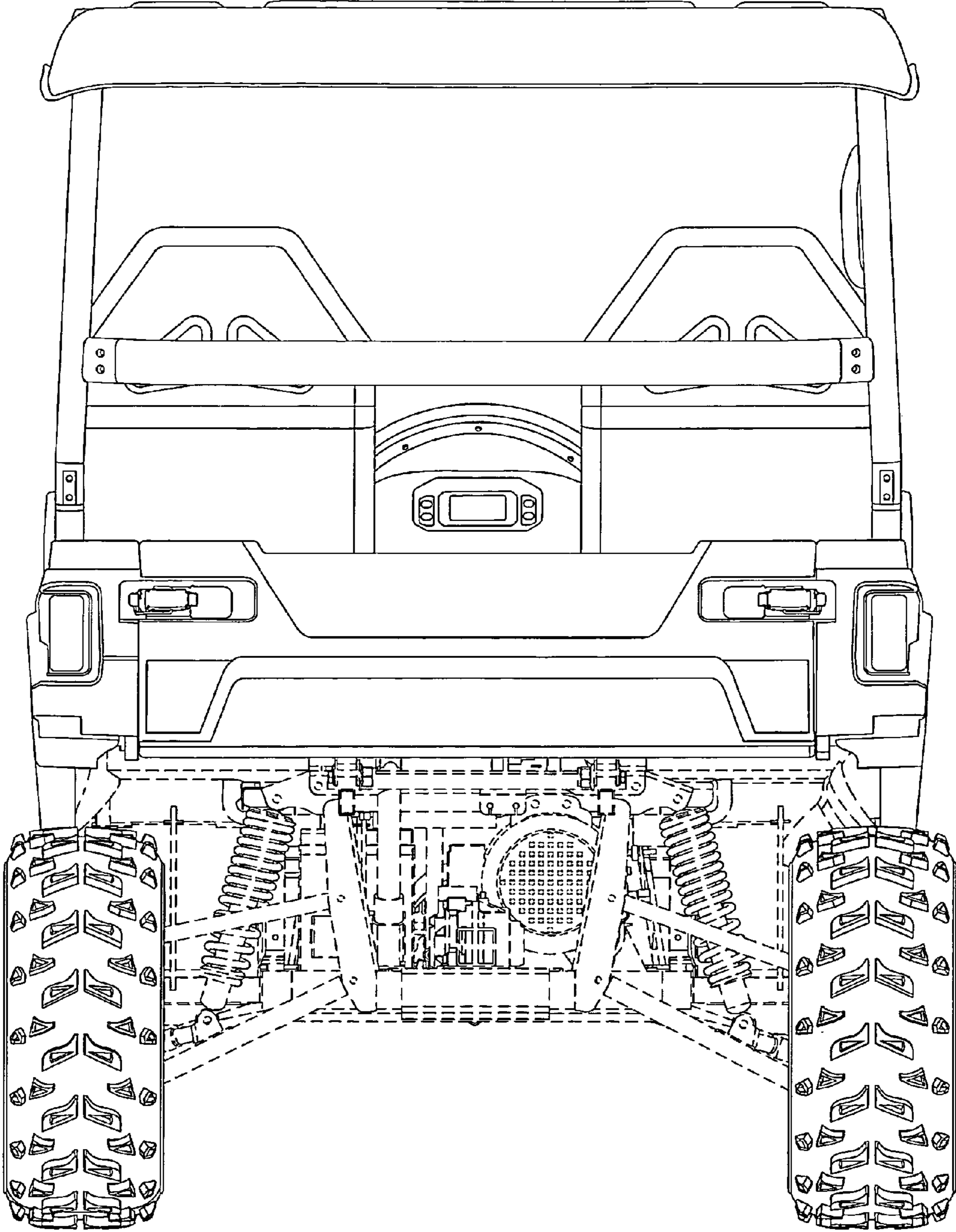


FIG. 2

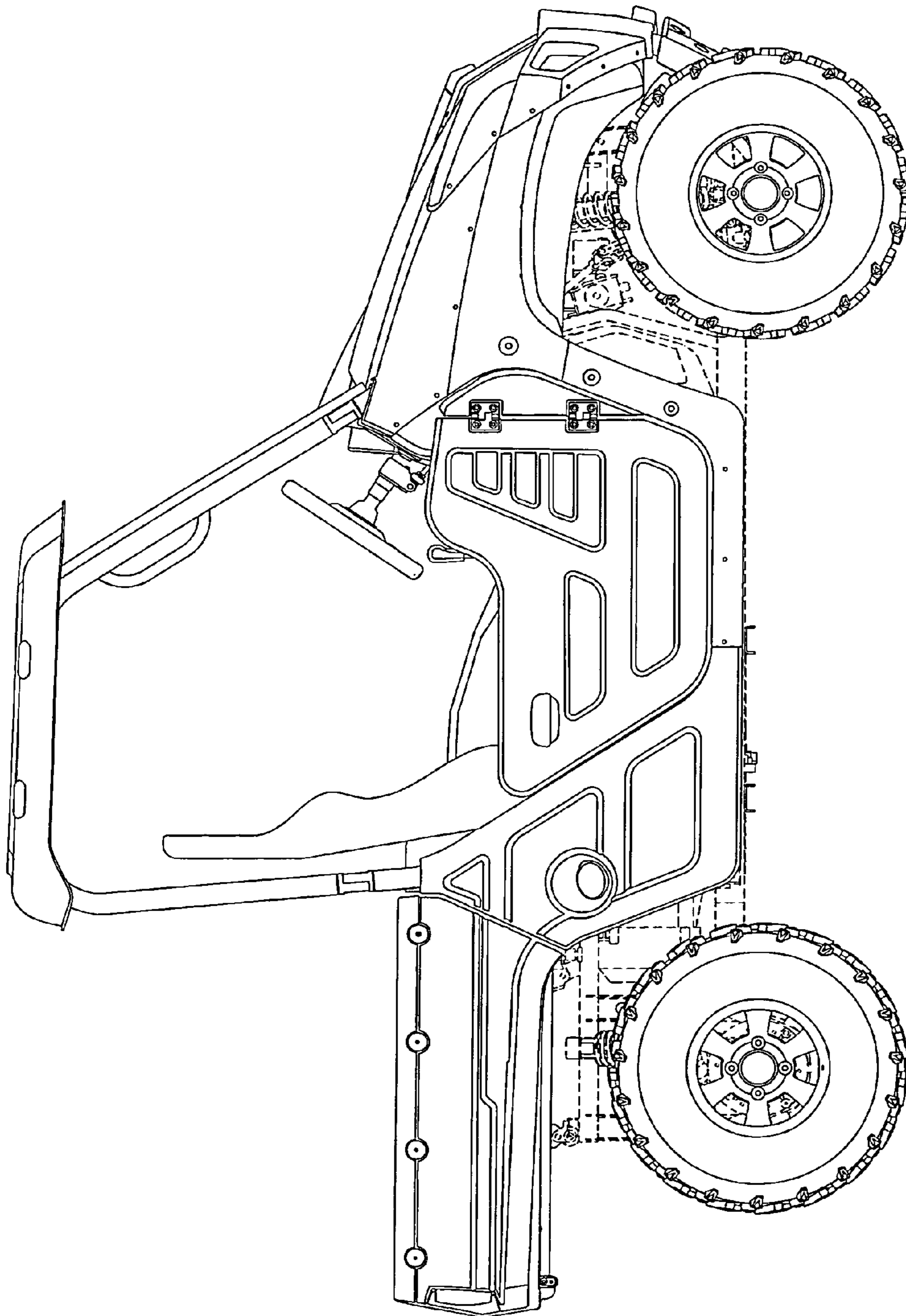


FIG. 3

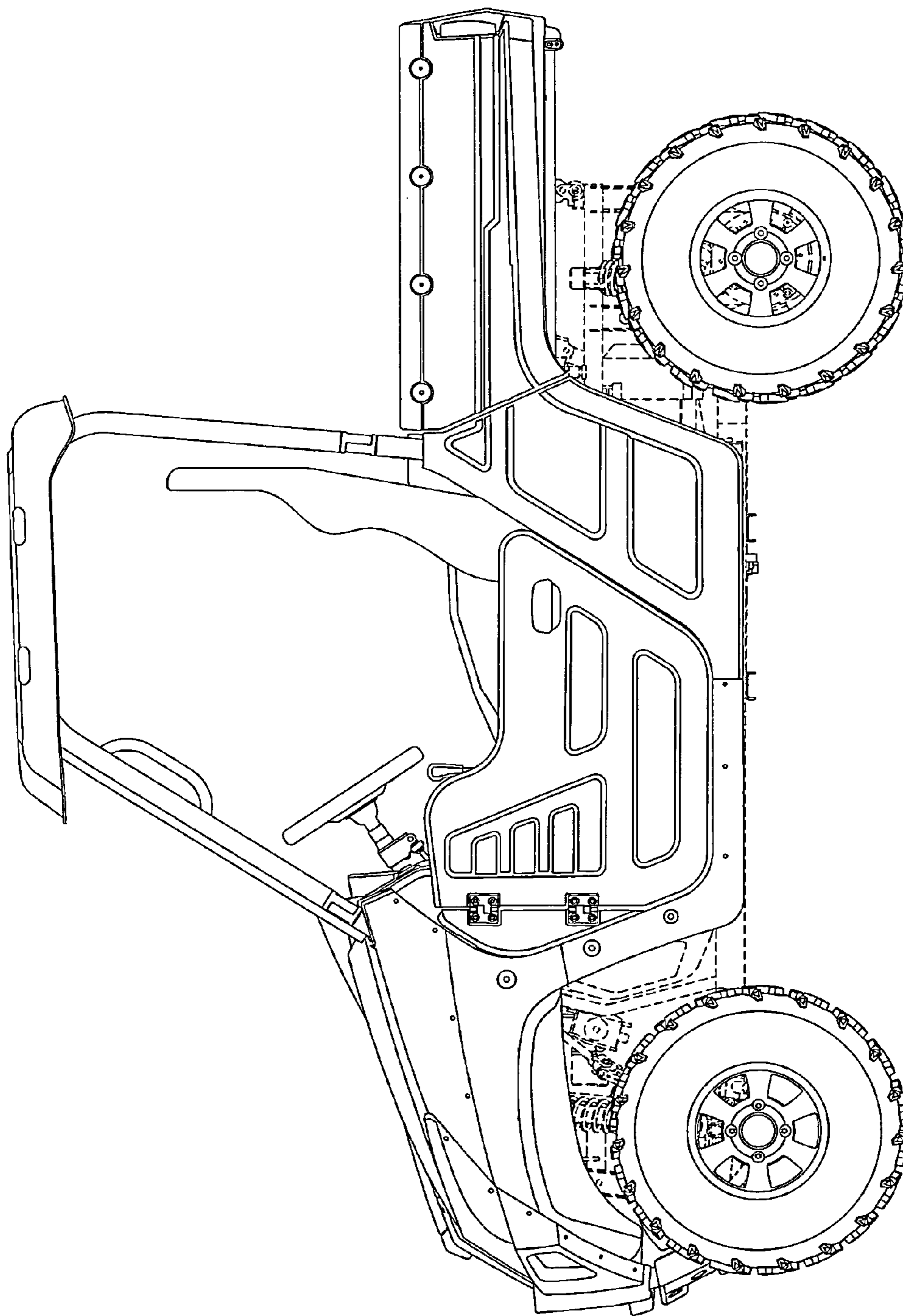


FIG. 4

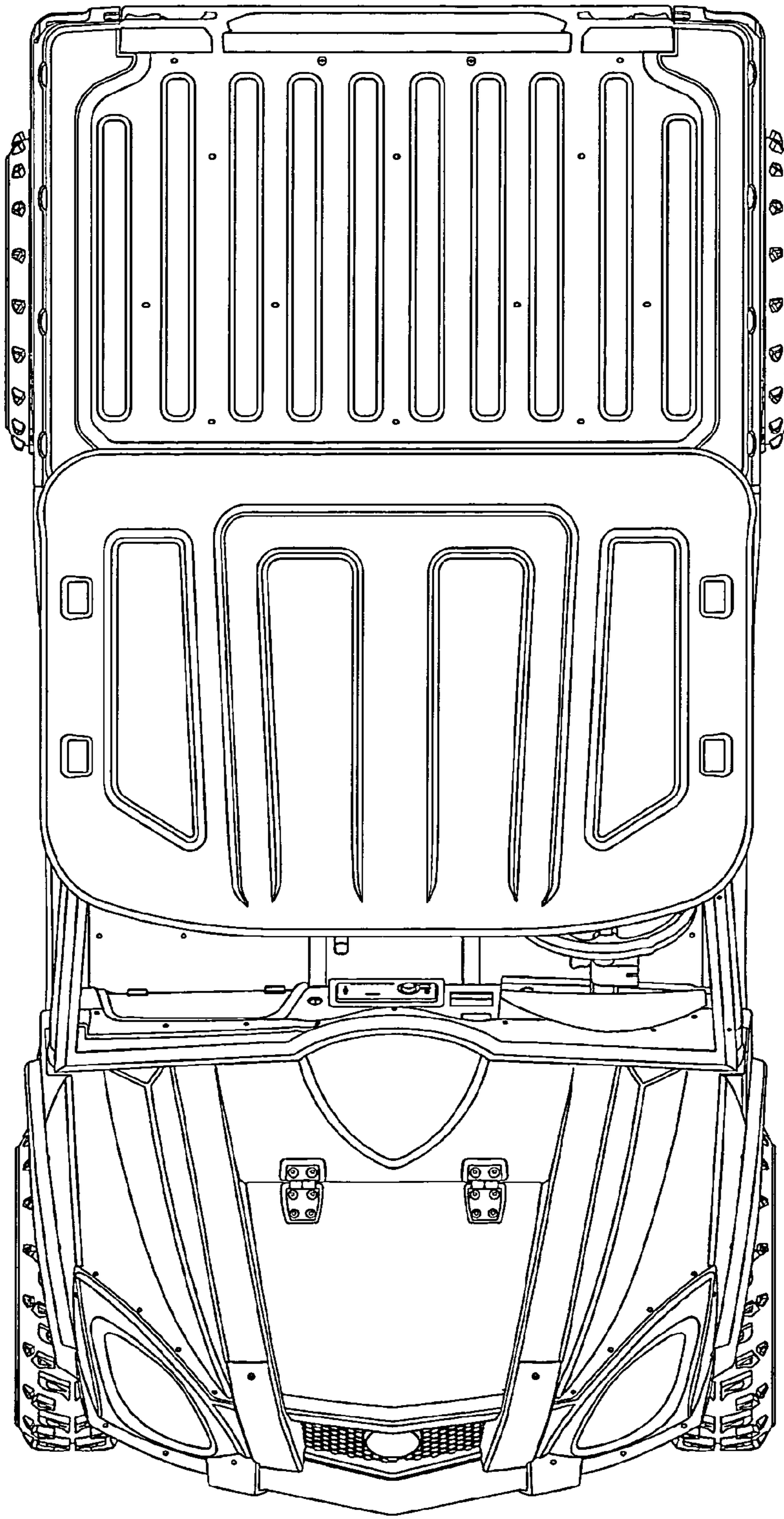


FIG. 5

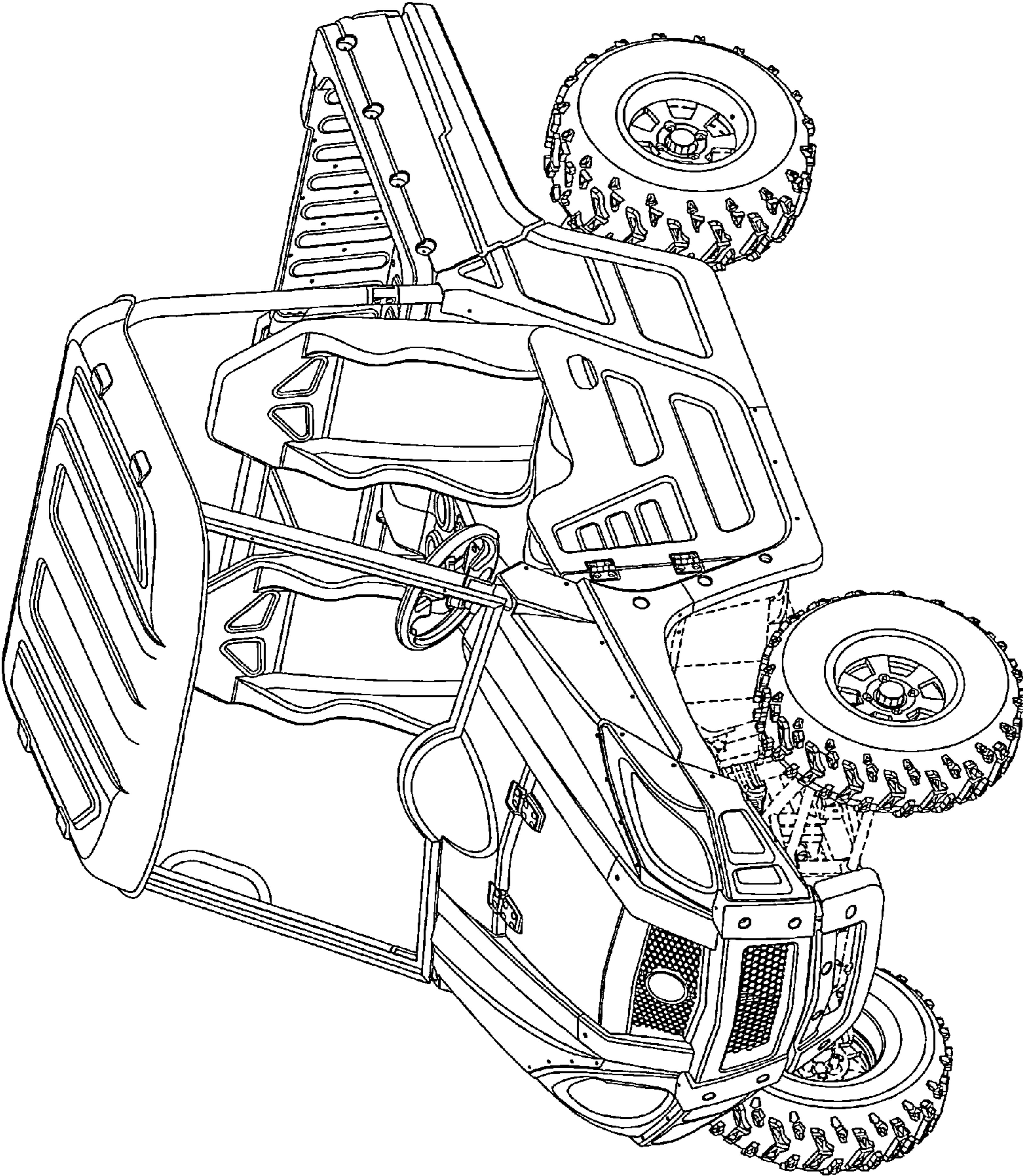


FIG. 6

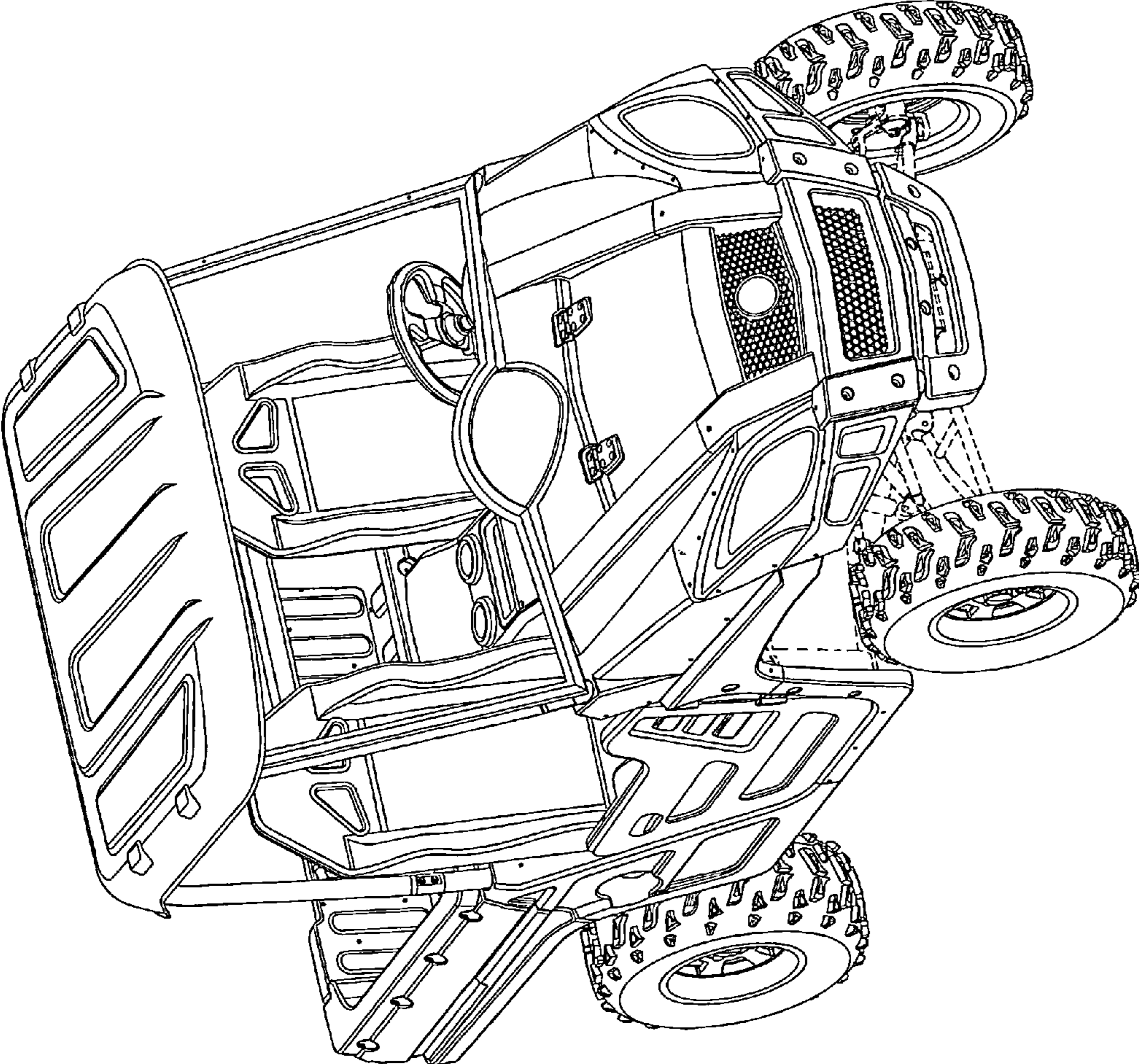


FIG. 7