



US00D699625S

(12) **United States Design Patent**
Grimm et al.

(10) **Patent No.:** **US D699,625 S**

(45) **Date of Patent:** **** *Feb. 18, 2014**

(54) **BUCKLE**

(75) Inventors: **Michael B. Grimm**, Evanston, IL (US);
Martin J. Nilsen, Hampshire, IL (US);
Christopher A. J. Iannello, Rolling
Meadows, IL (US)

(73) Assignee: **Illinois Tool Works Inc.**, Glenview, IL
(US)

(*) Notice: This patent is subject to a terminal dis-
claimer.

(**) Term: **14 Years**

(21) Appl. No.: **29/423,949**

(22) Filed: **Jun. 6, 2012**

(51) **LOC (10) Cl.** **02-07**

(52) **U.S. Cl.**
USPC **D11/218**

(58) **Field of Classification Search**
USPC D11/1, 2, 200–219, 222–237; 24/163 R,
24/169–171, 173, 177–179, 191, 194–195,
24/197, 200, 614–616, 625
See application file for complete search history.

(56) **References Cited**

U.S. PATENT DOCUMENTS

D284,521 S * 7/1986 Forrest D11/218
D350,712 S * 9/1994 D'Ambrosio et al. D11/218

D476,263 S * 6/2003 Walters D11/200
D497,834 S * 11/2004 Kawamura D11/218
D519,411 S * 4/2006 Yoshiguchi D11/218
D593,901 S * 6/2009 Gurule D11/200
D616,331 S * 5/2010 Anscher D11/216
D681,505 S * 5/2013 Grimm et al. D11/216

OTHER PUBLICATIONS

Other Samples.

* cited by examiner

Primary Examiner — Ralf Seifert

(74) *Attorney, Agent, or Firm* — Mark W. Croll; Paul F.
Donovan

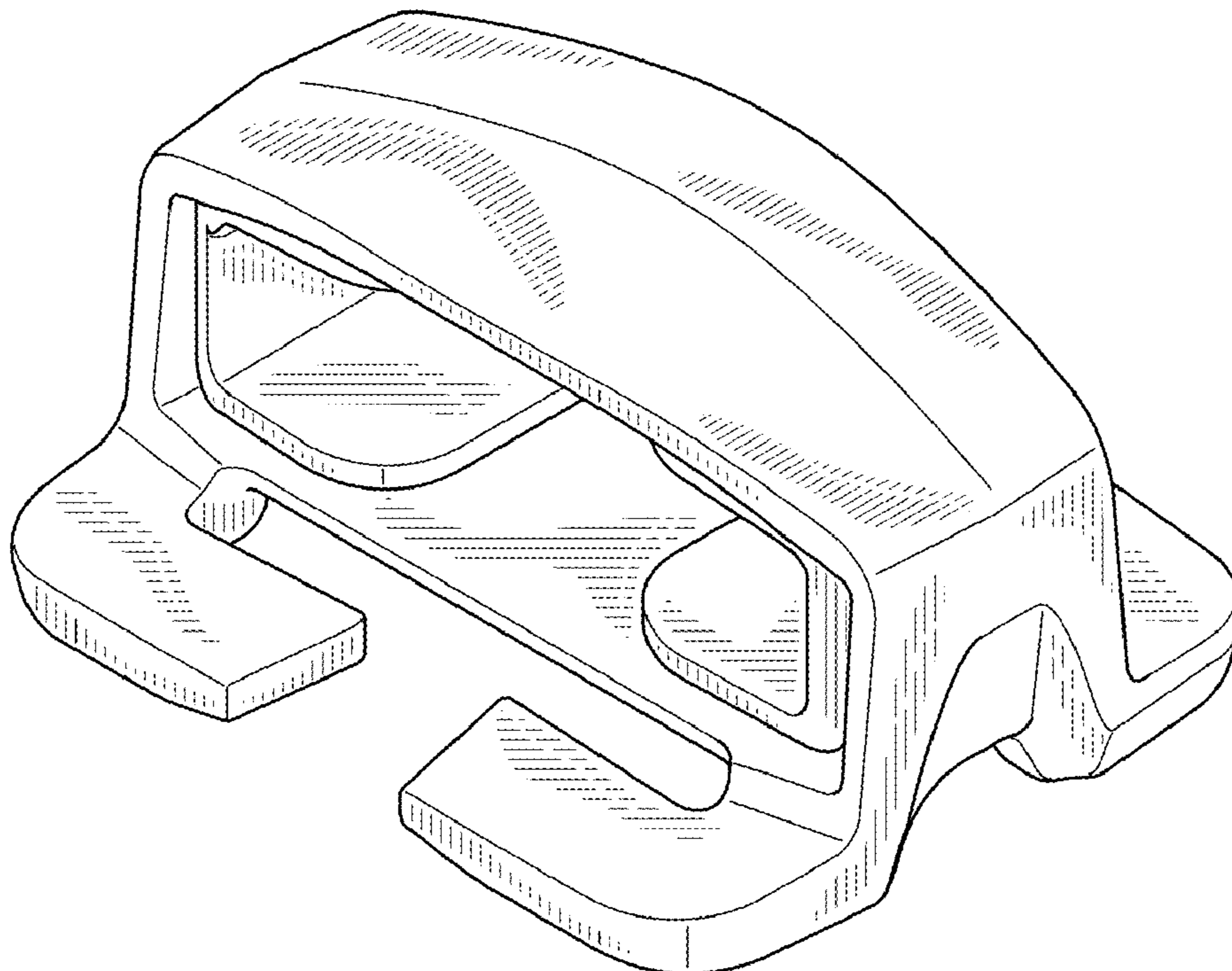
(57) **CLAIM**

The ornamental design for a buckle, as shown and described.

DESCRIPTION

FIG. 1 is a perspective view of a buckle showing the new
design;
FIG. 2 is a top view thereof;
FIG. 3 is a bottom view thereof;
FIG. 4 is a right side view thereof;
FIG. 5 is a left side view thereof;
FIG. 6 is a front end view thereof; and,
FIG. 7 is a back end view thereof.

1 Claim, 4 Drawing Sheets



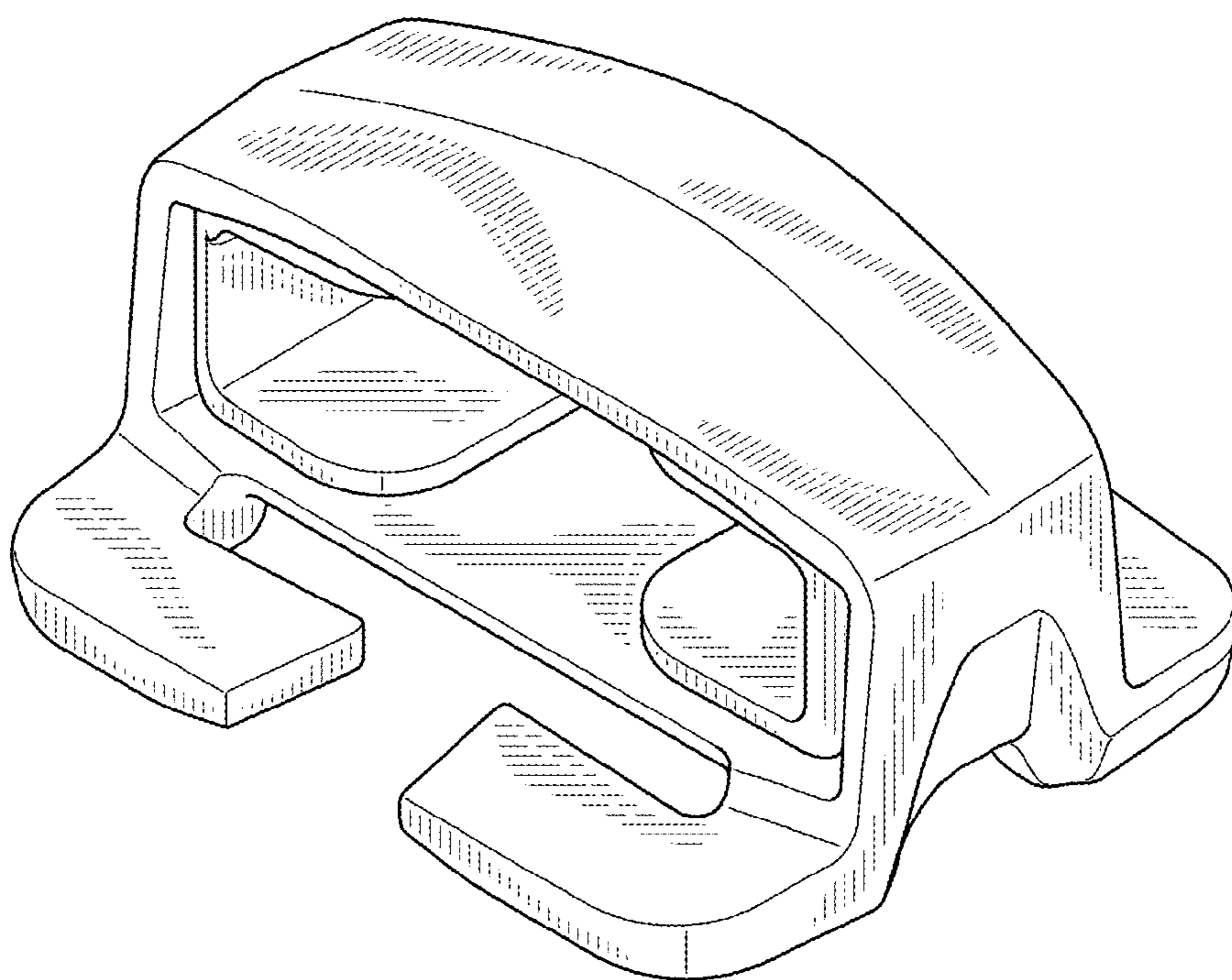


FIG. 1

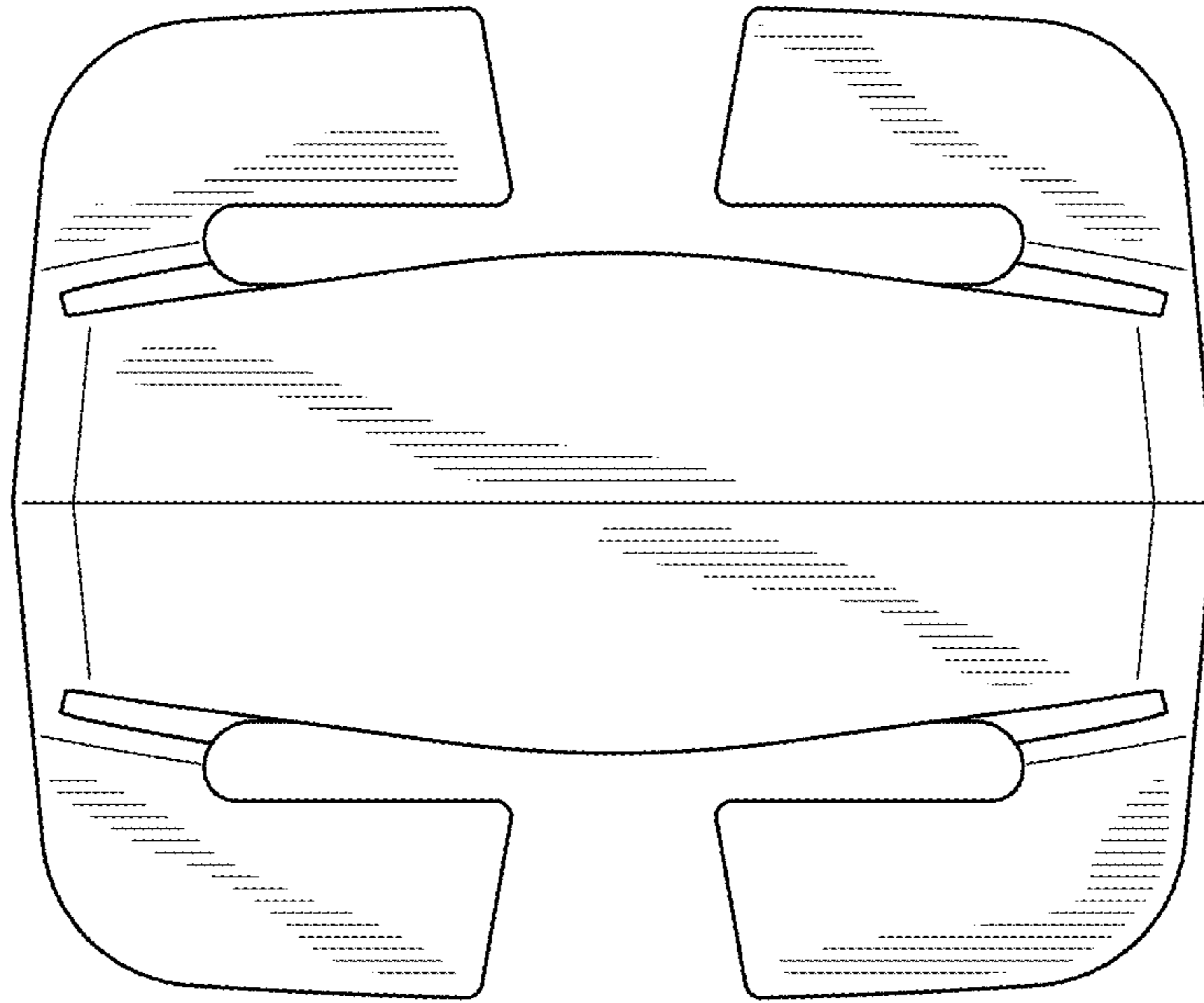


FIG. 2

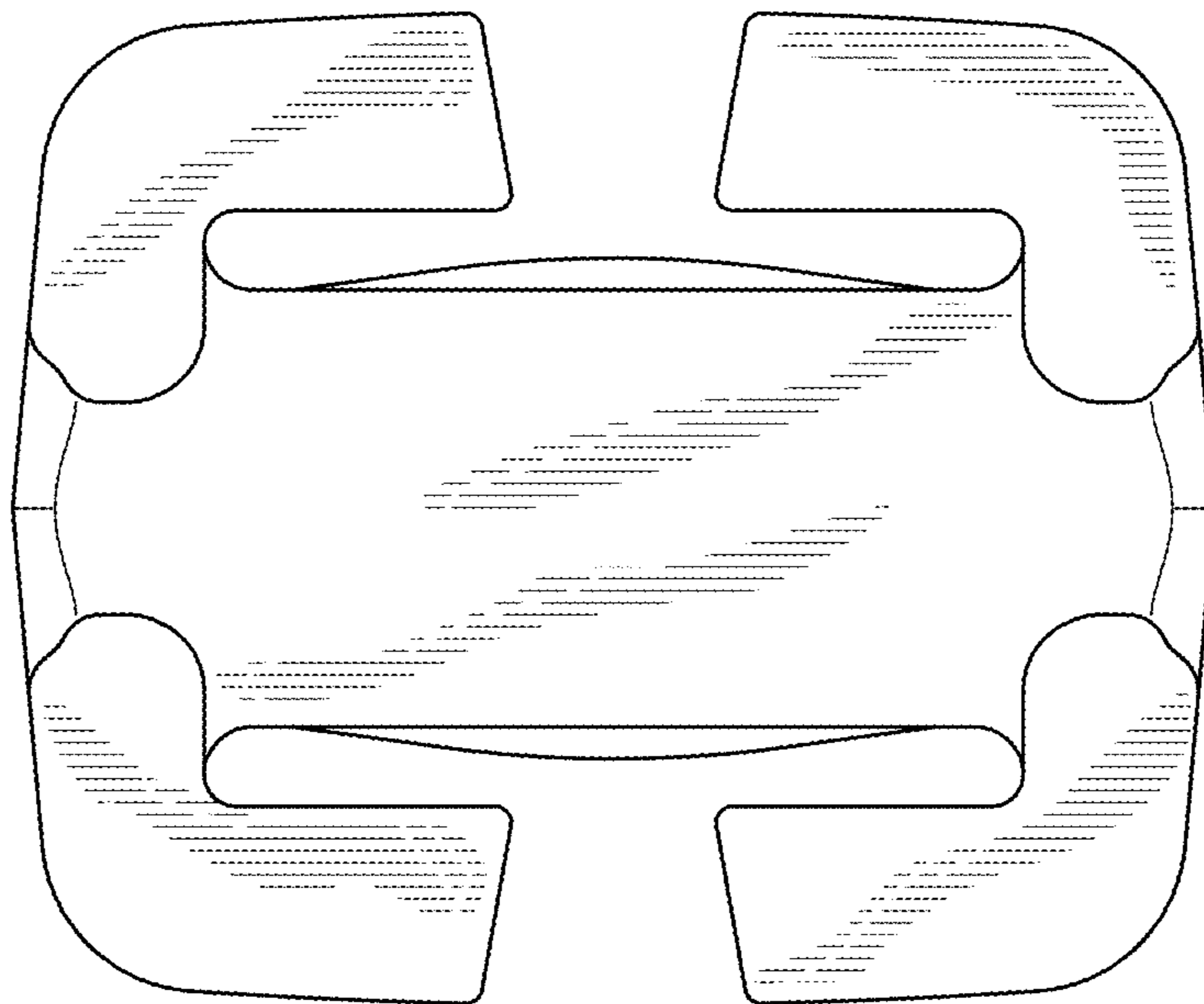


FIG. 3

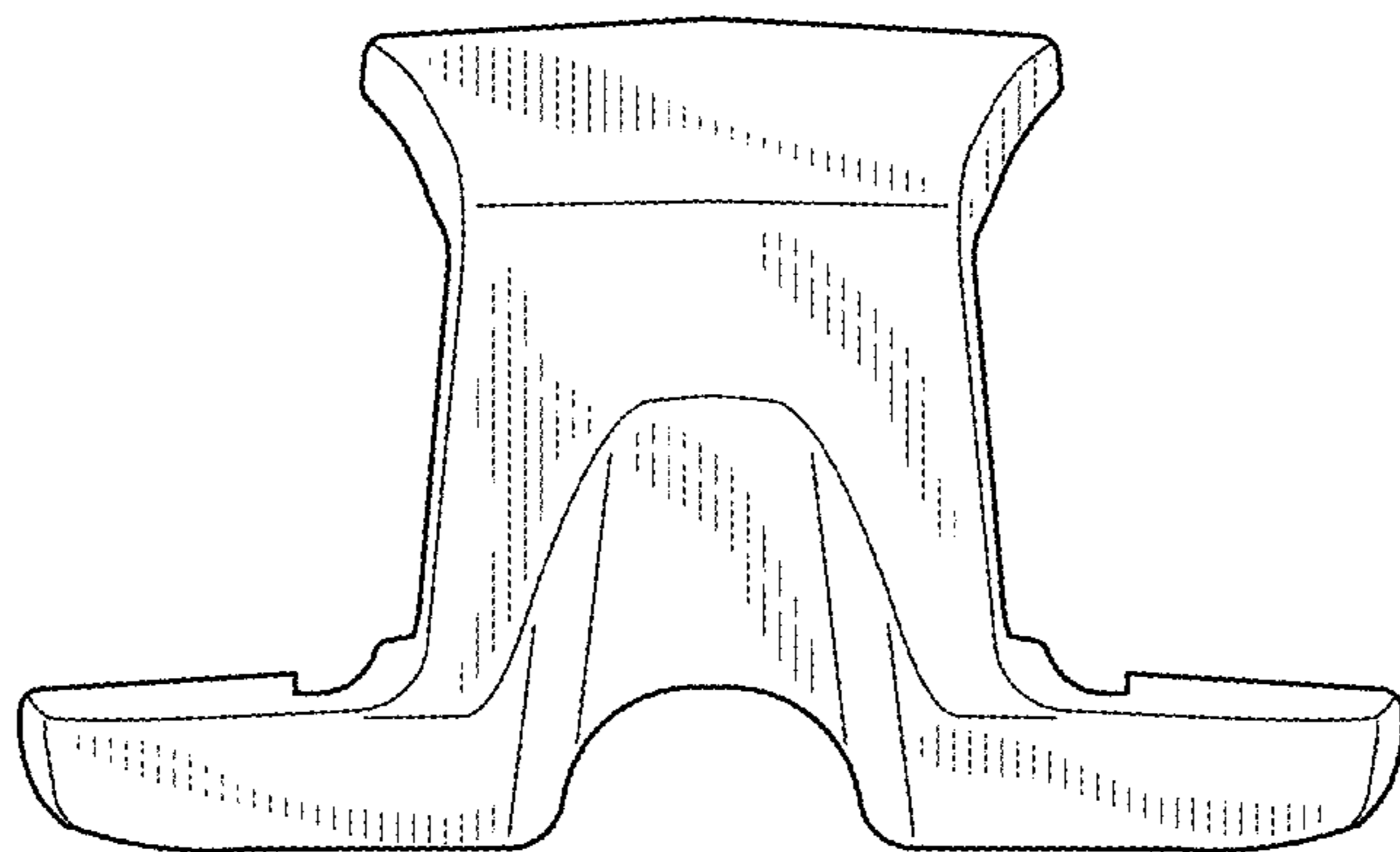


FIG. 4

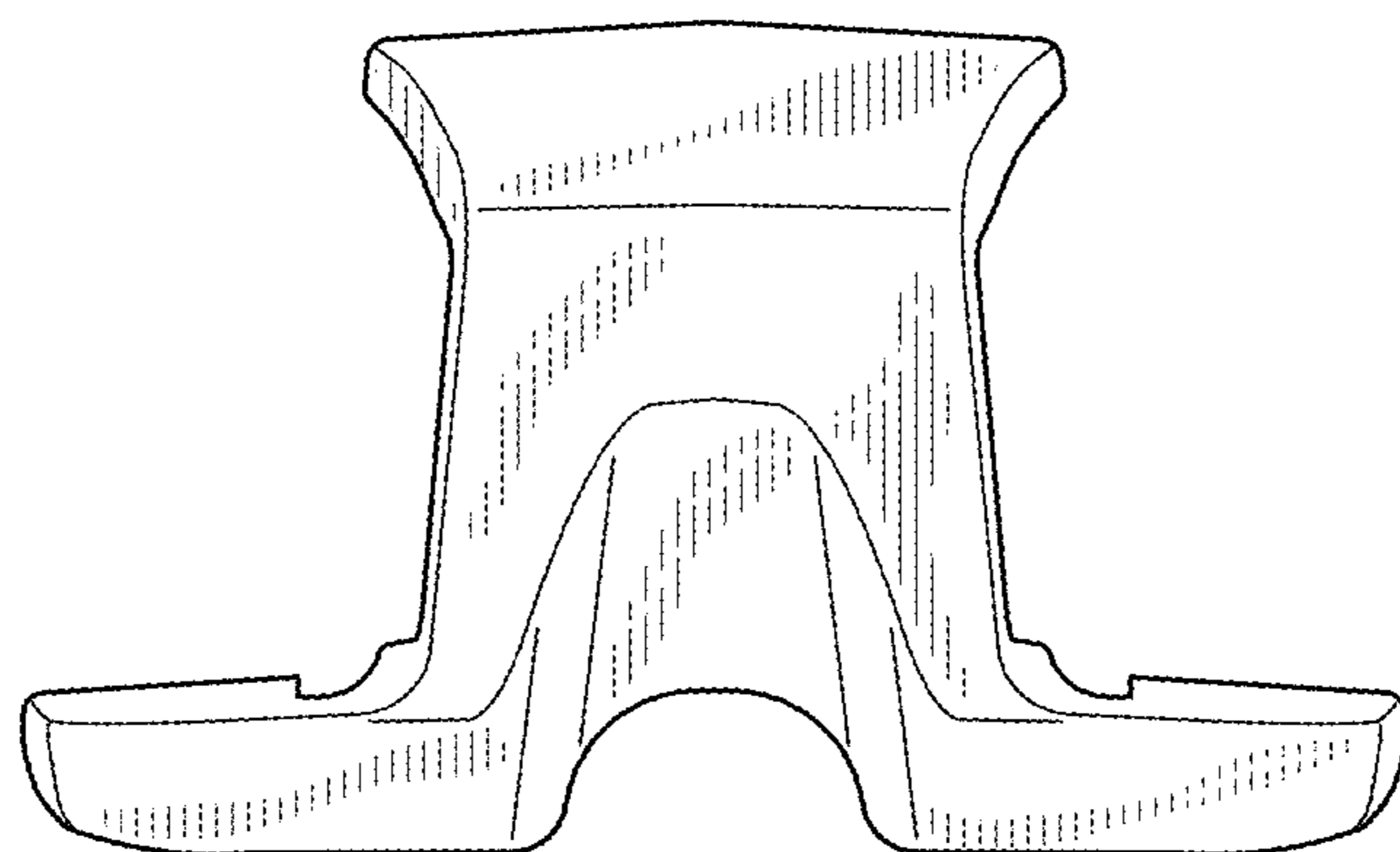


FIG. 5

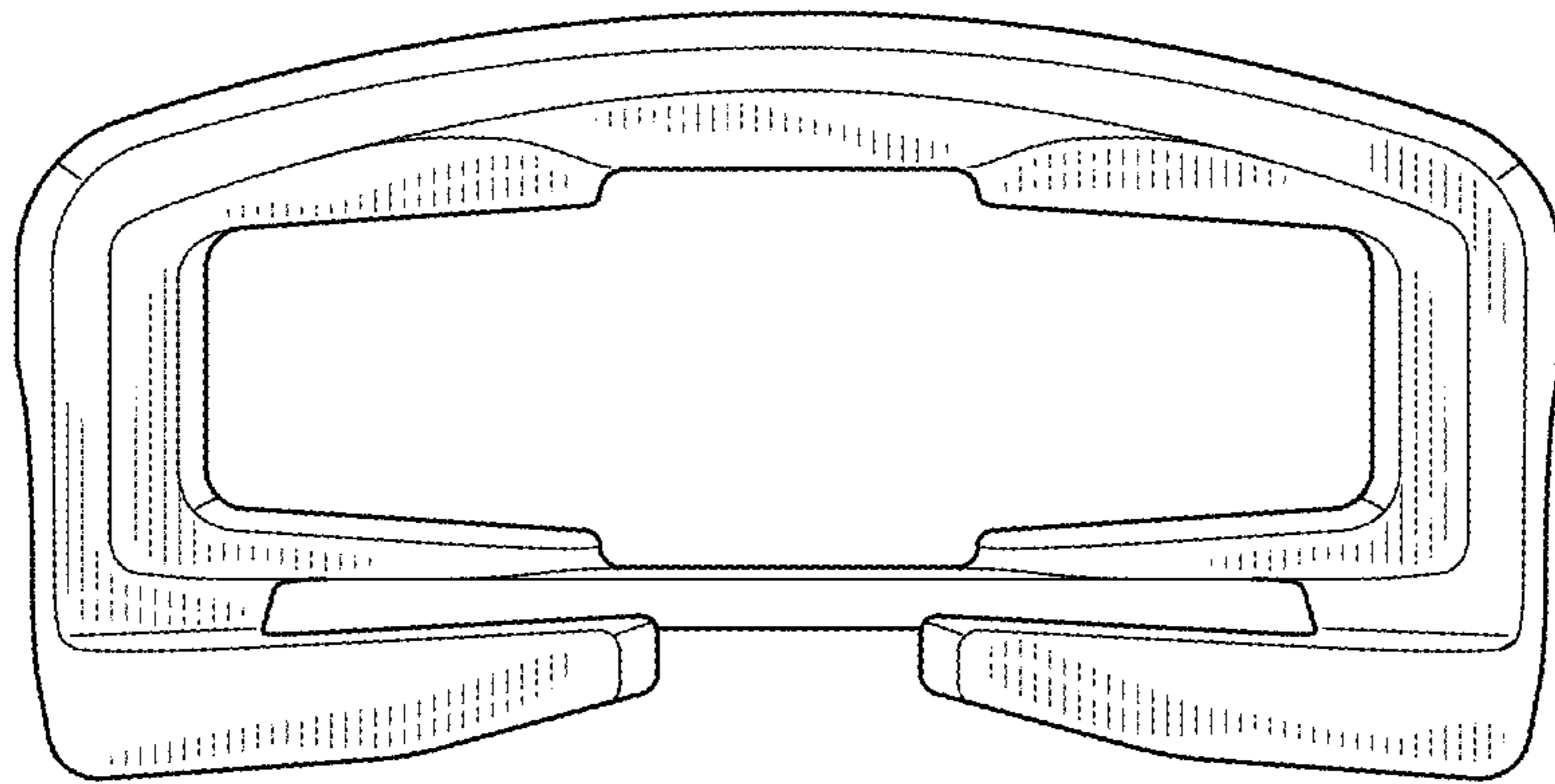


FIG. 6

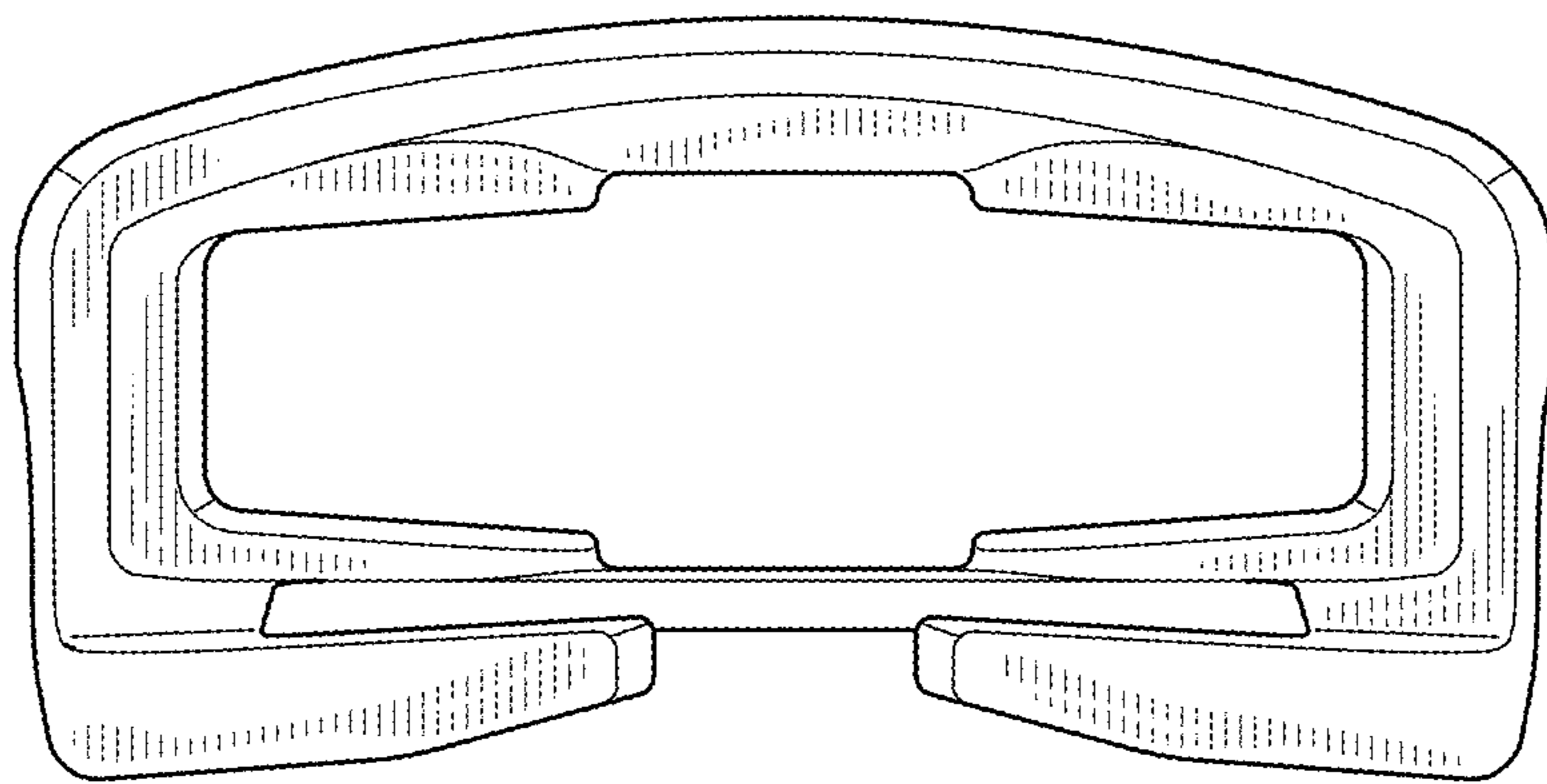


FIG. 7