

US00D699611S

(12) **United States Design Patent**  
 **Holding et al.**

(10) **Patent No.:** **US D699,611 S**

(45) **Date of Patent:** **\*\* Feb. 18, 2014**

(54) **TRISCALE**

(75) Inventors: **Bill Holding**, London (GB); **Ben Cox**,  
London (GB)

(73) Assignee: **Joseph Joseph Ltd.**, London (GB)

(\*\*) Term: **14 Years**

(21) Appl. No.: **29/432,187**

(22) Filed: **Sep. 14, 2012**

(30) **Foreign Application Priority Data**

May 25, 2012 (EM) ..... 002047936-0001

(51) **LOC (10) Cl.** ..... **10-04**

(52) **U.S. Cl.**  
USPC ..... **D10/91**

(58) **Field of Classification Search**  
USPC ..... D10/91-92; 177/25.13-25.18,  
177/177-182, 211-214, 210 R, 210 C,  
177/210 GM, 210 FP, 210 PP, 210 EM, 148,  
177/235-245, DIG. 3; 235/379, 383  
See application file for complete search history.

(56) **References Cited**

U.S. PATENT DOCUMENTS

D415,048 S \* 10/1999 Fabian ..... D10/91

\* cited by examiner

*Primary Examiner* — Antoine D Davis

(74) *Attorney, Agent, or Firm* — Millen, White, Zelano &  
Branigan, P.C.

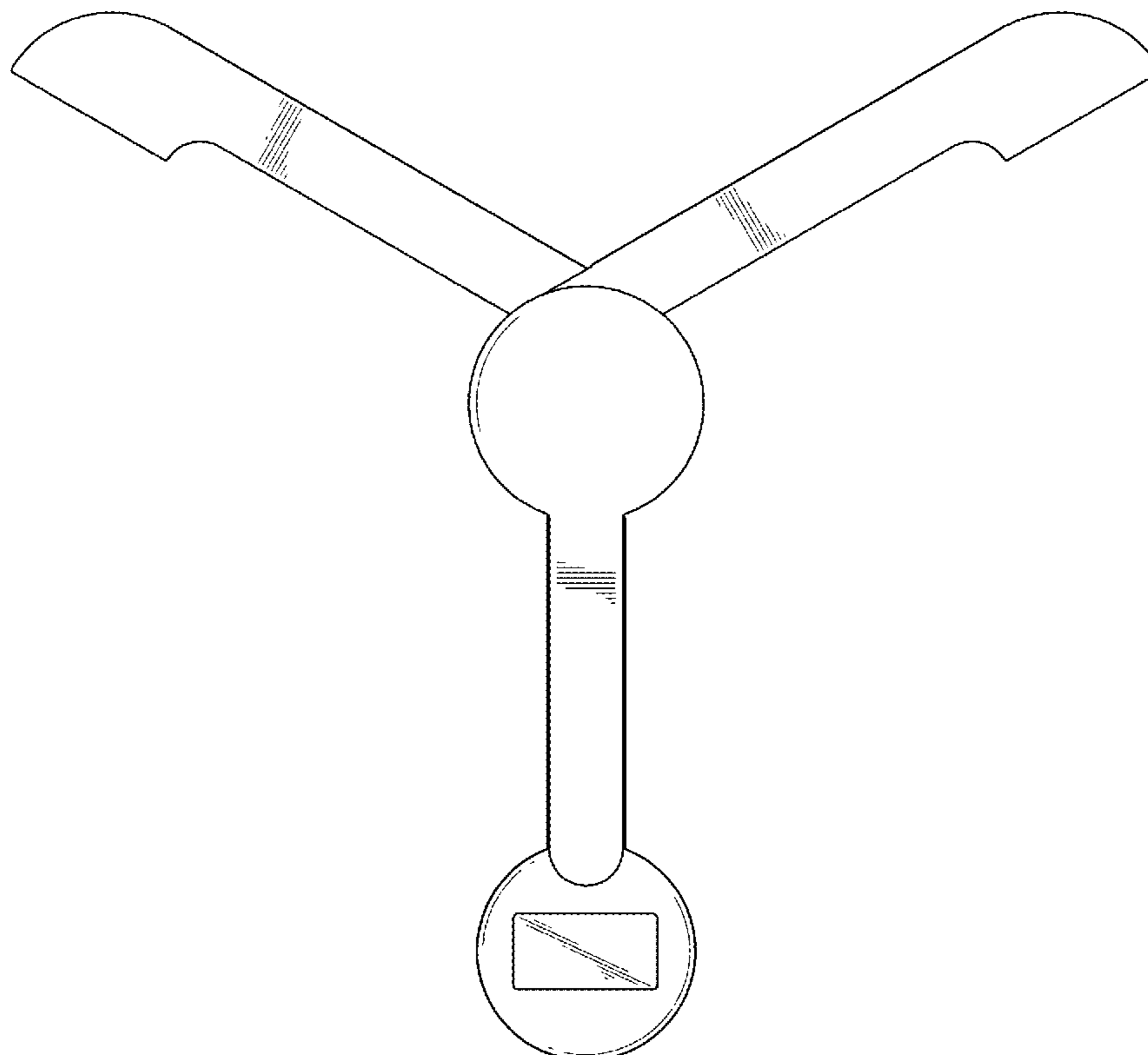
(57) **CLAIM**

The ornamental design for a triscale, as shown and described.

**DESCRIPTION**

FIG. 1 is a top view of the triscale showing my new design.  
FIG. 2 is a side view of the triscale showing my new design.  
FIG. 3 is another side view of the triscale showing my new  
design.  
FIG. 4 is bottom view of the triscale showing my new design.  
FIG. 5 is another side of the triscale showing my new design.  
FIG. 6 is another side view of the triscale showing my new  
design; and,  
FIG. 7 is a perspective view of the triscale showing my new  
design.

**1 Claim, 5 Drawing Sheets**



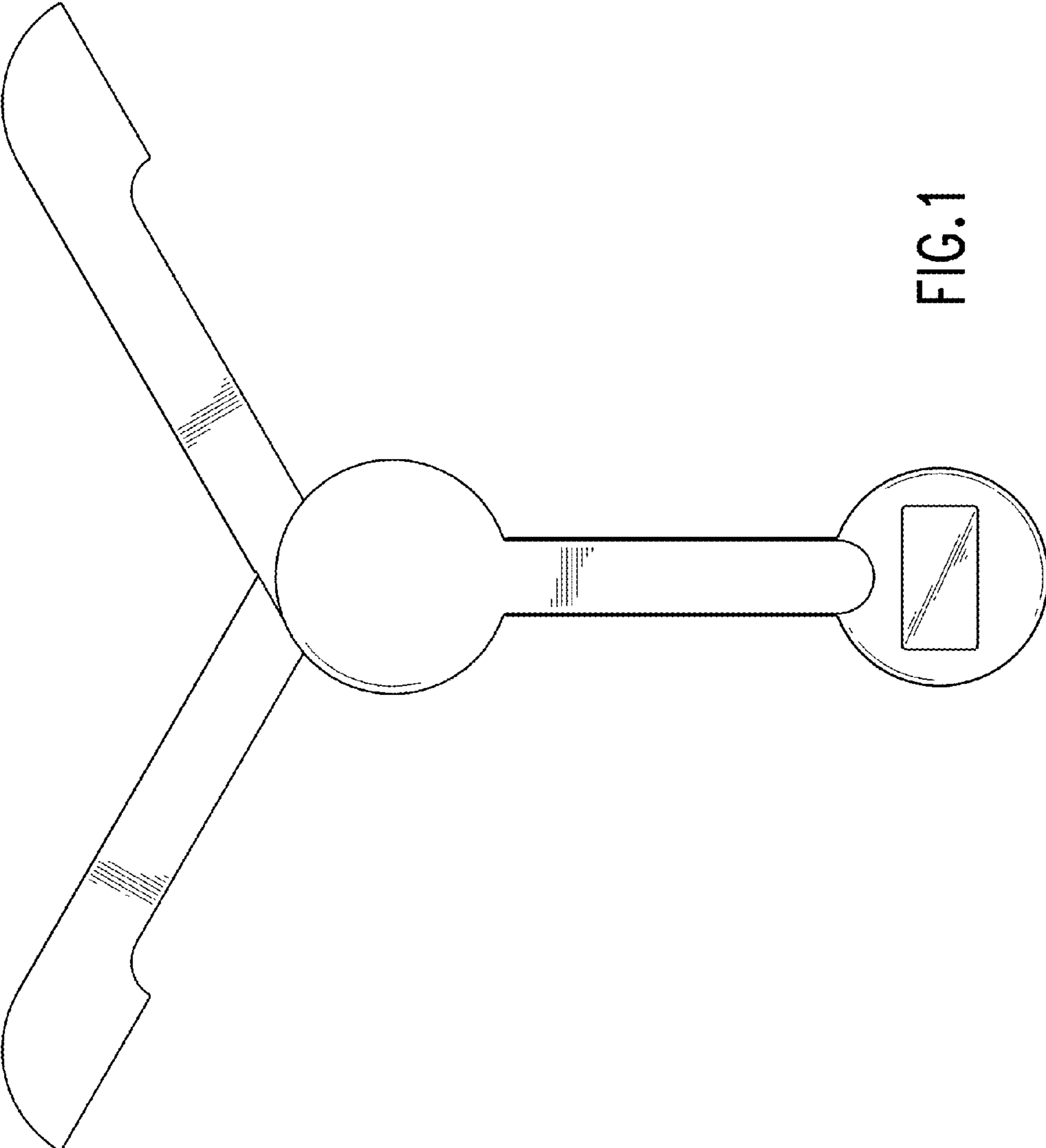


FIG. 1

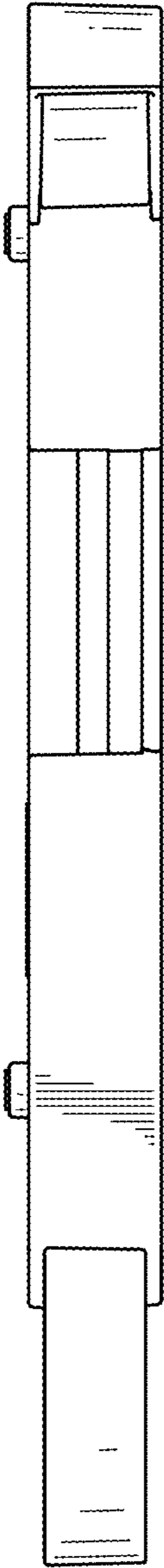


FIG. 2

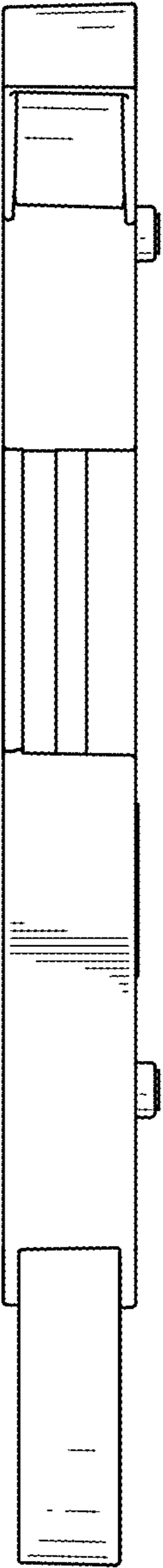


FIG. 3

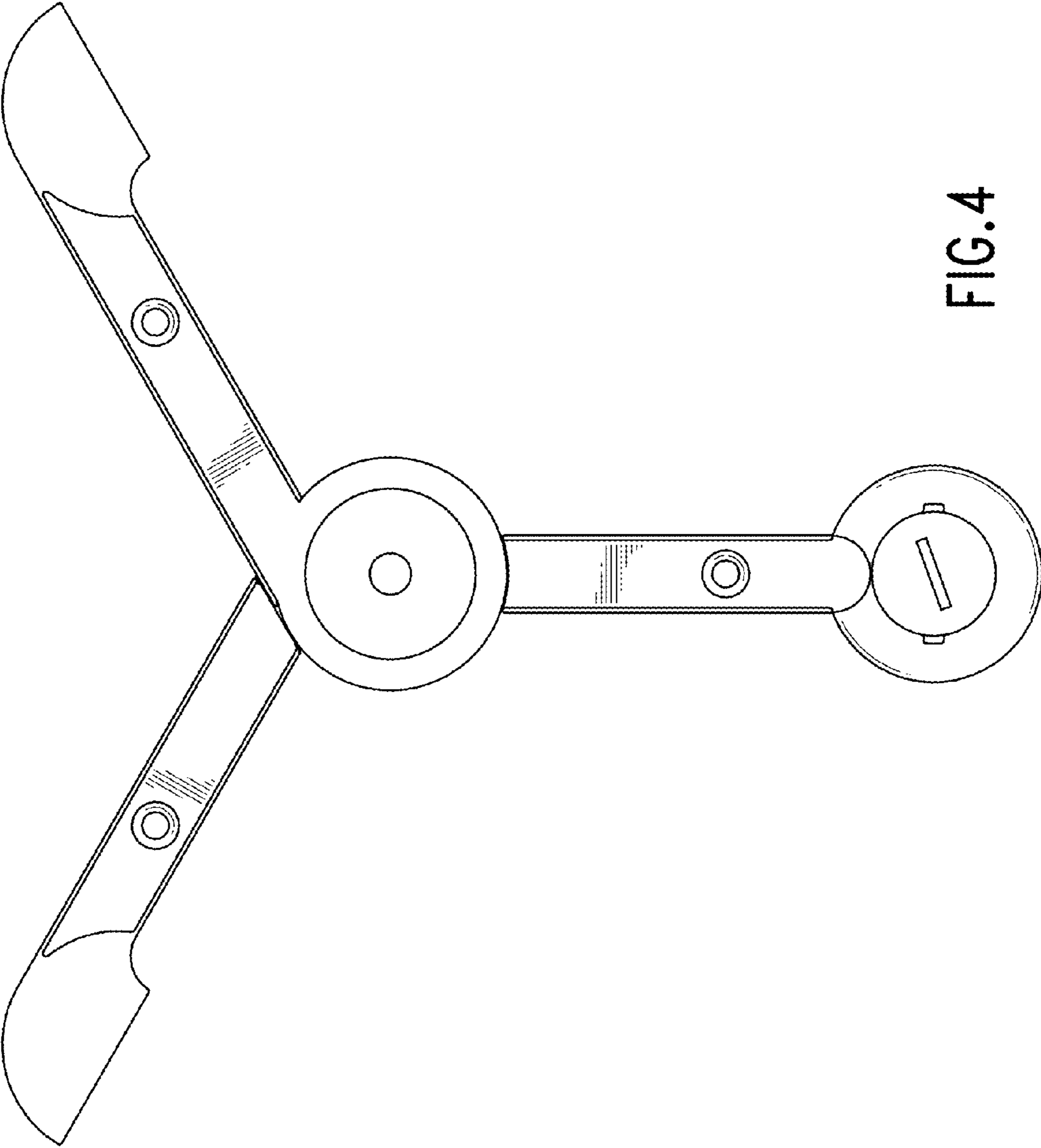


FIG.4

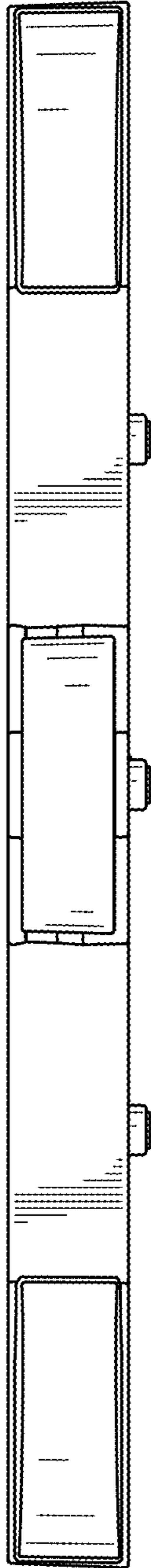


FIG. 5

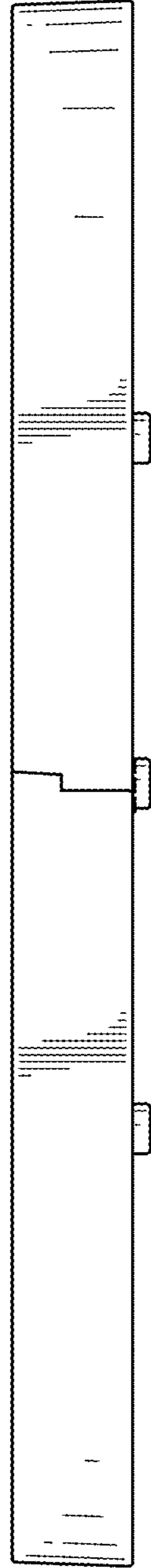


FIG. 6

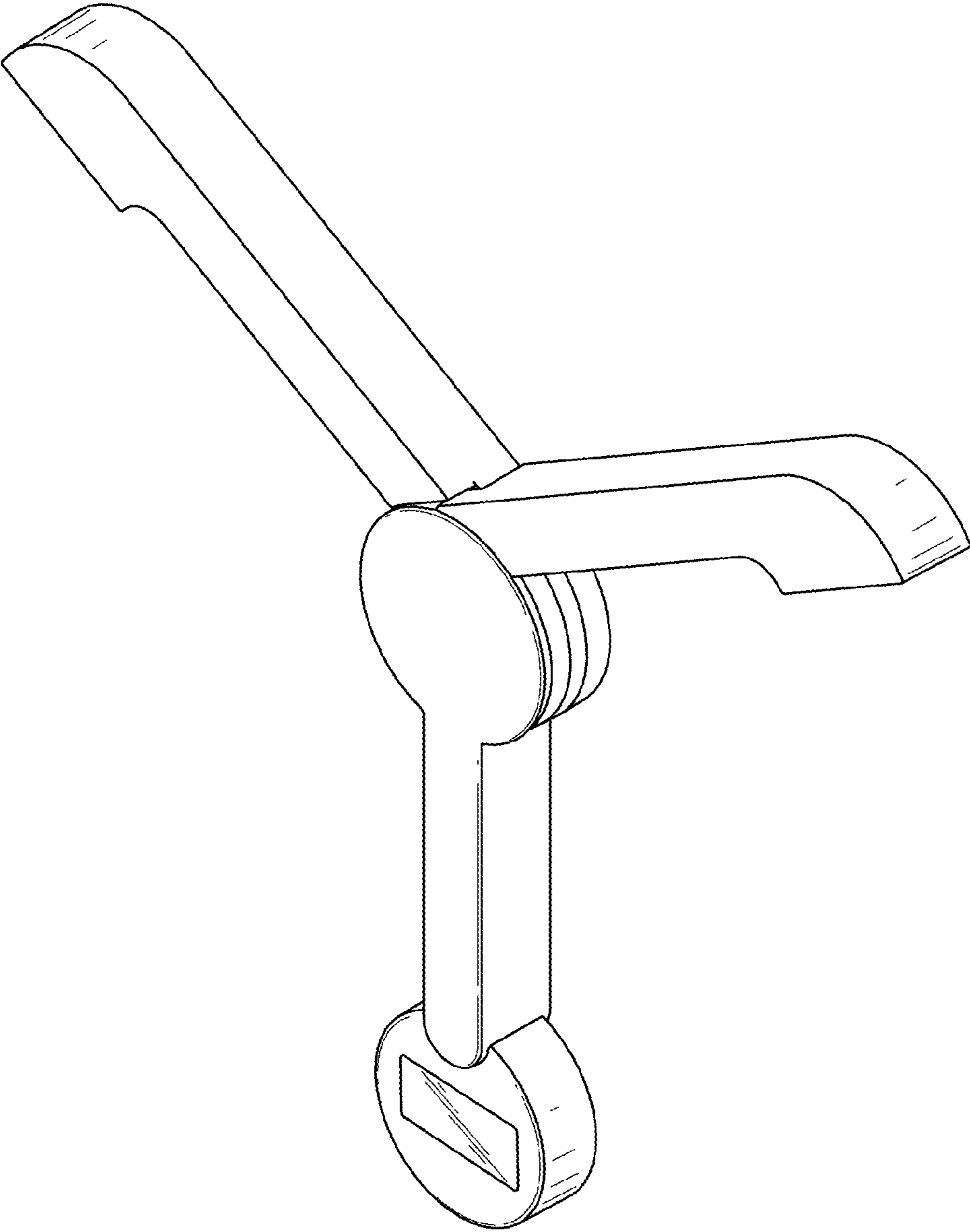


FIG.7