

US00D699608S

(12) **United States Design Patent**
Nemer et al.

(10) **Patent No.:** **US D699,608 S**

(45) **Date of Patent:** **** Feb. 18, 2014**

(54) **OXYGEN SENSING PROBE**

(71) Applicant: **Rosemount Analytical Inc.**, Solon, OH (US)

(72) Inventors: **Joseph C. Nemer**, Mayfield Heights, OH (US); **Mark W. Schneider**, Orange Village, OH (US)

(73) Assignee: **Rosemount Analytical Inc.**, Solon, OH (US)

(**) Term: **14 Years**

(21) Appl. No.: **29/441,736**

(22) Filed: **Jan. 9, 2013**

(51) **LOC (10) Cl.** **10-04**

(52) **U.S. Cl.**
USPC **D10/81**

(58) **Field of Classification Search**
USPC D10/56, 81; 73/1.02; 204/400, 421, 204/427, 428; 324/439, 450
See application file for complete search history.

(56) **References Cited**

U.S. PATENT DOCUMENTS

4,096,050	A *	6/1978	Kobayashi et al.	204/428
4,405,429	A *	9/1983	Nishio	204/421
4,883,566	A *	11/1989	Muccitelli et al.	324/450
4,944,861	A *	7/1990	Reber	204/428
5,049,255	A *	9/1991	Wolfe et al.	204/428

5,144,249	A *	9/1992	Kurishita et al.	324/439
D546,720	S *	7/2007	Goh	D10/81
D611,376	S *	3/2010	Holz	D10/96
D648,231	S *	11/2011	Draper et al.	D10/46

OTHER PUBLICATIONS

“In Situ Oxygen Transmitter,” Emerson Process Management Product Data Sheet PDS 106-340.A01, Jan. 2005, pp. 1-18.

* cited by examiner

Primary Examiner — Antoine D Davis

(74) *Attorney, Agent, or Firm* — Christopher R. Christenson; Kelly, Holt & Christenson PLLC

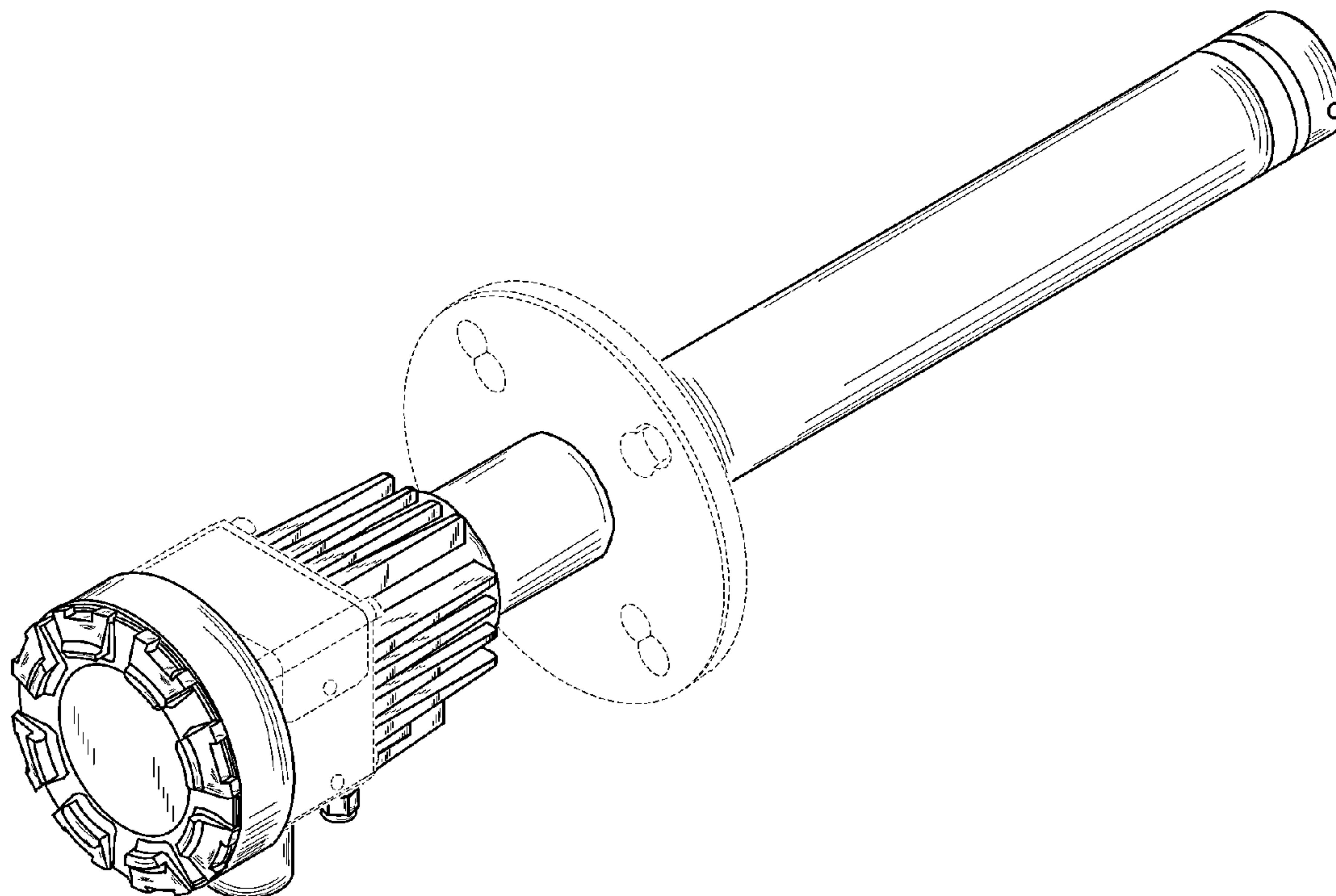
(57) **CLAIM**

The ornamental design for an oxygen sensing probe, as shown and described.

DESCRIPTION

FIG. 1 is a perspective view of the oxygen sensing probe. FIG. 2 is a top plan view of the oxygen sensing probe. FIG. 3 is a bottom view of the oxygen sensing probe. FIG. 4 is a right side view of the oxygen sensing probe. FIG. 5 is a left side view of the oxygen sensing probe. FIG. 6 is a rear elevational view of the oxygen sensing probe; and, FIG. 7 is a front elevational view of the oxygen sensing probe. The broken lines of FIGS. 1-7 are included for the purpose of illustrating environmental structure and form no part of the claimed design.

1 Claim, 7 Drawing Sheets



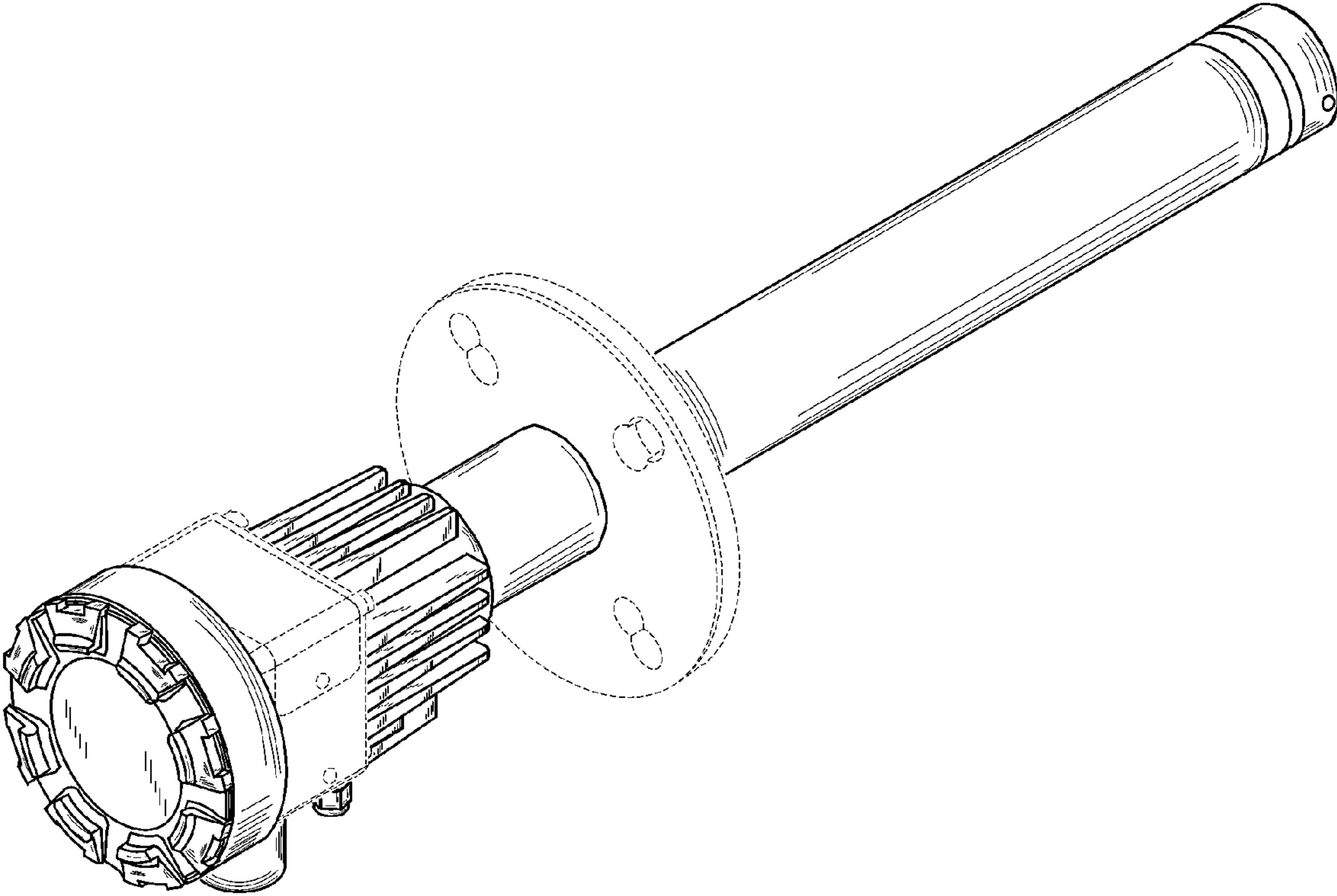


FIG. 1

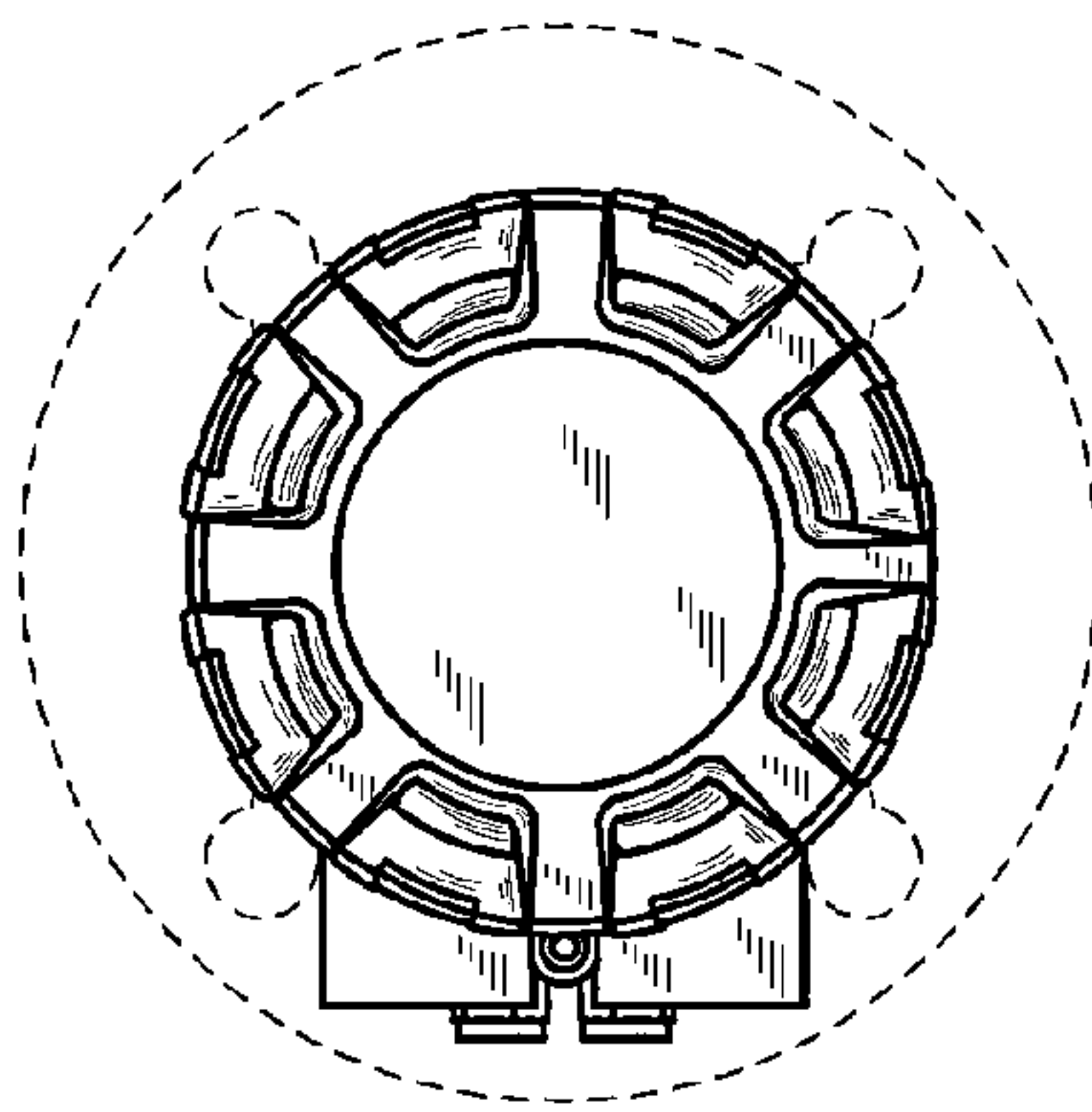


FIG. 2

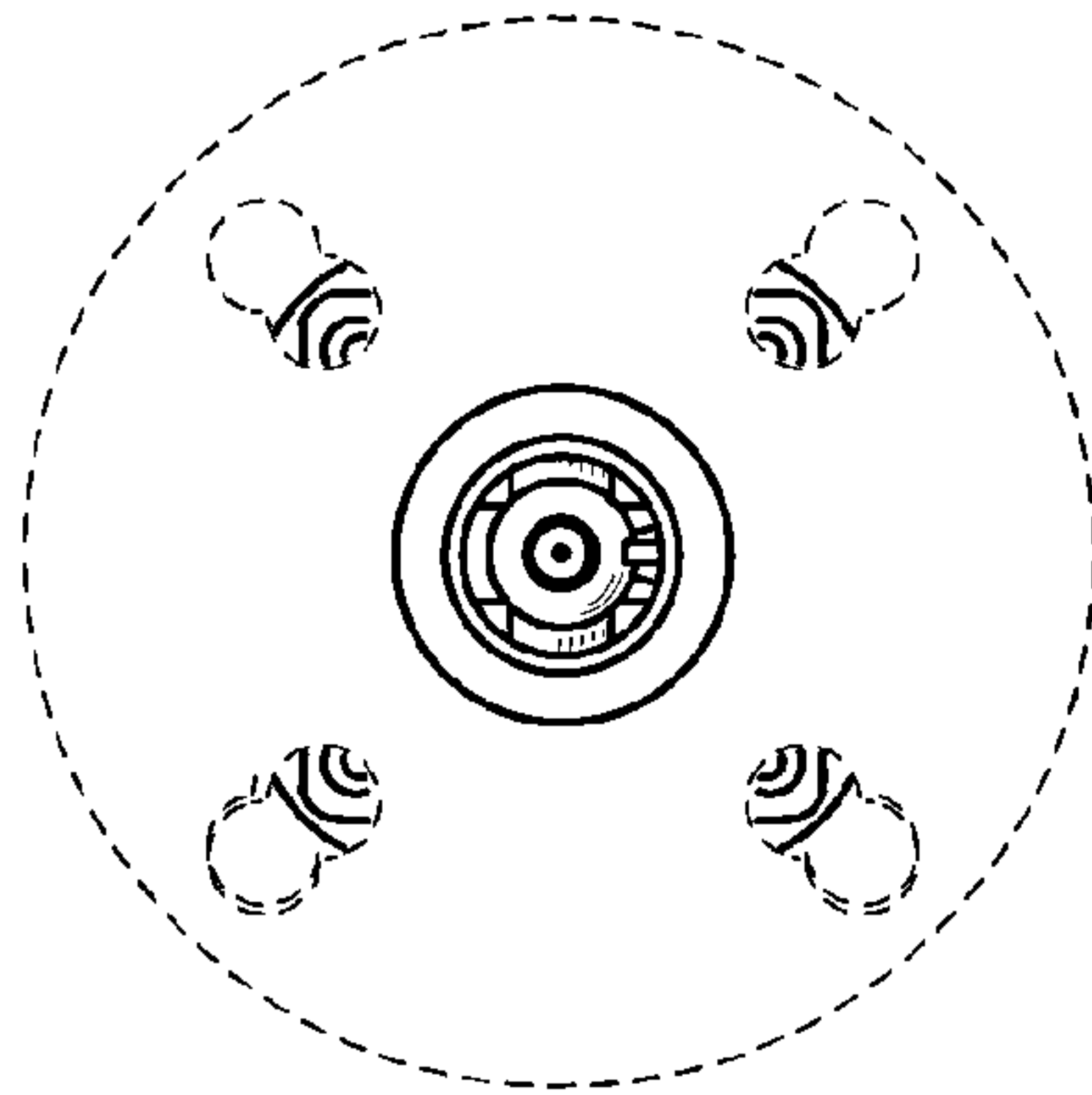


FIG. 3

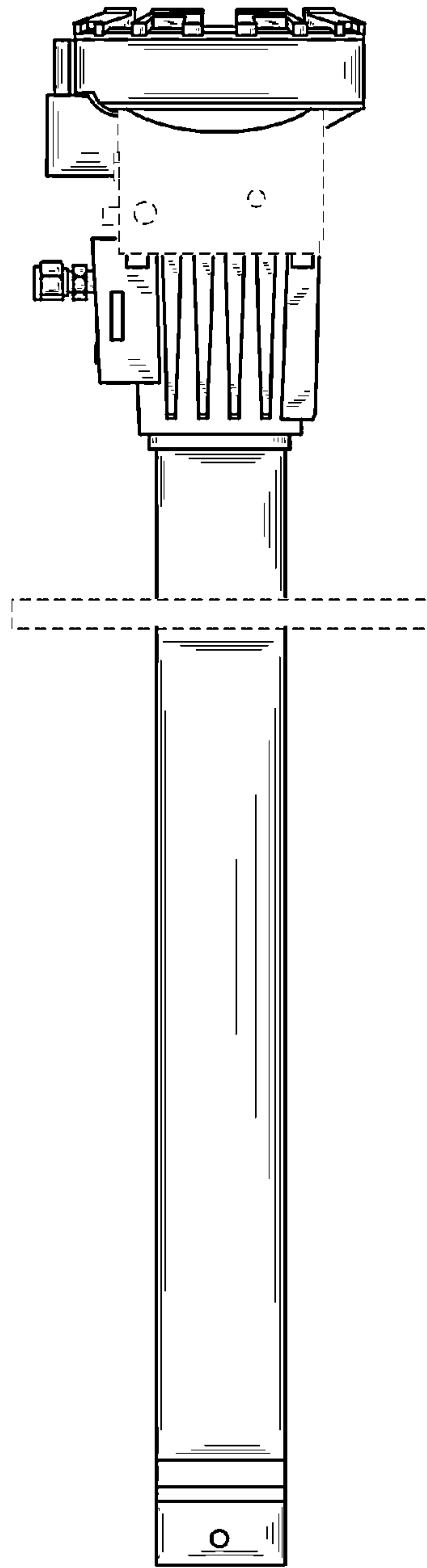


FIG. 4

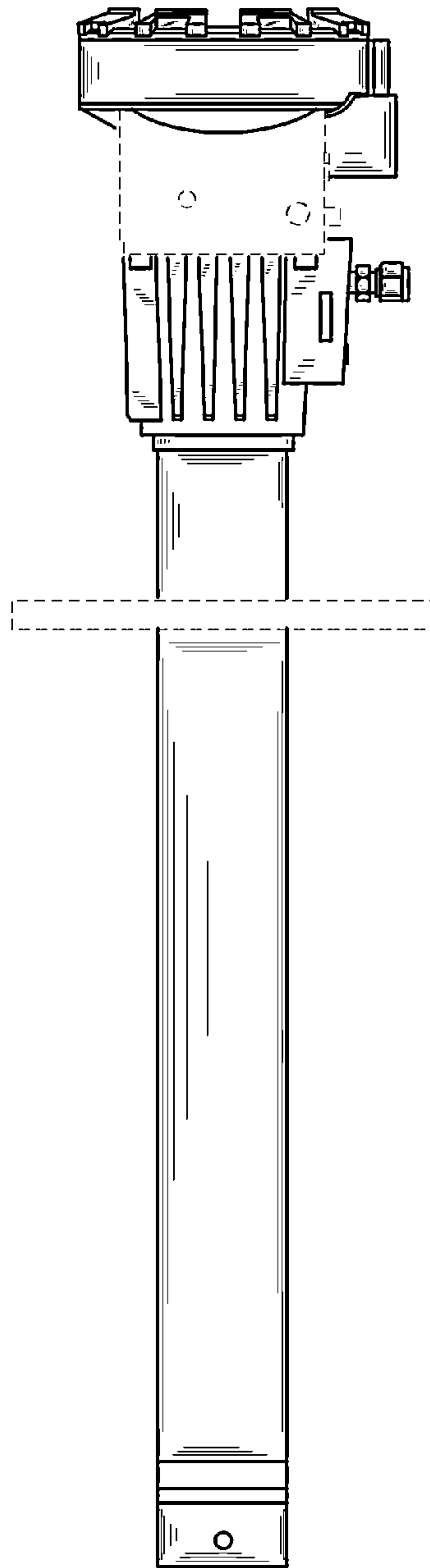


FIG. 5

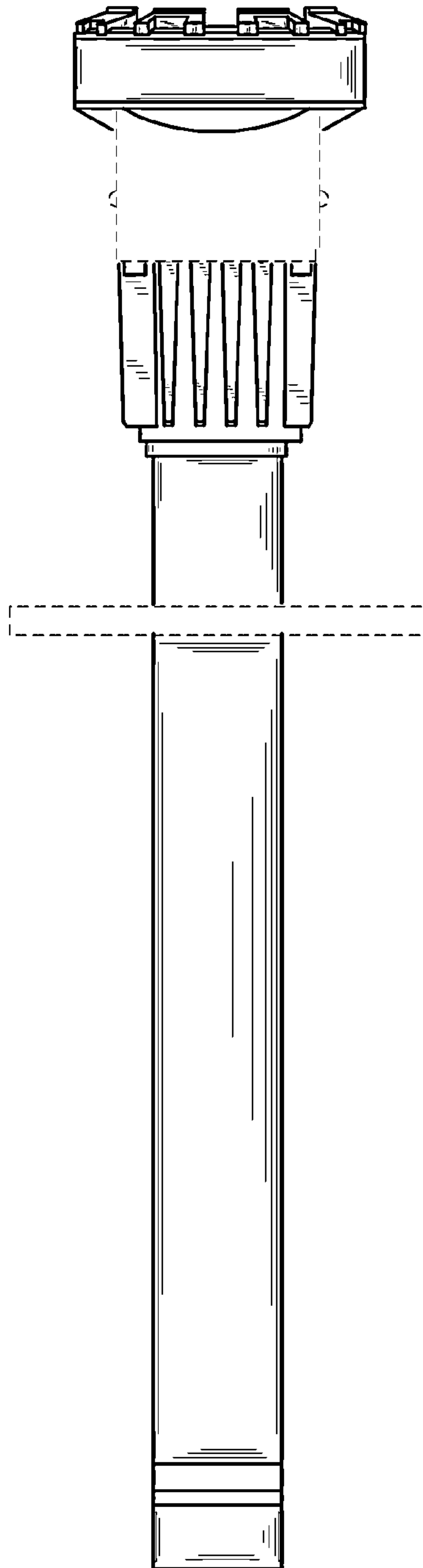


FIG. 6

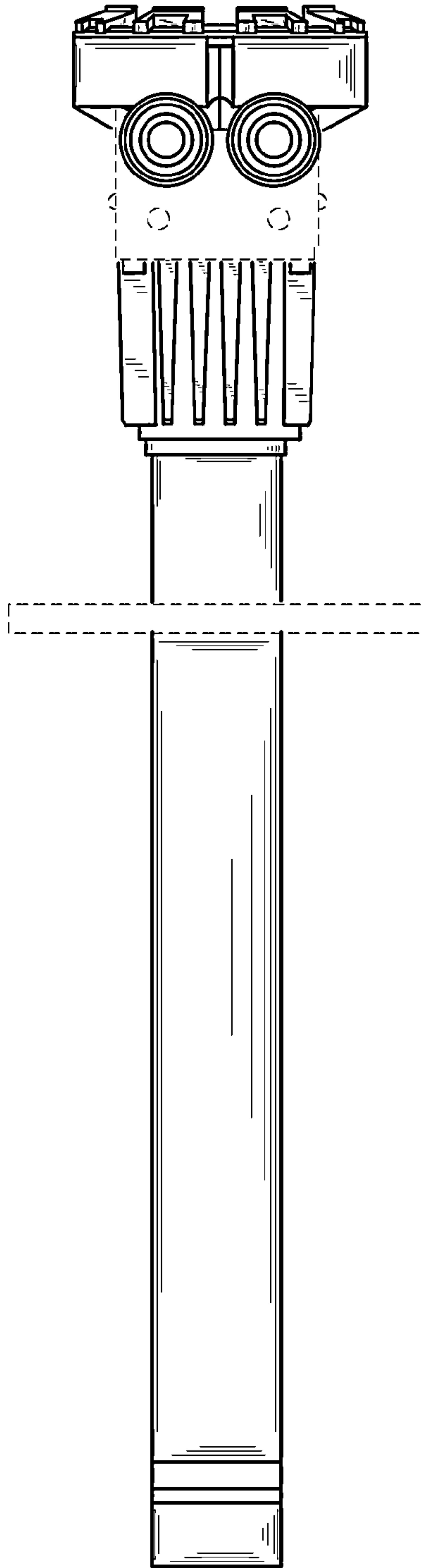


FIG. 7