



US00D699605S

(12) **United States Design Patent**
Biselx et al.

(10) **Patent No.:** **US D699,605 S**

(45) **Date of Patent:** **** Feb. 18, 2014**

(54) **SLIDE CALIPER**

(71) Applicant: **TESA SA, Renens (CH)**

(72) Inventors: **Frederic Biselx, Yens (CH); Herve Destraz, Savigny (CH)**

(73) Assignee: **TESA SA, Renens (CH)**

(**) Term: **14 Years**

(21) Appl. No.: **29/433,997**

(22) Filed: **Oct. 8, 2012**

(30) **Foreign Application Priority Data**

Apr. 10, 2012 (WO) DM/078 124

(51) **LOC (10) Cl.** **10-04**

(52) **U.S. Cl.**
USPC **D10/73**

(58) **Field of Classification Search**
USPC D10/73; 33/783-832, DIG. 12
See application file for complete search history.

(56) **References Cited**

U.S. PATENT DOCUMENTS

D280,301	S *	8/1985	Nishina et al.	D10/73
4,586,260	A *	5/1986	Baxter et al.	33/706
4,963,811	A *	10/1990	Weber	320/101
D334,719	S *	4/1993	Yeo	D10/73
6,279,248	B1 *	8/2001	Walters	33/784

7,045,088	B2 *	5/2006	Matsumiya et al.	33/674
D556,064	S *	11/2007	Yang et al.	D10/73
D574,278	S *	8/2008	Zhang	D10/73
7,533,474	B2 *	5/2009	Saito et al.	33/811
7,765,712	B2 *	8/2010	Stockman	33/784
D662,842	S *	7/2012	Zhang	D10/73
8,256,128	B2 *	9/2012	Kozykowski	33/534
8,296,965	B2 *	10/2012	Stockman	33/784

* cited by examiner

Primary Examiner — Antoine D Davis

(74) *Attorney, Agent, or Firm* — Maschoff Brennan

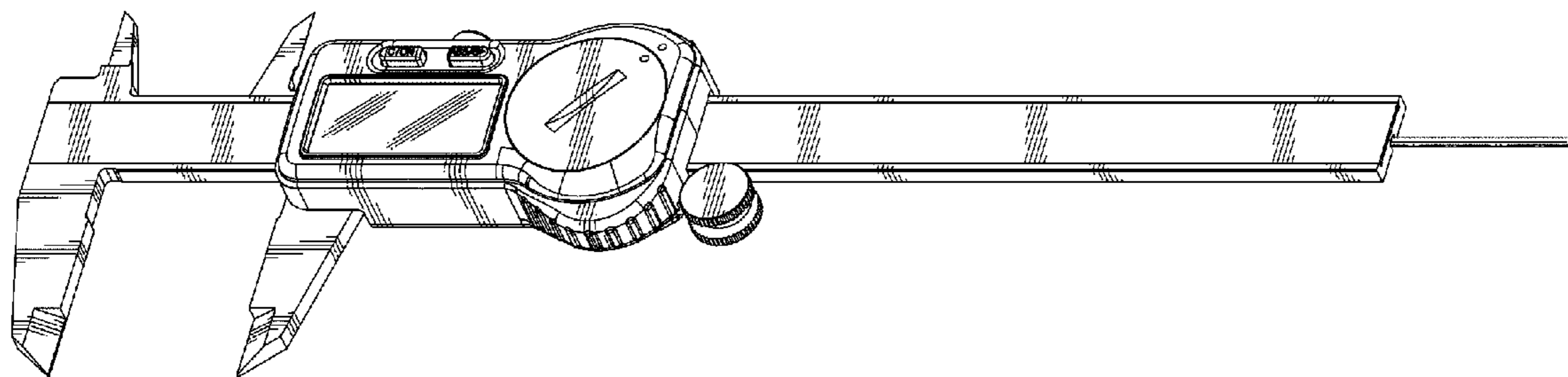
(57) **CLAIM**

The ornamental design for a slide caliper, as shown and described.

DESCRIPTION

FIG. 1 is a perspective view of a slide caliper showing our new design;
 FIG. 2 is a first side view of the slide caliper shown in FIG. 1;
 FIG. 3 is a second side view of the slide caliper shown in FIG. 1;
 FIG. 4 is a back view of the slide caliper shown in FIG. 1;
 FIG. 5 is a front view of the slide caliper shown in FIG. 1;
 FIG. 6 is a bottom view of the slide caliper shown in FIG. 1;
 and,
 FIG. 7 is a top view of the slide caliper shown in FIG. 1.

1 Claim, 4 Drawing Sheets



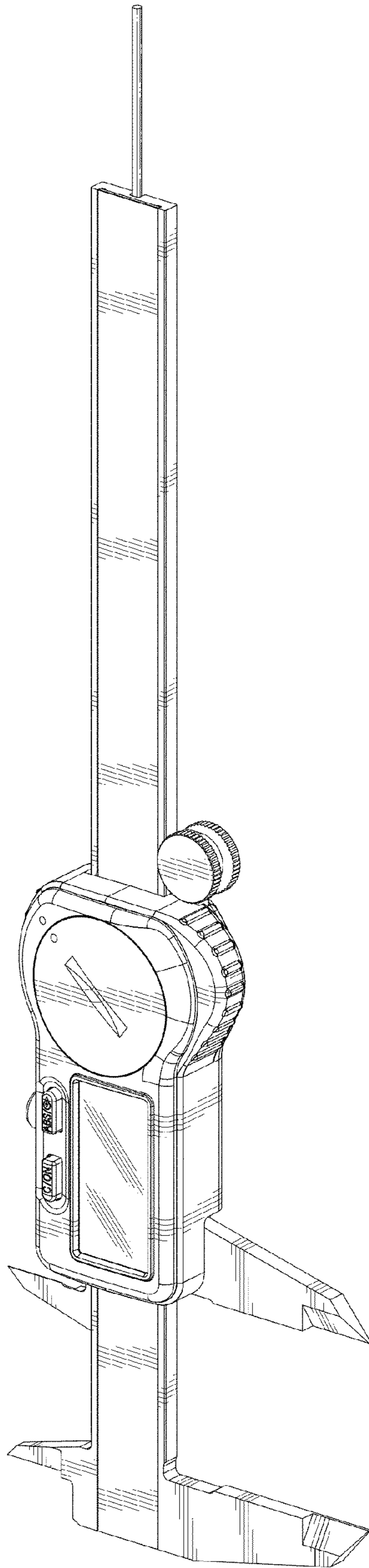


Fig. 1

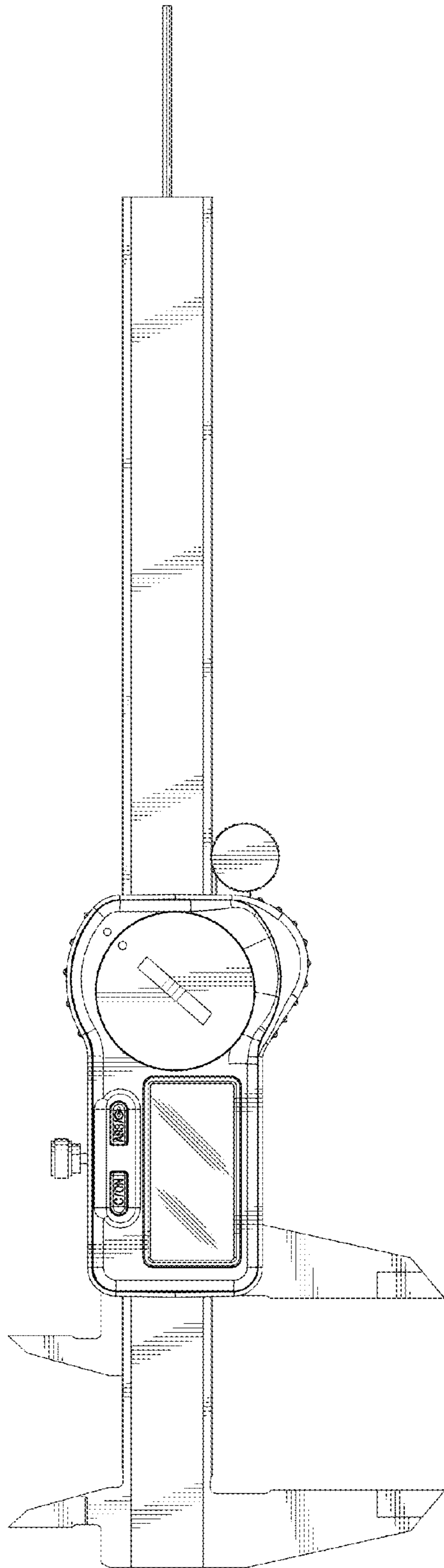


Fig. 2

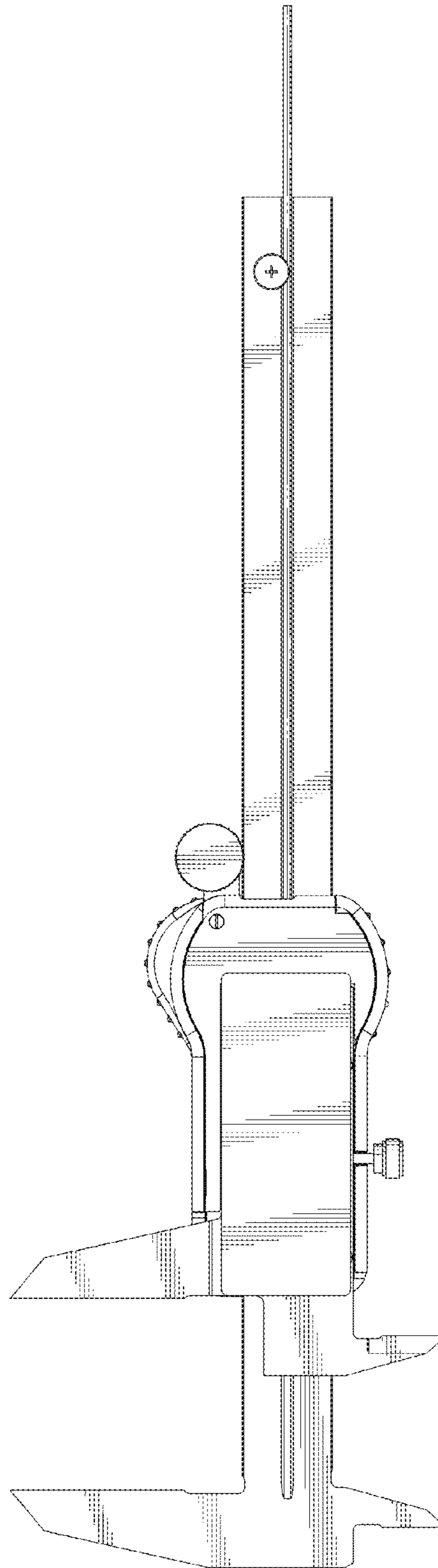


Fig. 3

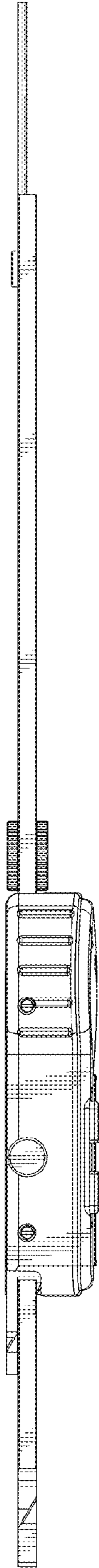


Fig. 4

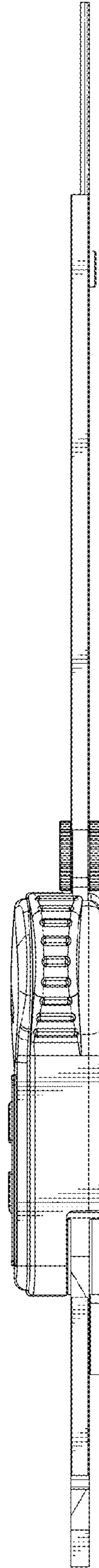


Fig. 5

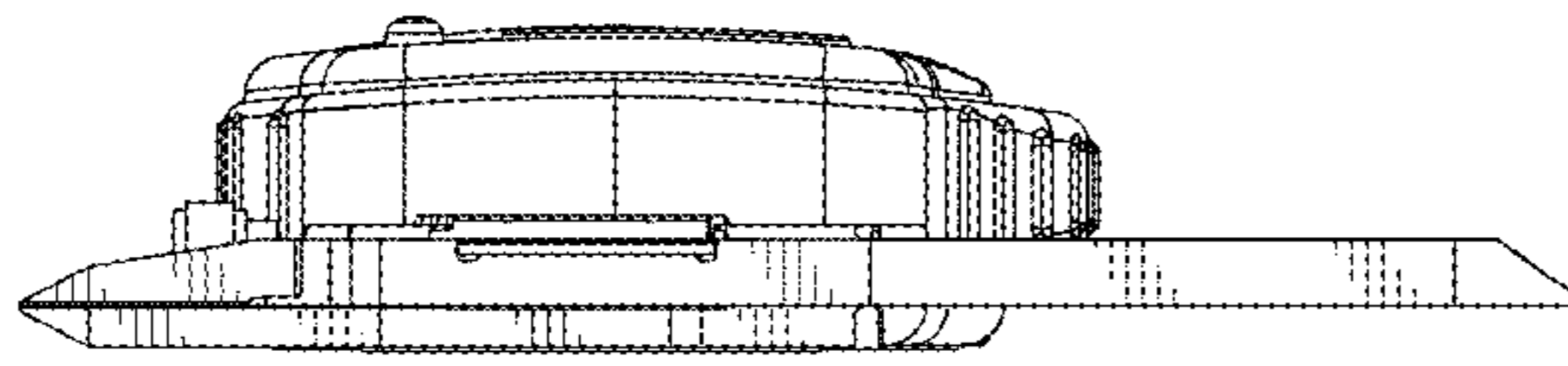


Fig. 7

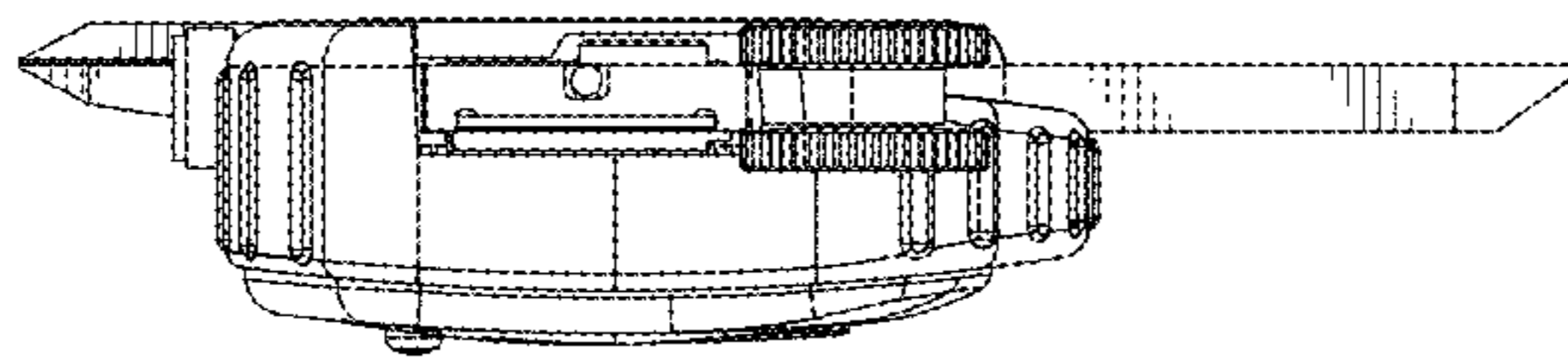


Fig. 6