



US00D699603S

(12) **United States Design Patent**
Banquer

(10) **Patent No.:** **US D699,603 S**

(45) **Date of Patent:** **** Feb. 18, 2014**

(54) **MITER GAUGE**

(71) Applicant: **Israel Banquer**, Marrero, LA (US)

(72) Inventor: **Israel Banquer**, Marrero, LA (US)

(**) Term: **14 Years**

(21) Appl. No.: **29/461,698**

(22) Filed: **Jul. 26, 2013**

(51) **LOC (10) Cl.** **10-04**

(52) **U.S. Cl.**
USPC **D10/65**

(58) **Field of Classification Search**

USPC D10/65; 33/536, 469, 471, 497, 430,
33/641, 640, 202, 482; 83/471.3, 471.2,
83/421, 435.11, 435.14, 425, 435.13,
83/468.3, 474, 477.2

See application file for complete search history.

(56) **References Cited**

U.S. PATENT DOCUMENTS

3,344,824	A	10/1967	Greco	
3,739,678	A	6/1973	Kankaanpaa	
D235,967	S	7/1975	Hildebrandt et al.	
3,927,475	A	12/1975	Chang	
4,016,649	A	4/1977	Kloster	
D268,476	S	4/1983	Owen	
4,522,098	A	6/1985	Bliss	
D279,870	S	7/1985	Wilson	
4,607,434	A	8/1986	Francis	
4,624,054	A	11/1986	Edwards	
4,790,072	A	12/1988	Edwards	
4,911,214	A *	3/1990	Scott	144/154.5
5,084,977	A	2/1992	Perkins	
5,097,601	A *	3/1992	Pollak et al.	33/471
D327,831	S	7/1992	Zehm	

(Continued)

Primary Examiner — Antoine D Davis

(74) *Attorney, Agent, or Firm* — Robert C. Montgomery;
Montgomery Patent & Design

(57) **CLAIM**

The ornamental design for an miter gauge, as shown and described.

DESCRIPTION

FIG. 1 is an isometric view of a miter gauge showing a support portion, a slide guide portion, and an arm portion in juxtaposition;

FIG. 2 is an isometric view of the support portion of the miter gauge;

FIG. 3 is a front view of FIG. 2;

FIG. 4 is a rear view of FIG. 2;

FIG. 5 is a left-hand side view of FIG. 2, illustrated as an exploded view for detail, wherein a right-hand side view is a mirror image of the left-hand side view;

FIG. 6 is a top view of FIG. 2;

FIG. 7 is a bottom view of FIG. 2;

FIG. 8 is a close-up isometric view of the slide guide portion of the miter gauge;

FIG. 9 is a front view of FIG. 8;

FIG. 10 is a rear view of FIG. 8;

FIG. 11 is a left-hand side view of FIG. 8, wherein a right-hand side view is a mirror image of the left-hand side view;

FIG. 12 is a top view of FIG. 8;

FIG. 13 is a bottom view of FIG. 8;

FIG. 14 is an isometric view of the arm portion of the miter gauge;

FIG. 15 is a front view of FIG. 14, wherein a rear view is a mirror image of the front view;

FIG. 16 is a left-hand side view of FIG. 14;

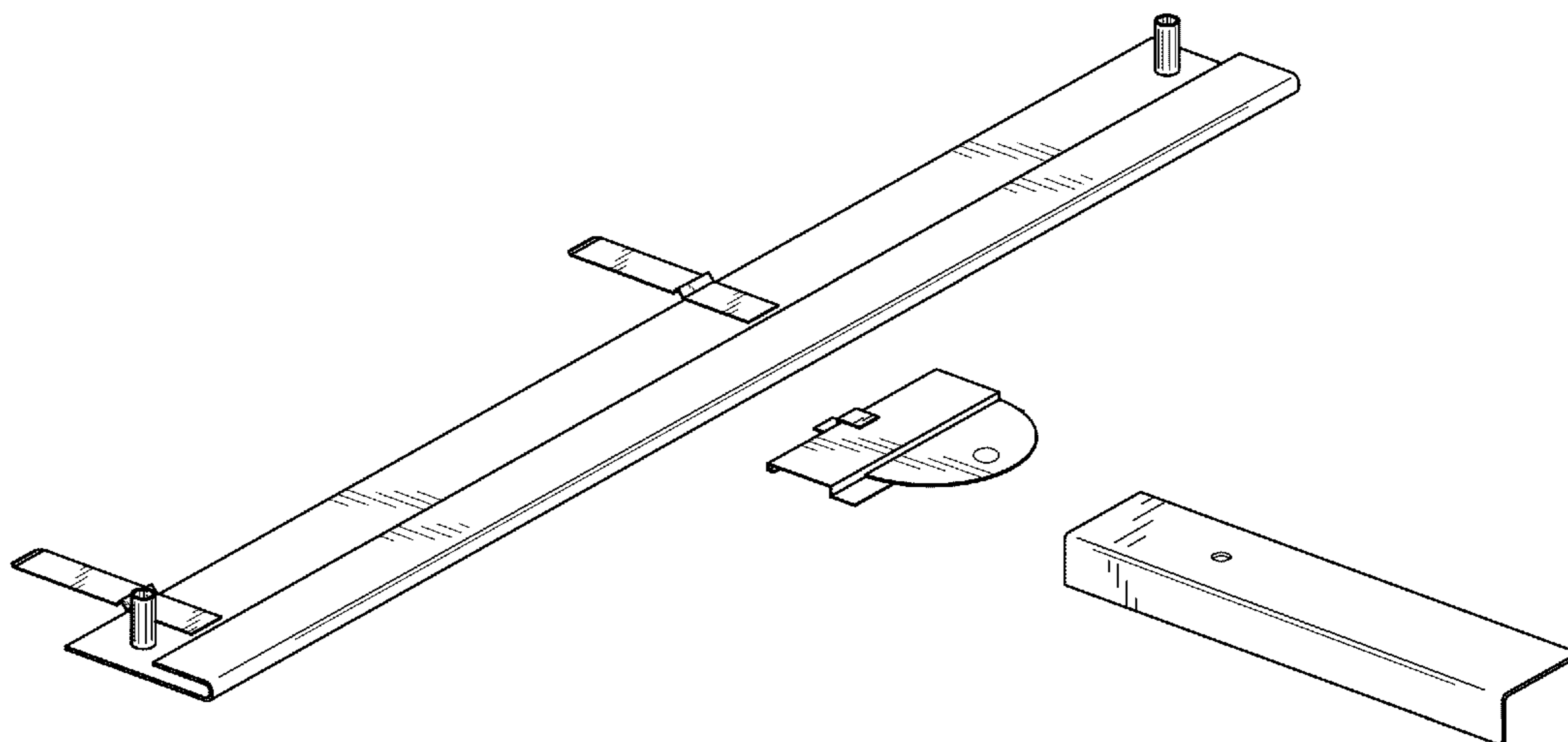
FIG. 17 is a right-hand side view of FIG. 14;

FIG. 18 is a top view of FIG. 14;

FIG. 19 is a bottom view of FIG. 14; and,

FIG. 20 is another isometric view of the miter gauge, having each portion compiled together with a fastening mechanism shown as the environment for illustration.

1 Claim, 20 Drawing Sheets



(56)

References Cited

U.S. PATENT DOCUMENTS

5,271,159 A 12/1993 Chen et al.
D357,875 S * 5/1995 Becker D10/65
D363,238 S * 10/1995 Gilstrap D10/65
D363,239 S * 10/1995 Spierer et al. D10/65
D365,582 S 12/1995 McDaniel
D376,988 S * 12/1996 Bruno D10/65

D400,452 S * 11/1998 Schoene et al. D10/65
5,845,410 A * 12/1998 Boker 33/536
D425,437 S 5/2000 Defelice
D432,929 S * 10/2000 Andersson D10/65
D476,212 S 6/2003 Orton
6,757,981 B2 7/2004 Hampton
7,063,000 B2 6/2006 Molburg
8,047,113 B2 11/2011 Nilsen

* cited by examiner

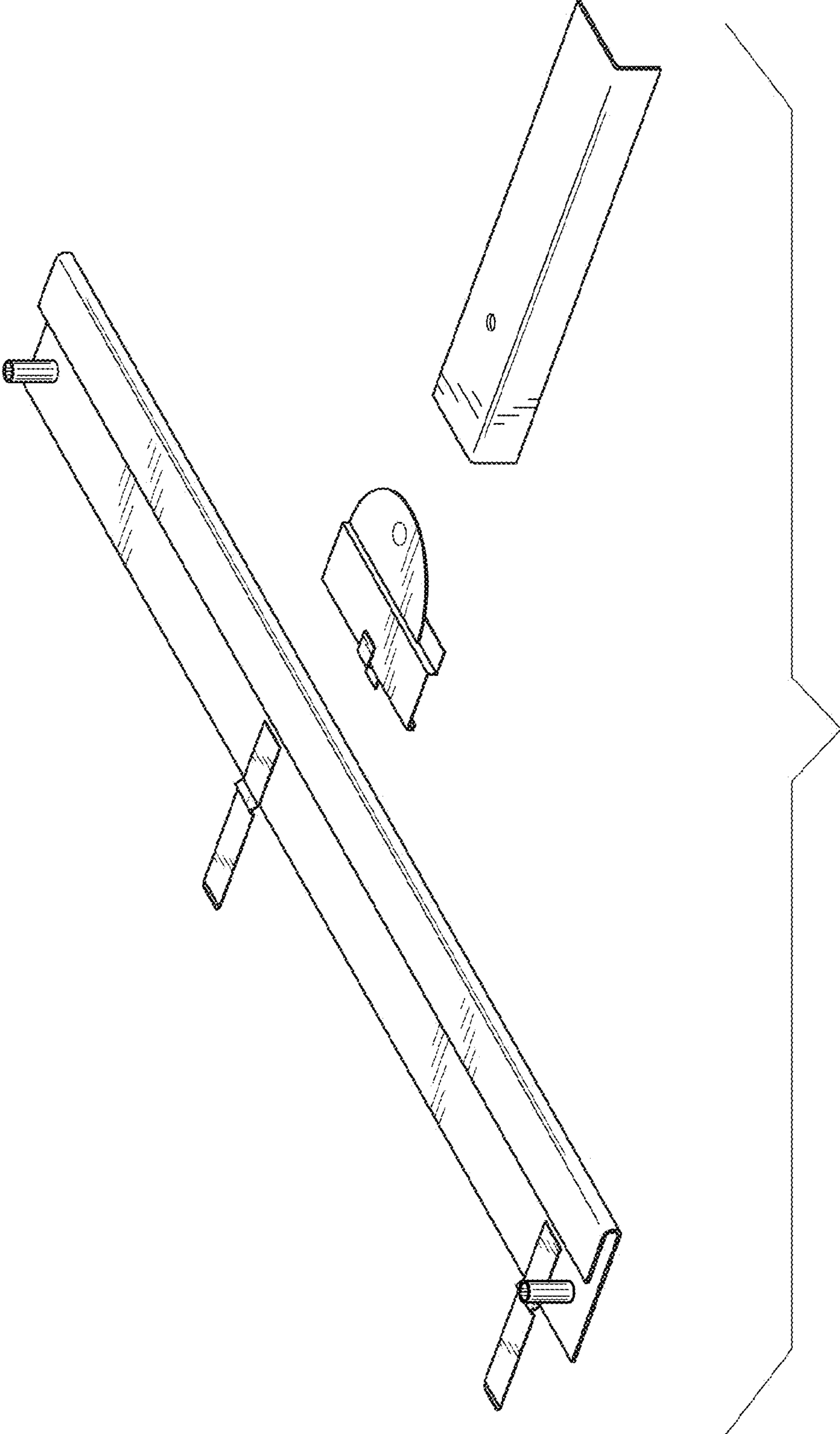


Fig. 1

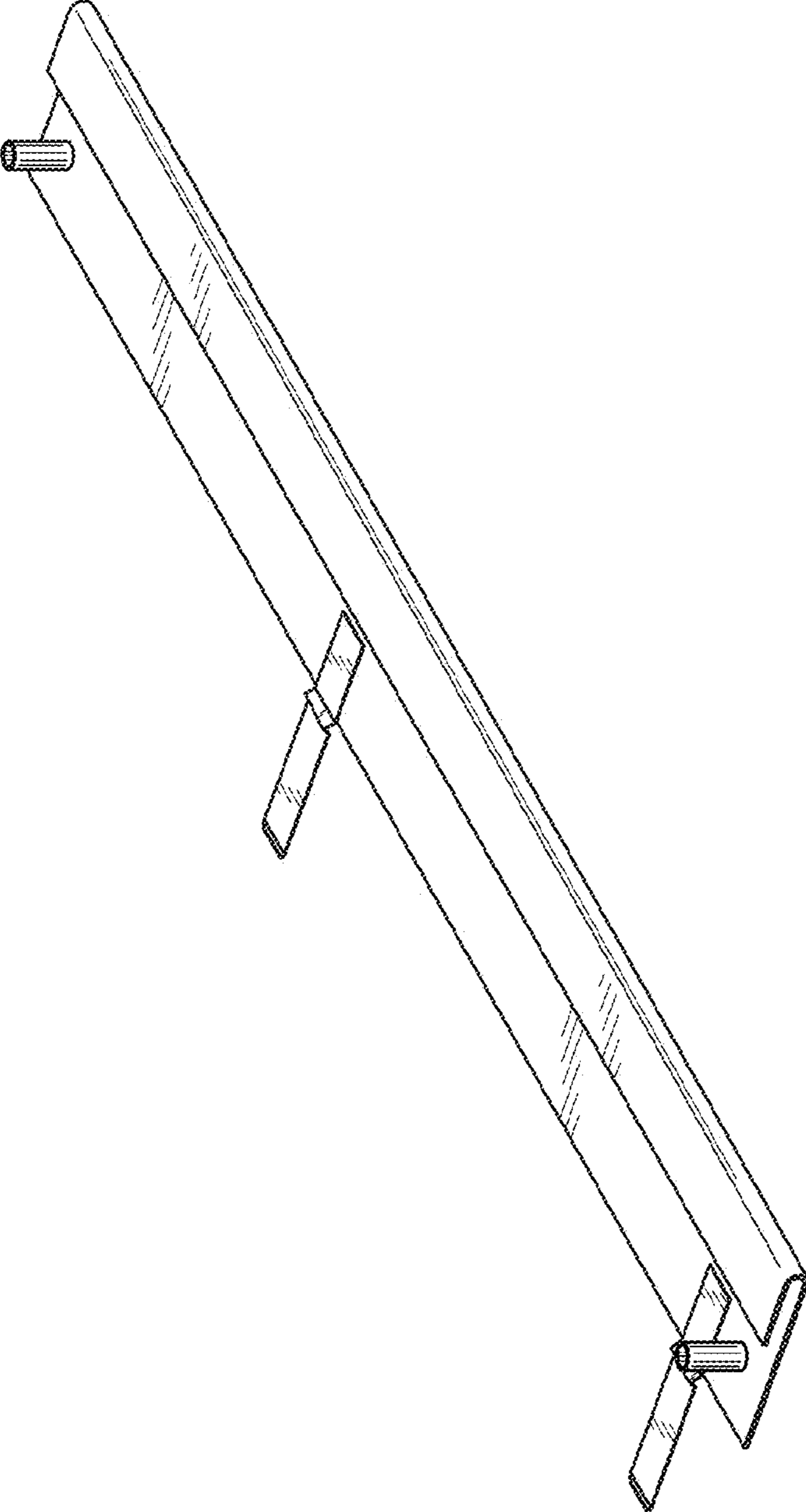


Fig. 2

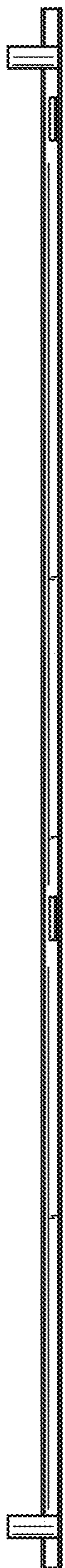


Fig. 3

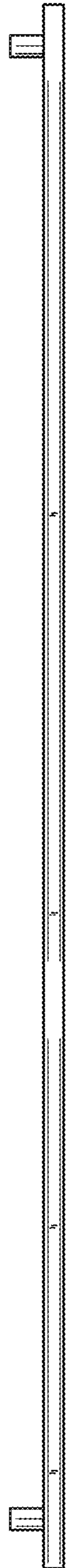


Fig. 4

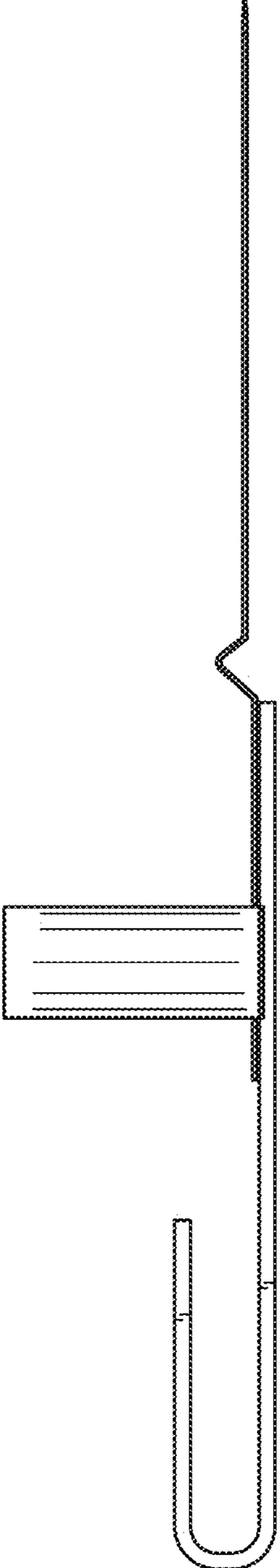


Fig. 5

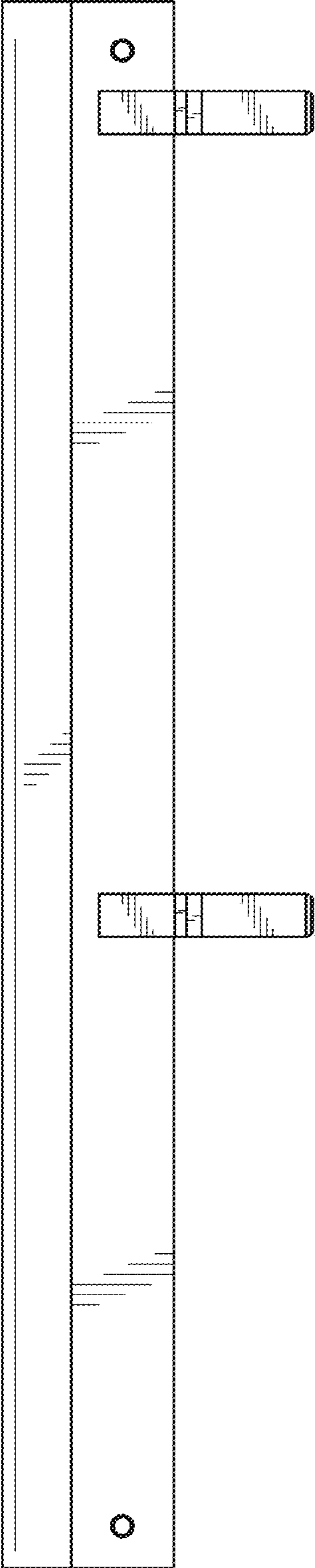


Fig. 6

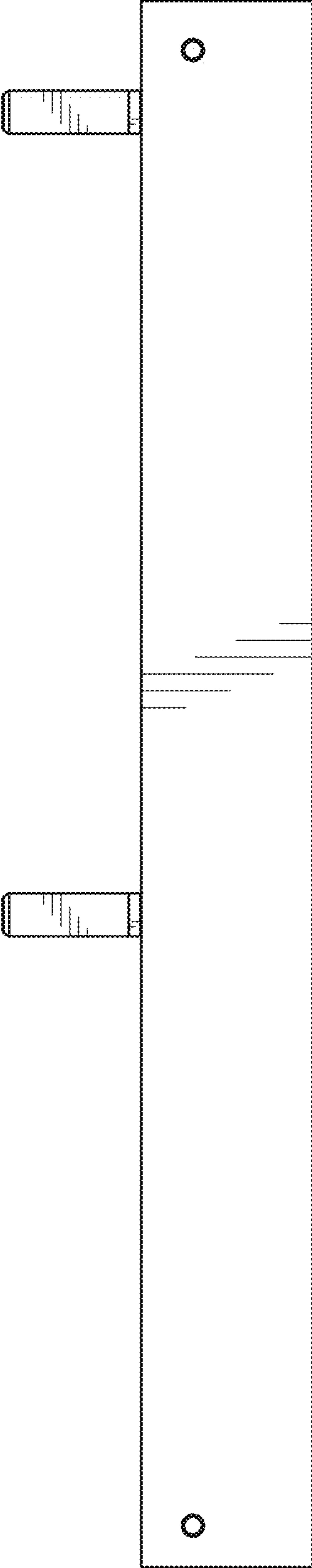


Fig. 7

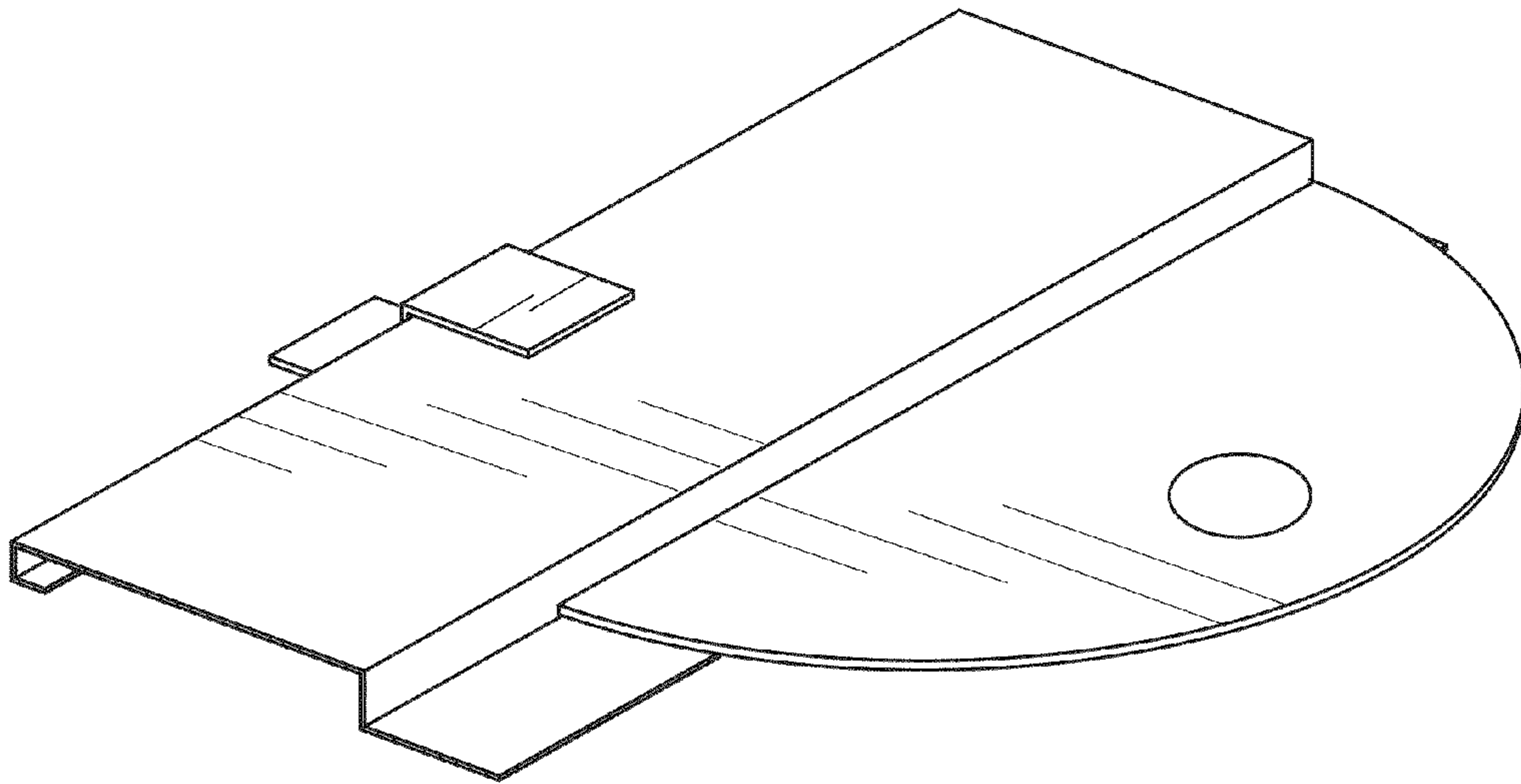


Fig. 8

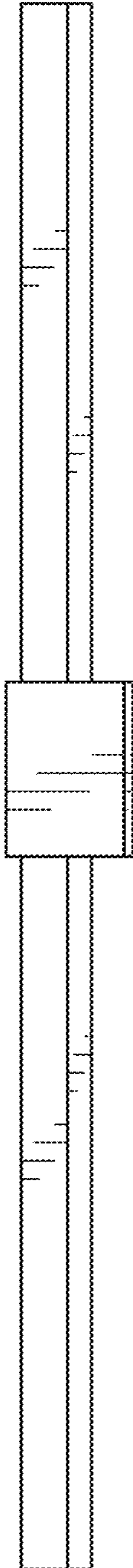


Fig. 9

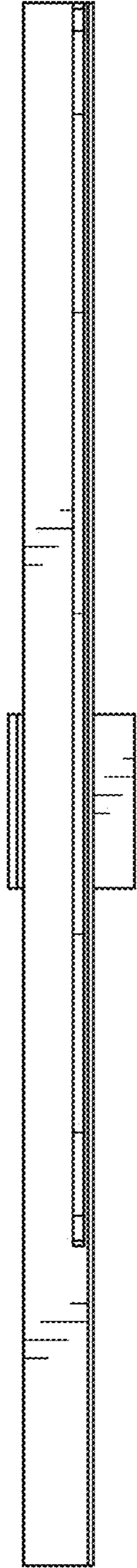


Fig. 10

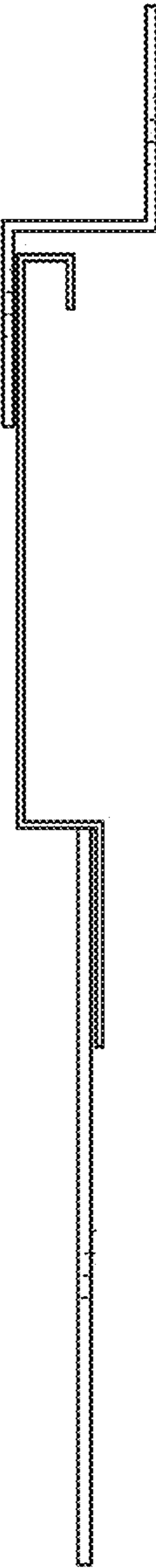


Fig. 11

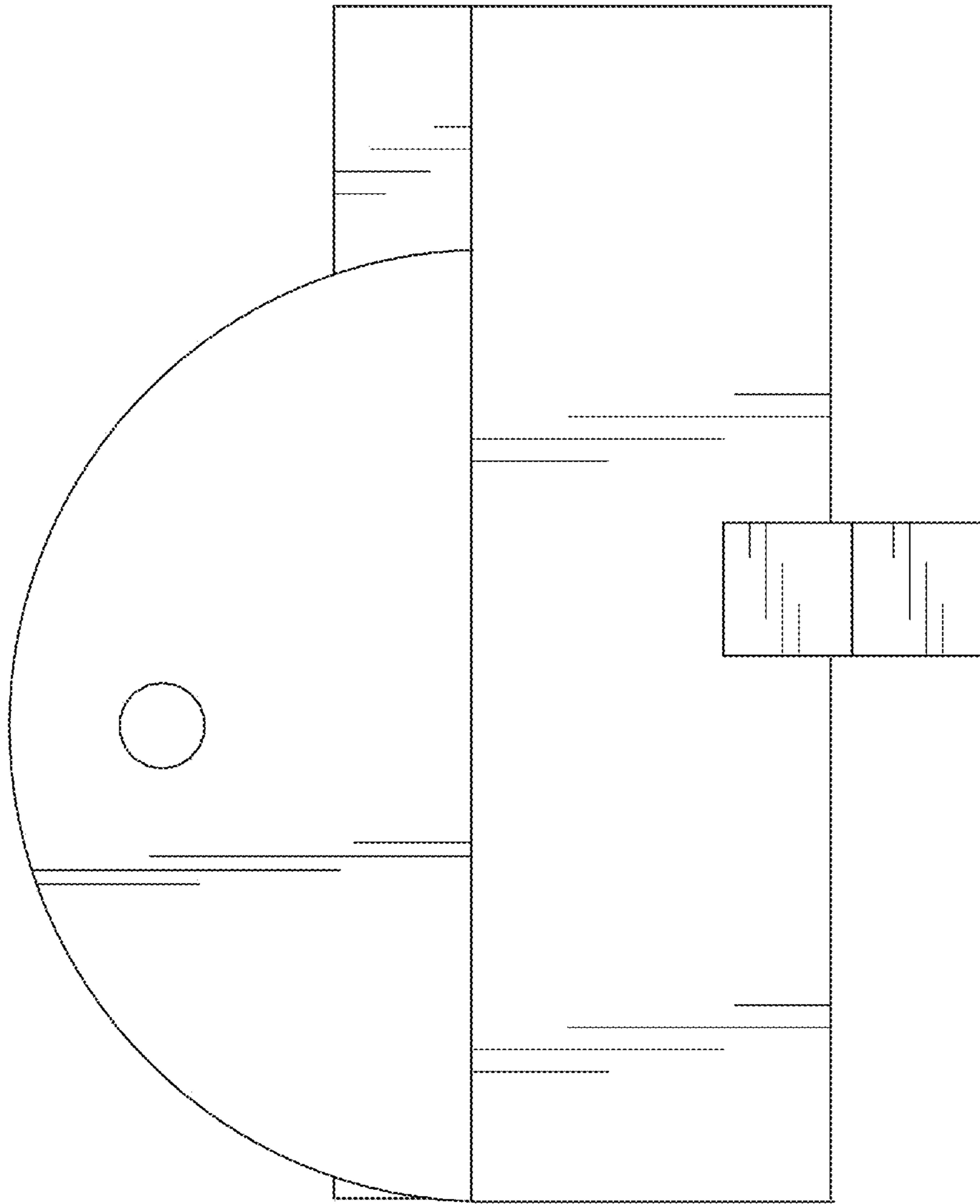


Fig. 12

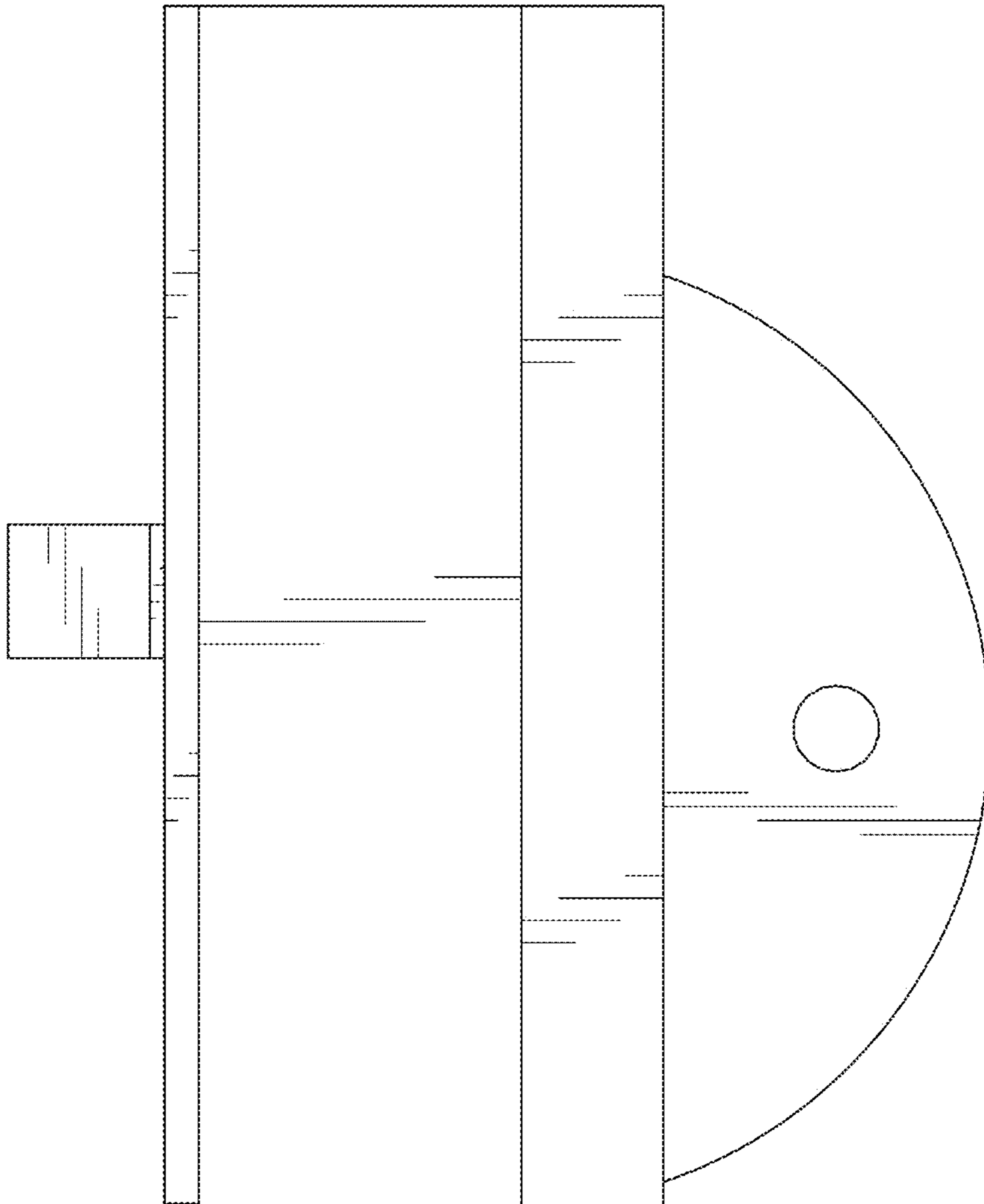


Fig. 13

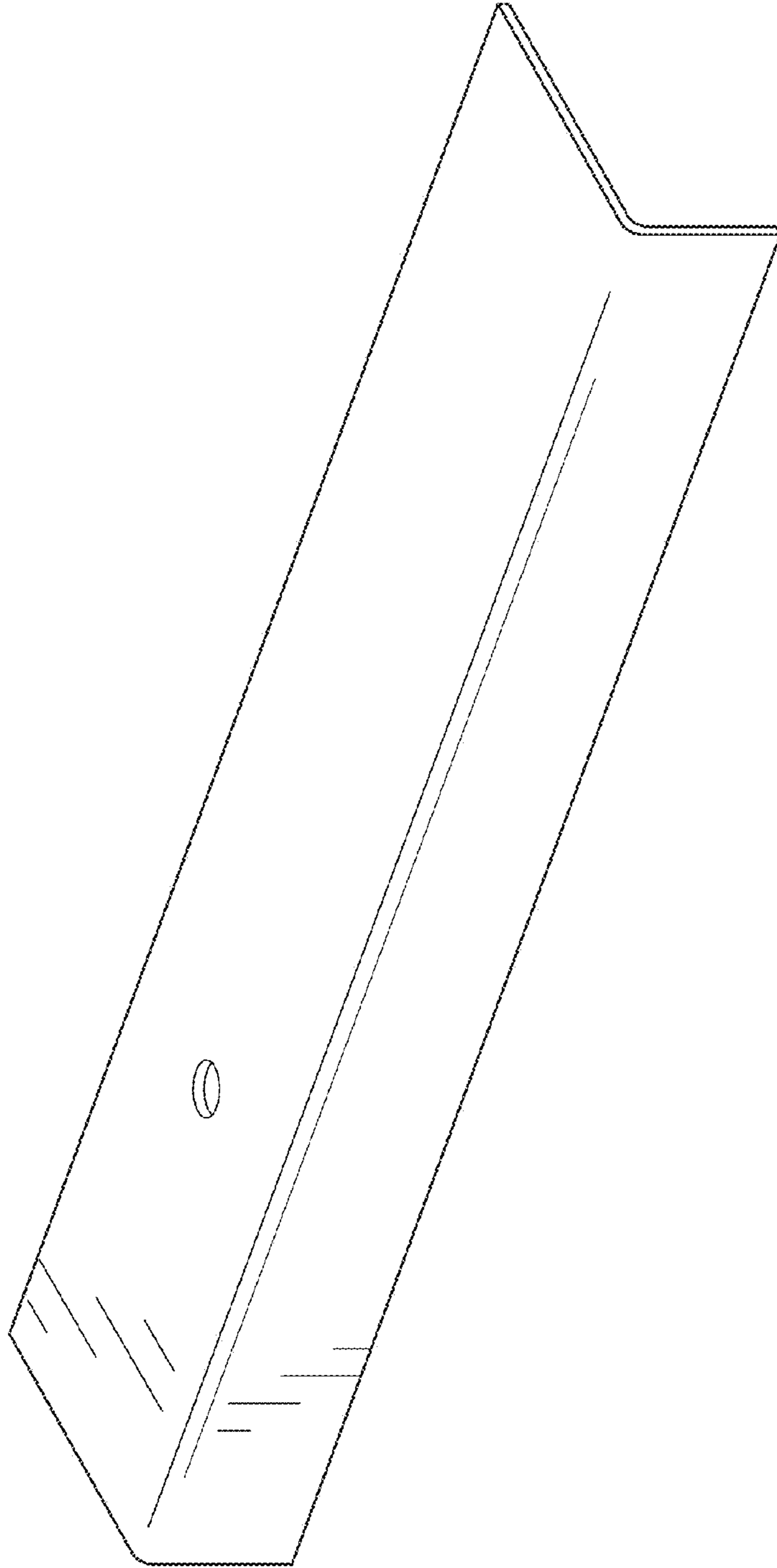


Fig. 14



Fig. 15



Fig. 16

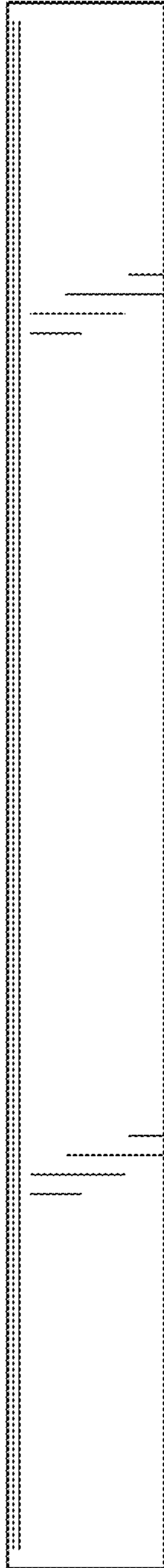


Fig. 17

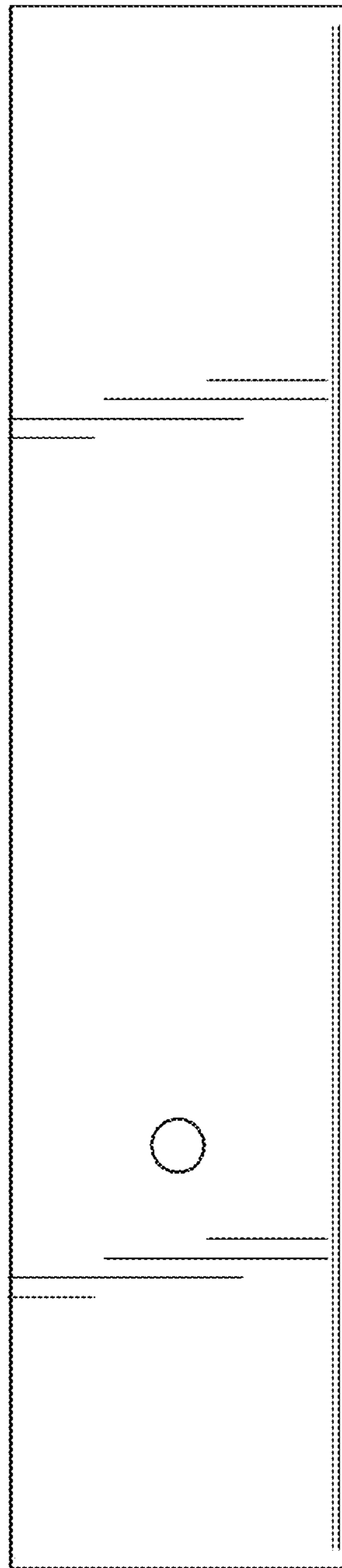


Fig. 18

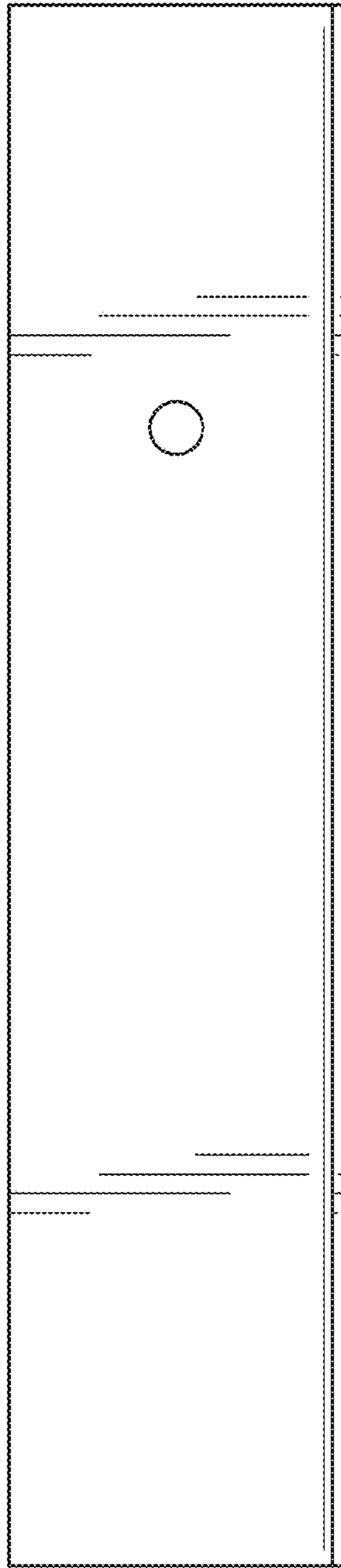


Fig. 19

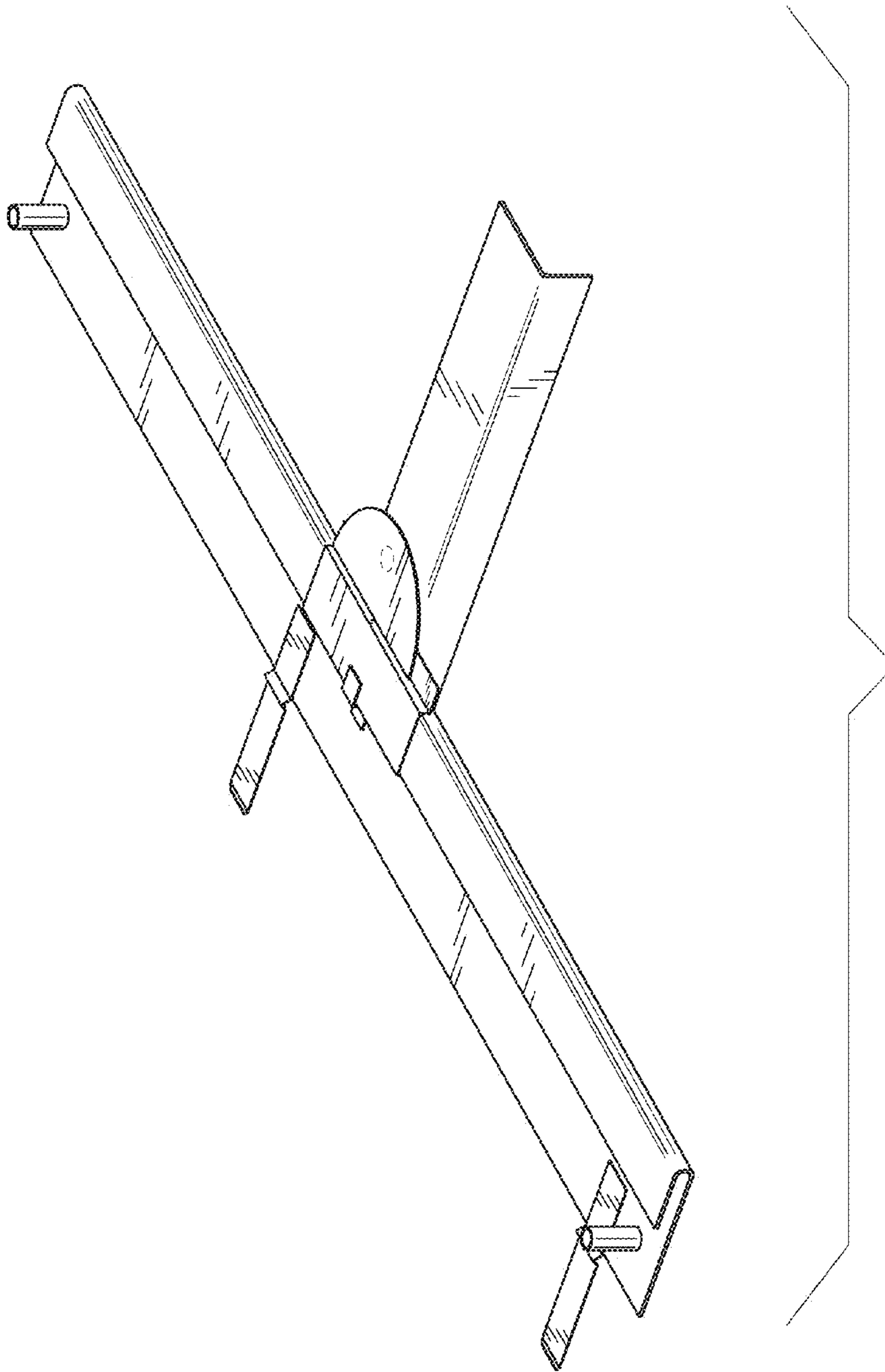


Fig. 20