



US00D699602S

(12) **United States Design Patent**
Miyawaki

(10) **Patent No.:** **US D699,602 S**

(45) **Date of Patent:** **** Feb. 18, 2014**

(54) **NAVIGATION DEVICE**

600/443, 453, 459, 465, 479, 500, 502, 595,
600/485, 481, 483

(71) Applicant: **Clarion Co., Ltd.**, Saitama (JP)

See application file for complete search history.

(72) Inventor: **Masayuki Miyawaki**, Saitama (JP)

(56) **References Cited**

(73) Assignee: **Clarion Co., Ltd.**, Saitama (JP)

U.S. PATENT DOCUMENTS

(**) Term: **14 Years**

(21) Appl. No.: **29/434,837**

(22) Filed: **Oct. 17, 2012**

(30) **Foreign Application Priority Data**

Apr. 17, 2012 (JP) 2012-009016

(51) **LOC (10) Cl.** **10-04**

(52) **U.S. Cl.**
USPC **D10/65; D10/70**

(58) **Field of Classification Search**

USPC D10/65, 70, 75, 78; D14/138 R, 138 AA,
D14/138 AB, 138 AC, 138 AD, 341-347,
D14/507-510, 136, 167, 168, 496, 498, 500,
D14/125-134, 239, 371, 374-377, 440, 450,
D14/448, 336, 342; 343/702; 345/87, 104,
345/133, 156, 168, 173, 901-905, 165;
348/180, 184, 315, 739, 836, 838, 325;
364/444, 499; 701/408-418, 431, 432,
701/537; 312/7.2; 341/12; 720/605, 669,
720/600, 655; 369/99, 197; 455/344, 347,
455/575.1; 250/221, 338.3, 340, 239, 342,
250/341, DIG. 1, 353; 307/116, 117;
340/521, 527, 541, 567, 540, 568.2,
340/539.23, 635, 687; 315/159; 324/72.5,
324/556, 133, 149, 503, 543, 555, 66, 72,
324/754, 115, 141, 522; 73/615, 624, 627,
73/644, 514.33, 514.34, 510, 513, 527,
73/530; 356/3.01-5.15; 235/105; 377/5,
377/24.2, 26; 702/155, 160, 176, 78, 79,
702/82, 91-95, 104, 116, 141, 150, 151,
702/154, 127, 131, 182, 183, 189; 600/437,

D541,681 S *	5/2007	Sekino et al.	D10/65
D541,682 S *	5/2007	Uno	D10/65
D627,244 S *	11/2010	Nakane et al.	D10/65
D665,380 S *	8/2012	Iwamoto	D14/198
D672,330 S *	12/2012	Komagamine	D10/65
D697,424	12/2012	Komagamine	D10/65
D673,471 S *	1/2013	Miyawaki	D10/65
D673,472 S *	1/2013	Sugita	D10/65
D676,342 S *	2/2013	Koiwa	D10/65
D679,677 S *	4/2013	Tomono et al.	D14/168
D680,095 S *	4/2013	Tomono	D14/168
D680,450 S *	4/2013	Shimizu	D10/65
D689,384 S *	9/2013	Morikawa	D10/65

* cited by examiner

Primary Examiner — Antoine D Davis

(74) *Attorney, Agent, or Firm* — McDermott Will & Emery LLP

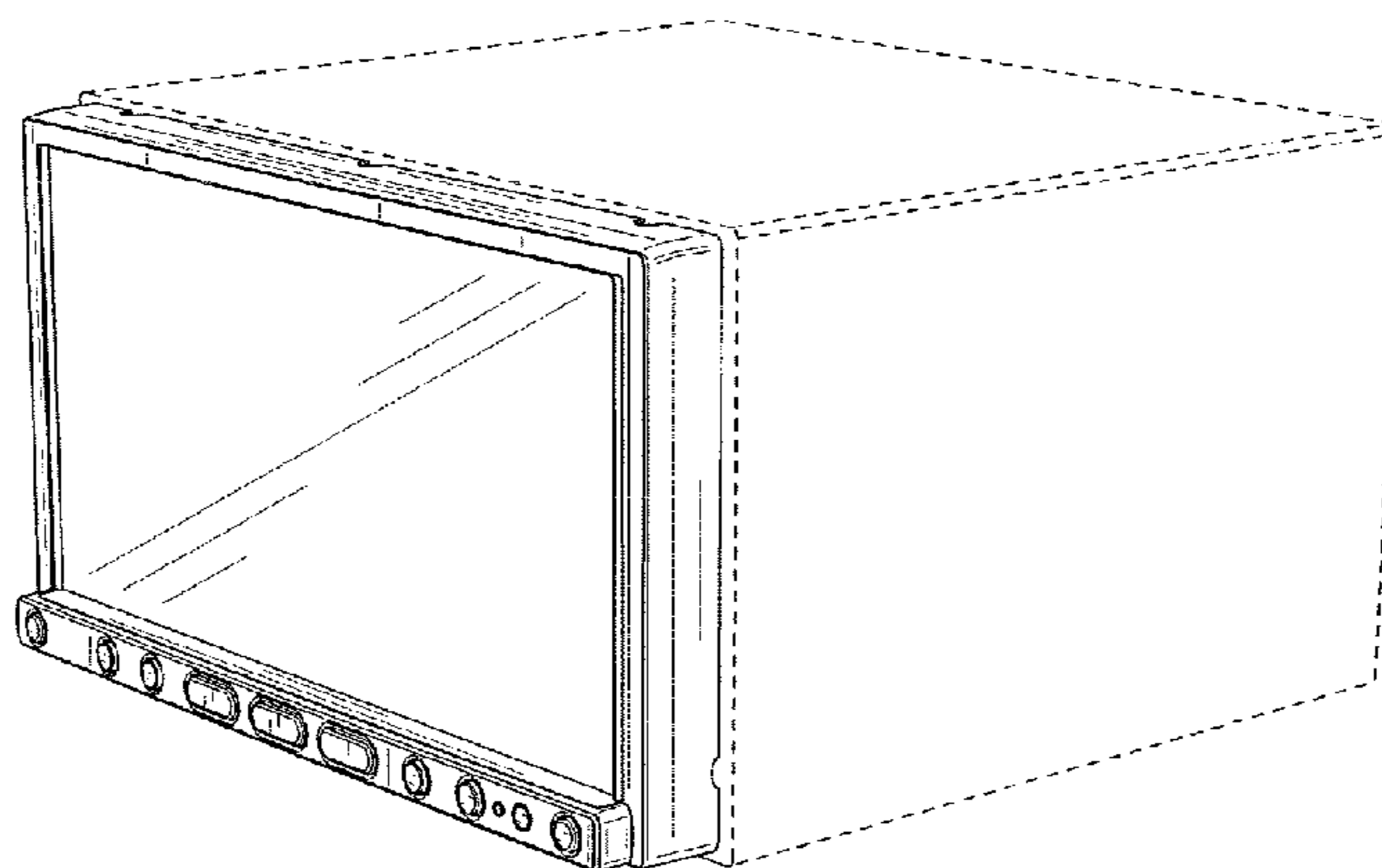
(57) **CLAIM**

The ornamental design for a navigation device, as shown and described.

DESCRIPTION

FIG. 1 is a right perspective view of a navigation device;
FIG. 2 is a left perspective view thereof;
FIG. 3 is a front view thereof;
FIG. 4 is a rear view thereof;
FIG. 5 is a left side view thereof;
FIG. 6 is a right side view thereof;
FIG. 7 is a top view thereof;
FIG. 8 is a bottom view thereof; and,
FIG. 9 is an enlarged perspective view thereof.
The broken lines in the drawings illustrate environmental subject matter only and form no part of the claimed design.

1 Claim, 7 Drawing Sheets



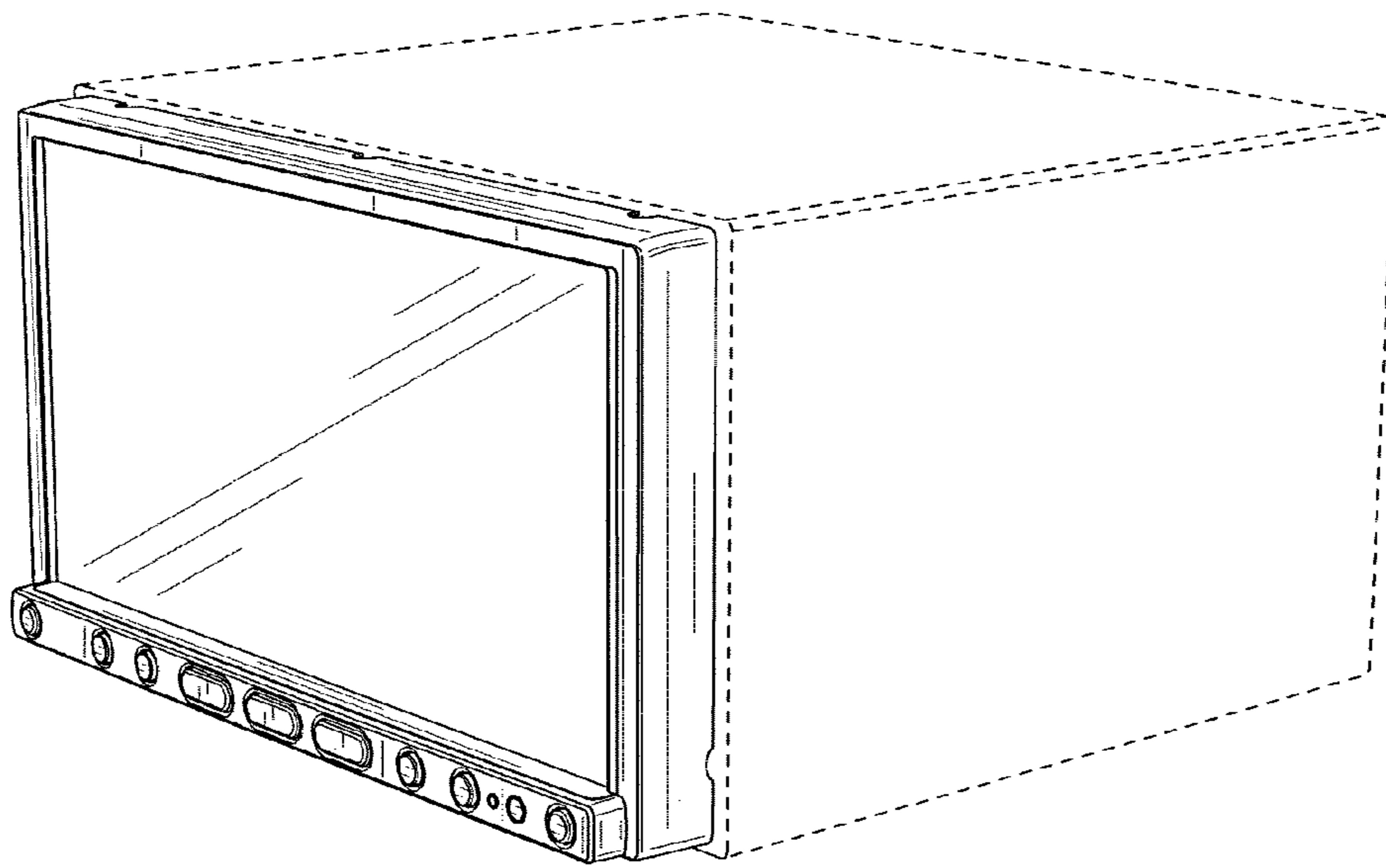


FIG. 1

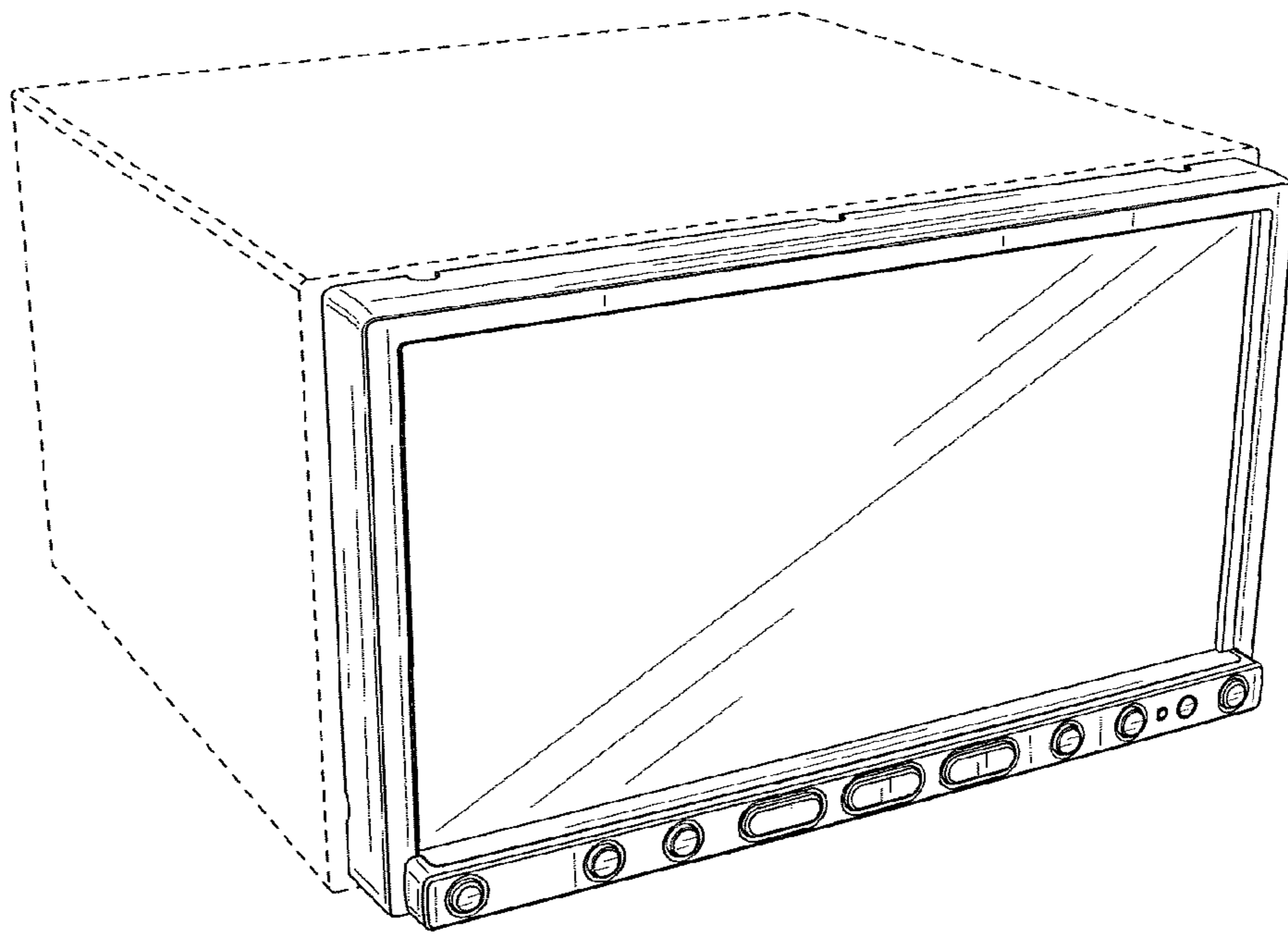


FIG. 2

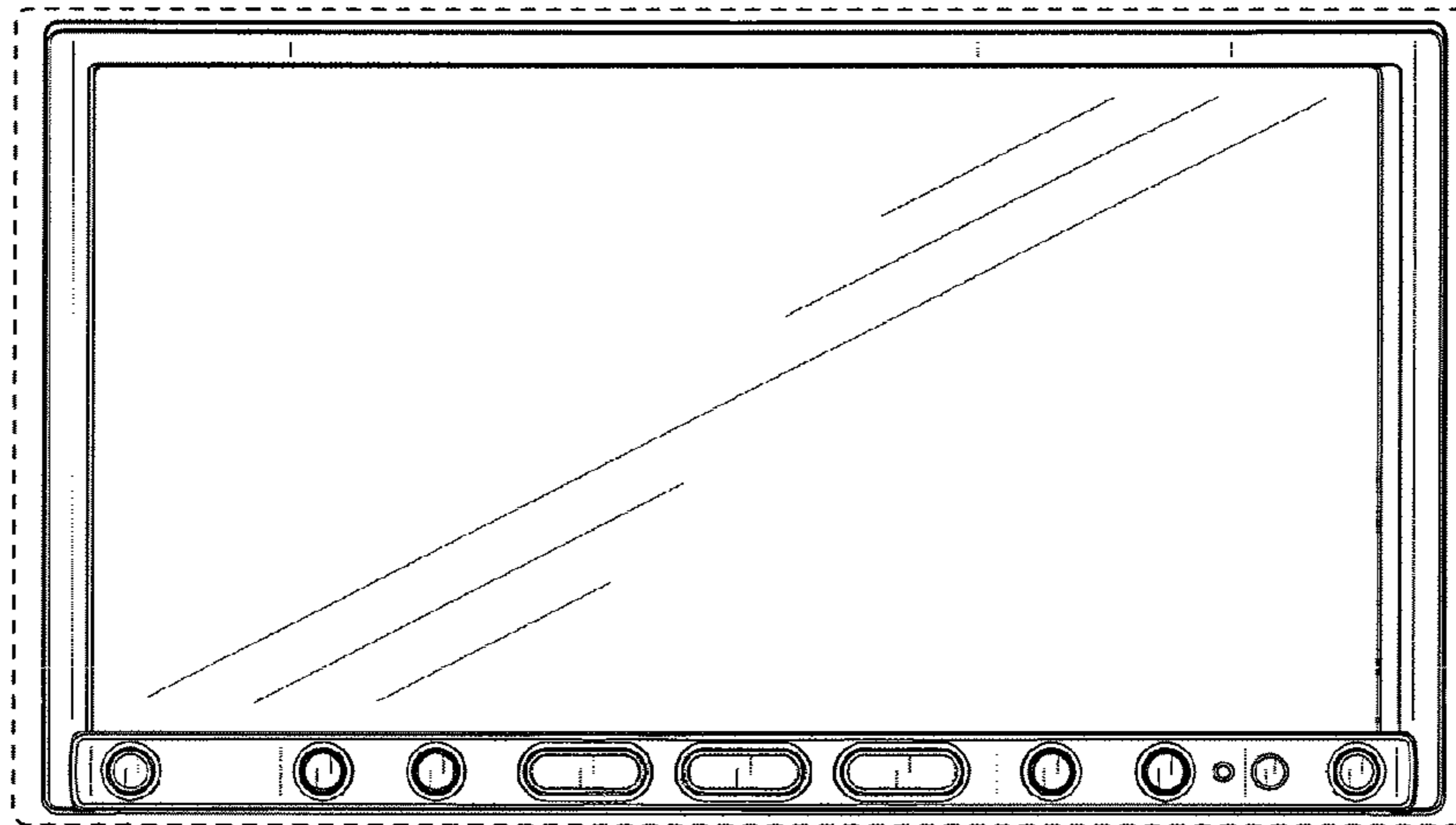


FIG. 3



FIG. 4



FIG. 5

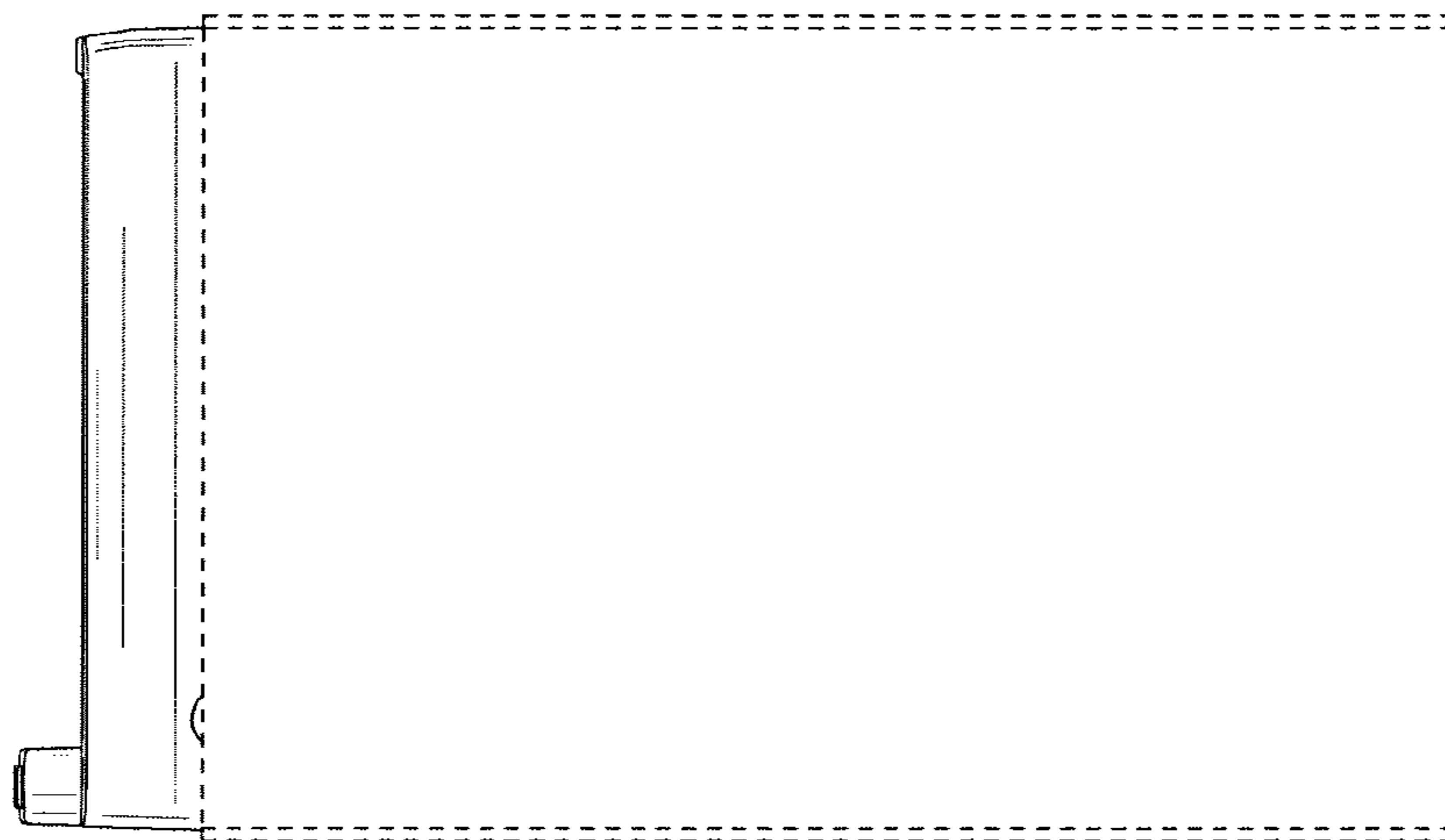


FIG. 6

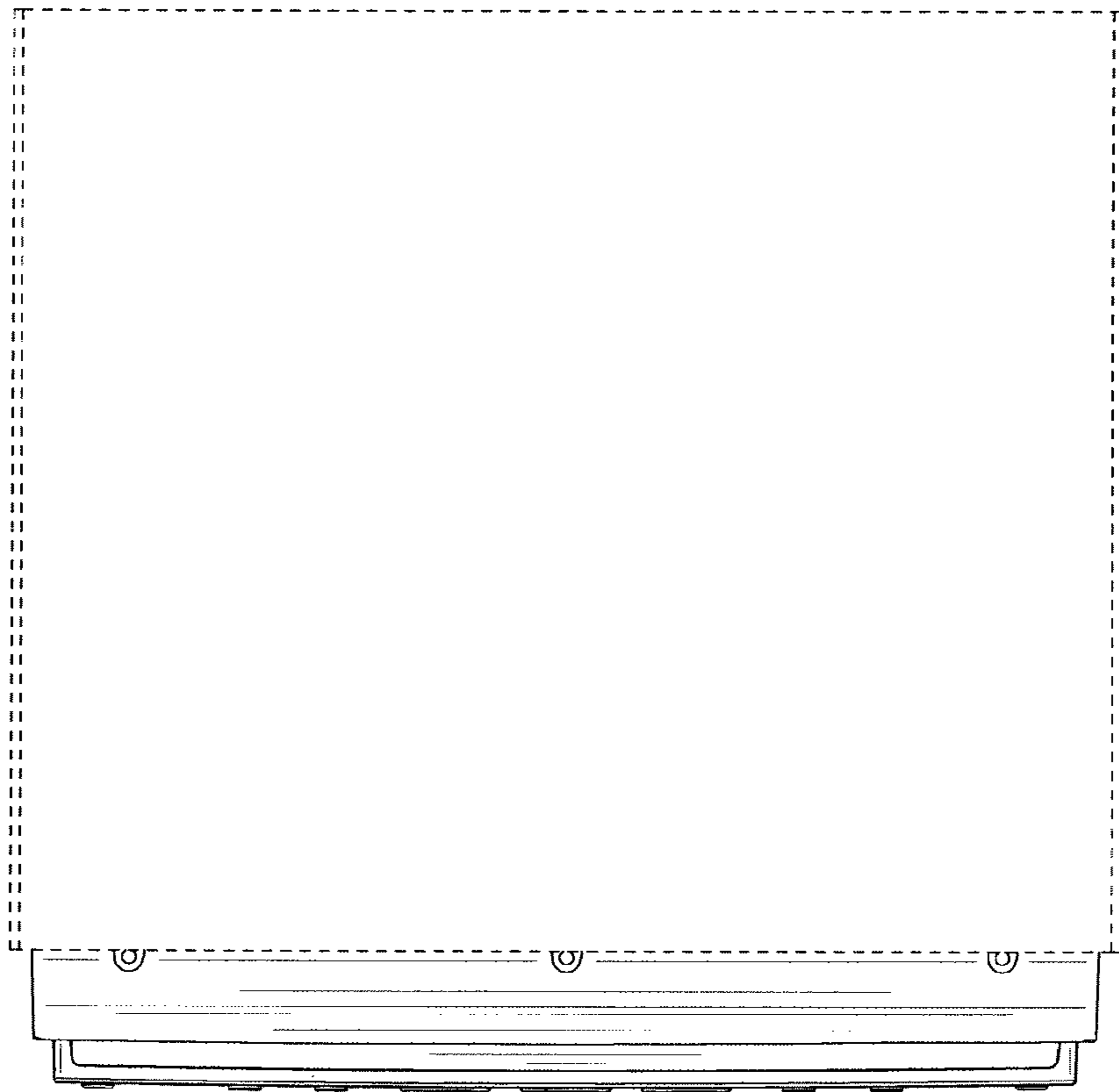


FIG. 7

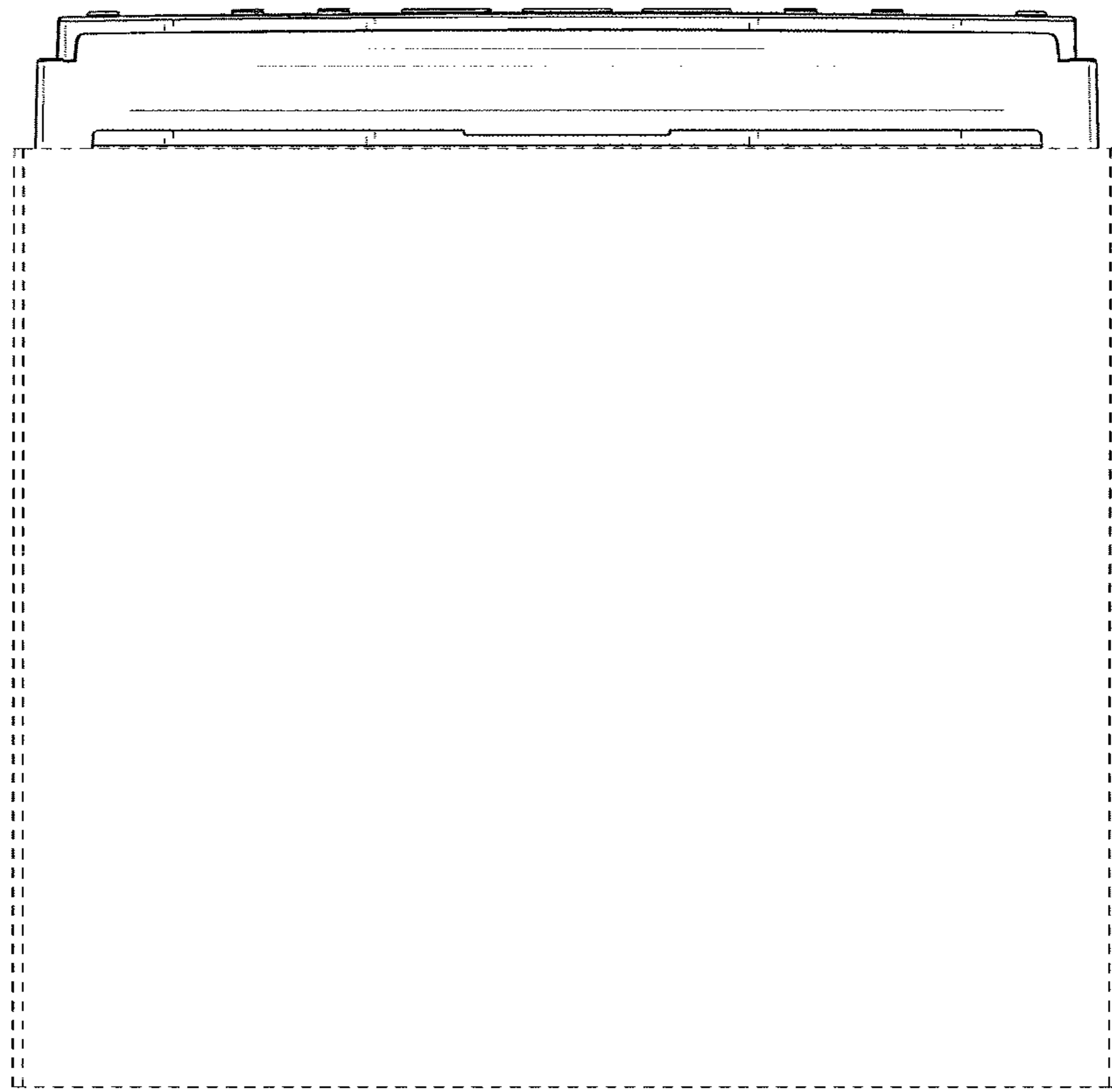


FIG. 8

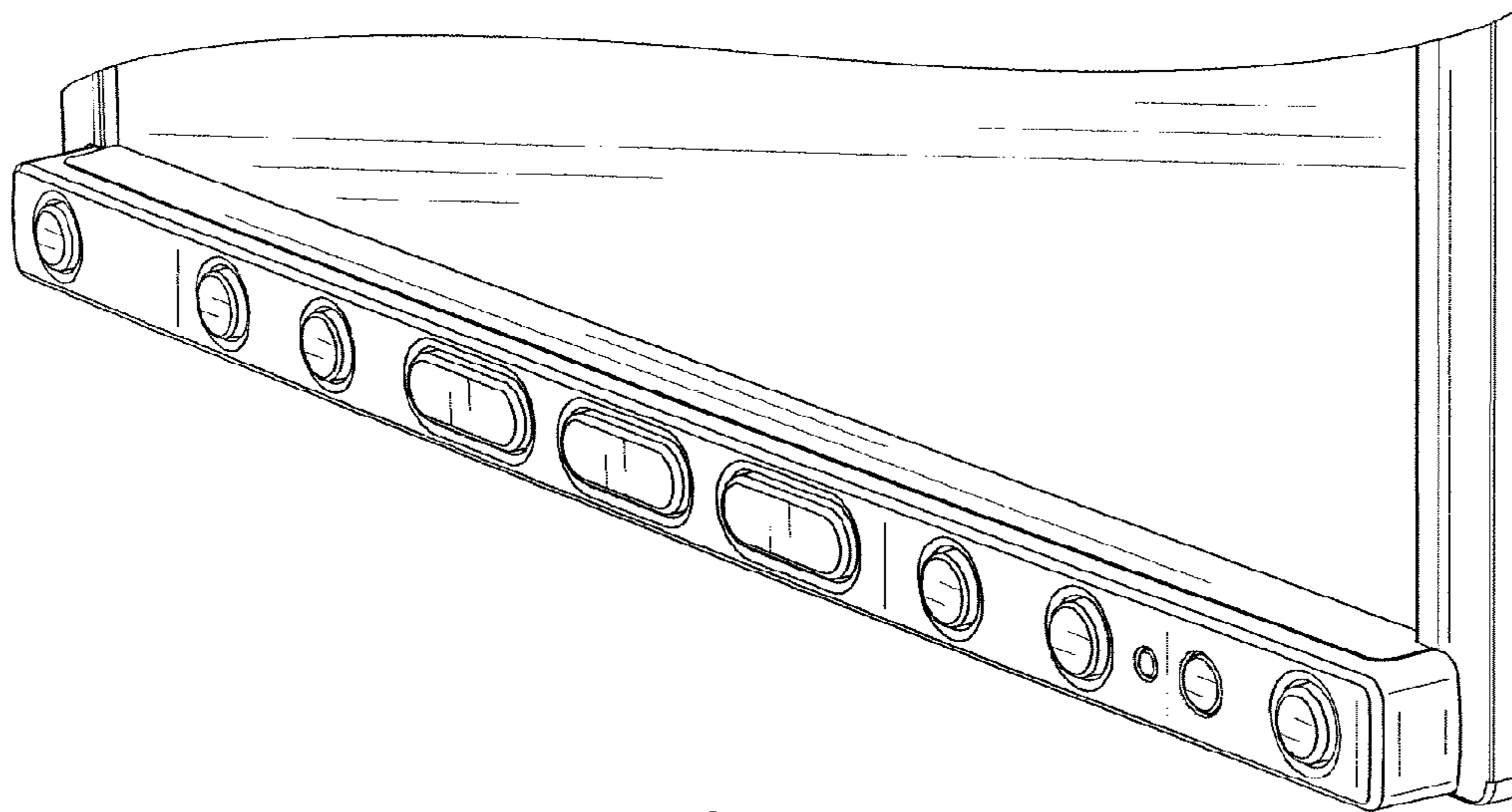


FIG. 9