



US00D699601S

(12) **United States Design Patent**
Larson

(10) **Patent No.:** **US D699,601 S**
(45) **Date of Patent:** **** Feb. 18, 2014**

(54) **ANGLE FINDER**

FOREIGN PATENT DOCUMENTS

(75) Inventor: **David Aaron Larson**, St. Charles, IL
(US)

EP 2065673 A2 6/2009
FR 2817892 A1 6/2002
GB 1070827 6/1967
GB 2 248 505 A 4/1992

(73) Assignee: **Nomis LLC**, Elgin, IL (US)

OTHER PUBLICATIONS

(**) Term: **14 Years**

Anglefix Mitre Guide: Trend Routing Technology; dated last visited Sep. 25, 2012; 1 page printed from internet; http://www.trend-uk.com/en/US/product/U*ANGLEFIX/2/7/anglefix_mitre_guide_.html.

(21) Appl. No.: **29/431,523**

U.S. Appl. No. 29/426,286, filed Jul. 3, 2012, Adkins.

(22) Filed: **Sep. 7, 2012**

(51) **LOC (10) Cl.** **10-04**

(52) **U.S. Cl.**

USPC **D10/65**

(58) **Field of Classification Search**

USPC D10/65; 33/374, 451, 478, 25.1,
33/418-420, 452-473, 495-500, 534,
33/641; 83/767, 683, 471.2, 522.17,
83/522.25, 574, 581, 435.14, 435.12,
83/435.15, 477.2, 435.11, 437.1, 821, 762,
83/468.3

See application file for complete search history.

* cited by examiner

Primary Examiner — Antoine D Davis

(74) *Attorney, Agent, or Firm* — Reinhart Boerner Van Deuren P.C.

(57) **CLAIM**

I claim the ornamental design for the angle finder, as shown and described.

DESCRIPTION

(56) **References Cited**

U.S. PATENT DOCUMENTS

946,472	A *	1/1910	Stauffer	33/343
D376,110	S *	12/1996	Quint, Jr.	D10/65
5,737,990	A *	4/1998	Freeland et al.	83/767
6,209,213	B1 *	4/2001	Moe	33/471
6,807,743	B2 *	10/2004	Odachowski	33/465
D562,709	S *	2/2008	Sterpka et al.	D10/65
D610,477	S *	2/2010	Li et al.	D10/65
D657,271	S *	4/2012	Quint, Jr.	D10/65
8,413,344	B2 *	4/2013	Shapiro	33/471
2004/0172840	A1 *	9/2004	Odachowski	33/465
2006/0005408	A1 *	1/2006	Fernand	33/471
2011/0005093	A1 *	1/2011	Shapiro	33/471
2011/0071437	A1 *	3/2011	Merchant	33/471

FIG. 1 is a first top perspective view of the angle finder;
FIG. 2 is a second top perspective view thereof;
FIG. 3 is a bottom perspective view thereof;
FIG. 4 is a top view thereof;
FIG. 5 is a side view thereof;
FIG. 6 is a side view thereof showing the side opposite that shown in FIG. 5;
FIG. 7 is a bottom view thereof;
FIG. 8 is a rear view thereof; and,
FIG. 9 is a front view thereof.
In the figures, dashed lines are used to illustrate features of the angle finder which form no part of the claimed design.

1 Claim, 6 Drawing Sheets

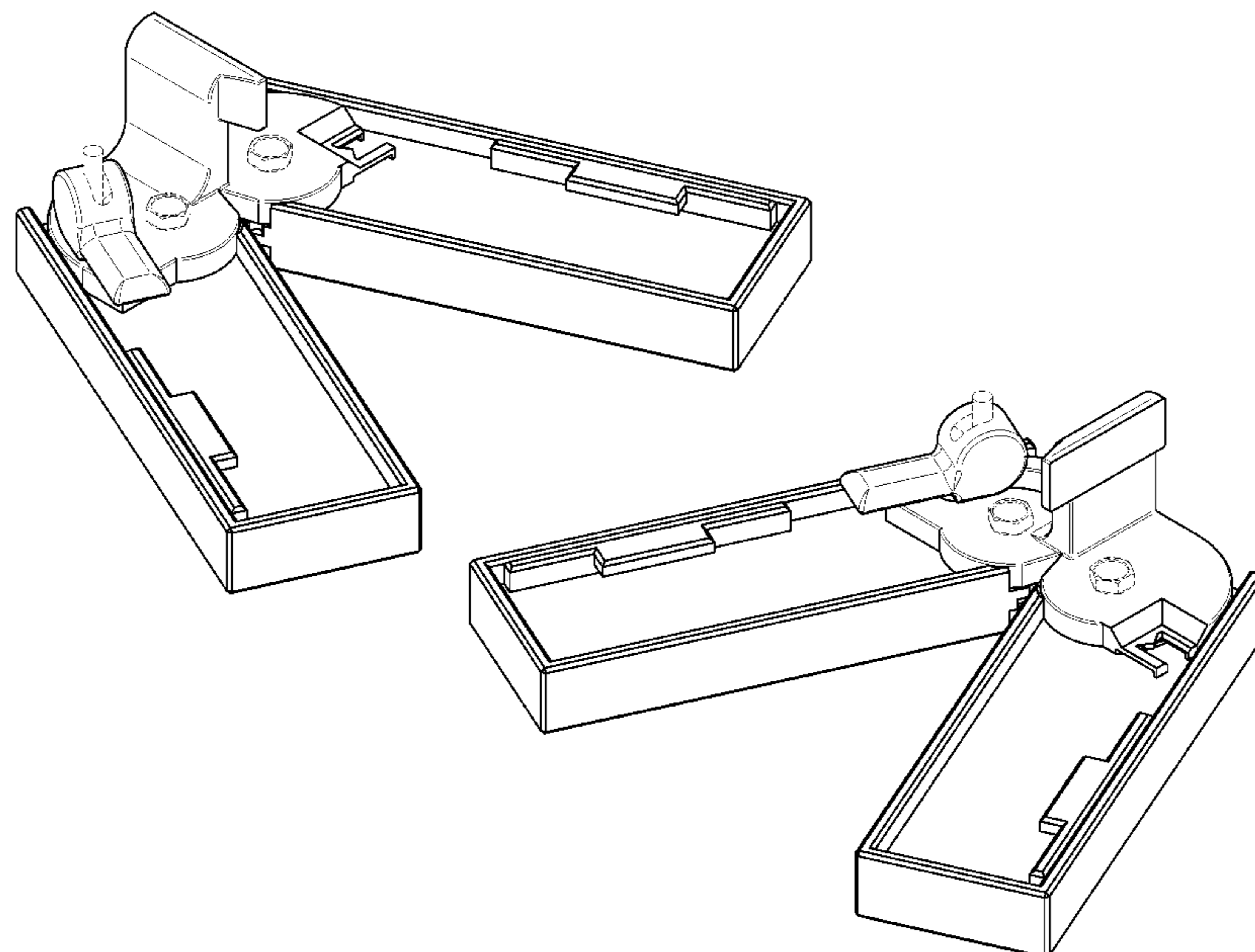
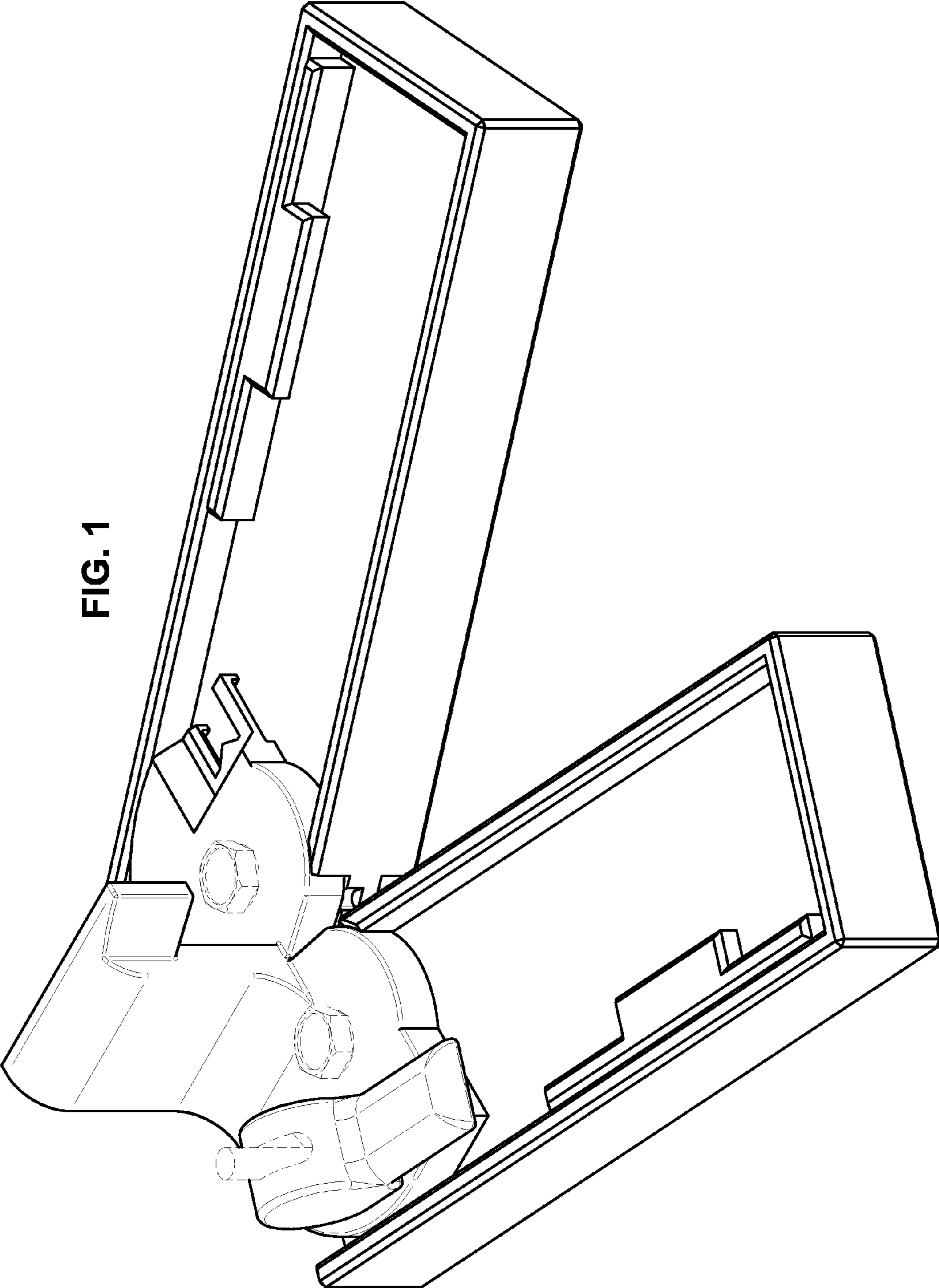


FIG. 1



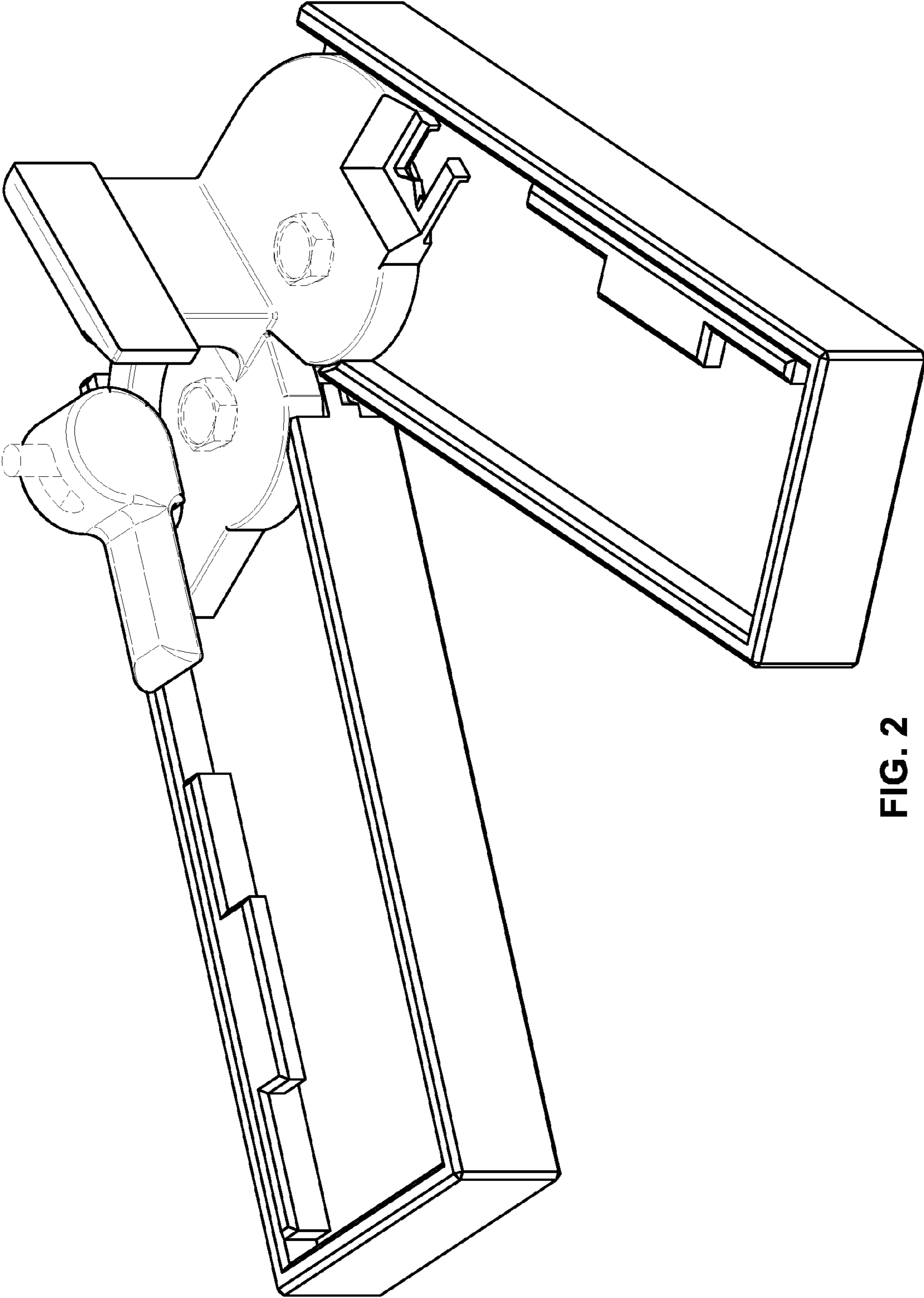


FIG. 2

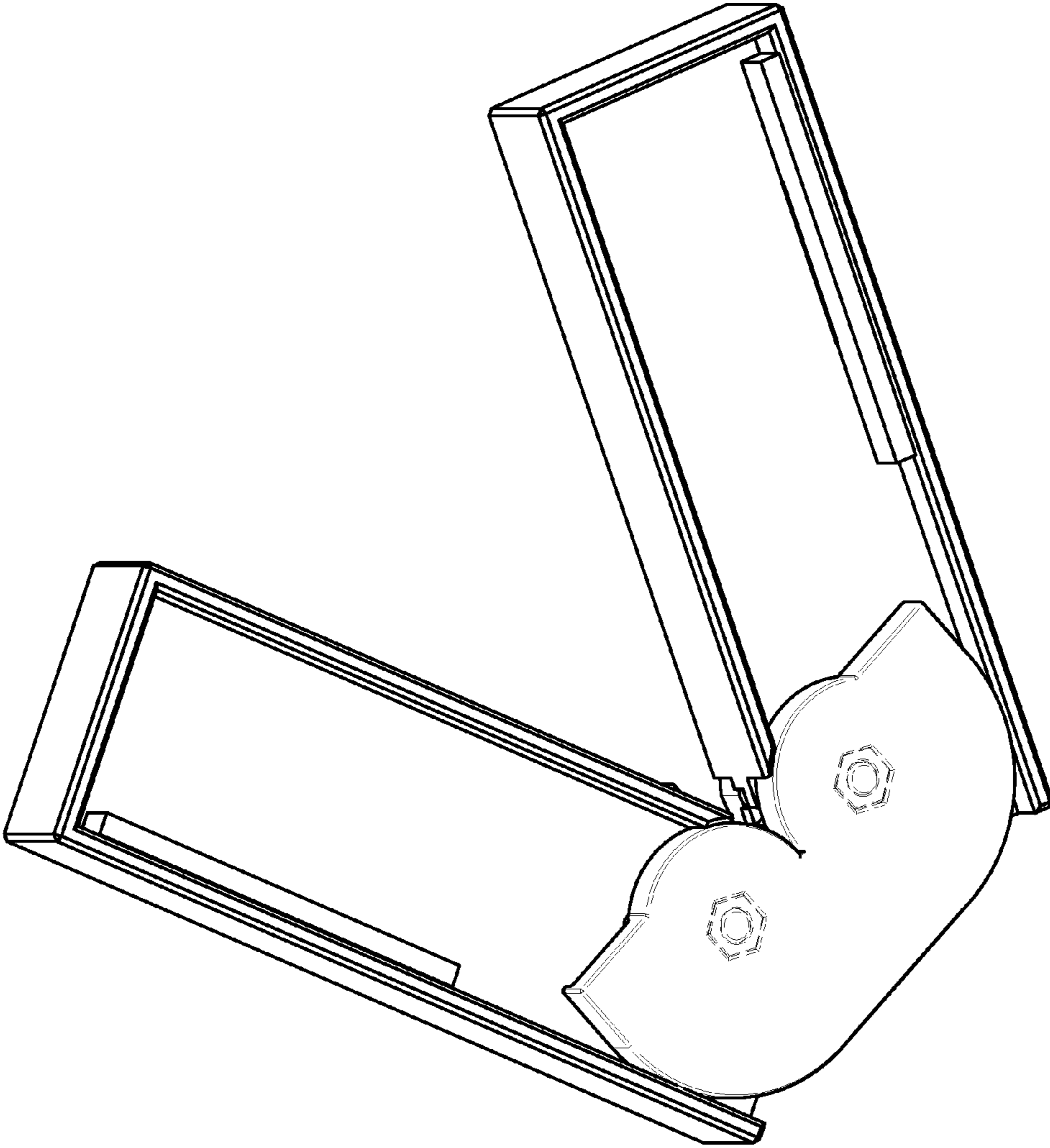


FIG. 3

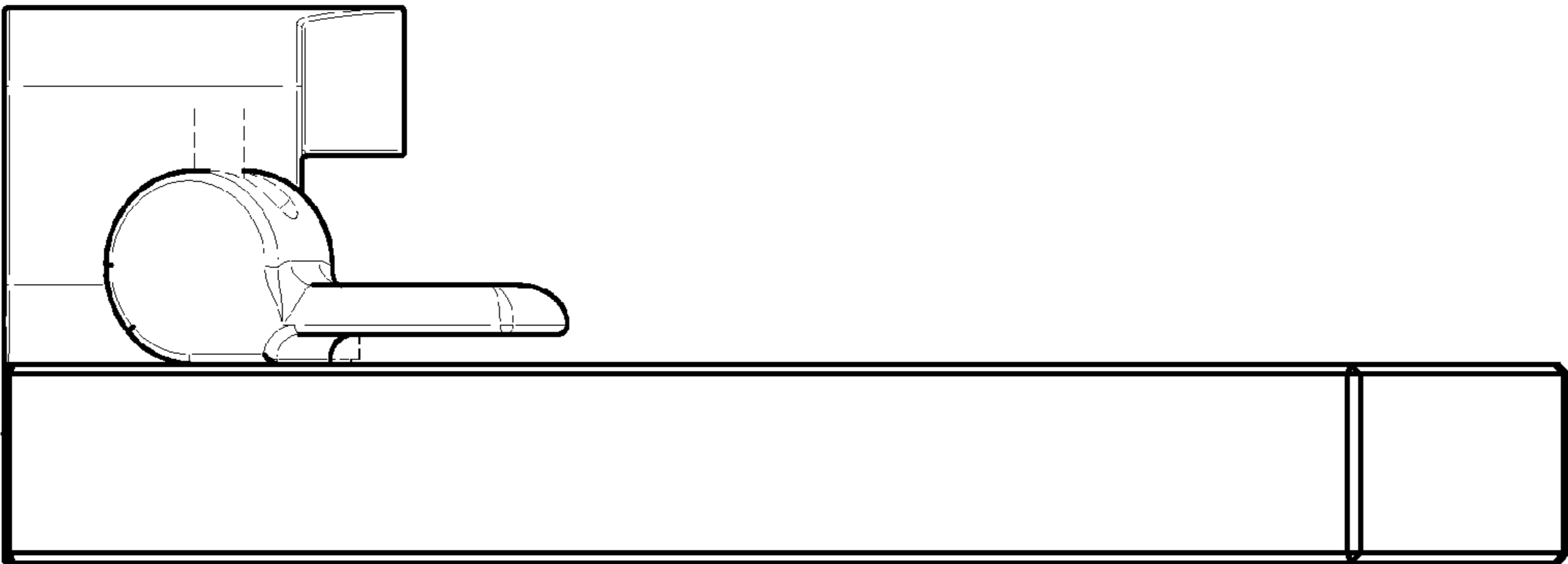
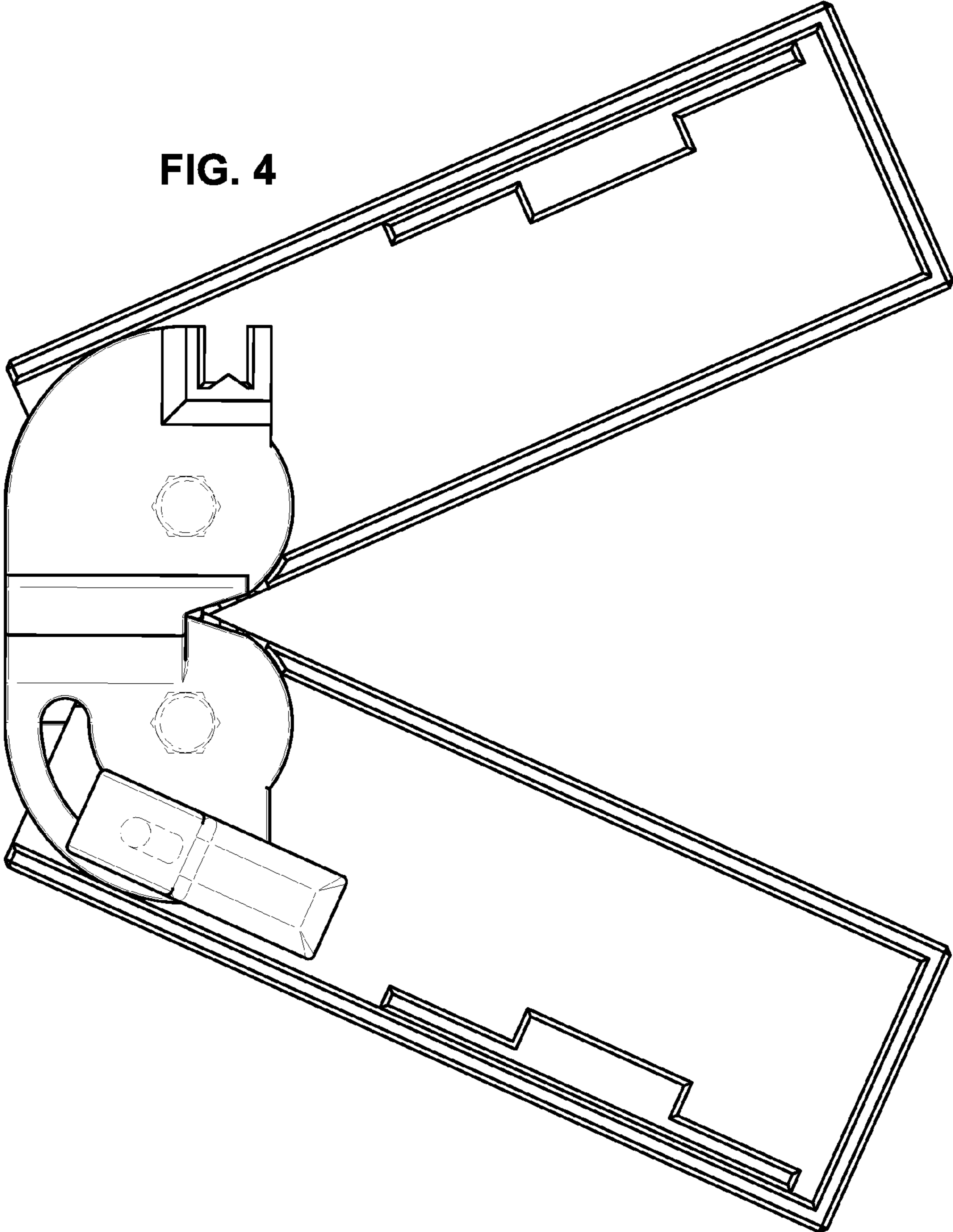


FIG. 5

FIG. 6

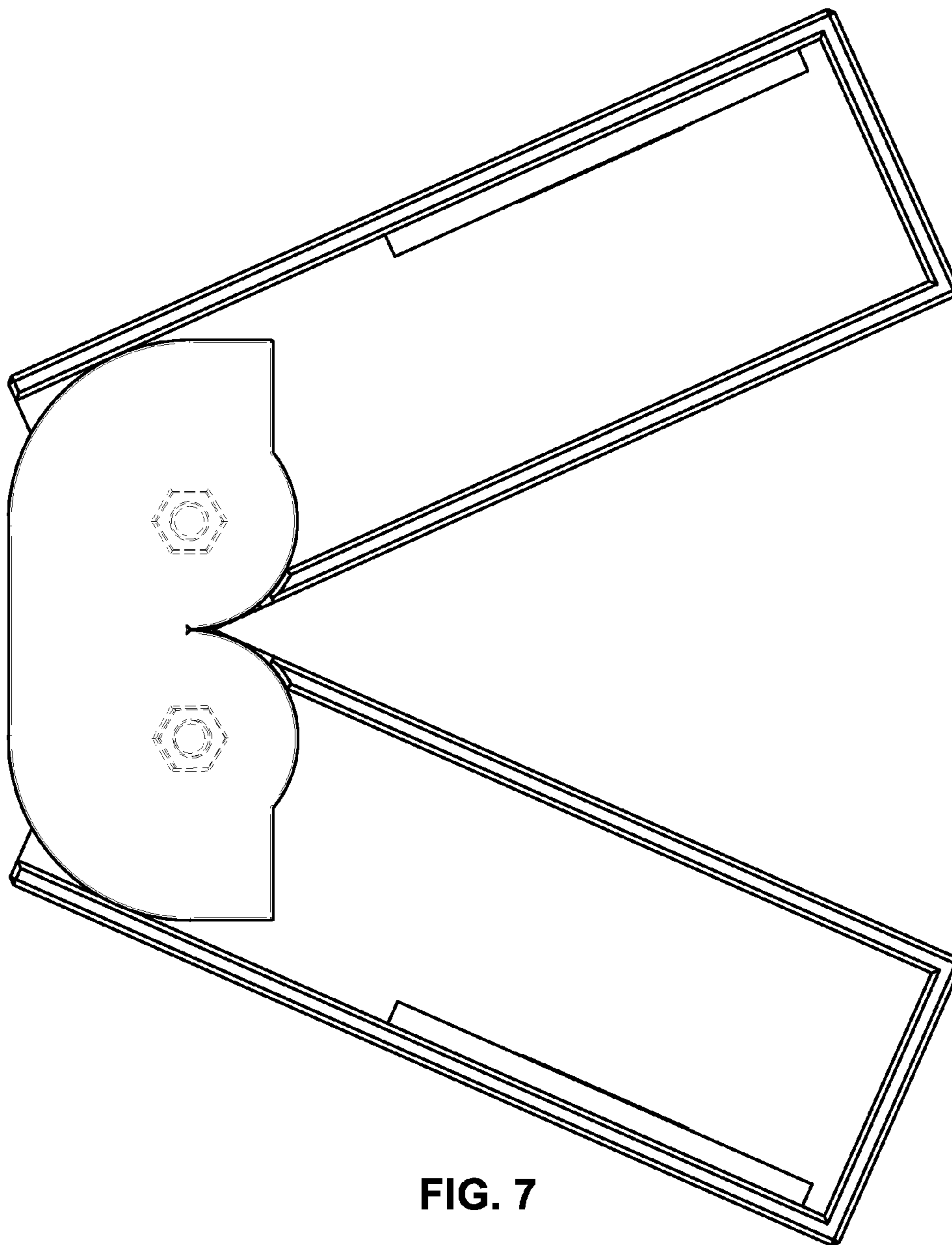
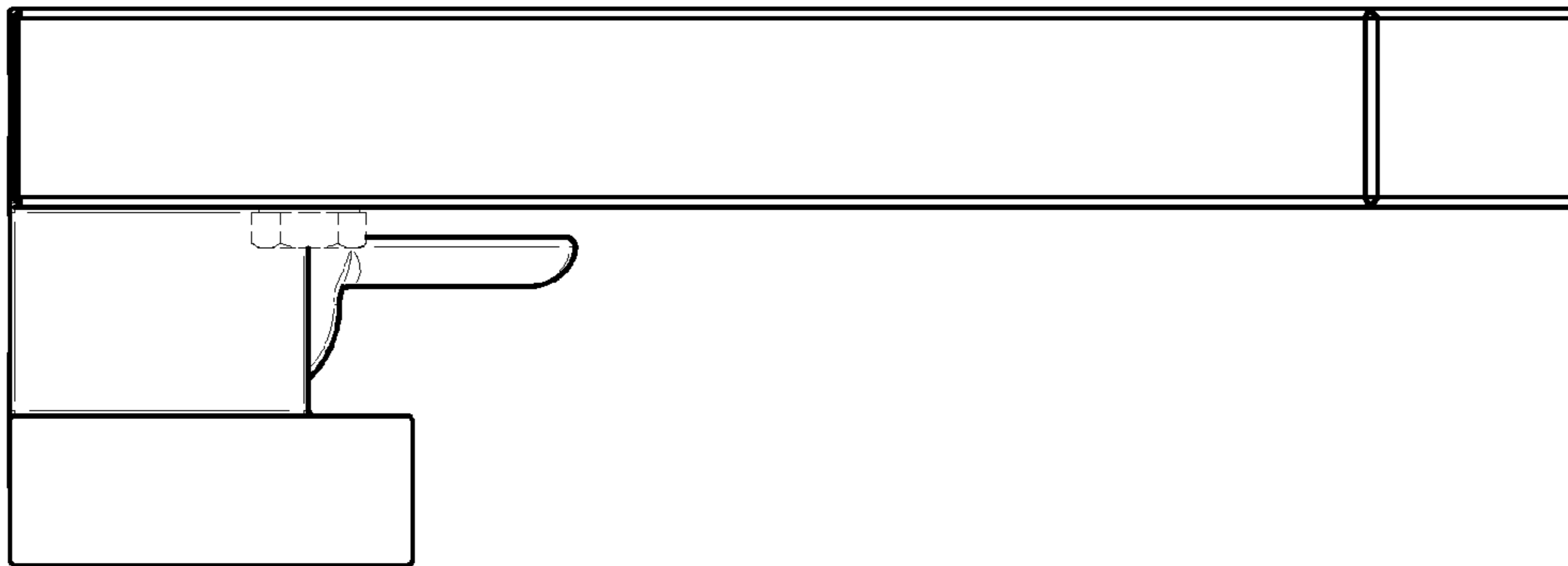


FIG. 7

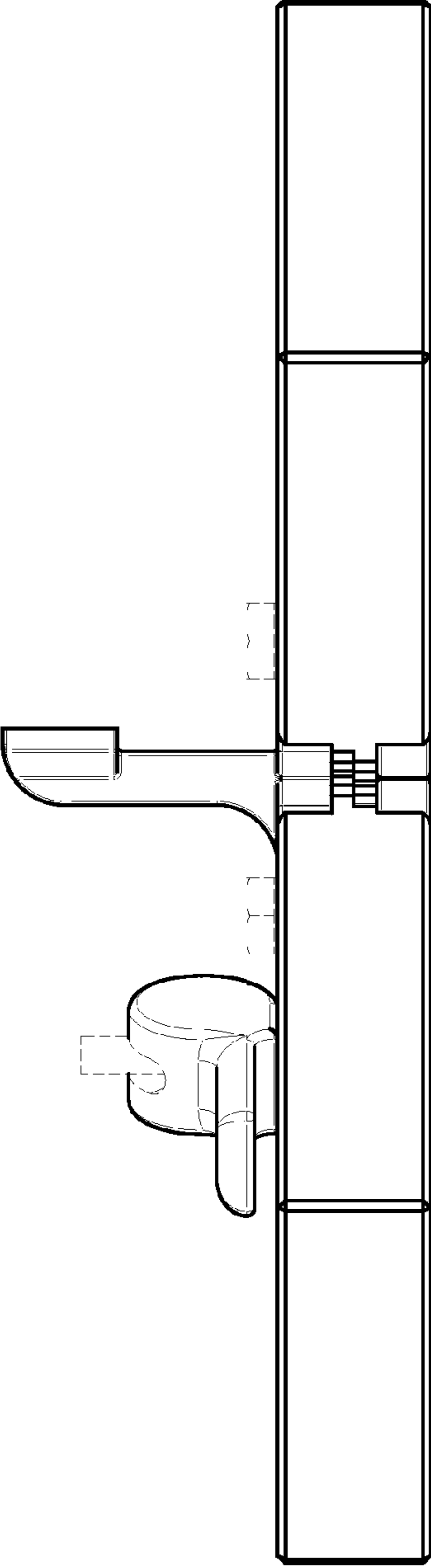


FIG. 8

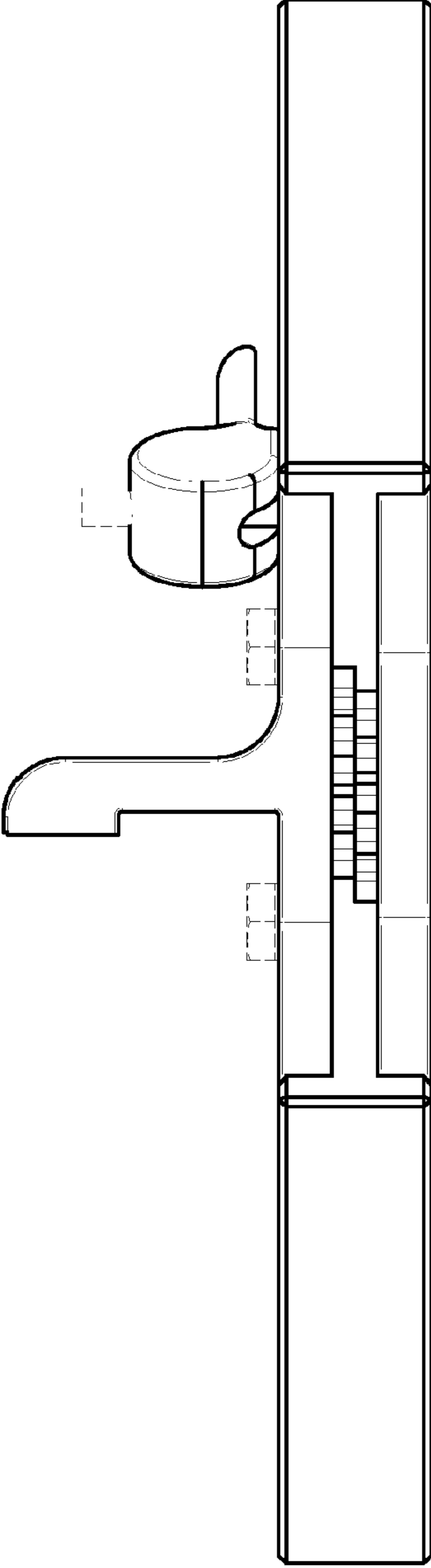


FIG. 9