

US00D699596S

(12) **United States Design Patent**
Hu

(10) **Patent No.:** **US D699,596 S**

(45) **Date of Patent:** **** Feb. 18, 2014**

(54) **ELECTRONIC TIMER**

(75) Inventor: **Bainian Hu**, Ningbo (CN)

(73) Assignee: **Ningbo Bainian Electric Appliance Co., Ltd.**, Ningbo, Zhejiang Province (CN)

(**) Term: **14 Years**

(21) Appl. No.: **29/432,163**

(22) Filed: **Sep. 13, 2012**

(30) **Foreign Application Priority Data**

Apr. 23, 2012 (CN) 2012 3 0124631

(51) **LOC (10) Cl.** **10-03**

(52) **U.S. Cl.**
USPC **D10/40**

(58) **Field of Classification Search**
USPC D10/40, 41, 15; D13/138.1, 137.1,
D13/137.3, 139.8, 139.6, 162, 162.1;
307/141, 141.4; 200/38 R, 33 R, 38 D,
200/38 A, 38 F
See application file for complete search history.

(56) **References Cited**

U.S. PATENT DOCUMENTS

D216,017 S * 11/1969 Podall D10/40
3,548,125 A * 12/1970 Banathy et al. 200/38 D
3,588,391 A * 6/1971 Banathy 200/6 BB
3,728,500 A * 4/1973 Ingram 200/38 FB
D234,215 S * 1/1975 Felske D10/40
3,925,629 A * 12/1975 Albinger, Jr. 200/38 R

D241,524 S * 9/1976 Haggstrom D10/40
D246,159 S * 10/1977 Podall D10/40
4,297,546 A * 10/1981 Koch 200/38 R
D265,553 S * 7/1982 Joss et al. D10/40
D288,177 S * 2/1987 Yang D10/40
D316,524 S * 4/1991 Ericson D10/40
D380,396 S * 7/1997 Svarnias et al. D10/40
5,715,214 A * 2/1998 Svarnias 368/10
D432,030 S * 10/2000 Stekelenburg D10/40
D449,233 S * 10/2001 Stekelenburg D10/40
D466,420 S * 12/2002 Chen D10/40
D569,743 S * 5/2008 Lidong et al. D10/40
D582,795 S * 12/2008 Stekelenburg D10/40
D667,736 S * 9/2012 Stack D10/40

* cited by examiner

Primary Examiner — Lucy Lieberman

(74) *Attorney, Agent, or Firm* — Jacobson Holman PLLC;
Jiwen Chen

(57) **CLAIM**

The ornamental design for an electronic timer, as shown and described.

DESCRIPTION

FIG. 1 is a perspective view of the electronic timer showing the design;

FIG. 2 is a front elevational view thereof;

FIG. 3 is a rear elevational view thereof;

FIG. 4 is a left side elevational view thereof;

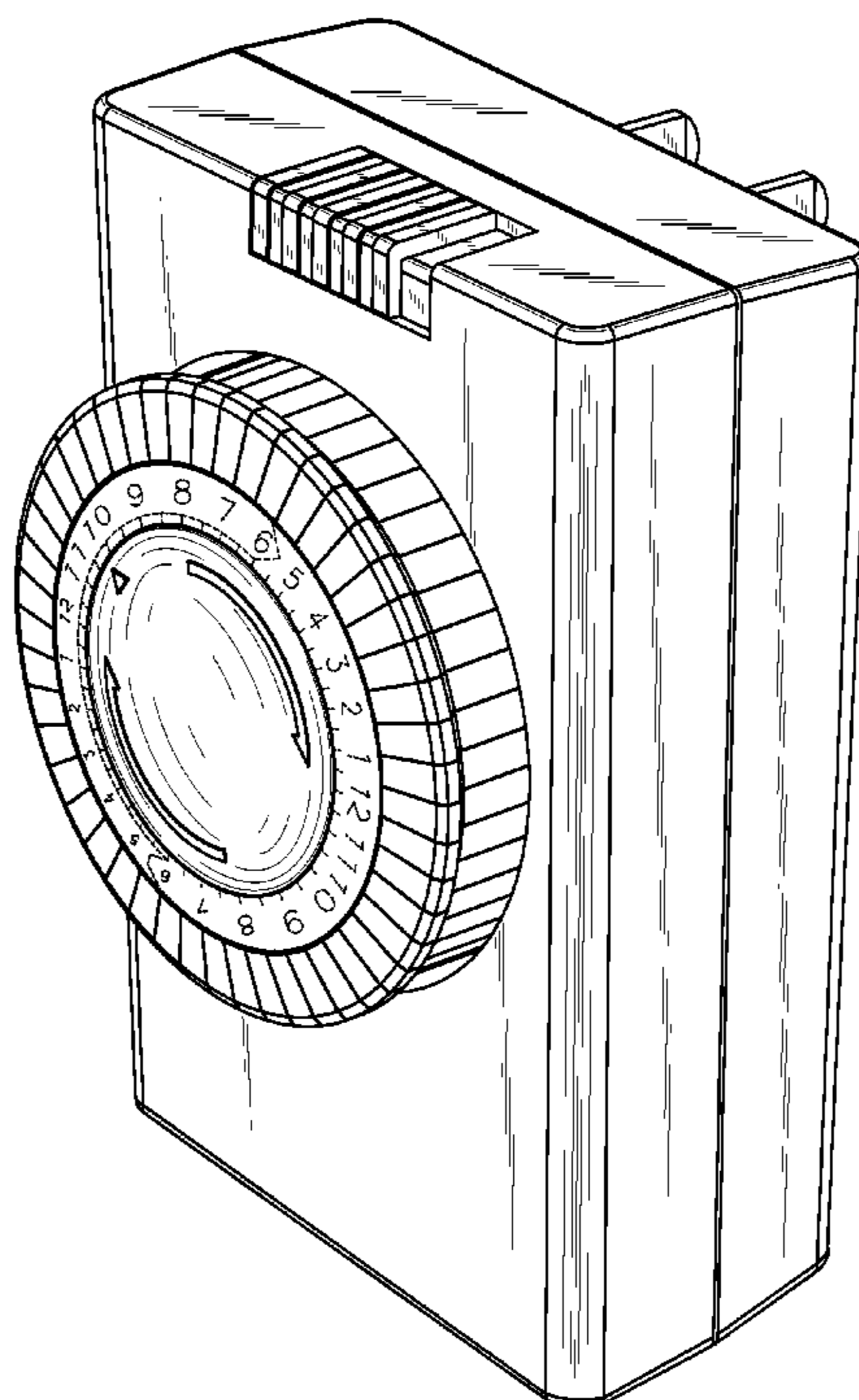
FIG. 5 is a right side elevational view thereof;

FIG. 6 is a top plan view thereof; and,

FIG. 7 is a bottom plan view thereof.

The broken lines form no part of the claimed design.

1 Claim, 7 Drawing Sheets



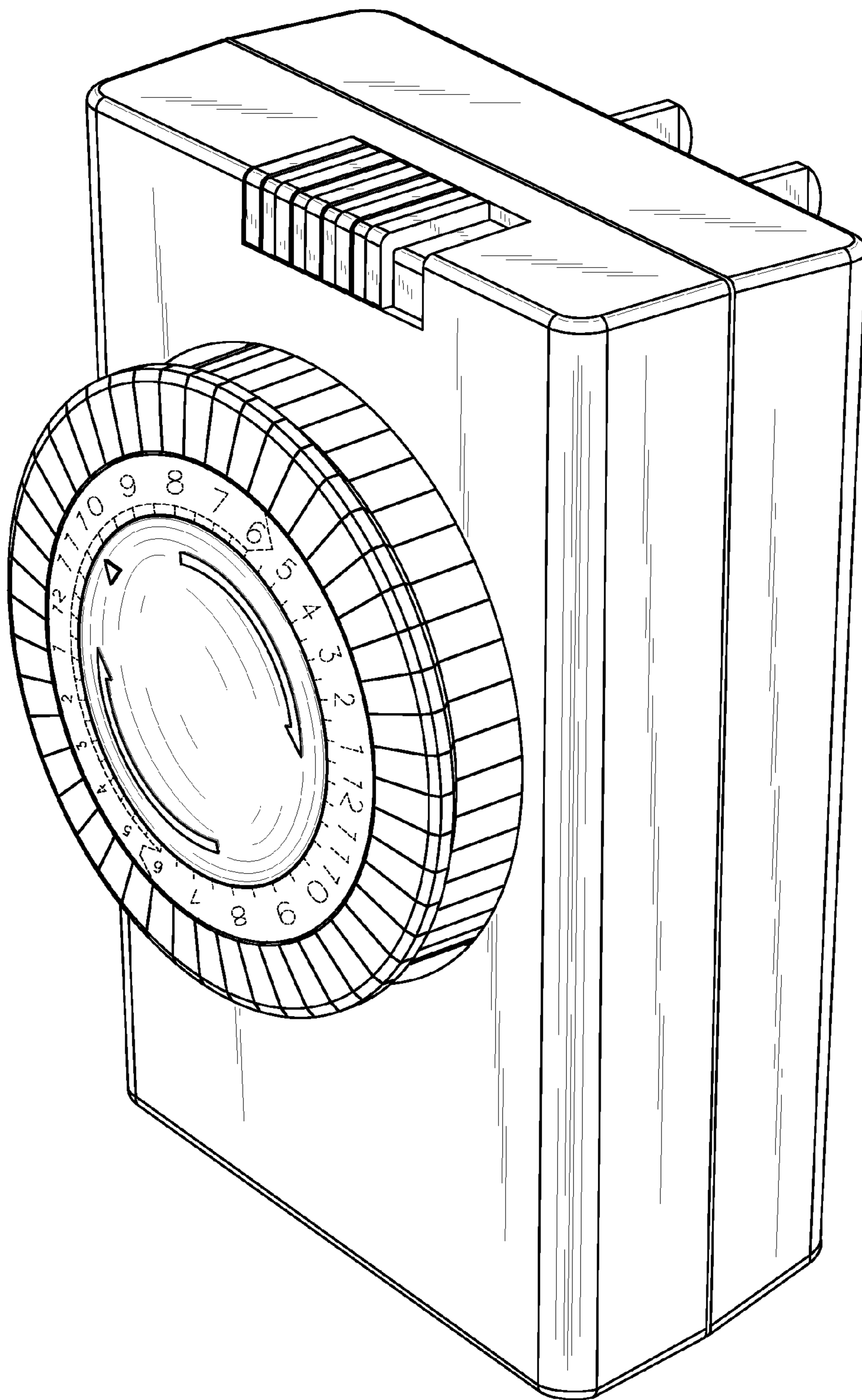


FIG. 1

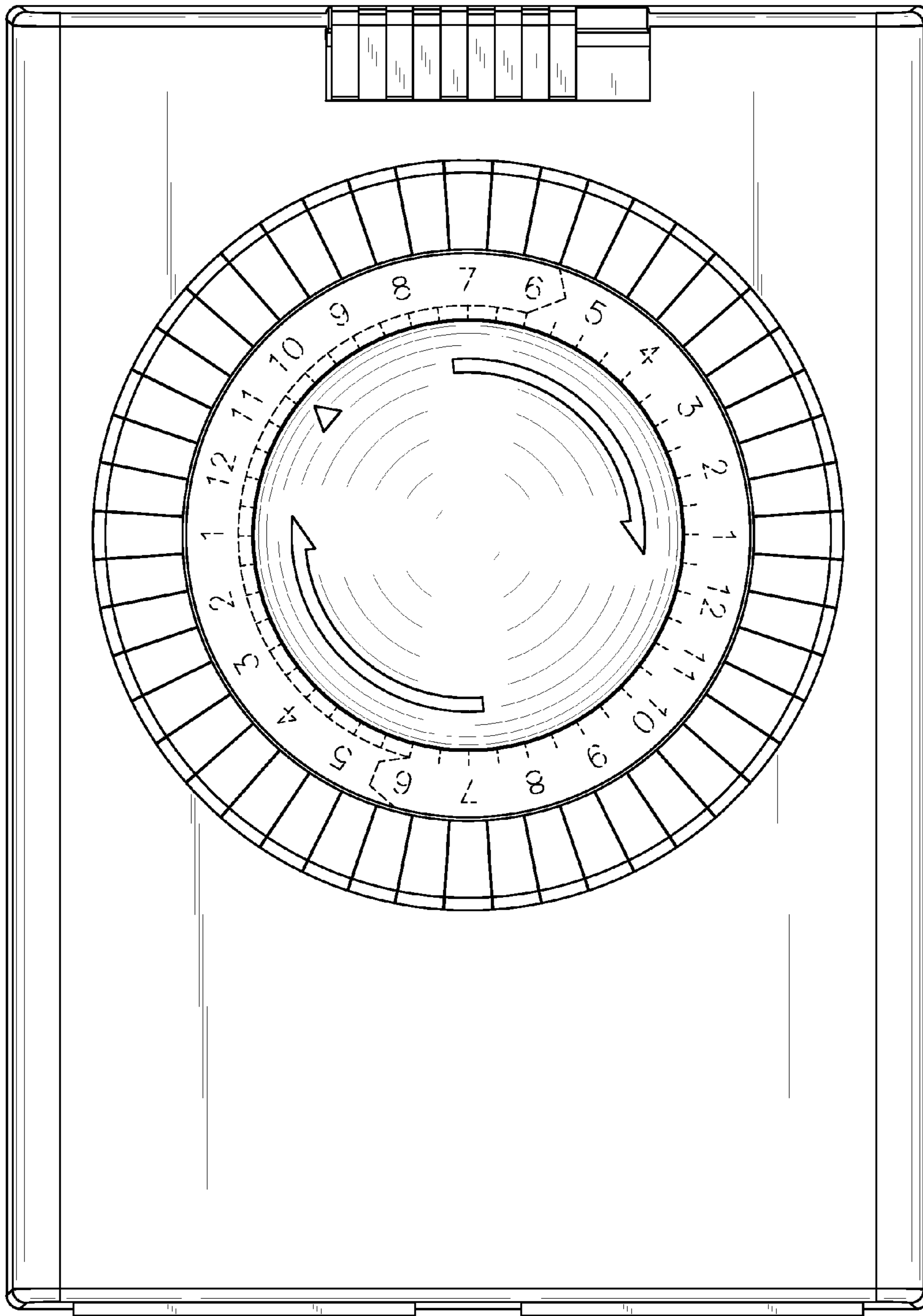


FIG. 2

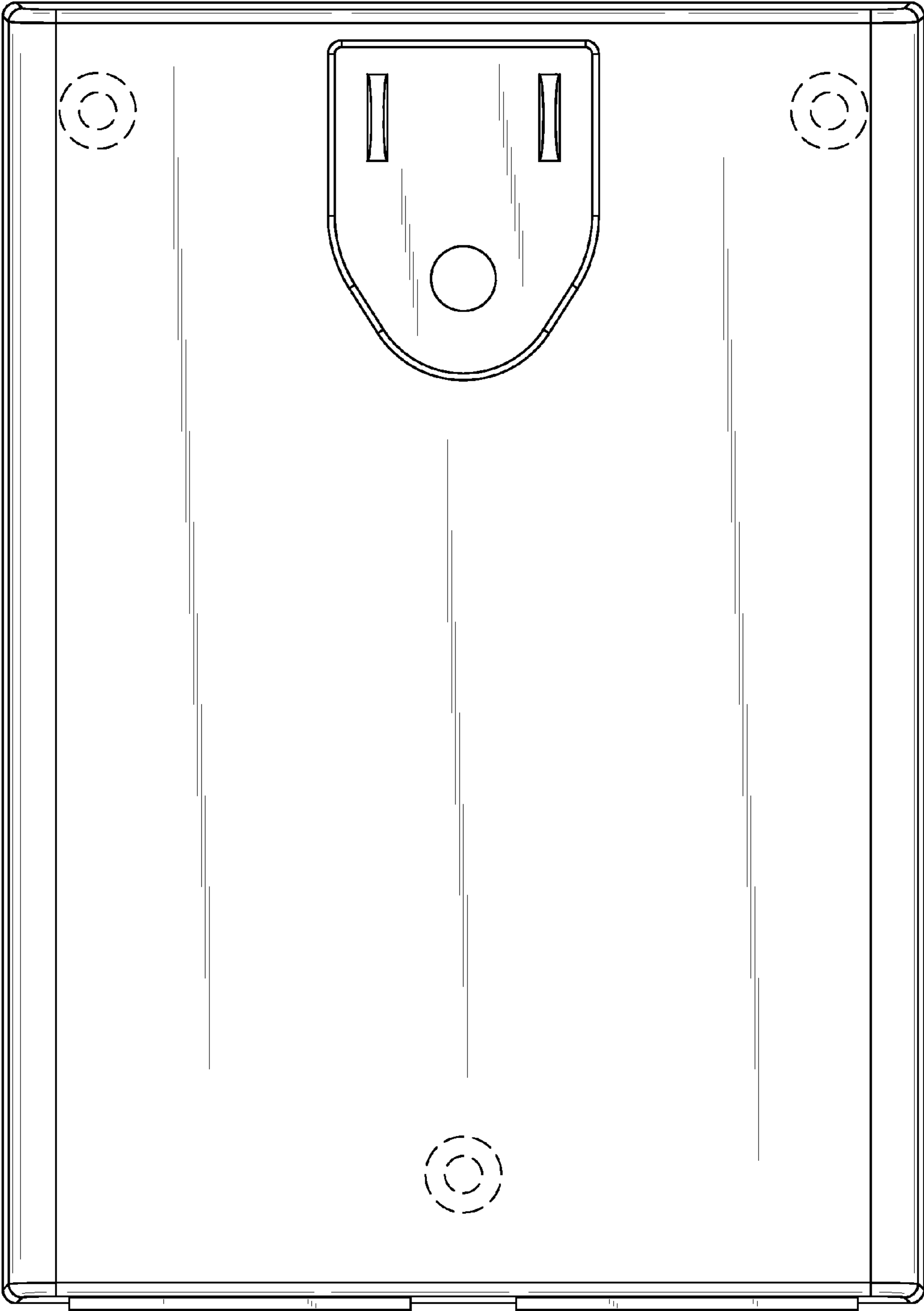


FIG. 3

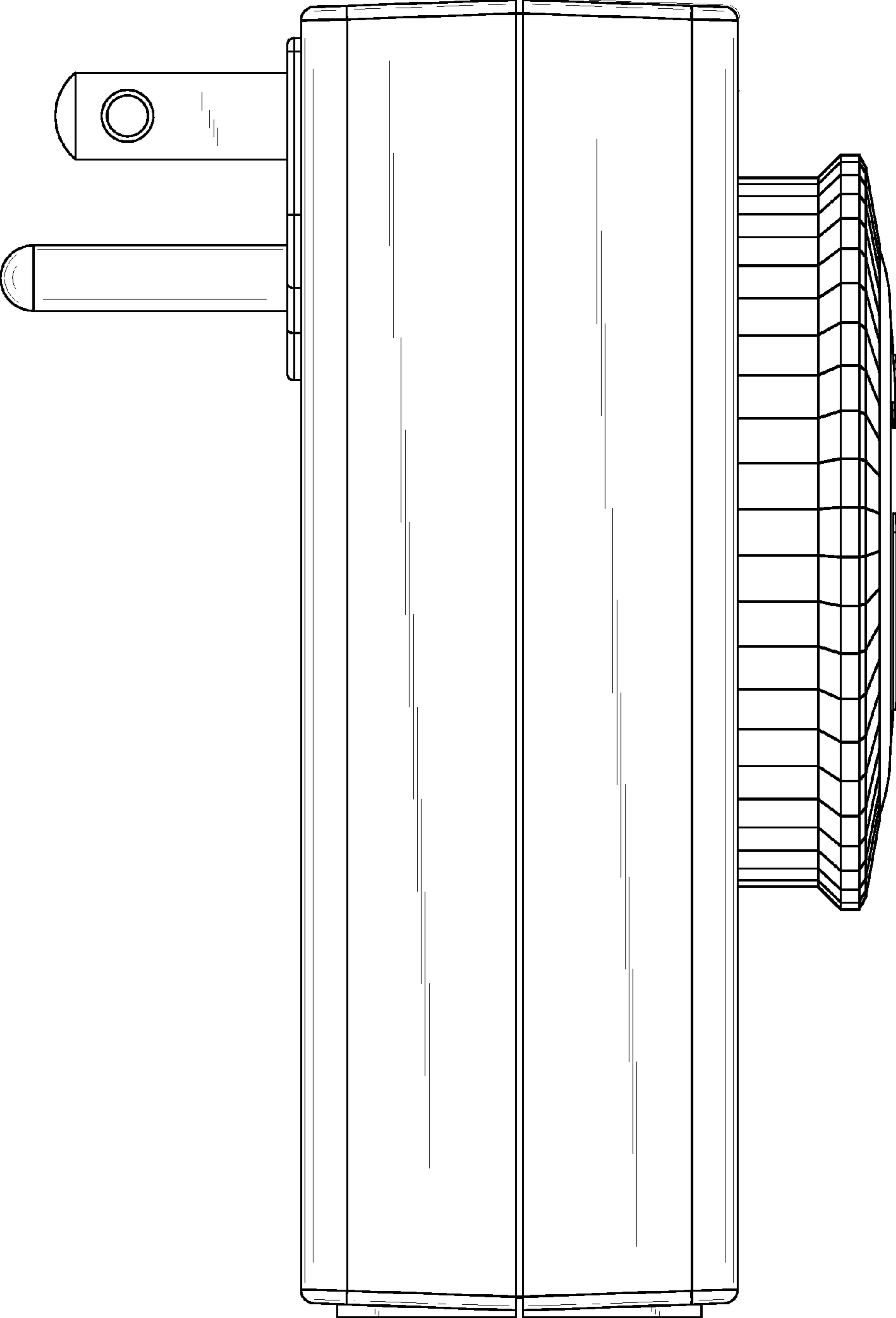


FIG. 4

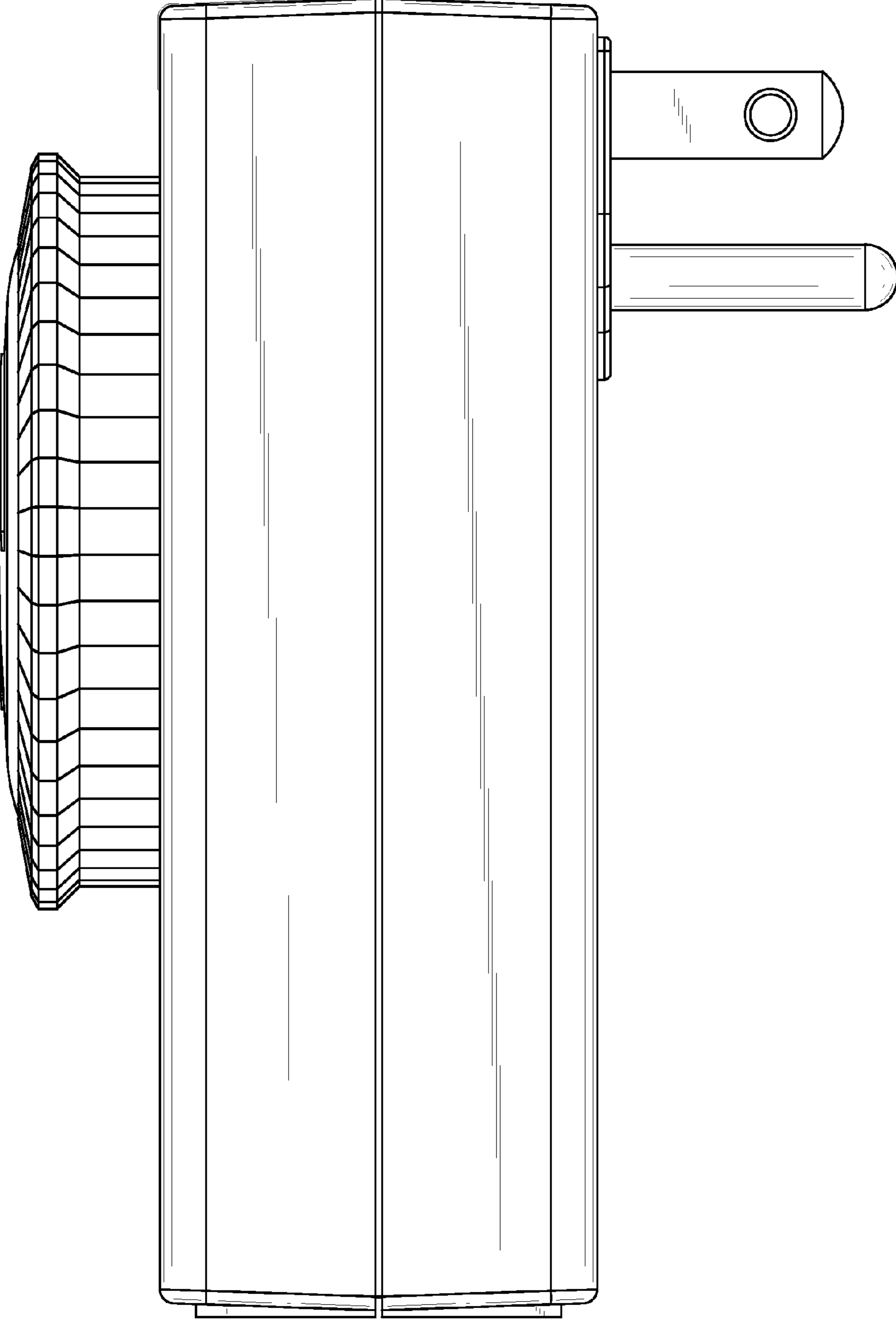


FIG. 5

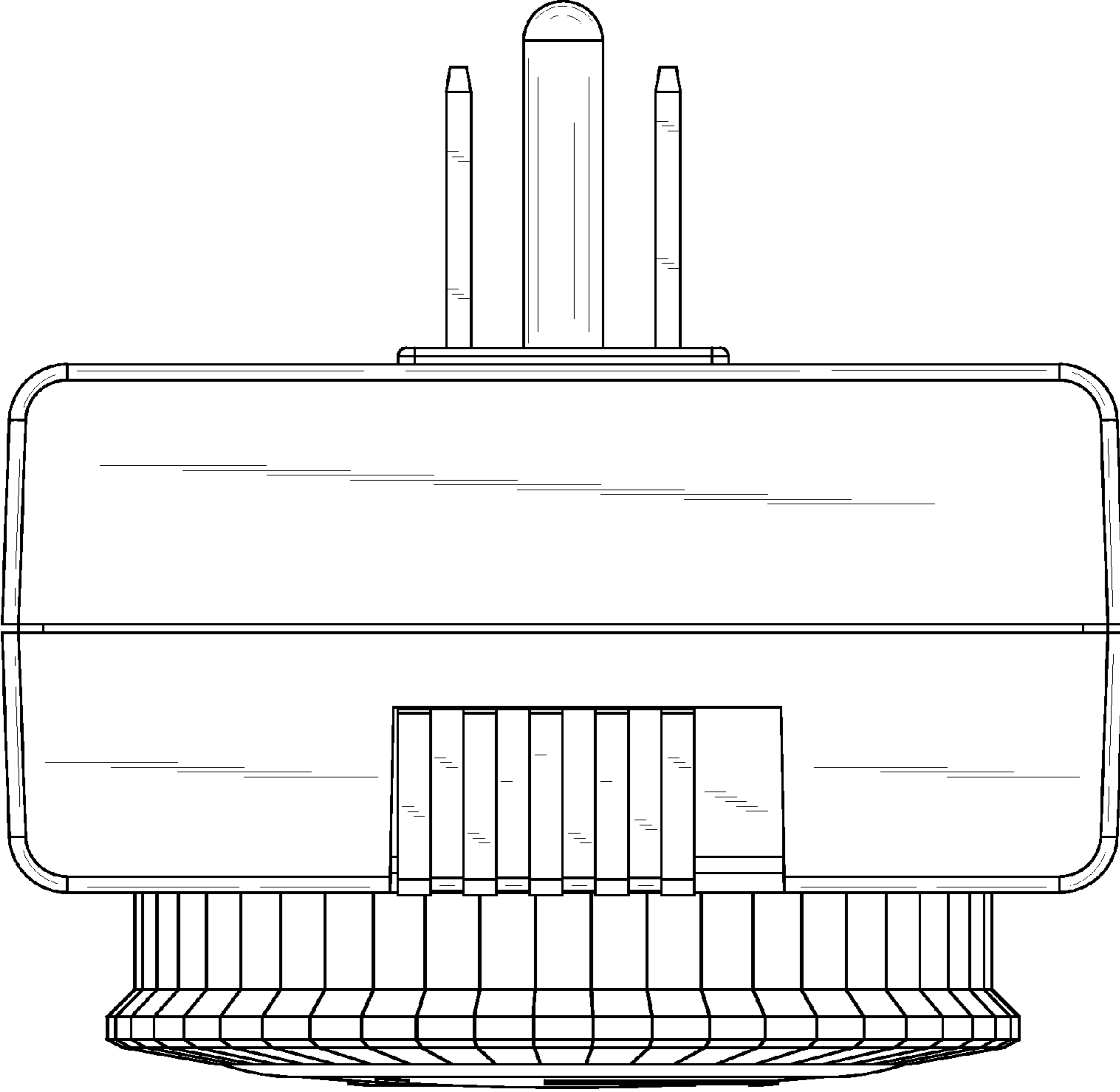


FIG. 6

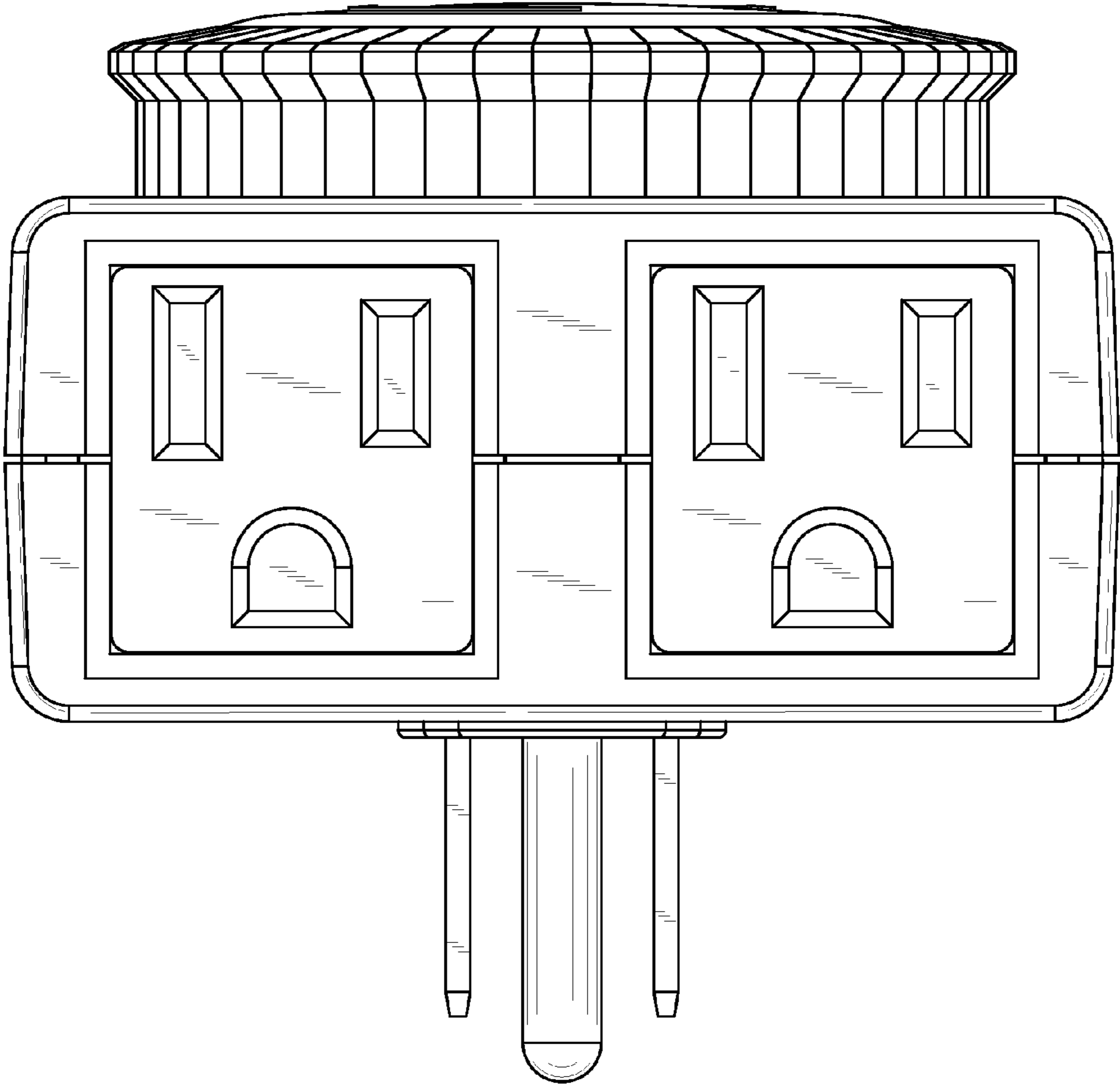


FIG. 7