



US00D699594S

(12) **United States Design Patent**
Bechyne et al.

(10) **Patent No.:** **US D699,594 S**

(45) **Date of Patent:** **** Feb. 18, 2014**

(54) **CONTAINER FOR STORING AND DISPENSING WIPES**

- (71) Applicant: **Kimberly-Clark Worldwide, Inc.**,
Neenah, WI (US)
- (72) Inventors: **Christopher M. Bechyne**, Menasha, WI (US); **Brian J. Brigham**, Kyoto (JP); **Jereme N. Dumm**, River Forest, IL (US); **Scott A. Ternovits**, Chicago, IL (US)
- (73) Assignee: **Kimberly-Clark Worldwide, Inc.**,
Neenah, WI (US)

- (**) Term: **14 Years**
- (21) Appl. No.: **29/446,687**
- (22) Filed: **Feb. 26, 2013**

Related U.S. Application Data

- (63) Continuation of application No. 13/721,633, filed on Dec. 20, 2012.
- (51) **LOC (10) Cl.** **09-01**
- (52) **U.S. Cl.**
USPC **D9/734**
- (58) **Field of Classification Search**
USPC D9/734, 414, 416, 420, 423, 424, 425, D9/428, 432, 494, 501, 503, 529, 537, 564, D9/730; D7/507, 511, 538, 584, 586, 587, D7/589, 591, 597, 601, 602; D3/202; 206/225, 233, 389, 391, 440, 441, 438, 206/486, 489, 494, 499, 581, 804; D6/515-523; 221/26, 33, 45, 63; D28/73, 76, 82, 83; 220/315, 659, 675, 220/662, 660, 700, 729, 744, 916

See application file for complete search history.

(56) **References Cited**

U.S. PATENT DOCUMENTS

1,232,404	A *	7/1917	Stankewitz	220/315
1,809,742	A *	6/1931	McWhorter	206/246
2,532,857	A *	12/1950	Ricciardi	220/662
3,221,873	A	12/1965	Bowes et al.		
3,319,782	A	5/1967	Bowes		
4,458,810	A *	7/1984	Mahoney	206/210
4,863,064	A	9/1989	Dailey, III		
6,000,538	A *	12/1999	Lee	206/233
6,045,002	A *	4/2000	Wierschke	221/48
D460,665	S *	7/2002	Lillelund et al.	D7/629
6,523,690	B1	2/2003	Buck et al.		

(Continued)

FOREIGN PATENT DOCUMENTS

CN	2920832	Y	7/2007
EP	1035026	A1	9/2000

(Continued)

Primary Examiner — Derrick Holland

Assistant Examiner — Lauren Calve

(74) *Attorney, Agent, or Firm* — Kimberly-Clark Worldwide, Inc.

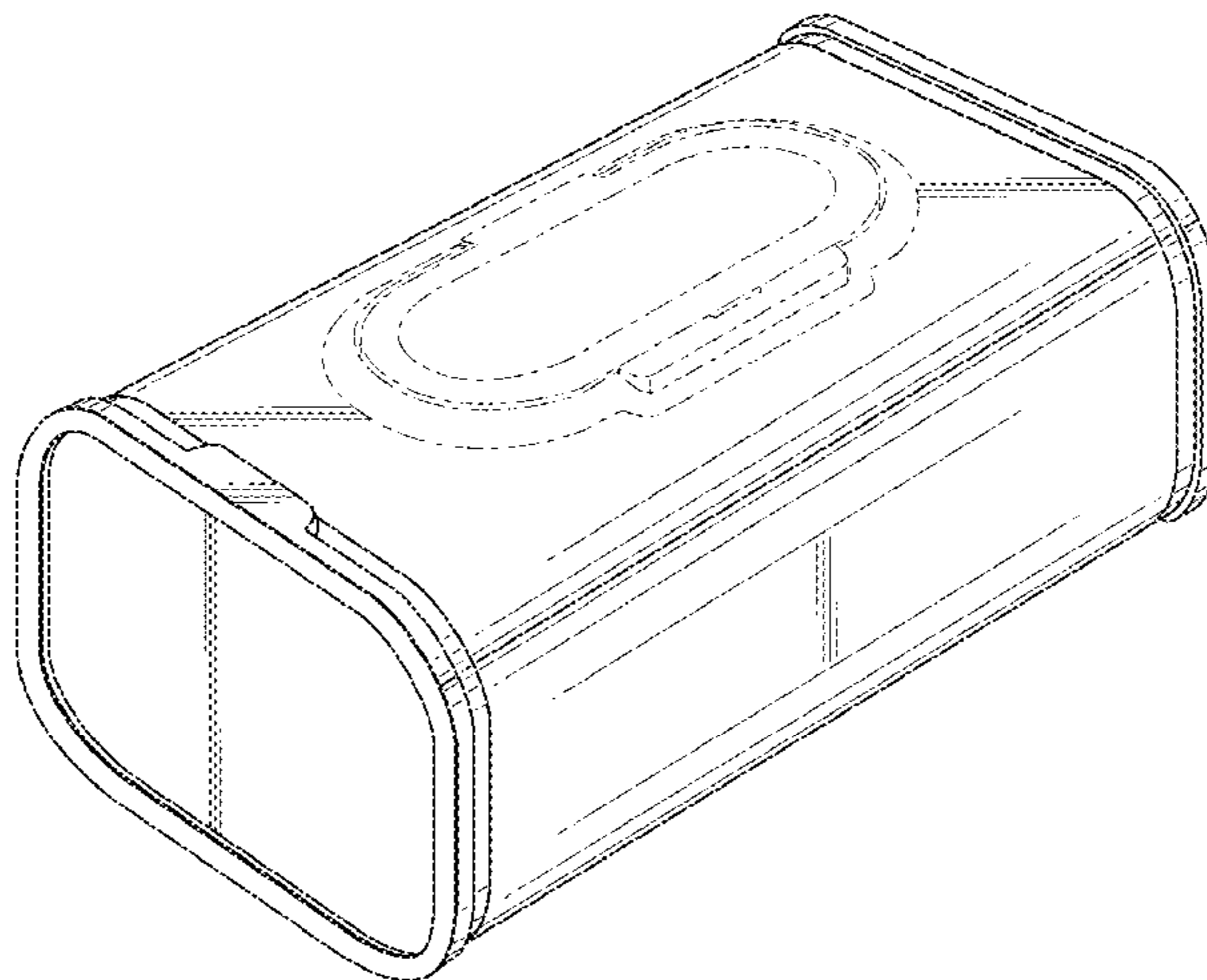
(57) **CLAIM**

We claim the ornamental design for a container for storing and dispensing wipes, as shown and described.

DESCRIPTION

FIG. 1 is a perspective view of a container for storing and dispensing wipes according to the present design; FIG. 2 is a back elevation view thereof; FIG. 3 is a front elevation view thereof; FIG. 4 is an end elevation view thereof; FIG. 5 is a second end elevation view thereof; FIG. 6 is a top plan view thereof; and, FIG. 7 is a bottom plan view thereof. The broken line showing in FIGS. 1-6 represents unclaimed subject matter and forms no part of the claimed design.

1 Claim, 6 Drawing Sheets



(56)

References Cited

U.S. PATENT DOCUMENTS

6,592,004	B2 *	7/2003	Huang et al.	221/63
D546,175	S *	7/2007	Sainz	D9/420
D547,647	S *	7/2007	Kutsch et al.	D9/420
D564,812	S *	3/2008	Tomic et al.	D6/518
7,621,401	B2	11/2009	Alegre	
D608,660	S *	1/2010	Mau	D9/734
7,934,597	B2 *	5/2011	Zwick et al.	206/233
D684,364	S *	6/2013	Leblanc	D3/289
2002/0179625	A1	12/2002	Huang et al.	
2003/0006253	A1	1/2003	Yelton et al.	
2004/0118862	A1	6/2004	Amundson	
2005/0173442	A1 *	8/2005	Gilliam et al.	220/675
2005/0205594	A1	9/2005	Evans et al.	
2006/0151518	A1	7/2006	Sarbo et al.	

2008/0142536	A1	6/2008	Cohen et al.	
2009/0194553	A1	8/2009	Hoefing et al.	
2011/0101004	A1 *	5/2011	Spirk et al.	220/660
2011/0240514	A1 *	10/2011	Bandoh et al.	206/555
2012/0111751	A1 *	5/2012	Kryshak et al.	206/389
2012/0160864	A1	6/2012	Shoaf et al.	

FOREIGN PATENT DOCUMENTS

FR	2442776	A1	6/1980
GB	1281920	A	7/1972
GB	2284801	A	6/1995
JP	2002-053126	A	2/2002
JP	2008-307779	A	12/2008
TW	M367906	U	11/2009
WO	WO 03/017237	A1	2/2003

* cited by examiner

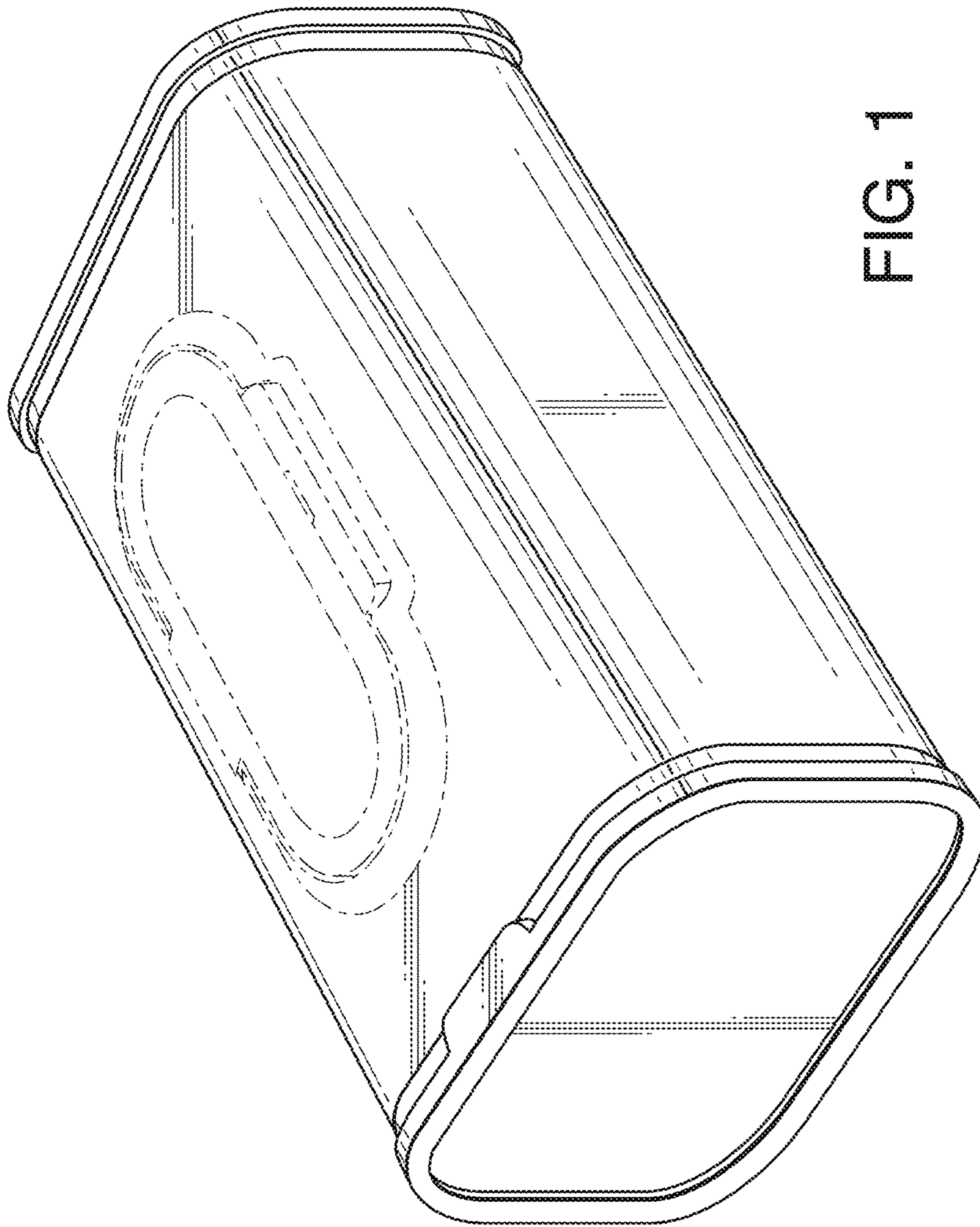


FIG. 1

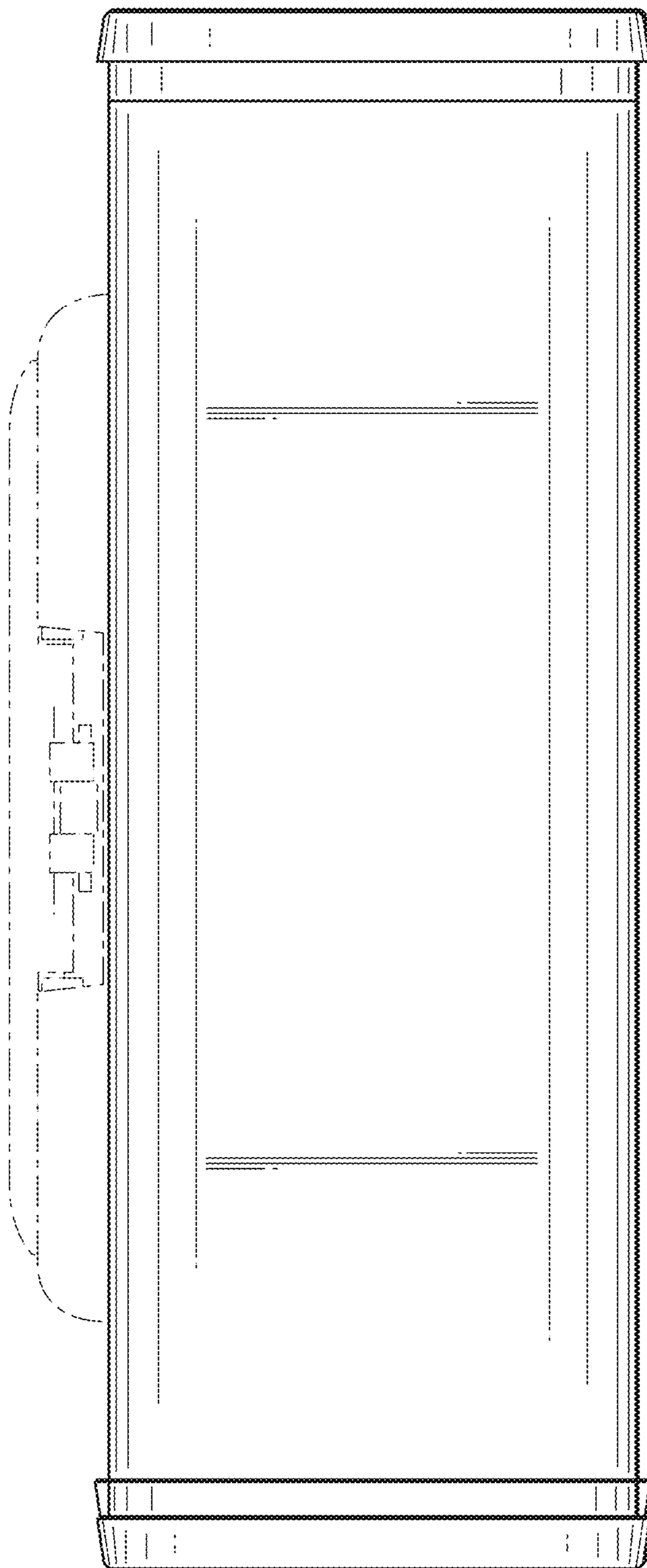


FIG. 2

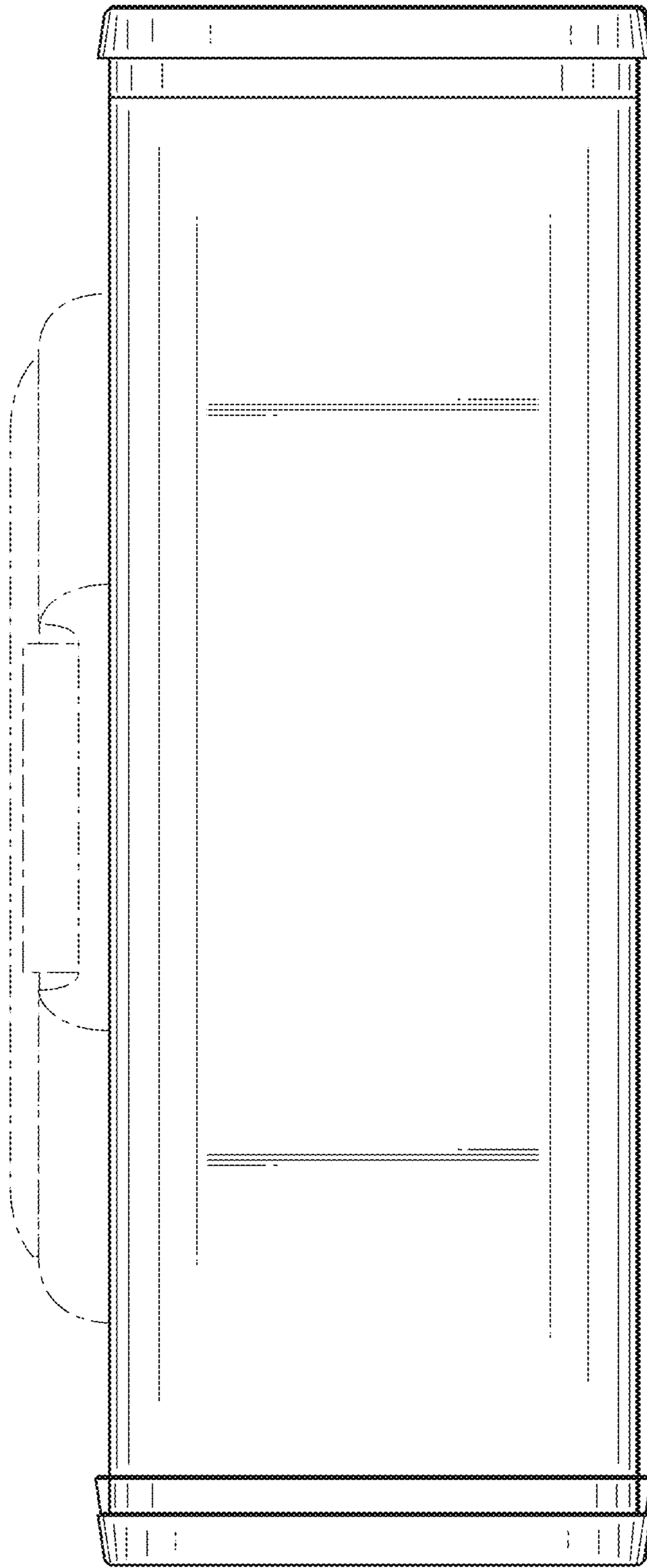


FIG. 3

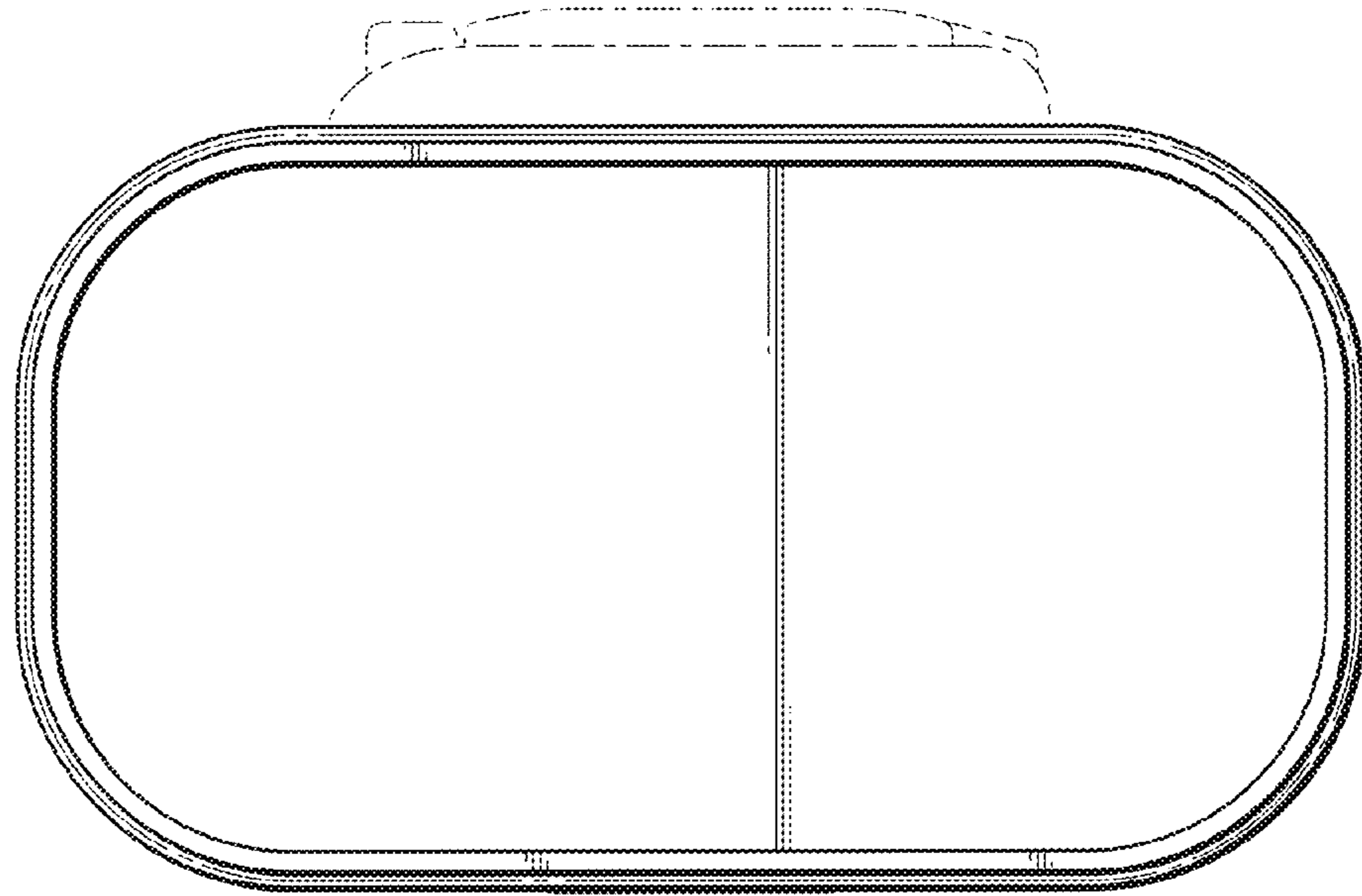


FIG. 4

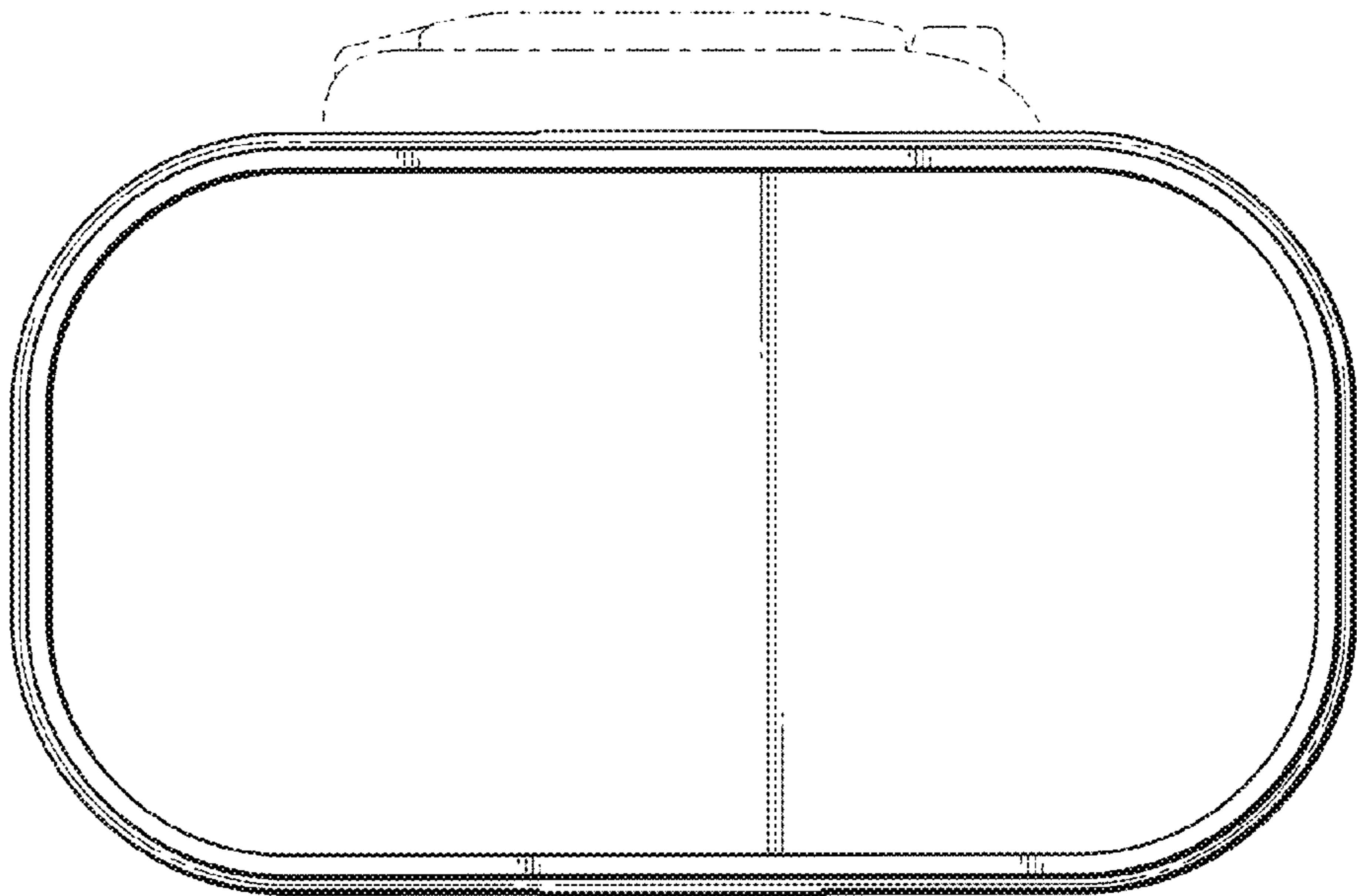


FIG. 5

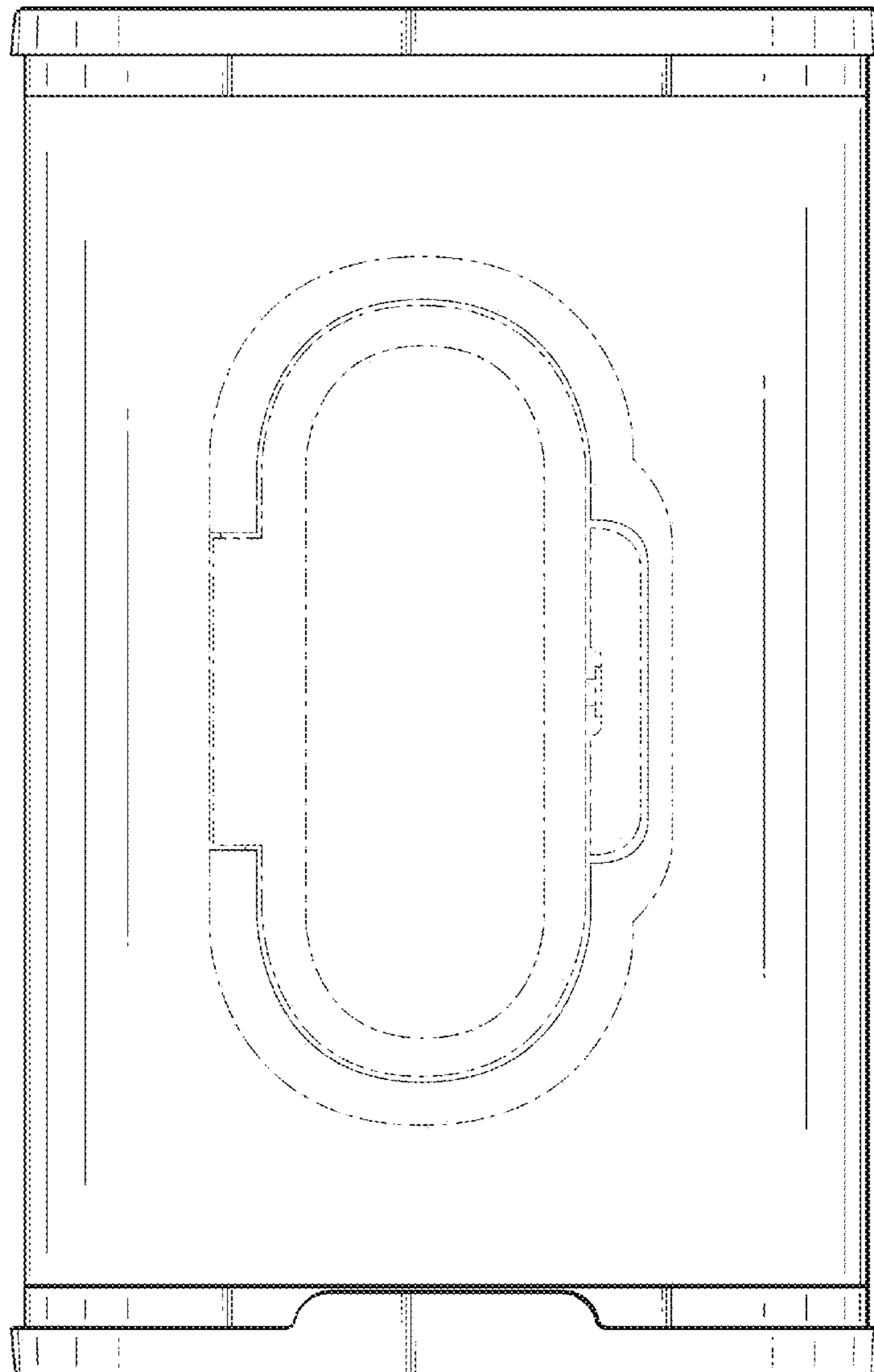


FIG. 6

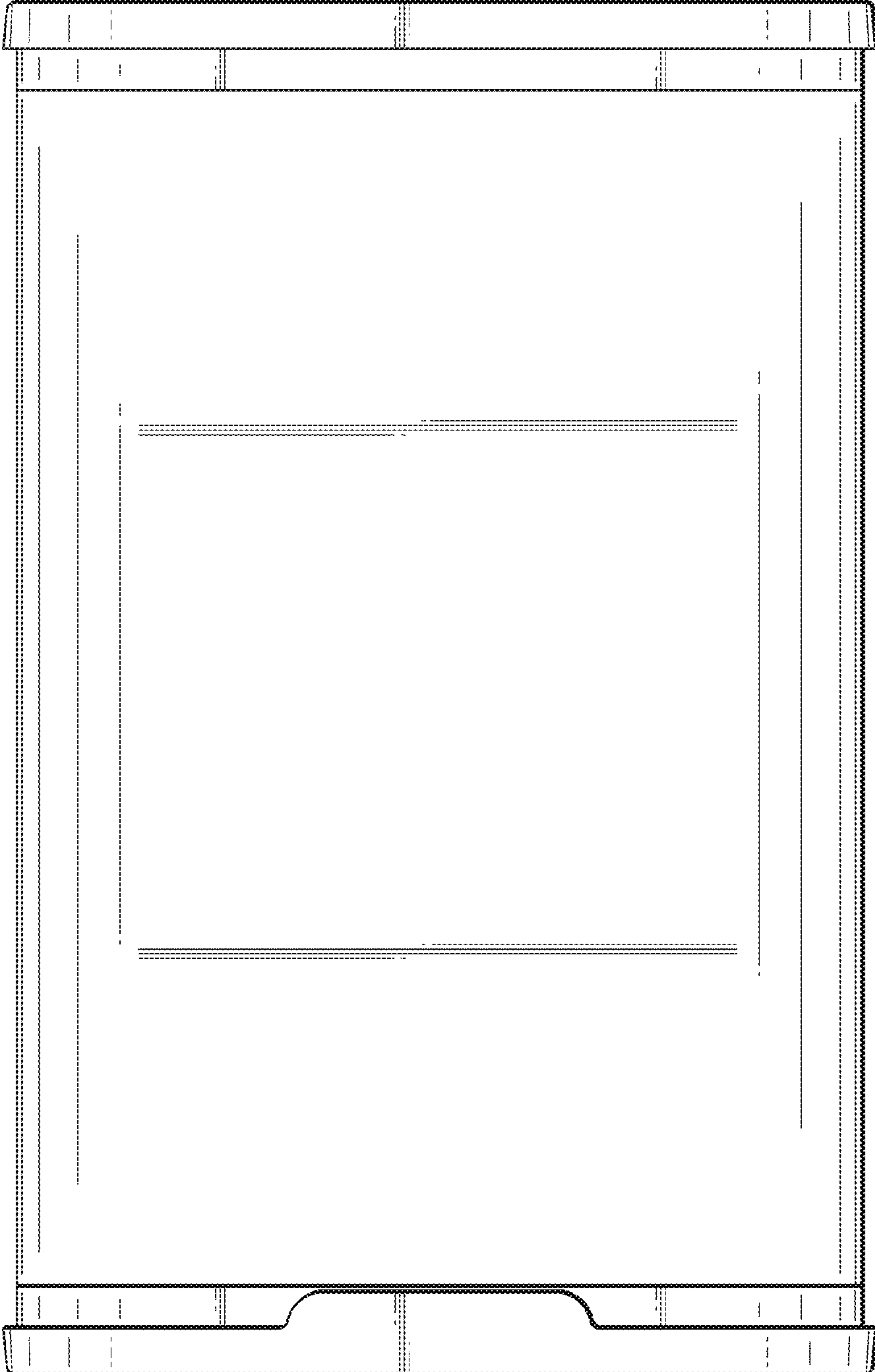


FIG. 7