

US00D699592S

(12) **United States Design Patent**
Lee

(10) **Patent No.:** **US D699,592 S**
(45) **Date of Patent:** **** Feb. 18, 2014**

(54) **DISPENSING CONTAINER**
(75) Inventor: **Joon-Youb Lee**, Seoul (KR)
(73) Assignee: **Taejoon Pharm. Co., Ltd.**, Seoul (KR)
(**) Term: **14 Years**
(21) Appl. No.: **29/415,975**
(22) Filed: **Mar. 16, 2012**

(30) **Foreign Application Priority Data**
Oct. 11, 2011 (KR) 30-2011-0042090
(51) **LOC (10) Cl.** **09-01**
(52) **U.S. Cl.**
USPC **D9/723**
(58) **Field of Classification Search**
USPC D9/434, 435, 447, 449, 450, 503, 504,
D9/505, 549, 556, 558, 564, 732; 215/43,
215/235, 236, 241, 383, 384, 385; 220/669,
220/676, 682; 222/519, 550, 562
See application file for complete search history.

(56) **References Cited**
U.S. PATENT DOCUMENTS
D155,963 S * 11/1949 Alvarez D7/619.1
2,588,275 A * 3/1952 Nadal 215/306
D214,146 S * 5/1969 Ritsi D24/197
5,358,132 A * 10/1994 Bennett 220/253
D447,690 S * 9/2001 Lichtman et al. D9/434

D482,616 S * 11/2003 Faubion D9/448
6,722,527 B1 * 4/2004 Krauss 222/1
D506,677 S * 6/2005 Bretz et al. D9/558
D548,075 S * 8/2007 Mavin et al. D9/435
7,641,835 B2 * 1/2010 Ramsey et al. 264/260
D657,679 S * 4/2012 Boiros et al. D9/516

* cited by examiner

Primary Examiner — Derrick Holland
Assistant Examiner — Lauren Calve
(74) *Attorney, Agent, or Firm* — Lexyoume IP Meister, PLLC.

(57) **CLAIM**
The ornamental design for a dispensing container, as shown and described.

DESCRIPTION

FIG. 1 is a perspective view of a dispensing container showing my new design;
FIG. 2 is a front elevational view thereof;
FIG. 3 is a rear elevational view thereof;
FIG. 4 is a left side elevational view thereof;
FIG. 5 is a right side elevational view thereof;
FIG. 6 is a top plan view thereof;
FIG. 7 is a bottom plan view thereof;
FIG. 8 is a second perspective view of the dispensing container, shown in a closed position; and,
FIG. 9 is a left side elevational view of the dispensing container of FIG. 8.
The broken lines shown in FIGS. 1-9 represent unclaimed subject matter and form no part of the claimed design.

1 Claim, 9 Drawing Sheets

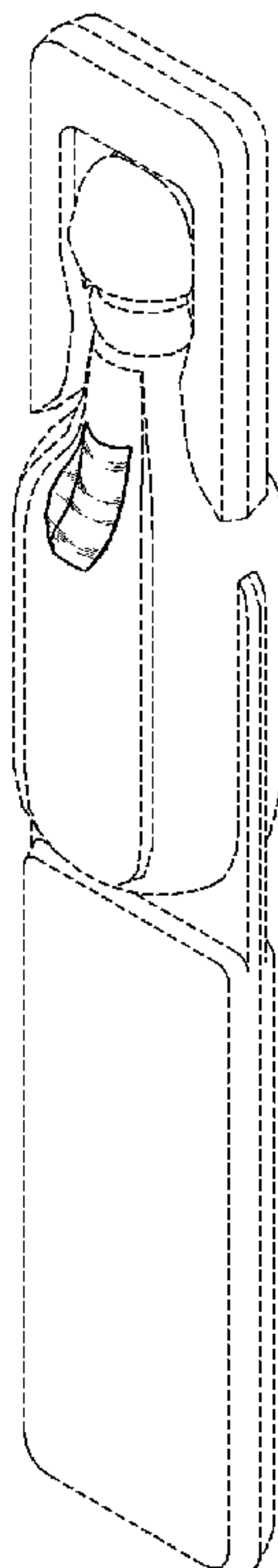


FIG.1

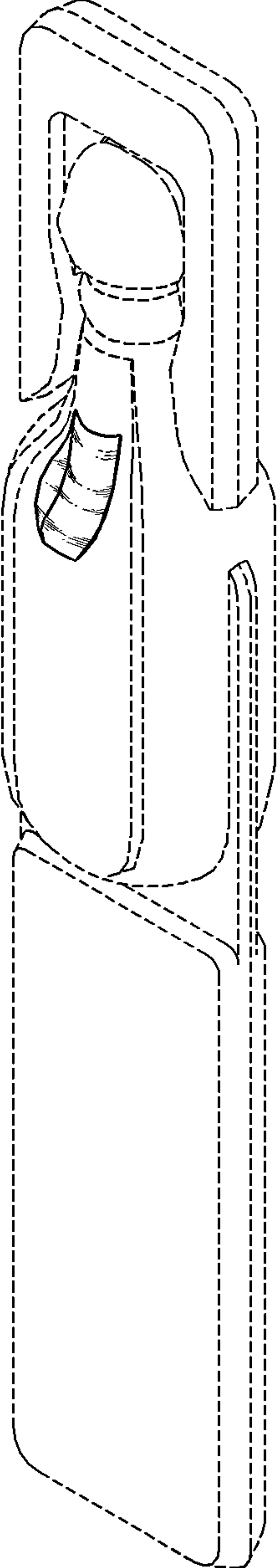


FIG.2

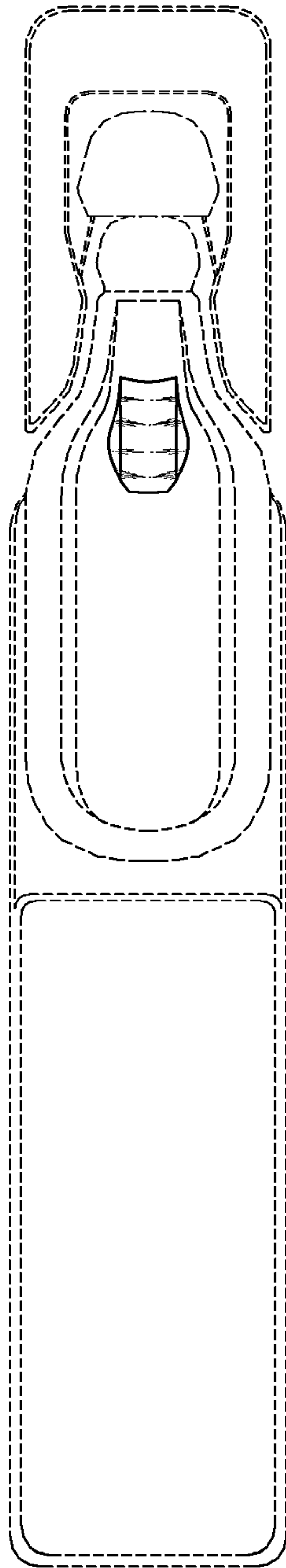


FIG.3

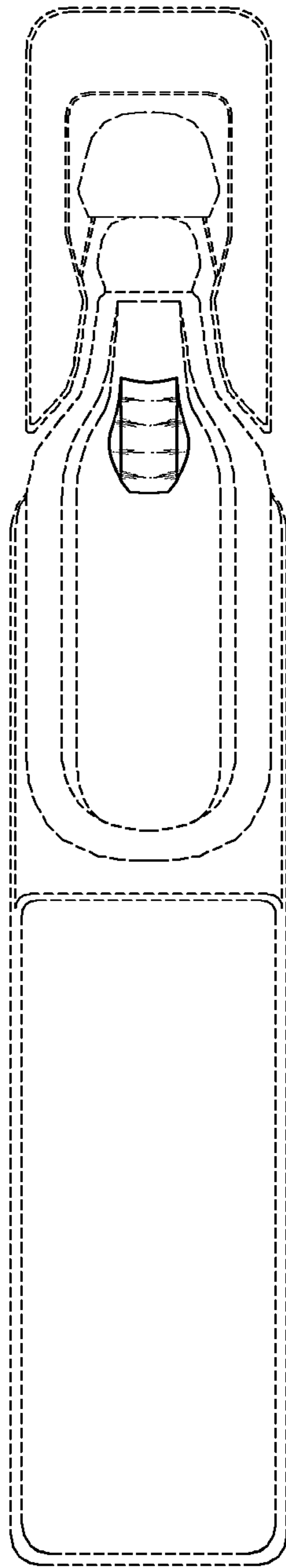


FIG.4

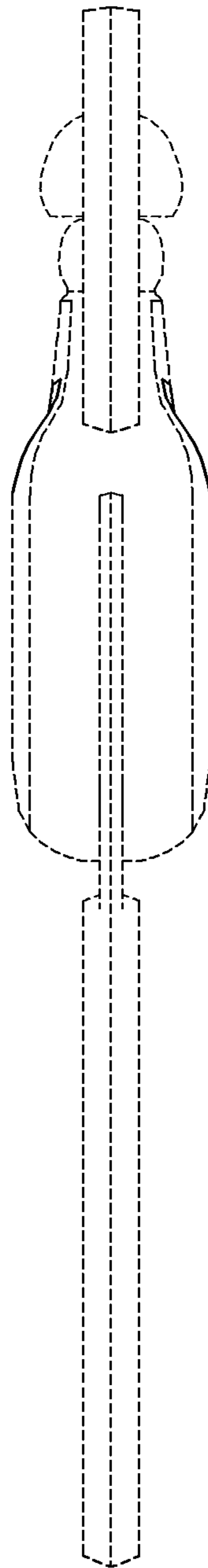


FIG.5

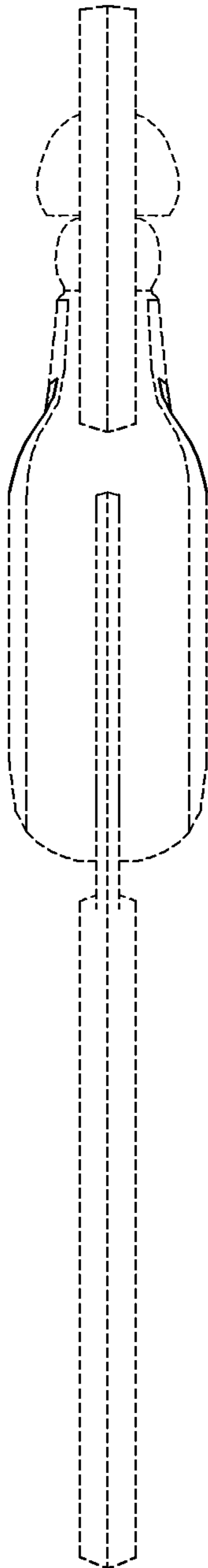


FIG.6

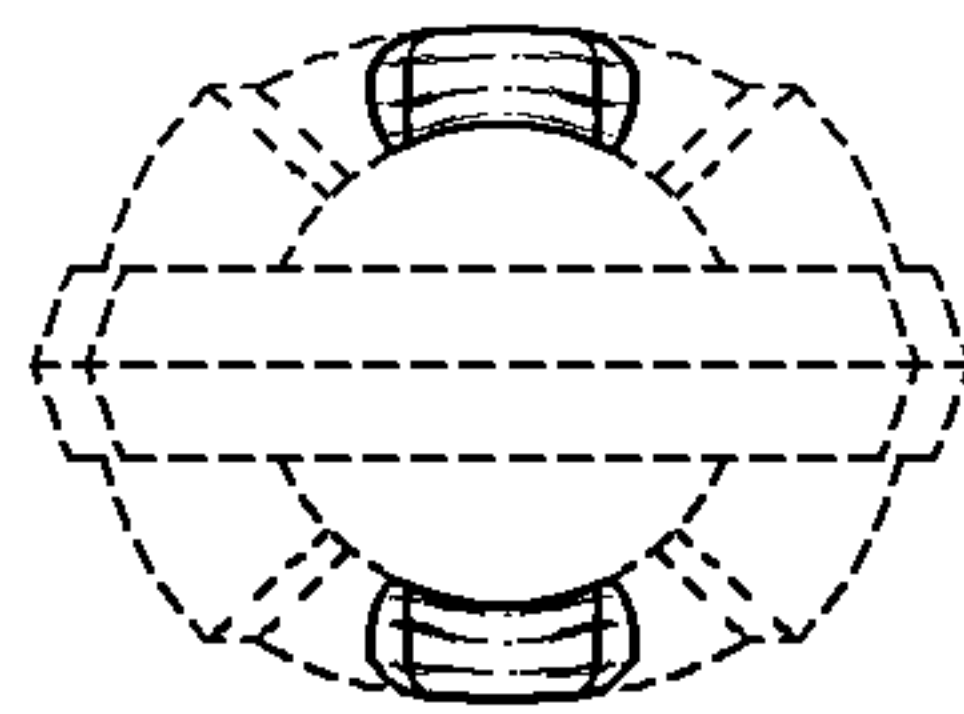


FIG.7

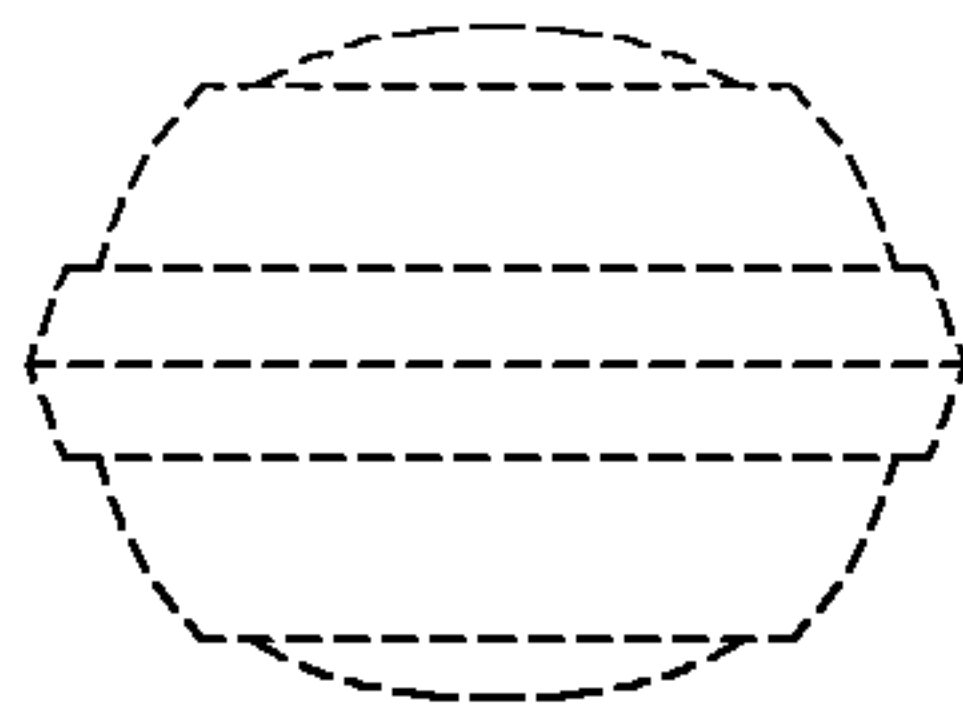


FIG.8

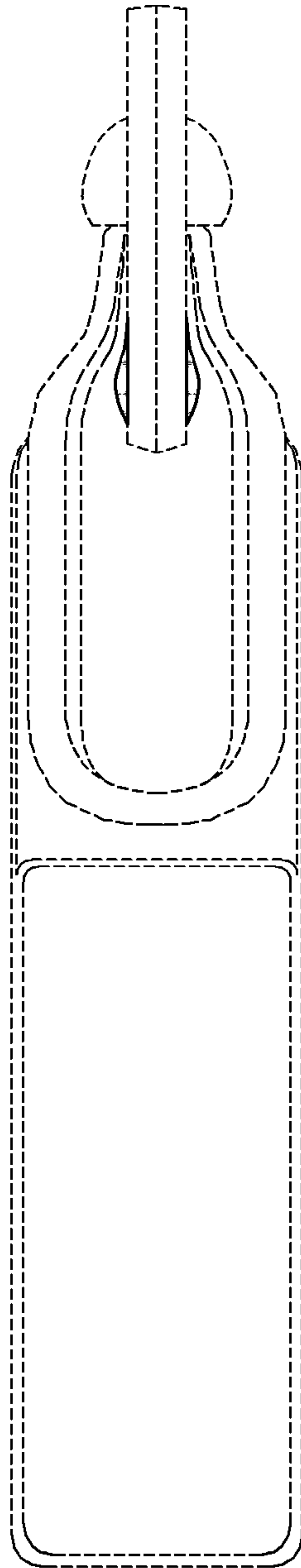


FIG.9

