



US00D699587S

(12) **United States Design Patent**
Pilon et al.

(10) **Patent No.:** **US D699,587 S**

(45) **Date of Patent:** **** Feb. 18, 2014**

(54) **HINGED CAP SHOULDER TUBE—NO VALVE**

(71) Applicant: **Monfitello Inc.**, Lachine (CA)

(72) Inventors: **Betty Pilon**, Vankleek Hill (CA); **Peter Stathopoulos**, Roxboro (CA); **Ruben Figueroa**, Saint-Laurent (CA)

(73) Assignee: **Monfitello Inc.**, Lachine, Quebec (CA)

(**) Term: **14 Years**

(21) Appl. No.: **29/455,530**

(22) Filed: **May 21, 2013**

(30) **Foreign Application Priority Data**

Nov. 27, 2012 (CA) 148788

(51) **LOC (10) Cl.** **09-03**

(52) **U.S. Cl.**
USPC **D9/697**

(58) **Field of Classification Search**

USPC D9/695–699, 702–703, 705, 707–708,
D9/711–712, 521–522, 516, 541, 556–560,
D9/723–729, 447, 442–443, 453, 730, 686,
D9/688–693, 435, 440; 215/355, 380–381;
222/212, 92, 95–96, 107, 215, 531,
222/386, 536, 207, 394; 220/669, DIG. 7;
D28/91.1, 76–78, 82, 88, 7; D4/112,
D4/114; D24/119, 133; 206/229; 401/184;
D19/66; 221/64, 208, 278

See application file for complete search history.

(56) **References Cited**

U.S. PATENT DOCUMENTS

D358,760 S * 5/1995 Sherman et al. D9/697
D373,722 S * 9/1996 Kastberg D9/698

D438,799 S * 3/2001 Anderson D9/449
D444,387 S * 7/2001 Adachi et al. D9/529
D551,088 S * 9/2007 Dittmer et al. D9/697
D584,148 S * 1/2009 Stolle D9/449
D635,023 S * 3/2011 Stolle D9/449
D649,055 S * 11/2011 Fracasso D9/503
D664,849 S * 8/2012 Fracasso D9/449
D670,572 S * 11/2012 Bahrami et al. D9/697
D676,333 S * 2/2013 Fracasso D9/697
D688,554 S * 8/2013 Fracasso D9/449

* cited by examiner

Primary Examiner — Caron D Veynar

Assistant Examiner — Abraham Bahta

(74) *Attorney, Agent, or Firm* — Alleman Hall McCoy
Russell & Tuttle LLP

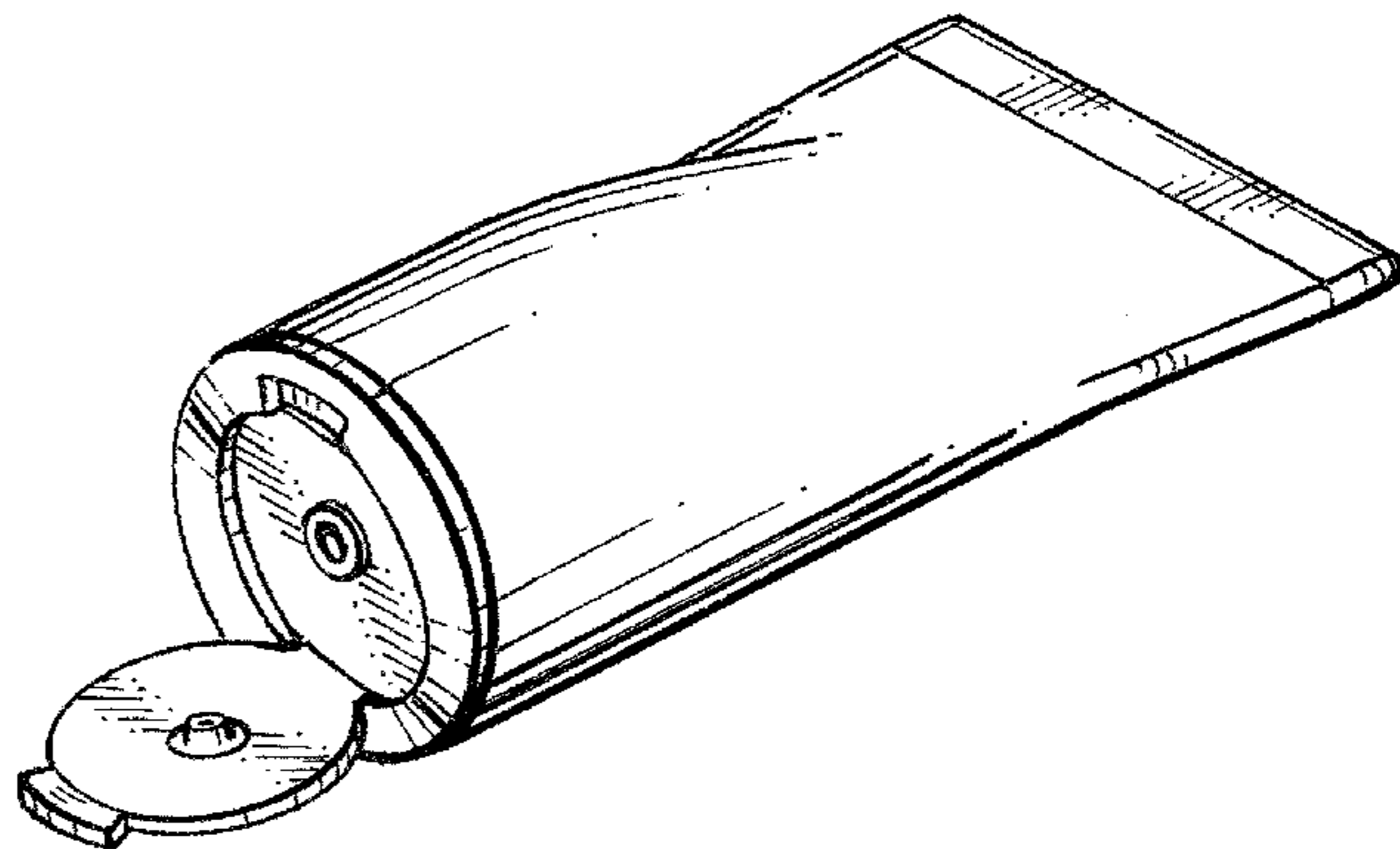
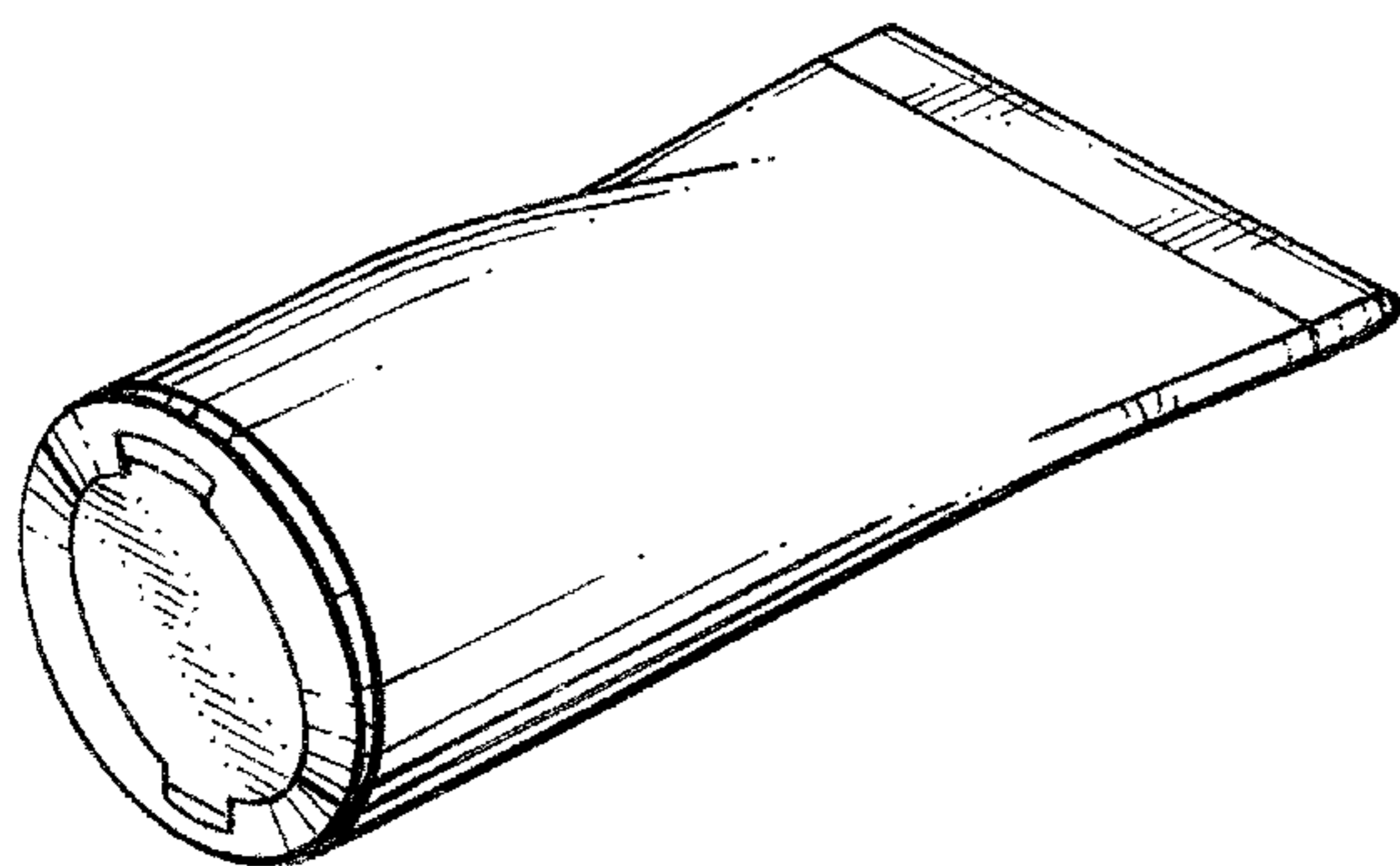
(57) **CLAIM**

The ornamental design for a hinged cap shoulder tube—no valve, as shown and described.

DESCRIPTION

FIG. 1 is a TOP-CLOSED view of the design;
FIG. 2 is a BOTTOM-CLOSED view of the design;
FIG. 3 is a SIDE-CLOSED view of the design;
FIG. 4 is a FRONT/BACK CLOSED view of the design;
FIG. 5 is a TOP RIGHT-CLOSED view of the design;
FIG. 6 is a TOP-OPENED view of the design.
FIG. 7 is a BOTTOM-OPENED view of the design.
FIG. 8 is a SIDE-OPENED view of the design.
FIG. 9 is a FRONT-OPENED view of the design.
FIG. 10 is a BACK-OPENED view of the design; and,
FIG. 11 is a TOP RIGHT-OPENED view of the design.
The design consists of the features of shape, ornament, pattern and configuration of the hinged cap shoulder tube—no valve shown in solid lines in the attached drawings.

1 Claim, 4 Drawing Sheets



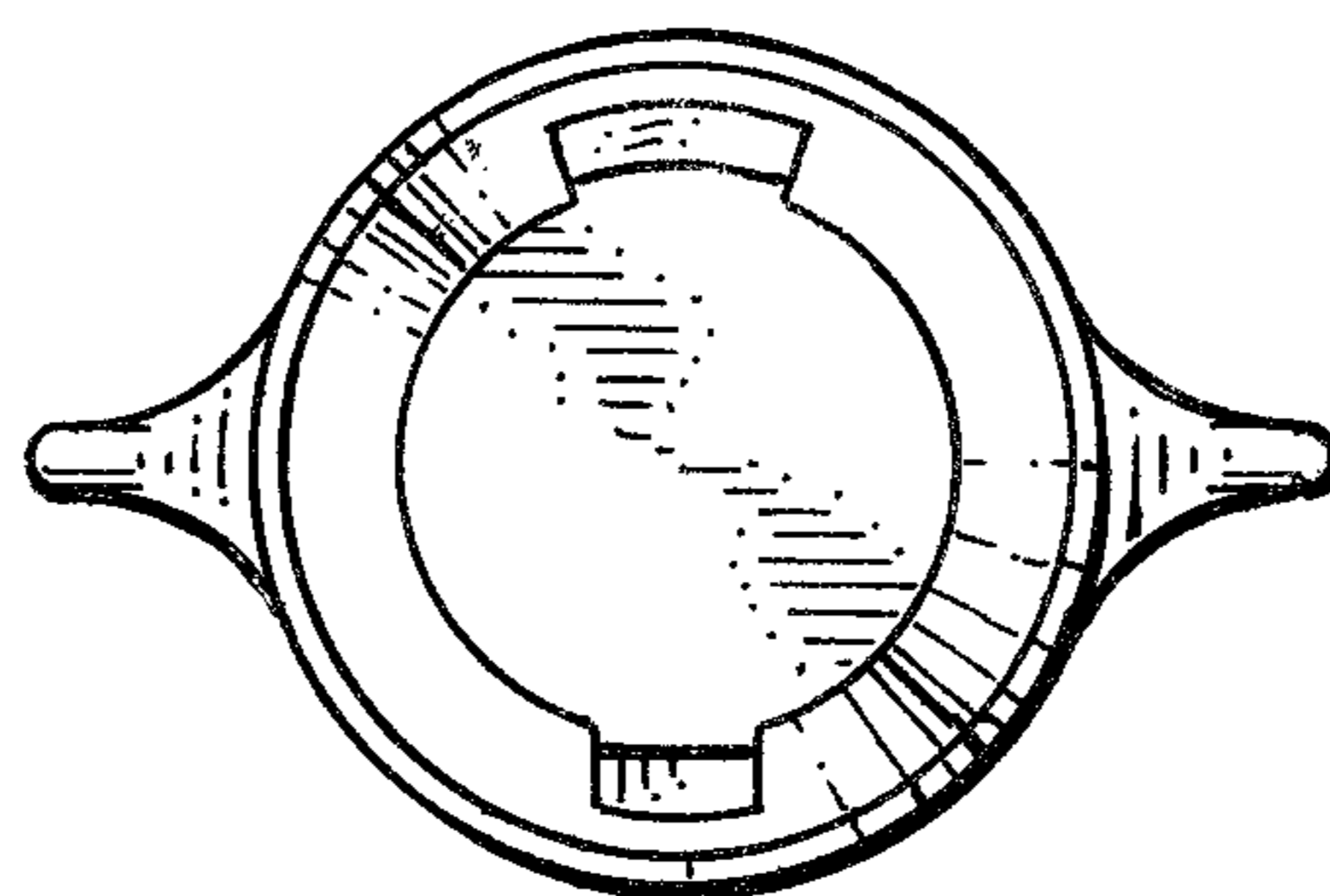


FIG. 1

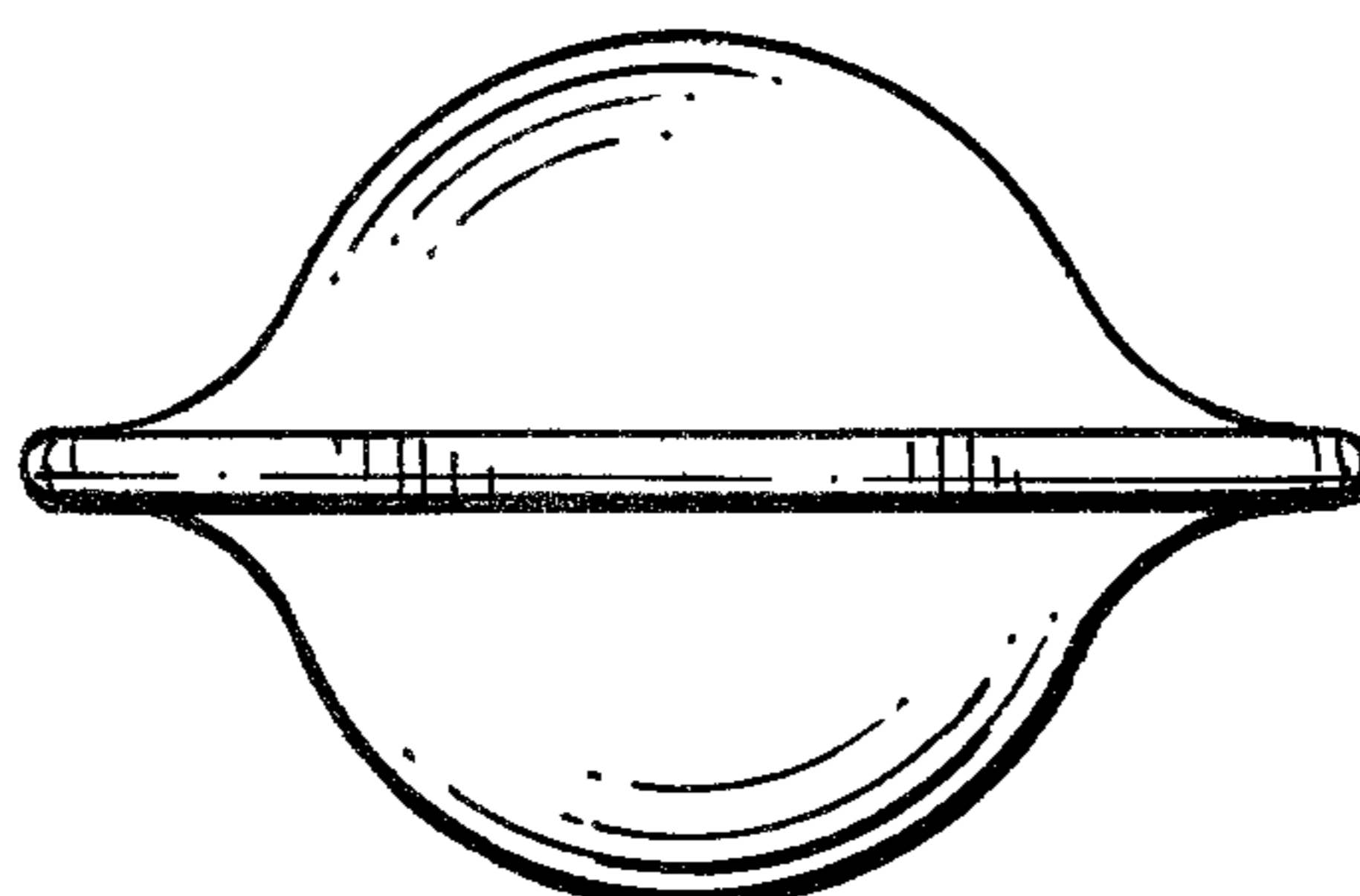


FIG. 2

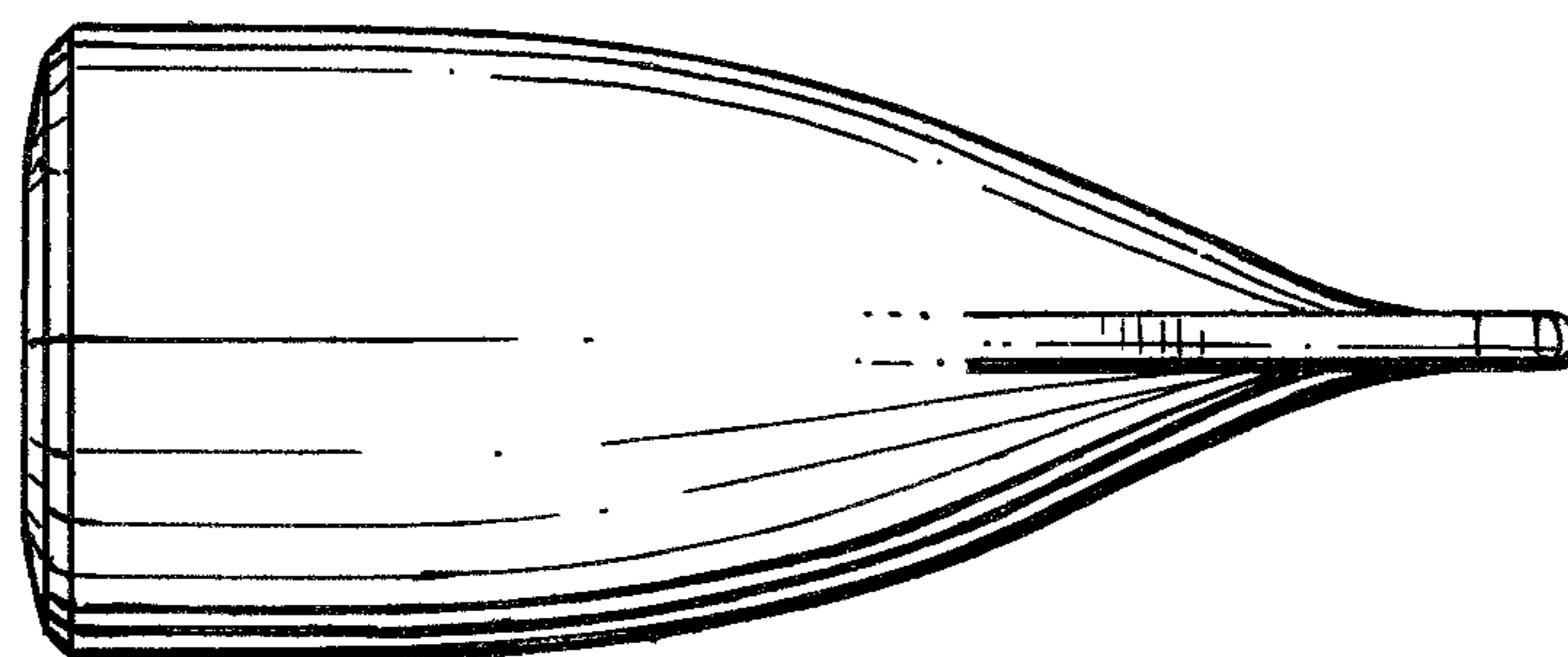


FIG. 3

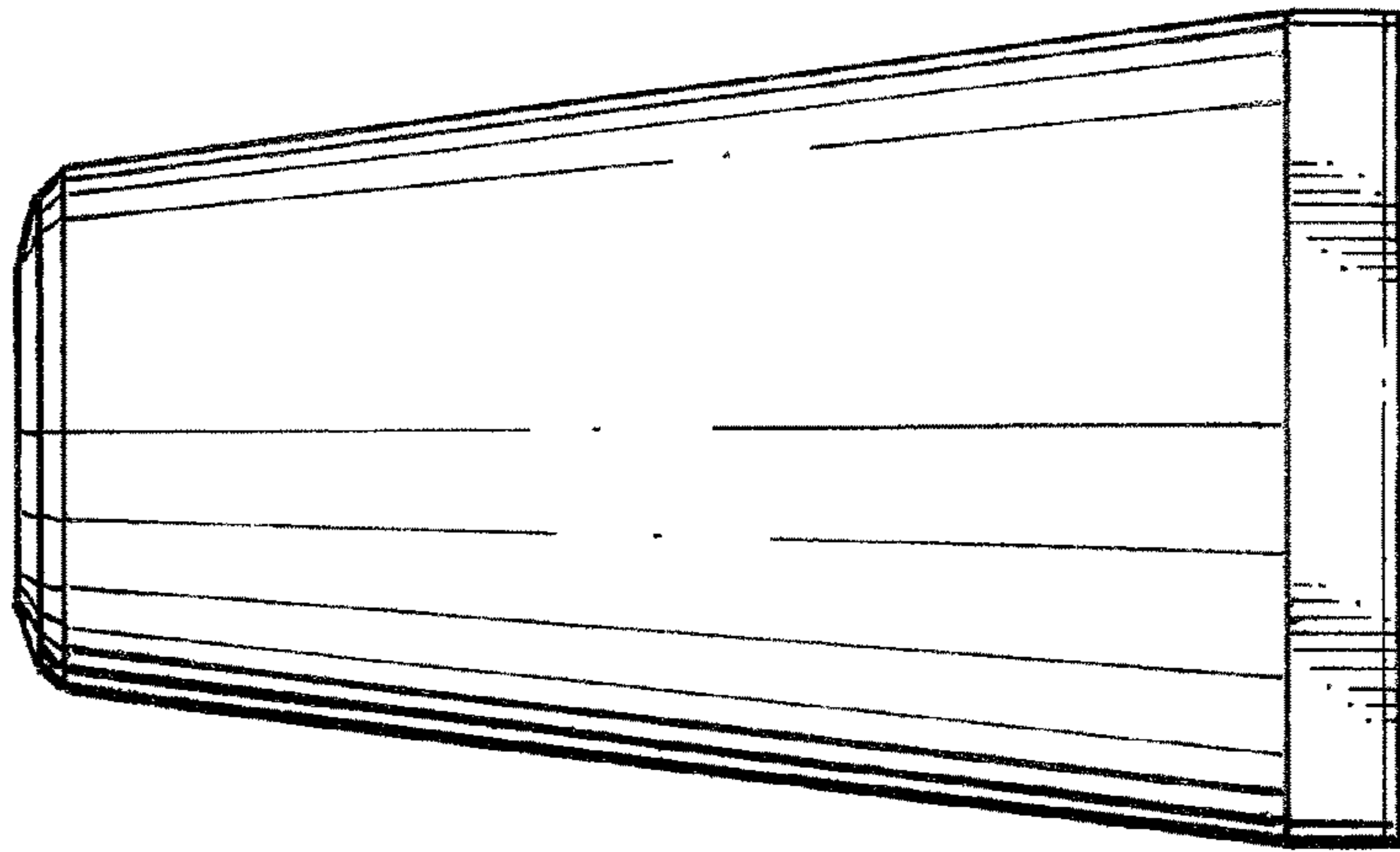


FIG. 4

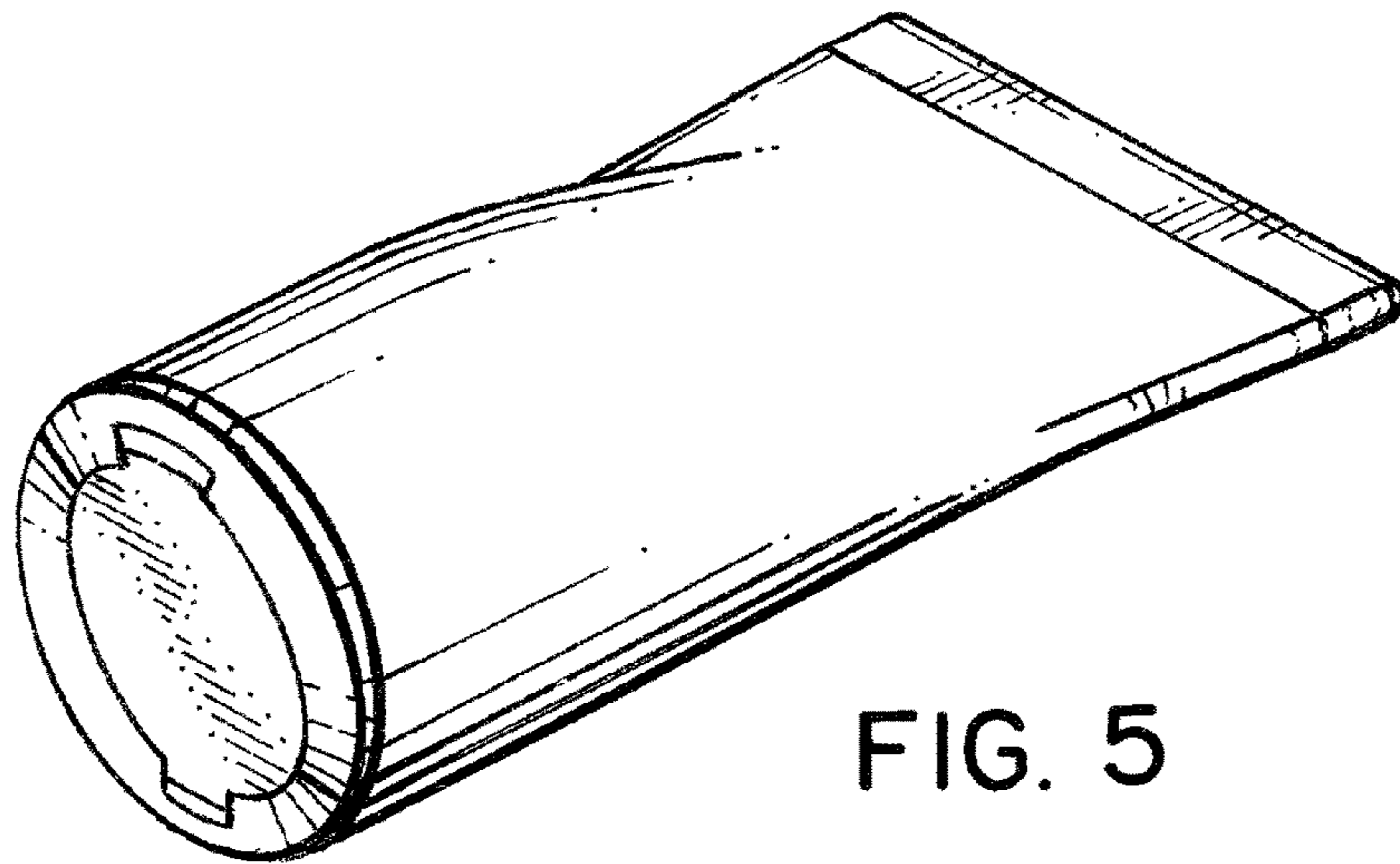


FIG. 5

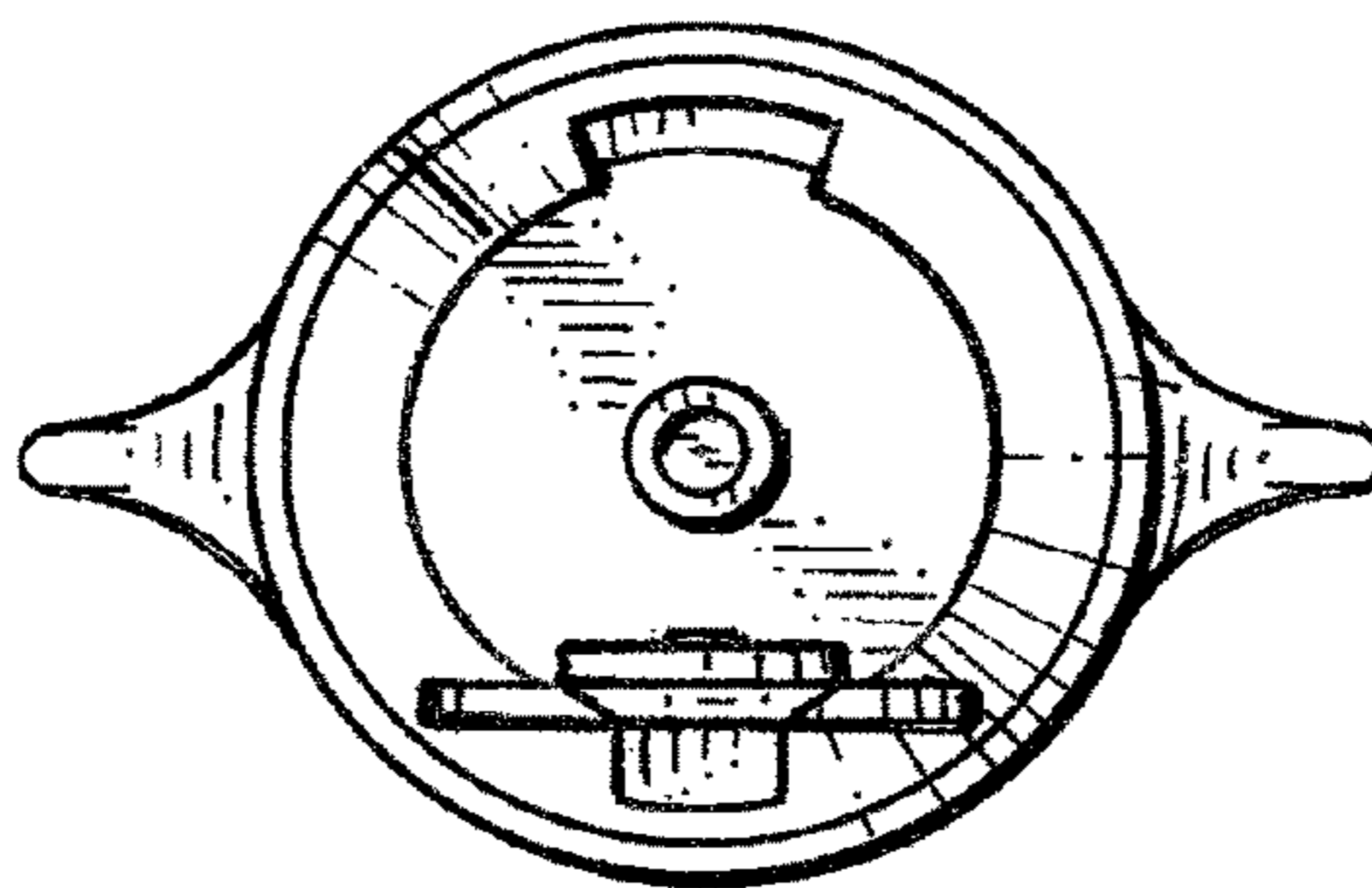


FIG. 6

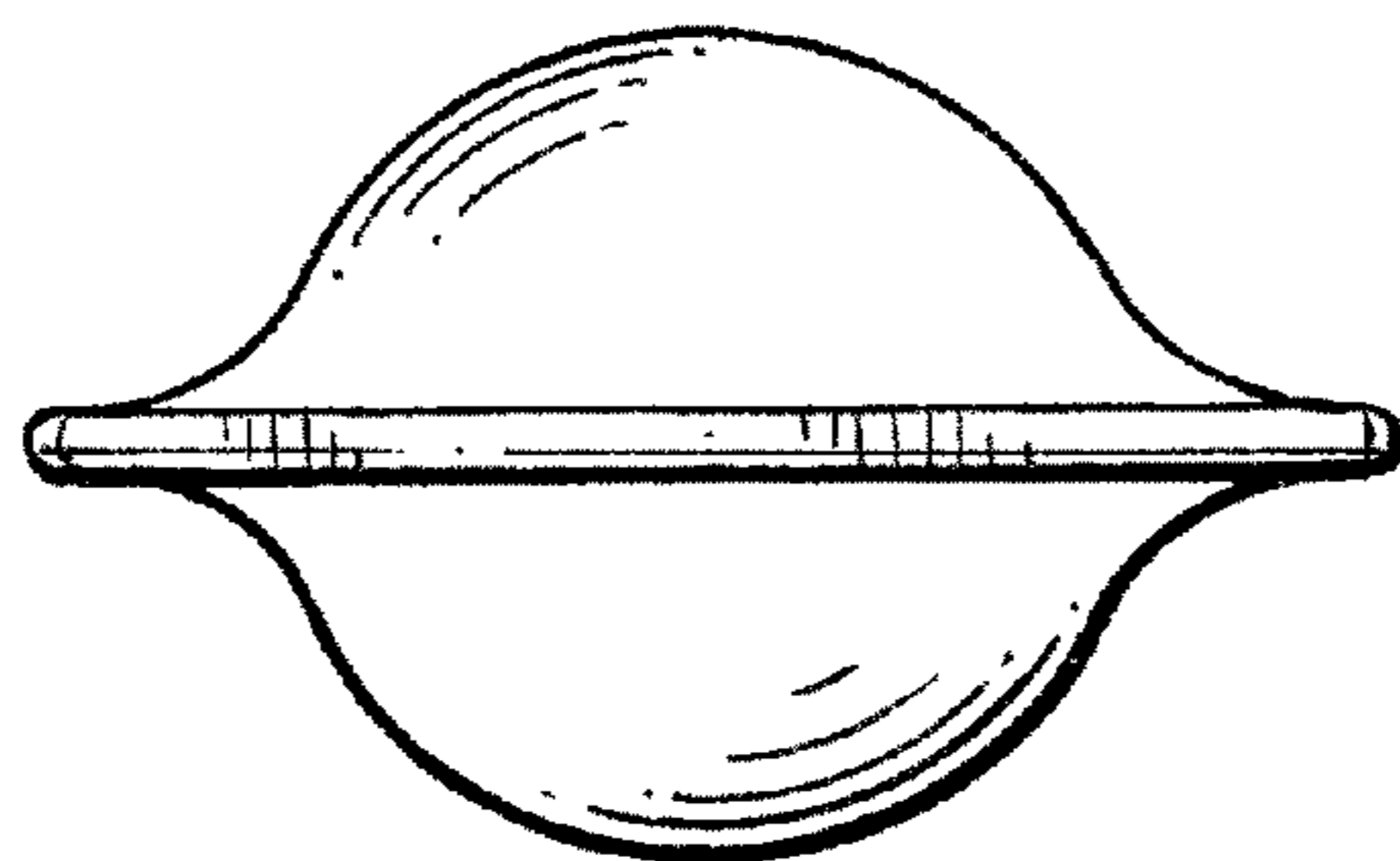


FIG. 7

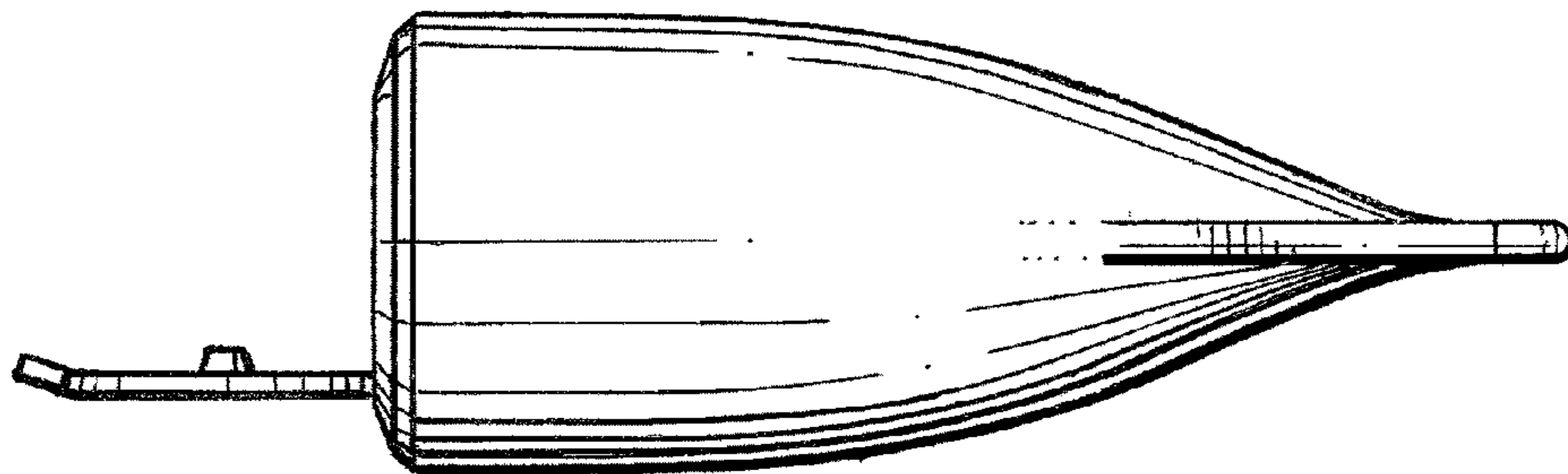


FIG. 8

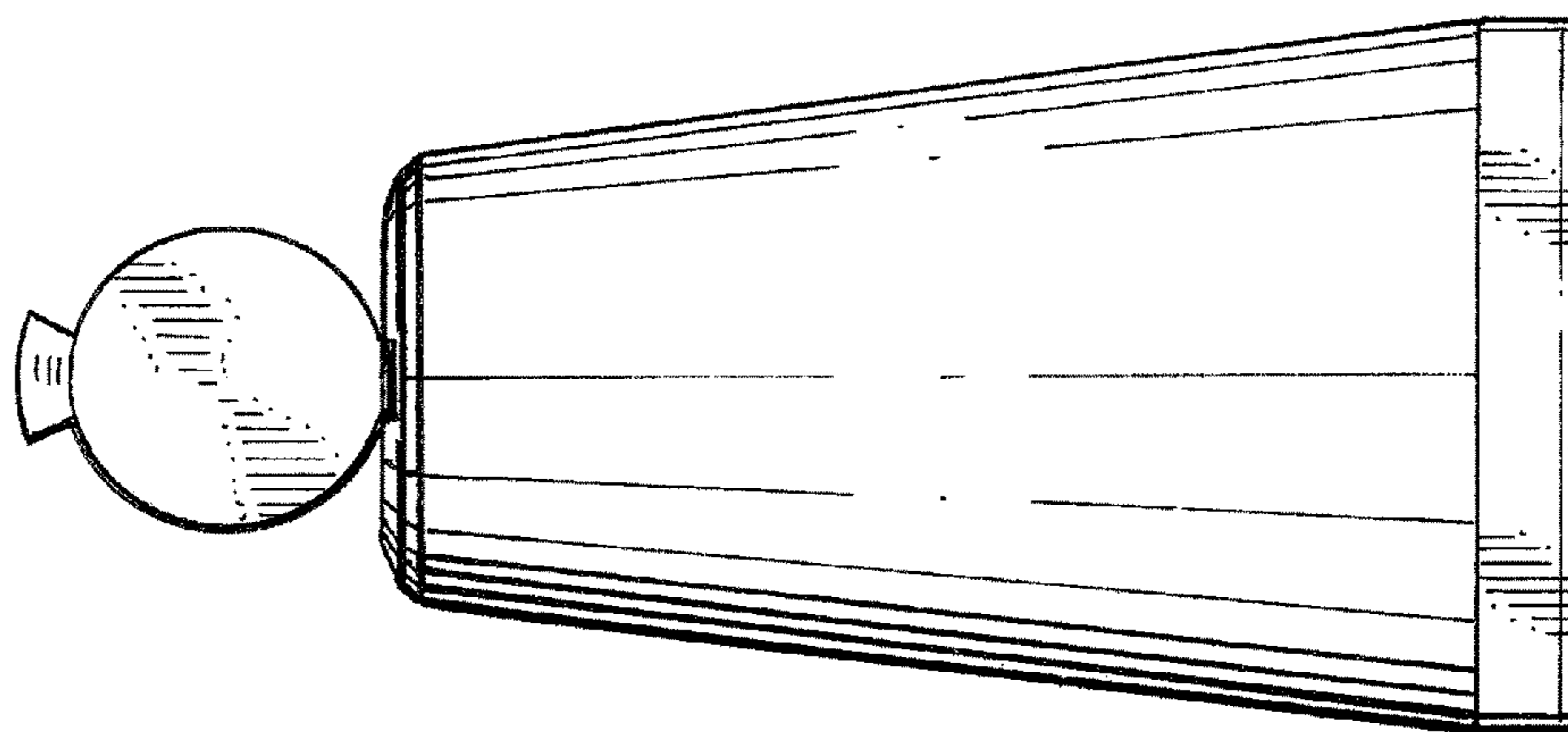


FIG. 9

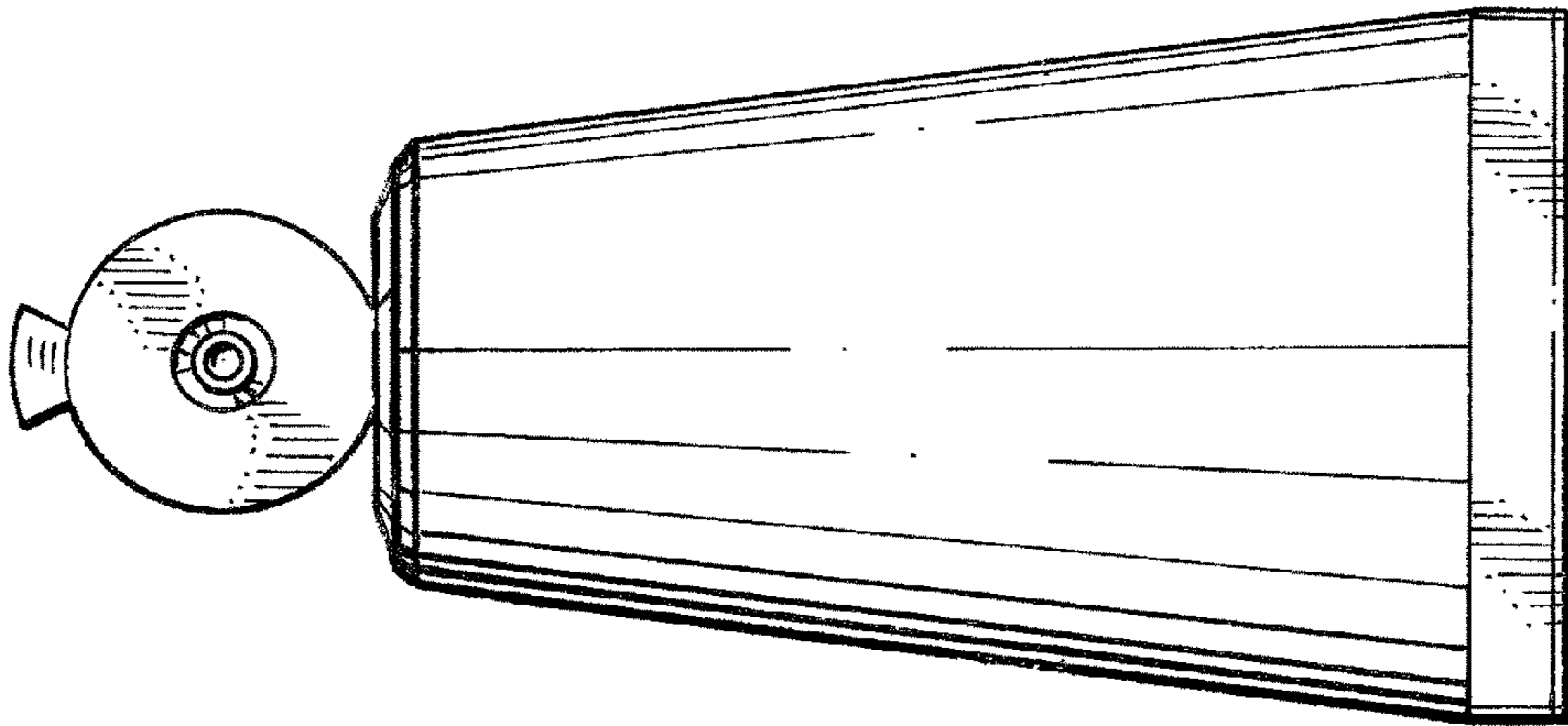


FIG. 10

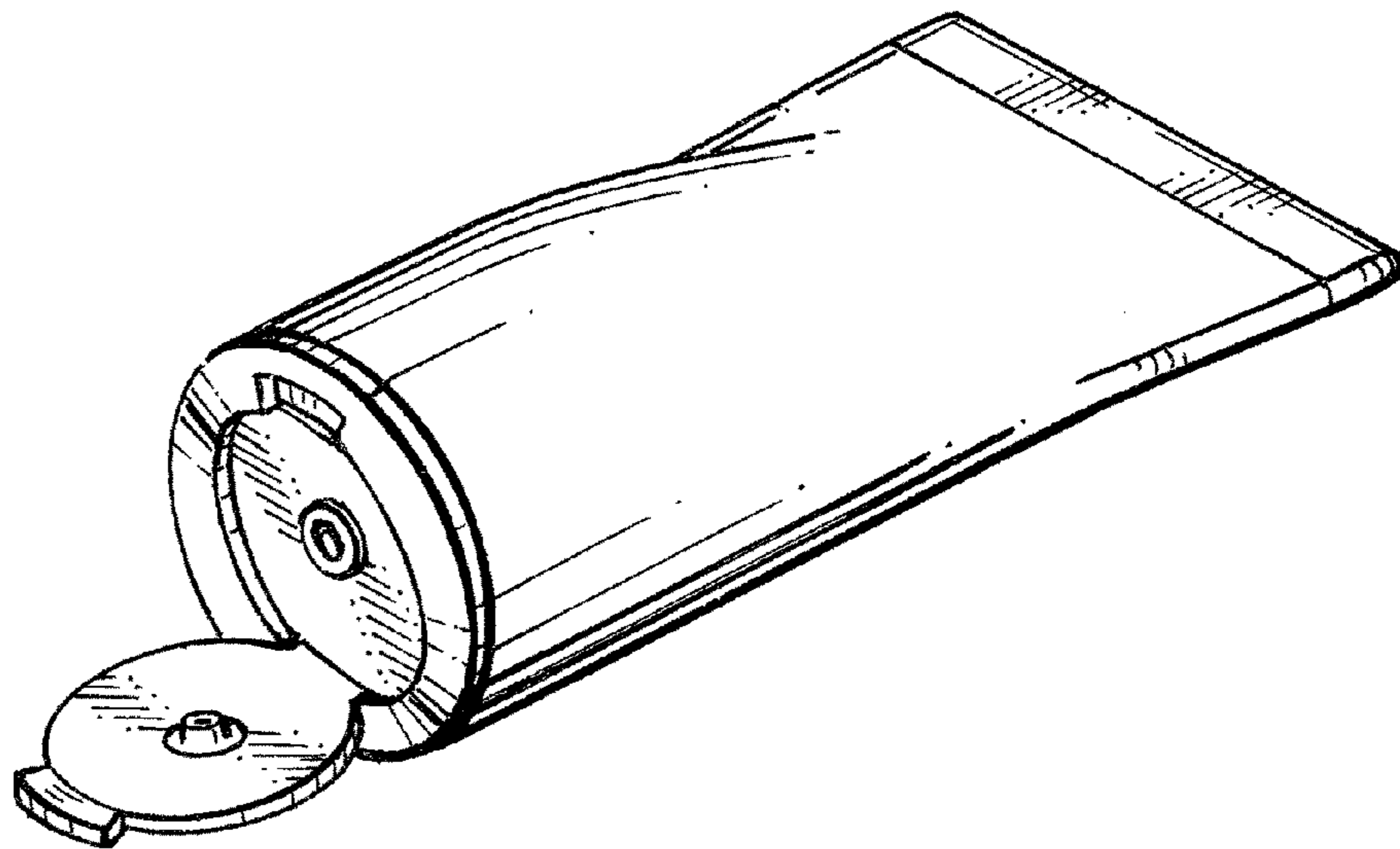


FIG. 11