



US00D699585S

(12) **United States Design Patent**  
**Carreiro**

(10) **Patent No.:** **US D699,585 S**

(45) **Date of Patent:** **\*\* Feb. 18, 2014**

- (54) **WIPES CONTAINER COVER**
  - (71) Applicant: **Jill Carreiro**, Dedham, MA (US)
  - (72) Inventor: **Jill Carreiro**, Dedham, MA (US)
  - (73) Assignee: **CleverRelish LLC**, Westborough, MA (US)
  - (\*\*) Term: **14 Years**
  - (21) Appl. No.: **29/437,011**
  - (22) Filed: **Nov. 12, 2012**
  - (51) **LOC (10) Cl.** ..... **09-01**
  - (52) **U.S. Cl.**  
USPC ..... **D9/670; D9/734**
  - (58) **Field of Classification Search**  
USPC ..... D9/734, 414, 416, 420, 423, 424, 425,  
D9/428, 432, 494, 501, 503, 529, 537, 564,  
D9/730; D7/507, 511, 538, 584, 586, 587,  
D7/589, 591, 597, 601, 602; D3/202;  
206/225, 233, 389, 391, 440, 441, 438,  
206/457, 486, 489, 494, 499, 581, 804;  
D6/515-523; 221/26, 33, 45, 63;  
D28/9, 73, 76, 82, 83; 220/315, 659,  
220/675, 662, 660
- See application file for complete search history.

- 6,269,970 B1 \* 8/2001 Huang et al. .... 220/836
- D463,930 S 10/2002 Mai
- D468,567 S \* 1/2003 Trevett et al. .... D6/515
- 6,592,004 B2 \* 7/2003 Huang et al. .... 221/63
- D485,461 S \* 1/2004 Sams et al. .... D6/515
- 7,028,840 B2 4/2006 Huang et al.
- 7,143,906 B2 \* 12/2006 Chasid et al. .... 221/45
- 7,207,439 B2 4/2007 Casella
- 7,275,658 B2 10/2007 Decker et al.
- D568,758 S \* 5/2008 Burks ..... D9/670
- 7,530,471 B2 \* 5/2009 Cohen et al. .... 221/48
- 7,648,173 B2 1/2010 Silverman

(Continued)

**OTHER PUBLICATIONS**

Bellingham Baby Co., MooBoo Wipes Box Cover, <<http://bellinghambabycompany.com/babystore/product.php?productid=18953>>, 2005-2013.

(Continued)

*Primary Examiner* — Derrick Holland  
*Assistant Examiner* — Lauren Calve  
(74) *Attorney, Agent, or Firm* — Lando & Anastasi, LLP

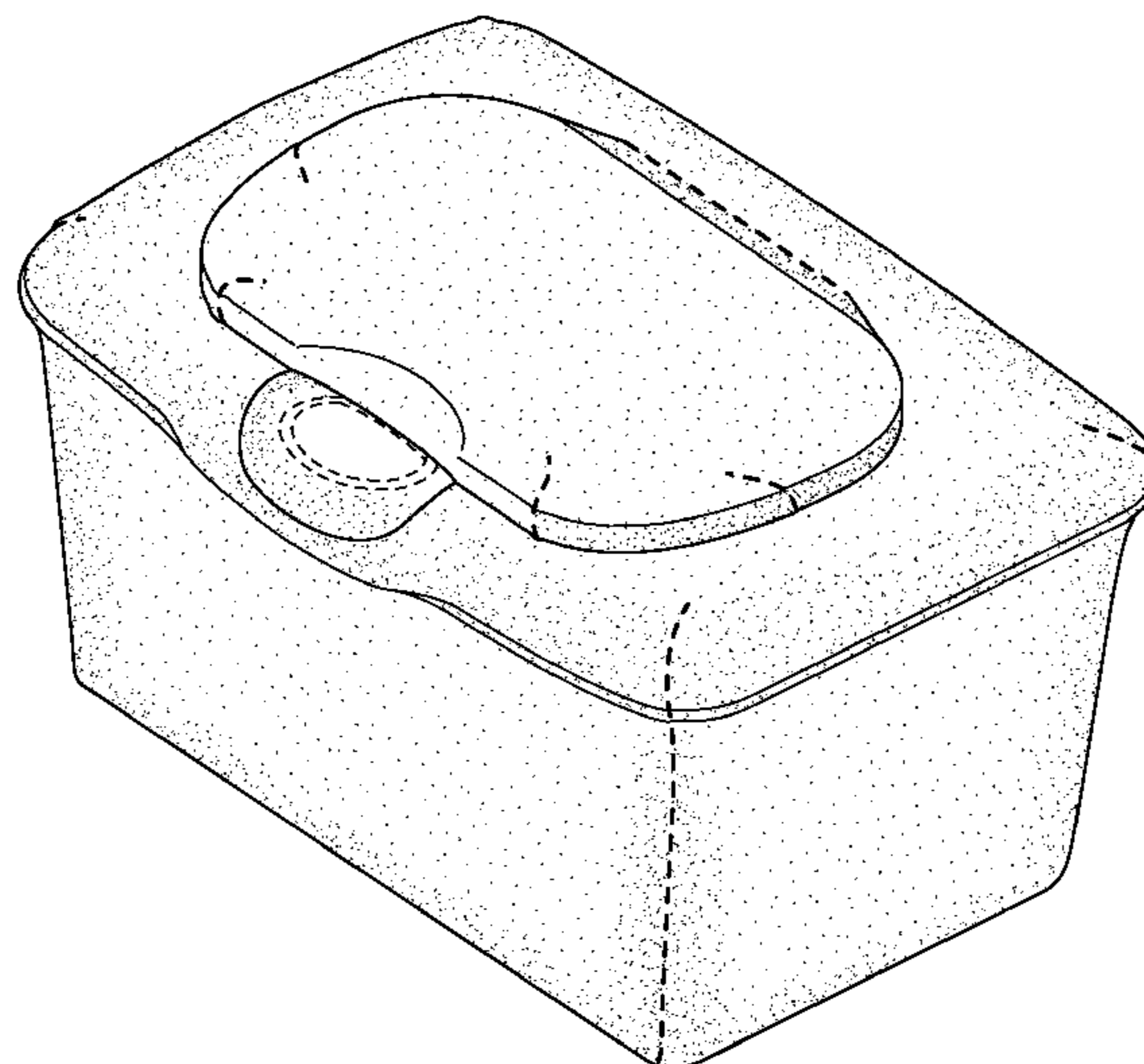
(57) **CLAIM**  
The ornamental design for a wipes container cover, as shown and described.

**DESCRIPTION**

FIG. 1 is a perspective view of a wipes container cover in a closed position, according to the present design; FIG. 2 is a front elevational view thereof; FIG. 3 is a top plan view thereof; FIG. 4 is a rear elevational view thereof; FIG. 5 is a bottom plan view thereof; FIG. 6 is a side elevational view thereof; and, FIG. 7 is a perspective view thereof in an open position. The broken lines shown in FIGS. 1-7 represent unclaimed subject matter and form no part of the claimed design.

**1 Claim, 4 Drawing Sheets**

- (56) **References Cited**  
U.S. PATENT DOCUMENTS
- 4,683,927 A 8/1987 Pyzer
- D353,996 S 1/1995 Boysen
- 5,553,733 A 9/1996 Rosenthal
- 5,695,160 A 12/1997 Cockrum
- 5,738,082 A 4/1998 Page et al.
- 5,785,179 A \* 7/1998 Buczwinski et al. .... 206/494
- D414,637 S \* 10/1999 Amundson et al. .... D9/734
- D414,691 S \* 10/1999 Chan ..... D9/670
- 6,092,690 A 7/2000 Bitowft et al.
- 6,257,622 B1 7/2001 Peker



(56)

**References Cited**

U.S. PATENT DOCUMENTS

7,832,555	B2	11/2010	Flannery	
D630,939	S *	1/2011	Peters et al.	D9/420
8,016,155	B2 *	9/2011	Decker et al.	221/62
2003/0221986	A1 *	12/2003	Reinke et al.	206/494
2007/0062994	A1	3/2007	Shoemaker et al.	
2009/0321299	A1	12/2009	Gehring	
2010/0230302	A1	9/2010	Yang et al.	
2011/0297694	A1 *	12/2011	Conway et al.	221/46
2012/0160864	A1 *	6/2012	Shoaf et al.	221/45

OTHER PUBLICATIONS

Cover Me Blue <<http://www.covermeblue.com/>> 2007.  
 eBay—Items for sale from jennycandydesigns, <[http://www.ebay.com/sch/jennycandydesigns/m.html?\\_nkw=&\\_armrs=1&\\_from=&\\_ipg=&\\_trksid=p3686](http://www.ebay.com/sch/jennycandydesigns/m.html?_nkw=&_armrs=1&_from=&_ipg=&_trksid=p3686)>, 1995-2013.  
 Etsy—Baby Wipe Covers, <[http://www.etsy.com/search/?search\\_query=baby+wipe+covers](http://www.etsy.com/search/?search_query=baby+wipe+covers)>, 2013.  
 Etsy—Bump2Baby: A Shop for Mommy and Baby, <[http://www.etsy.com/shop/bump2baby?section\\_id=7355837#](http://www.etsy.com/shop/bump2baby?section_id=7355837#)>, 2013.

Jersey Girls Treasure Box—A Chic & Unique Baby Boutique—Baby Wipe Cover, <[http://www.jerseygirlst treasurebox.com/category\\_8/Baby-Wipe-Cover.htm](http://www.jerseygirlst treasurebox.com/category_8/Baby-Wipe-Cover.htm)>, accessed Jan. 23, 2012.  
 Little Moo Cow Designs, <<http://www.littlemoo cowdesigns.com/>>, date unknown.  
 MerrimentDesign—Free Simple & Clever Craft Ideas, Custom Fabric-Covered Huggies Baby Wipes Popup Tub Container, <<http://www.merrimentdesign.com/custom-fabric-covered-huggies-baby-wipes-popup-tub-container-free-pattern.php>>, Aug. 22, 2011.  
 Mod Mami for Fashion Savvy Moms & Babies—Just Carnival Nursery Tub & Wipes Case Set, <[http://www.modmami.com/item\\_301/Just-Carnival-Nursery-Tub-Wipes-Case-Set.htm](http://www.modmami.com/item_301/Just-Carnival-Nursery-Tub-Wipes-Case-Set.htm)>, 2004-2013.  
 Mod Mami for Fashion Savvy Moms & Babies, Boutique Baby Wipes Case, <[http://www.modmami.com/category\\_3/Boutique-Baby-Wipes-Case-.htm](http://www.modmami.com/category_3/Boutique-Baby-Wipes-Case-.htm)>, 2004-2013.  
 Pink Taffy Designs—Unique Children’s Boutique, Baby Wipes Case, <[http://www.pinktaffydesigns.com/baby-wipes-case-c-101\\_128\\_389.html](http://www.pinktaffydesigns.com/baby-wipes-case-c-101_128_389.html)>, 2003-2012.  
 Pink Taffy Designs—Unique Children’s Boutique, Diaperes & Wipees, <[http://www.pinktaffydesigns.com/diaperes-wipees-c-101\\_128\\_563\\_129.html](http://www.pinktaffydesigns.com/diaperes-wipees-c-101_128_563_129.html)> 2003-2012.

\* cited by examiner

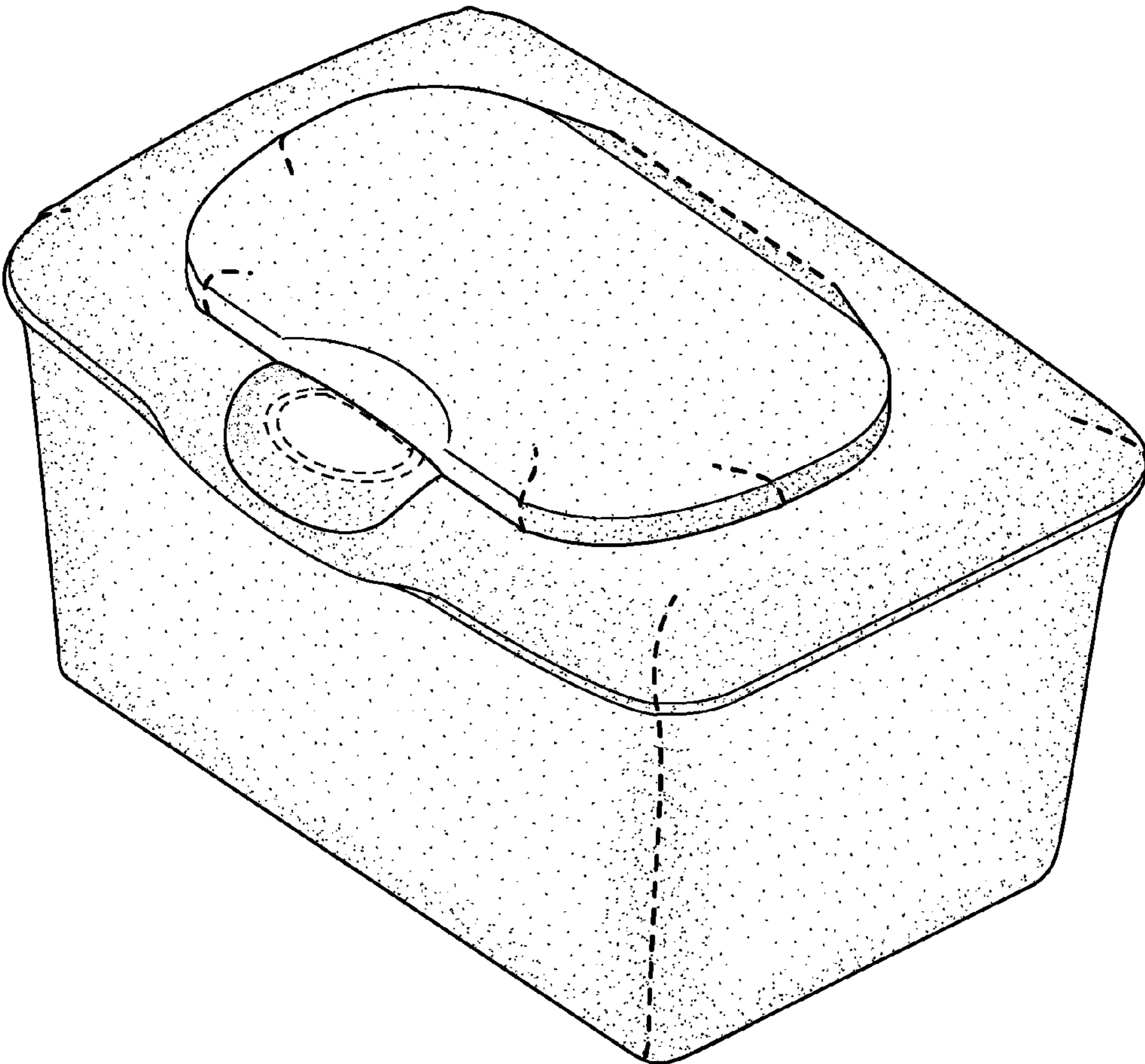


FIG. 1

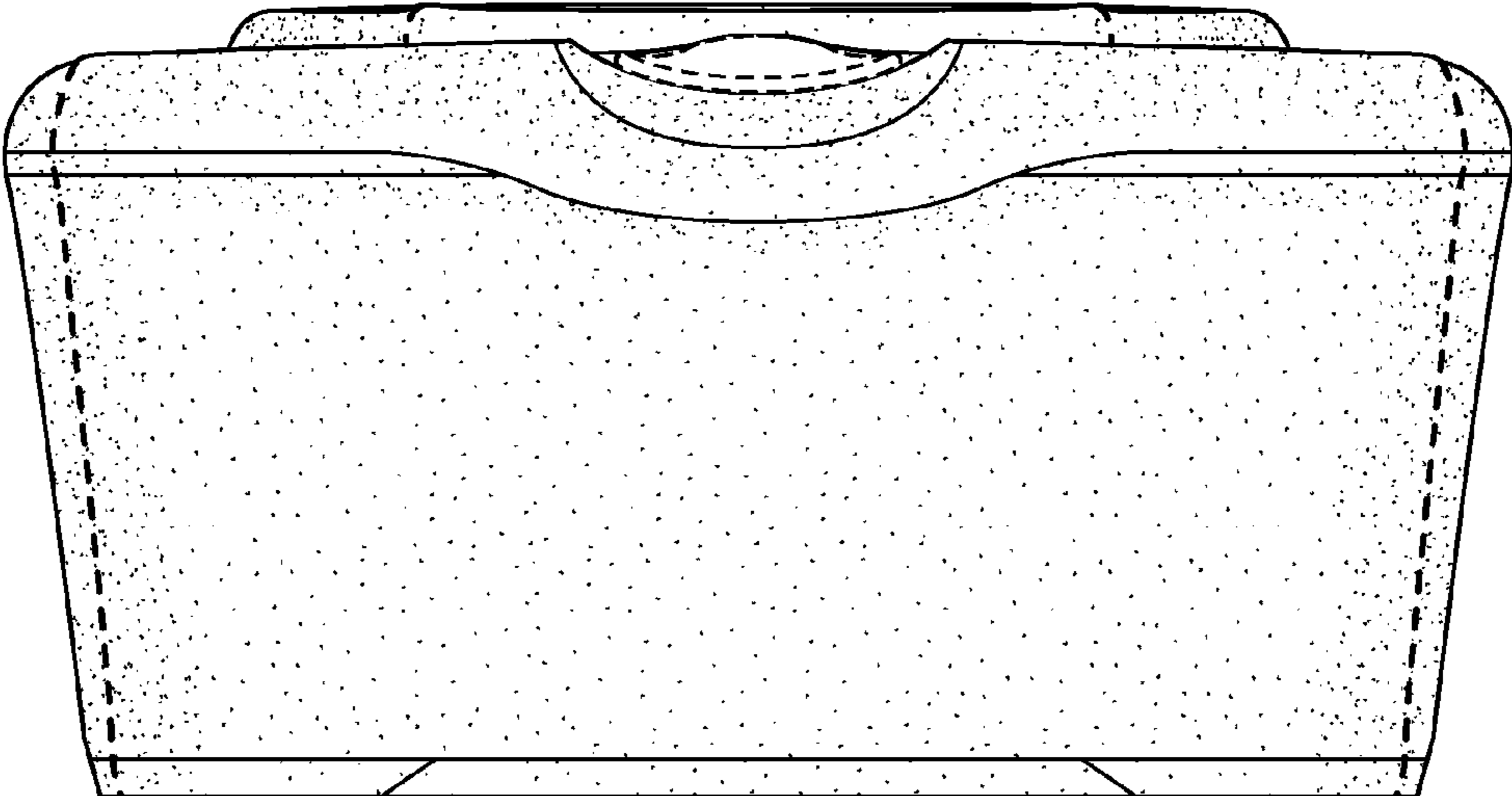


FIG. 2

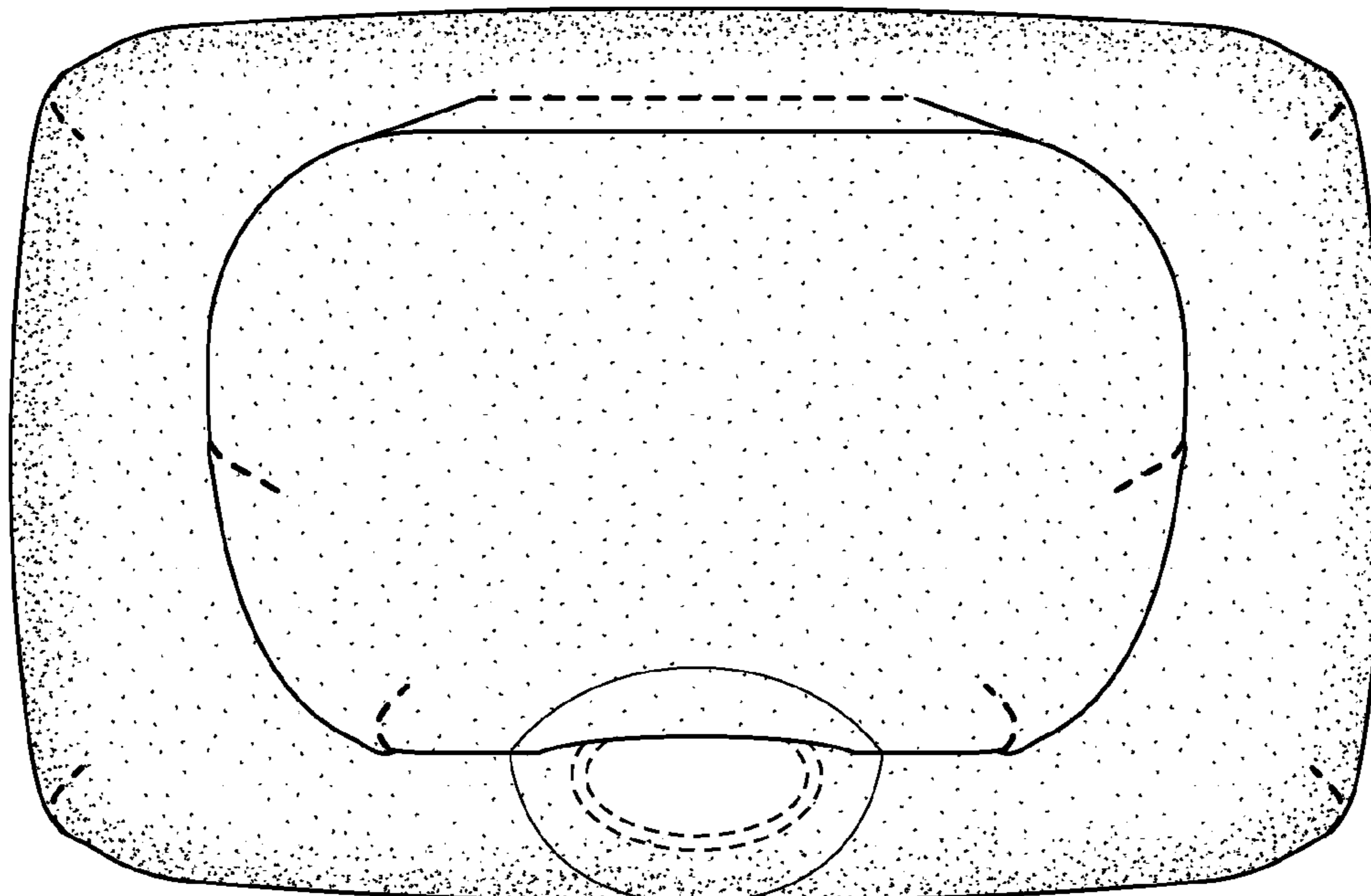


FIG. 3

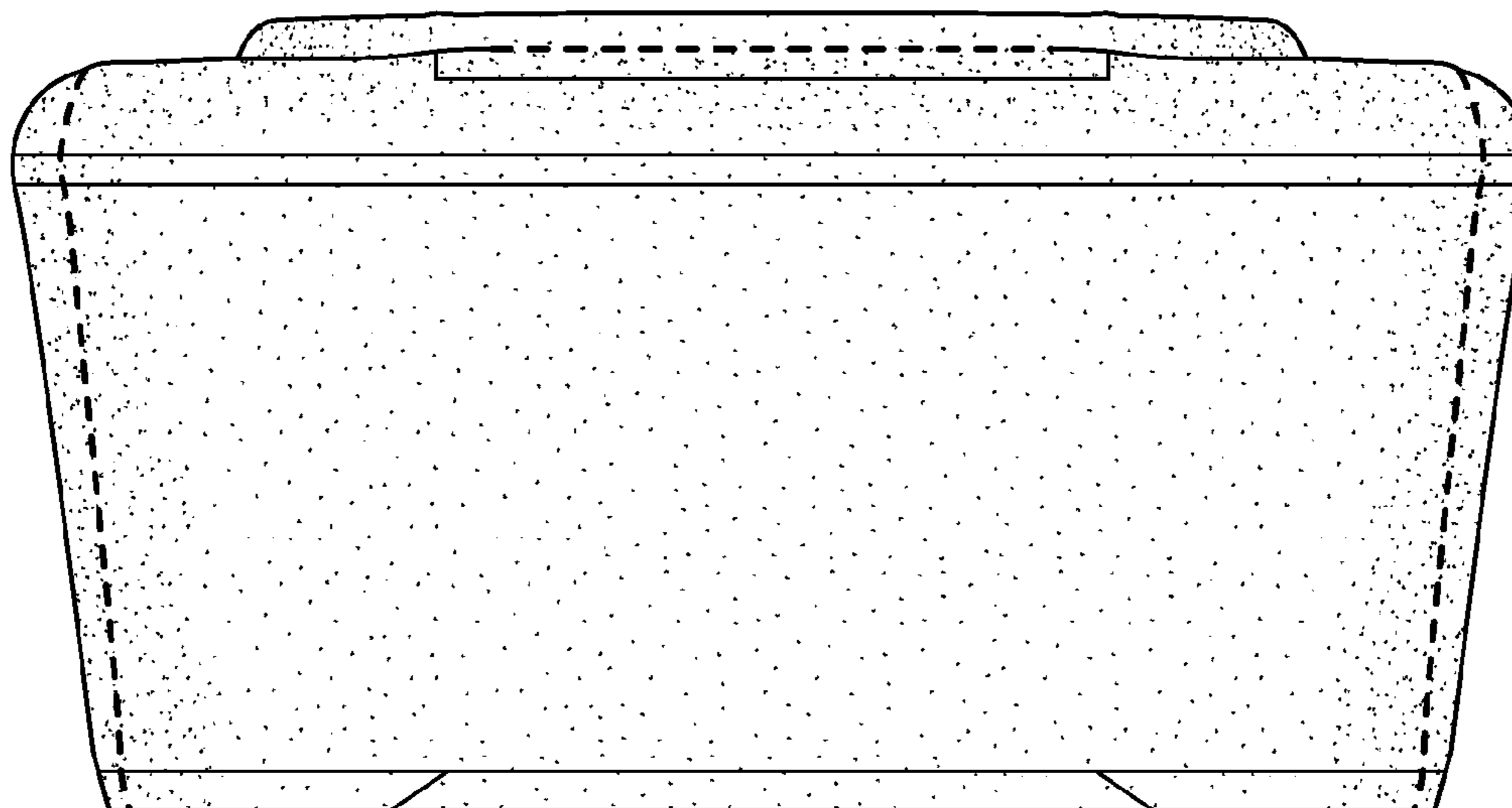


FIG. 4

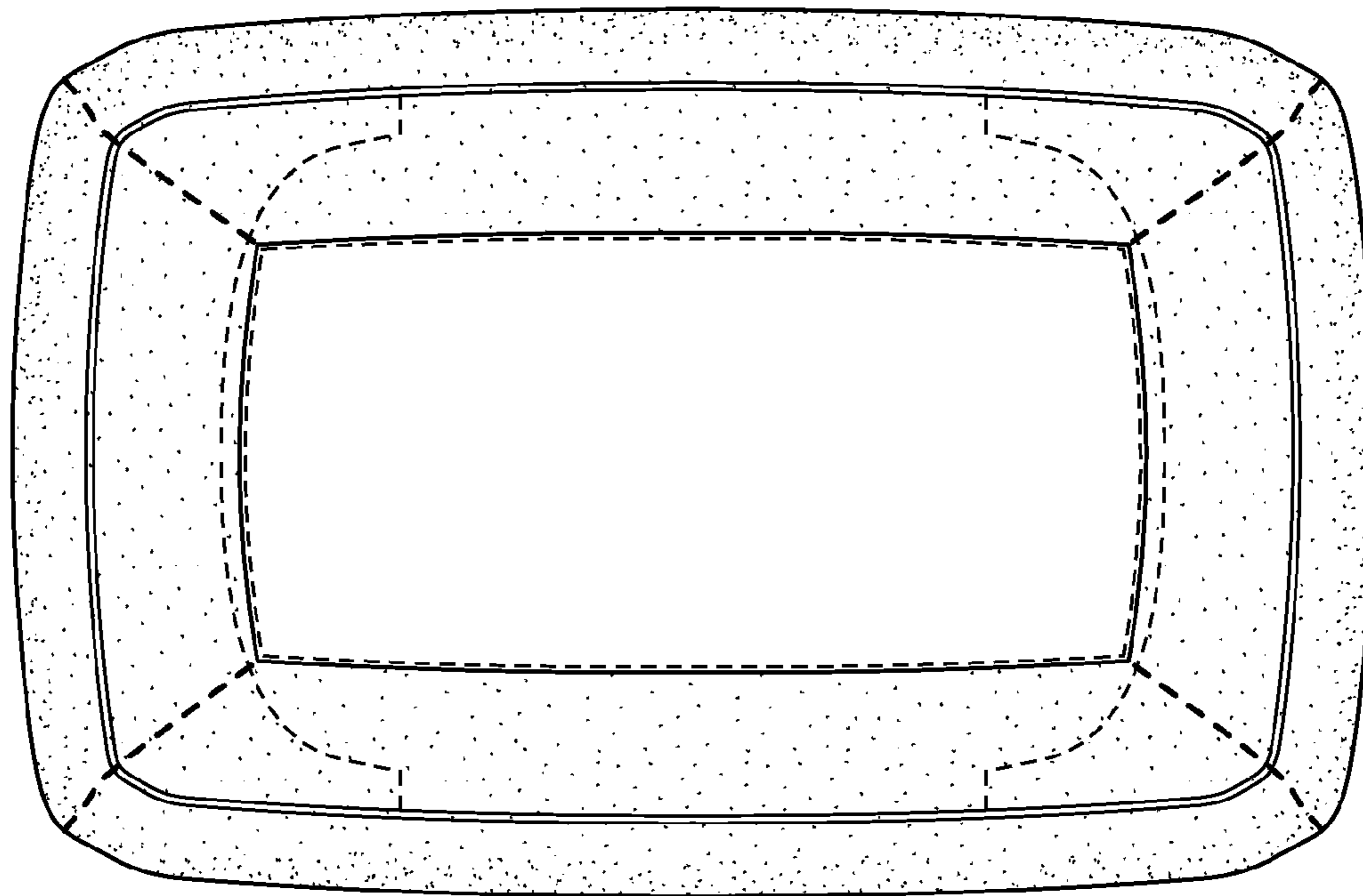


FIG. 5

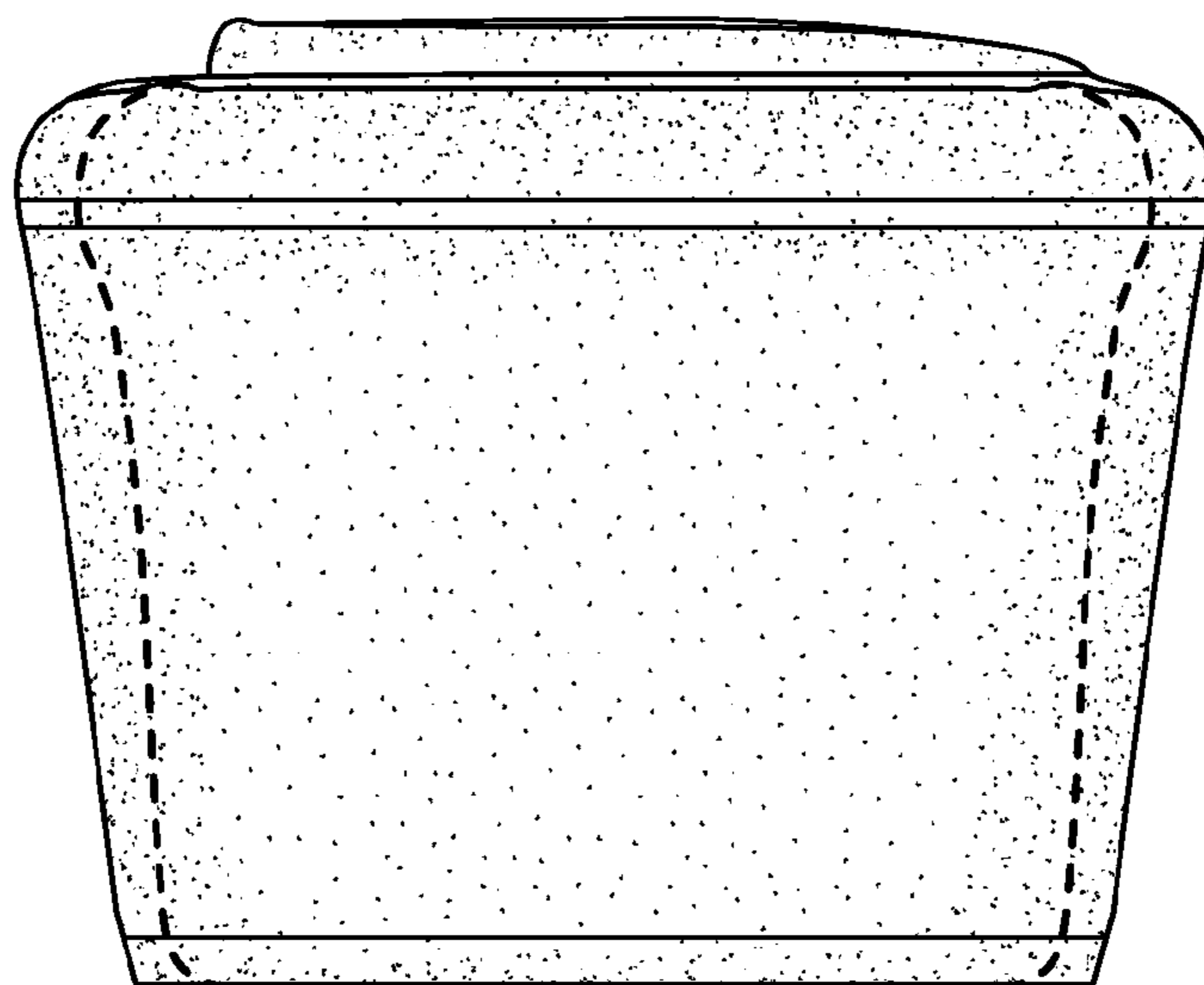


FIG. 6

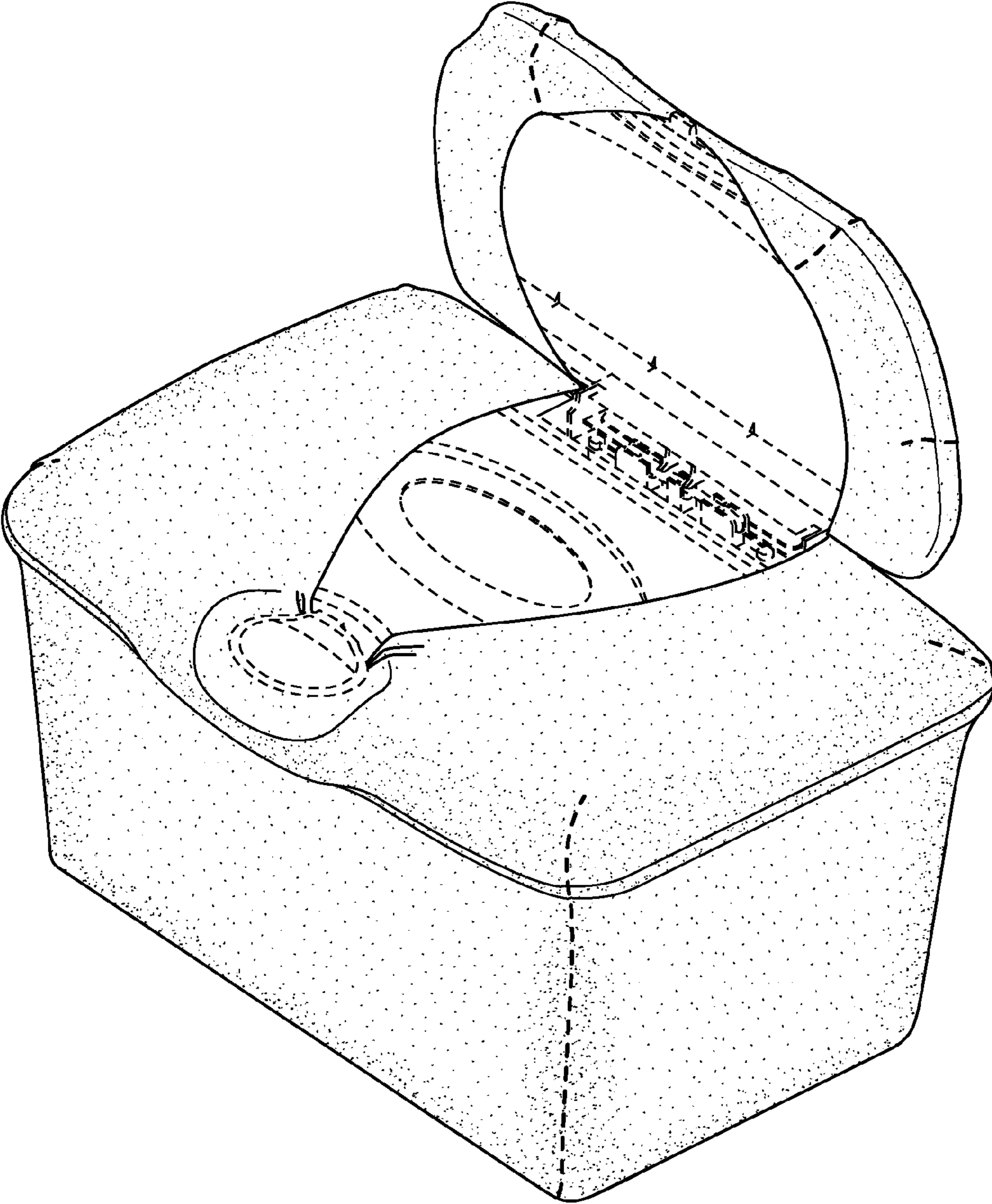


FIG. 7