



US00D699583S

(12) **United States Design Patent**  
**Harris**

(10) **Patent No.:** **US D699,583 S**

(45) **Date of Patent:** **\*\* Feb. 18, 2014**

(54) **CONTAINER**

(75) Inventor: **Ivan F. Harris**, Ypsilanti, MI (US)

(73) Assignee: **Ancor Limited**, Hawthorn (AU)

(\*\*) Term: **14 Years**

(21) Appl. No.: **29/429,064**

(22) Filed: **Aug. 7, 2012**

(51) **LOC (10) Cl.** ..... **09-01**

(52) **U.S. Cl.**  
USPC ..... **D9/663; D9/550**

(58) **Field of Classification Search**  
USPC ..... D9/600, 633, 681, 500-504, 537-540,  
D9/549-550, 556-558, 570; 206/457, 527;  
215/400; 220/890

See application file for complete search history.

(56) **References Cited**

**U.S. PATENT DOCUMENTS**

D133,946 S *	9/1942	Cox	.....	D9/633
D183,541 S *	9/1958	Plochman, Jr.	.....	D9/633
D193,533 S *	9/1962	Berns	.....	D9/633
D219,504 S *	12/1970	Terner	.....	D9/633
D224,392 S *	7/1972	Ries	.....	D9/681
D226,651 S *	4/1973	Cooper	.....	D9/633
D226,900 S *	5/1973	Cooper	.....	D9/633
D228,489 S *	10/1973	Mascia	.....	D9/633

D232,074 S *	7/1974	Cooper	.....	D9/633
D237,251 S *	10/1975	Plummer	.....	D9/633
D245,148 S *	7/1977	Strand	.....	D9/633
D271,564 S *	11/1983	Cooper	.....	D9/633

\* cited by examiner

*Primary Examiner* — Sandra Morris

(74) *Attorney, Agent, or Firm* — Harness, Dickey & Pierce, P.L.C.

(57) **CLAIM**

The ornamental design for a container, as shown and described.

**DESCRIPTION**

FIG. 1 is a front perspective view of a container showing the new design;

FIG. 2 is a front elevational view of the container shown in FIG. 1;

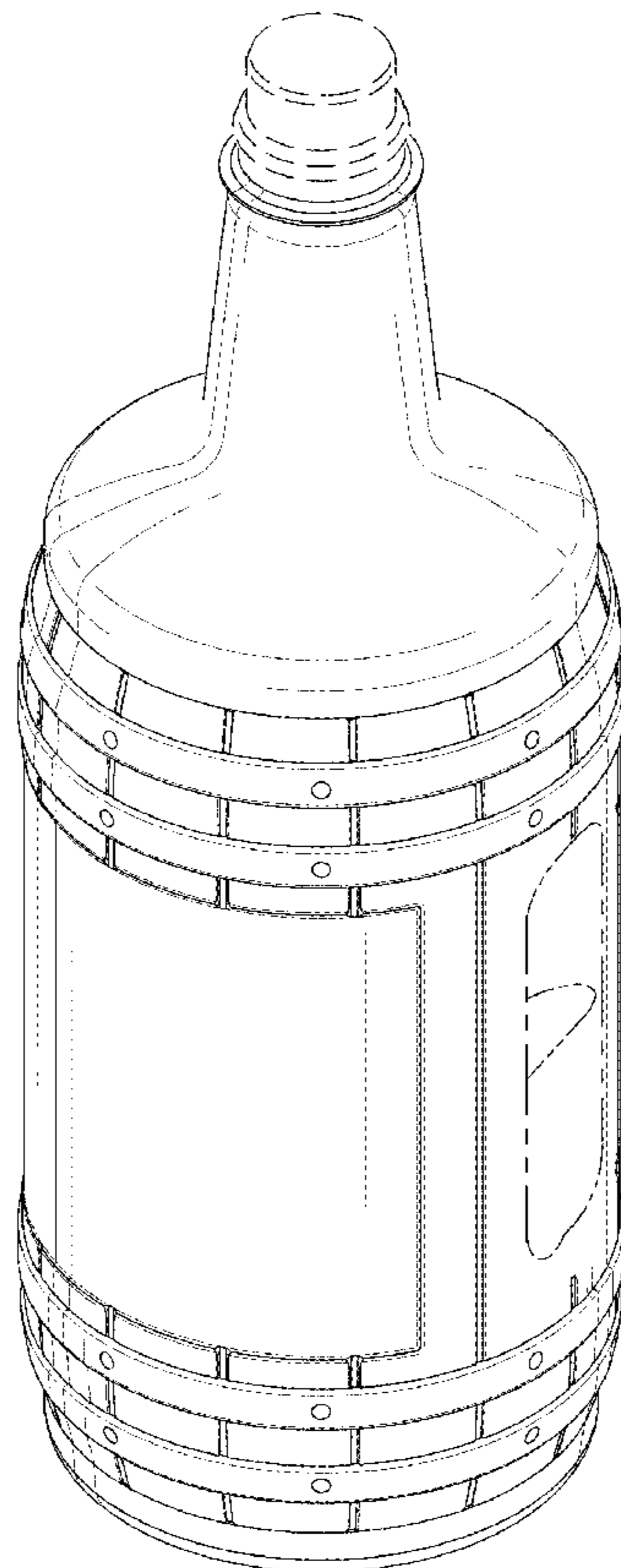
FIG. 3 is a rear elevational view of the container shown in FIG. 1;

FIG. 4 is a right side elevational view of the container shown in FIG. 1, the left side elevational view being a mirror image; and,

FIG. 5 is a top plan view of the container shown in FIG. 1.

The broken lines are for environmental purposes only and form no part of the claimed design.

**1 Claim, 5 Drawing Sheets**



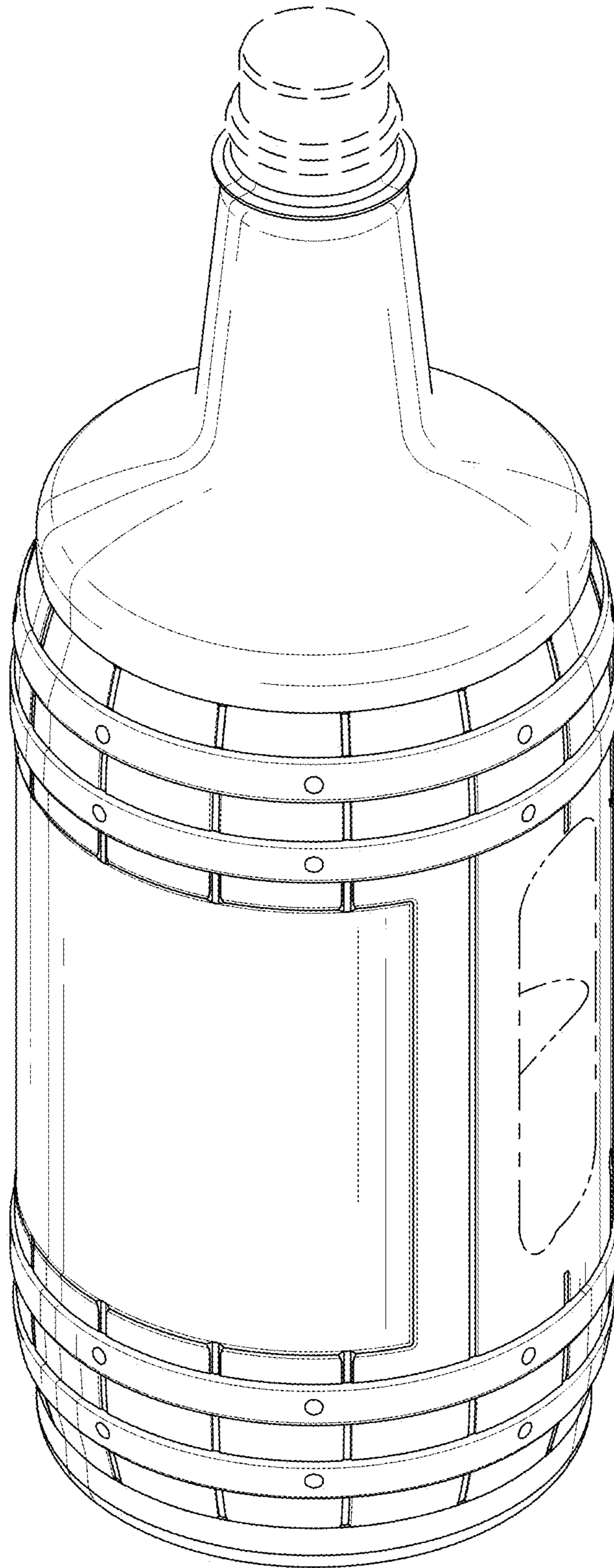


Fig-1

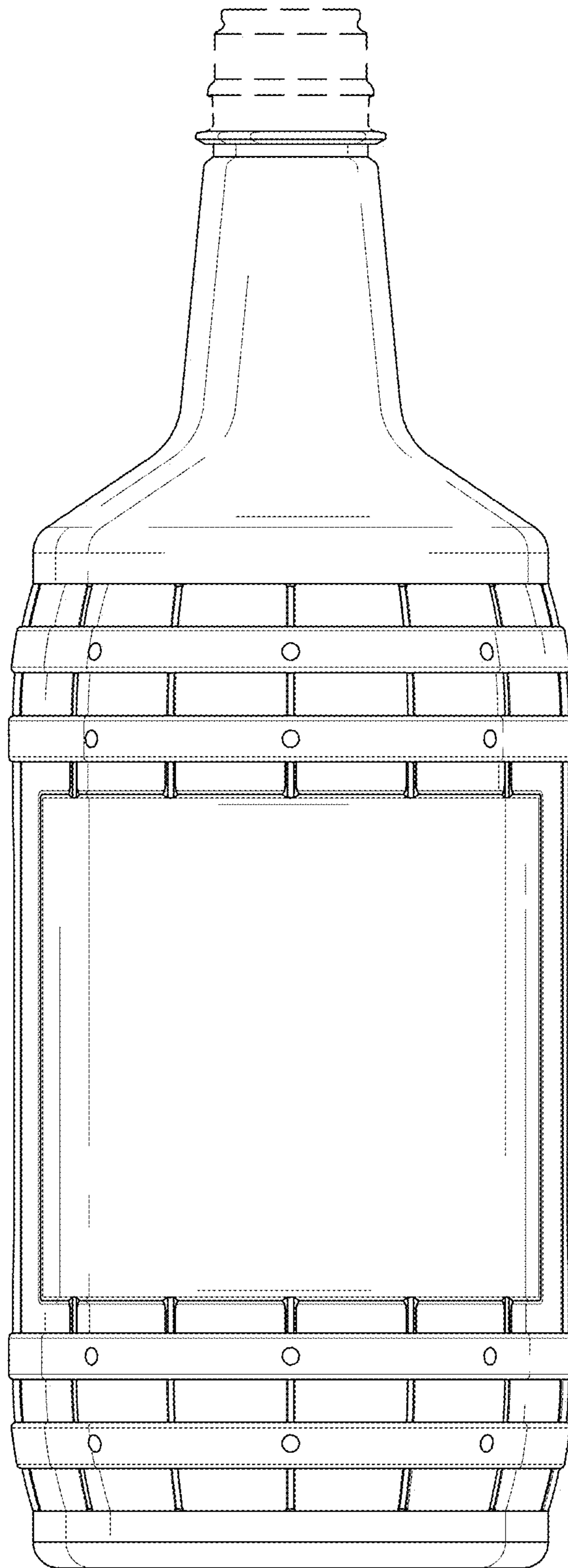


Fig-2

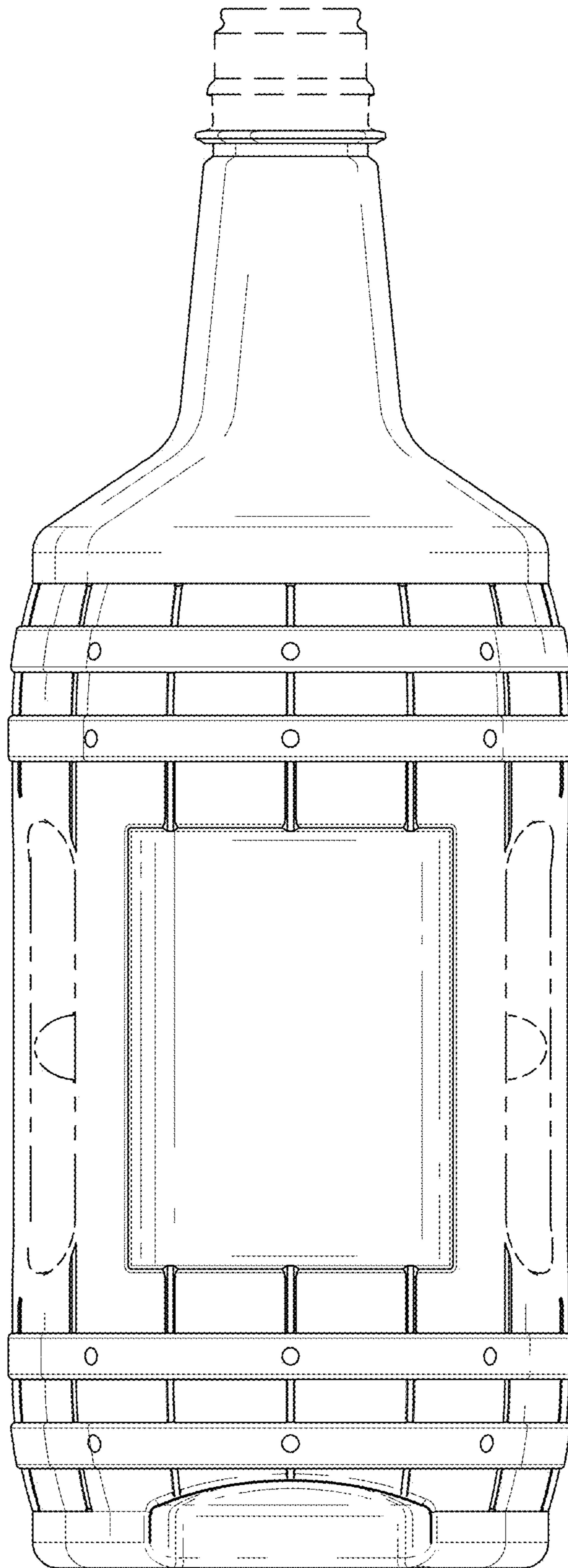


Fig-3

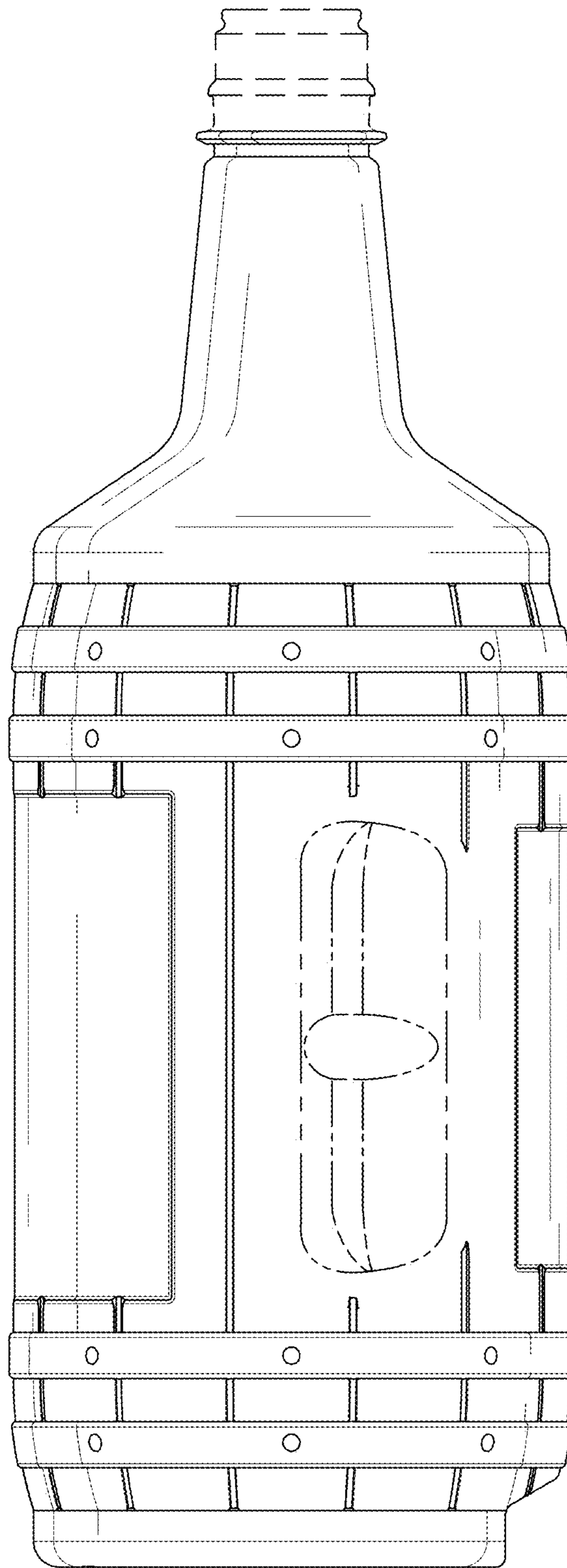


Fig-4



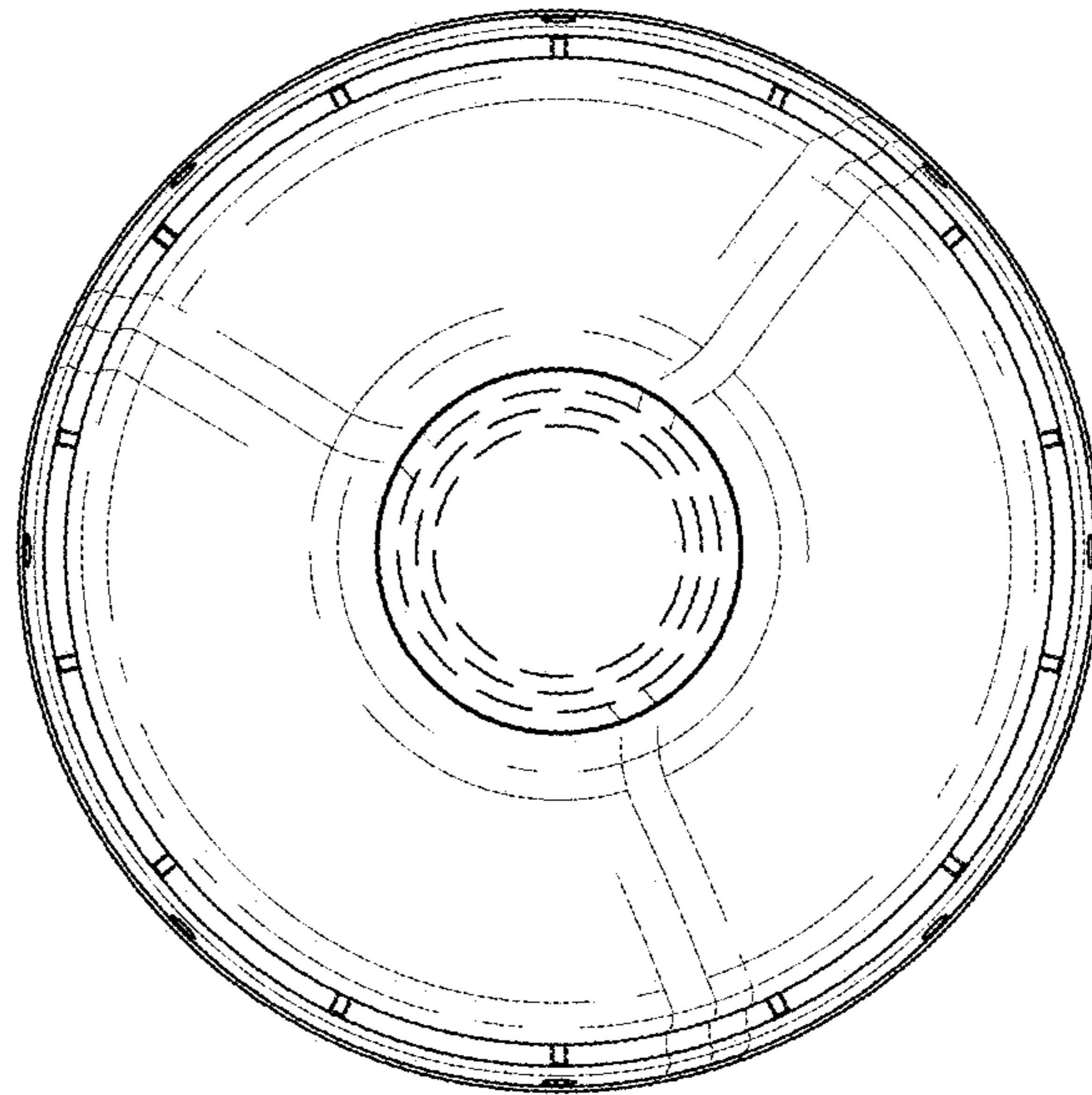


Fig-5