



US00D699581S

(12) **United States Design Patent**  
**Gieske et al.**

(10) **Patent No.:** **US D699,581 S**

(45) **Date of Patent:** **\*\* Feb. 18, 2014**

(54) **DISPENSING CONTAINER FOR LIQUIDS**

(71) Applicant: **McCormick & Company, Incorporated**, Sparks, MD (US)

(72) Inventors: **Thomas Koll Porter Gieske**, Lutherville, MD (US); **David A. Rainey**, Fallston, MD (US); **Donald H. Ankney**, Lexington, KY (US)

(73) Assignee: **McCormick & Company, Incorporated**, Sparks, MD (US)

(\*\*) Term: **14 Years**

(21) Appl. No.: **29/450,184**

(22) Filed: **Mar. 15, 2013**

(51) **LOC (10) Cl.** ..... **09-01**

(52) **U.S. Cl.**  
USPC ..... **D9/516; D9/527; D9/531**

(58) **Field of Classification Search**  
USPC ..... D9/434, 516, 520, 526-528, 530-531, D9/534-536, 575; D8/300, 307, 321; D23/211, 211.1, 211.2, 224-225; 215/384, 396, 398; 220/729, 752, 755, 220/768-769, 771

See application file for complete search history.

(56) **References Cited**

**U.S. PATENT DOCUMENTS**

D47,300 S \* 5/1915 Hickish ..... D29/126  
D417,618 S \* 12/1999 Shanklin et al. .... D9/448  
D458,130 S \* 6/2002 Ronne et al. .... D9/434

D514,940 S \* 2/2006 Darr et al. .... D9/527  
D535,883 S \* 1/2007 Muehlhausen et al. .... D9/534  
D536,984 S \* 2/2007 Muehlhausen et al. .... D9/534  
D579,746 S \* 11/2008 Krumpe ..... D8/307  
D588,896 S \* 3/2009 Ricereto ..... D8/307  
D632,571 S \* 2/2011 Blythe ..... D9/443  
D646,783 S \* 10/2011 Bast et al. .... D24/133  
D670,170 S \* 11/2012 Voelker ..... D9/528  
D678,070 S \* 3/2013 Meeks ..... D9/521

**OTHER PUBLICATIONS**

U.S. Appl. No. 29/450,215, filed Mar. 15, 2013, Gieske, et al.

\* cited by examiner

*Primary Examiner* — Ian Simmons

*Assistant Examiner* — Dana L Meyrow

(74) *Attorney, Agent, or Firm* — Oblon, Spivak, McClelland, Maier & Neustadt, L.L.P.

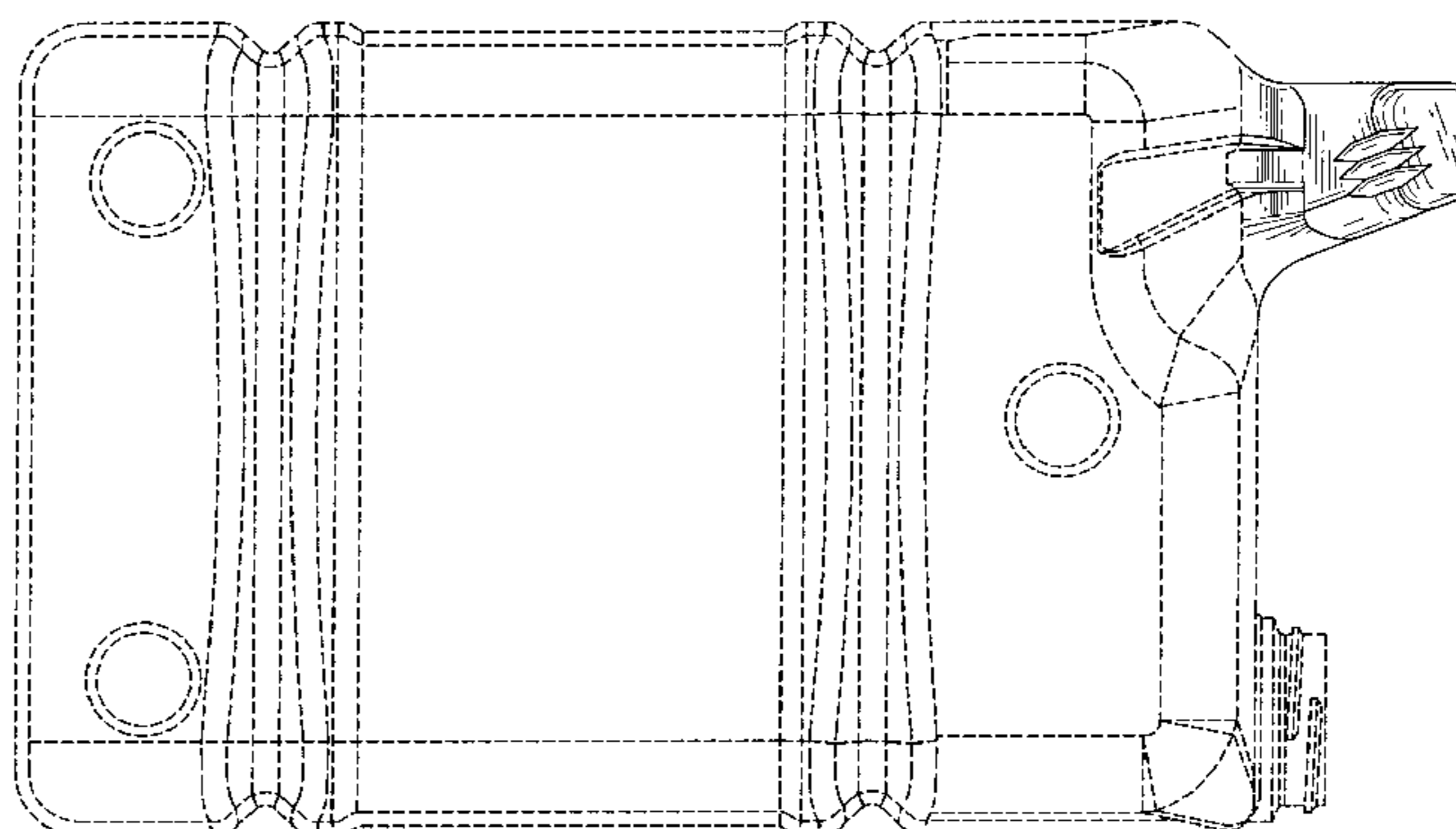
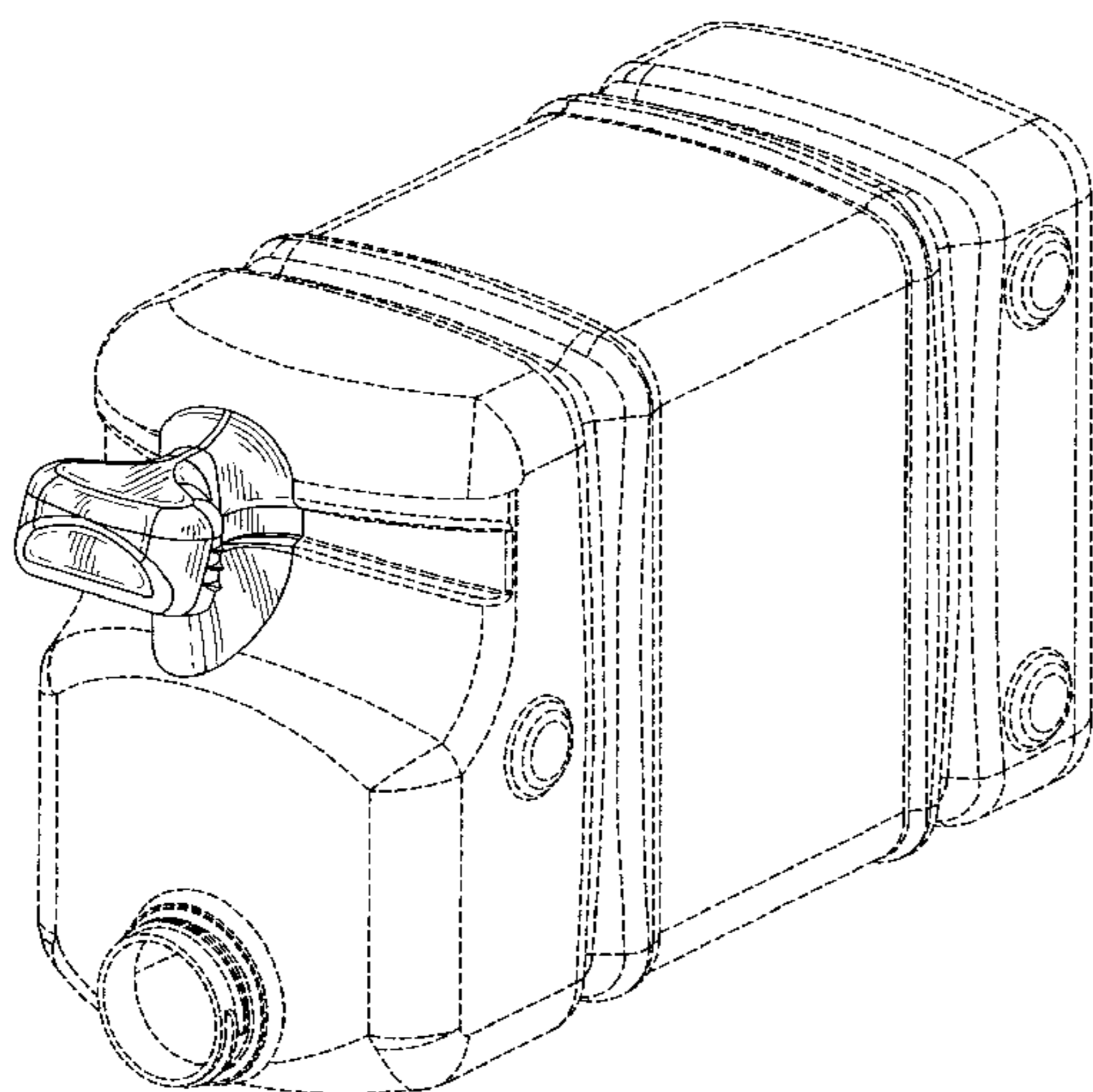
(57) **CLAIM**

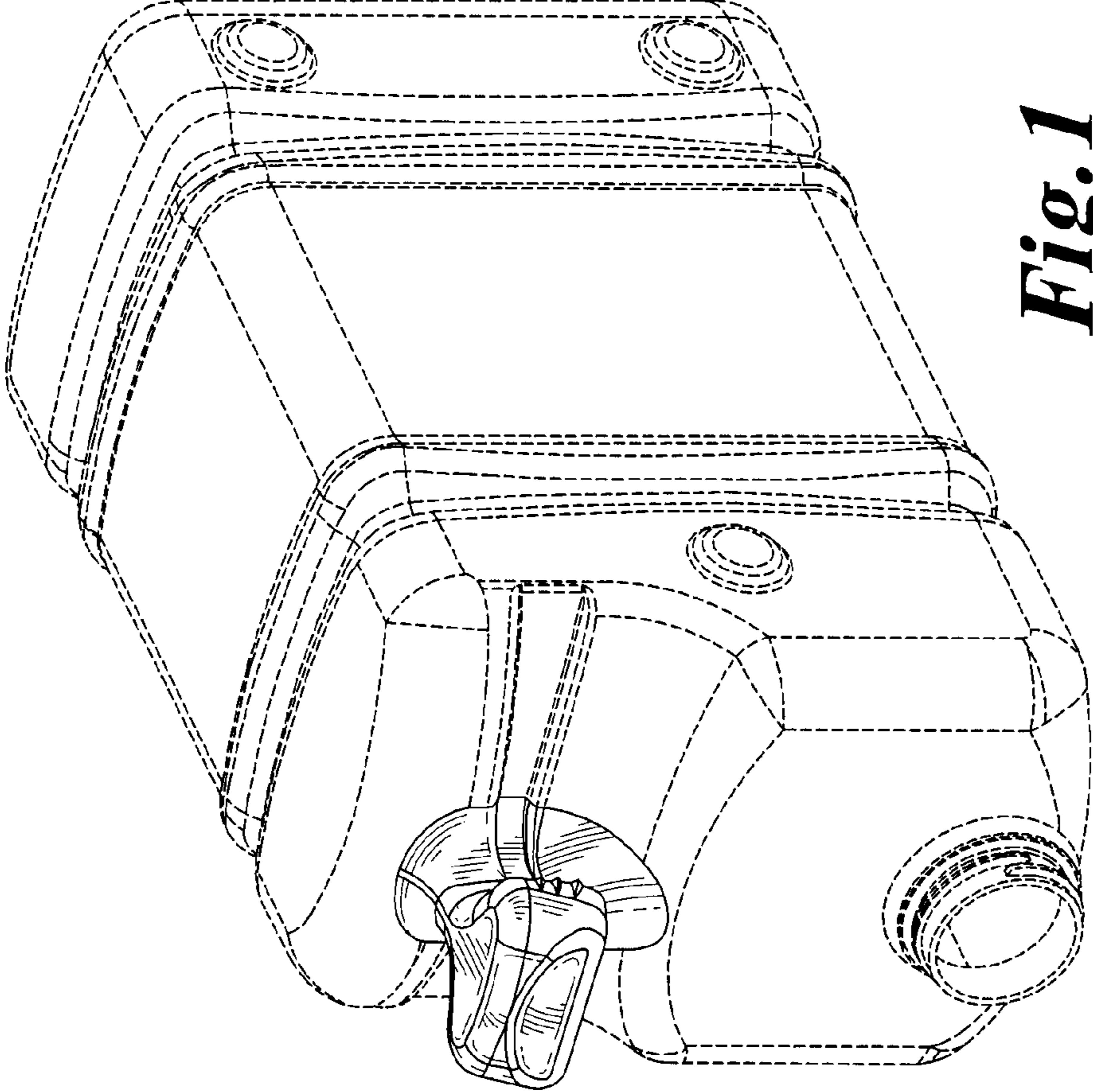
The ornamental design for a dispensing container for liquids, as shown and described.

**DESCRIPTION**

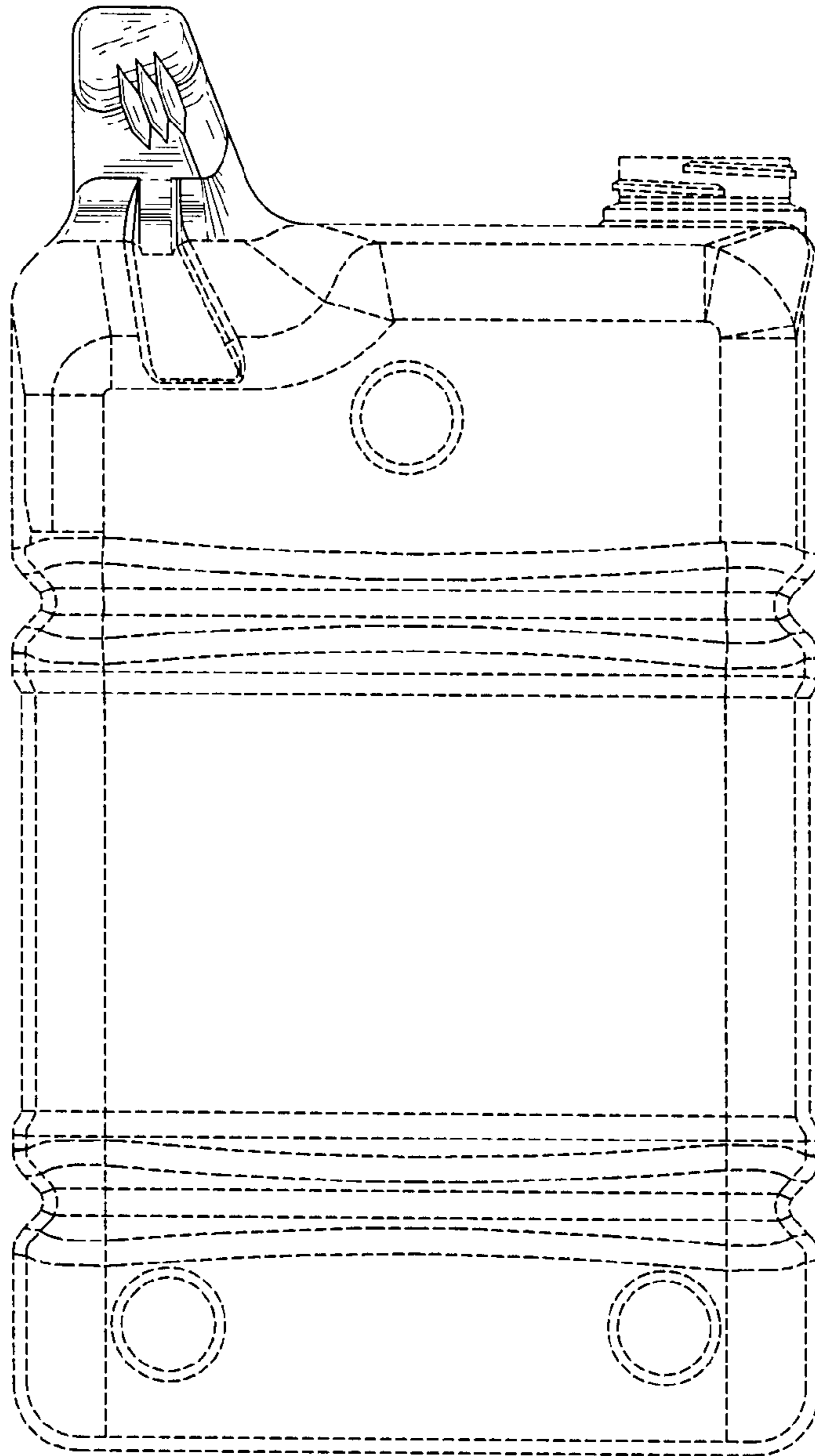
FIG. 1 is a front, top, and right side perspective view of a dispensing container for liquids;  
FIG. 2 is a left side elevational view thereof;  
FIG. 3 is a right side elevational view thereof;  
FIG. 4 is a top plan view thereof;  
FIG. 5 is a bottom plan view thereof;  
FIG. 6 is a front elevational view thereof; and,  
FIG. 7 is a rear elevational view thereof.  
The broken lines in the drawings depict environmental subject matter only and form no part of the claimed design.

**1 Claim, 6 Drawing Sheets**

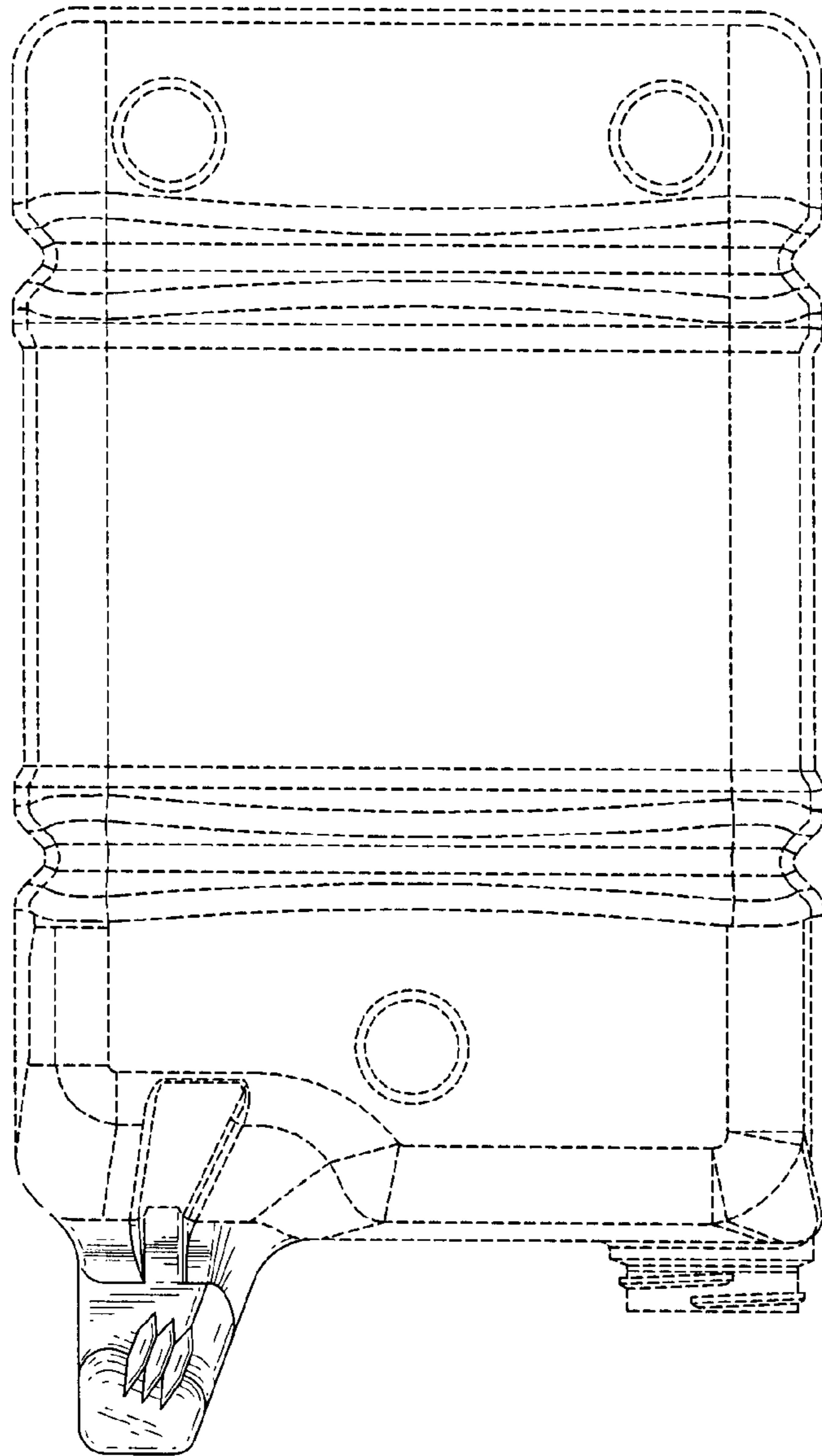




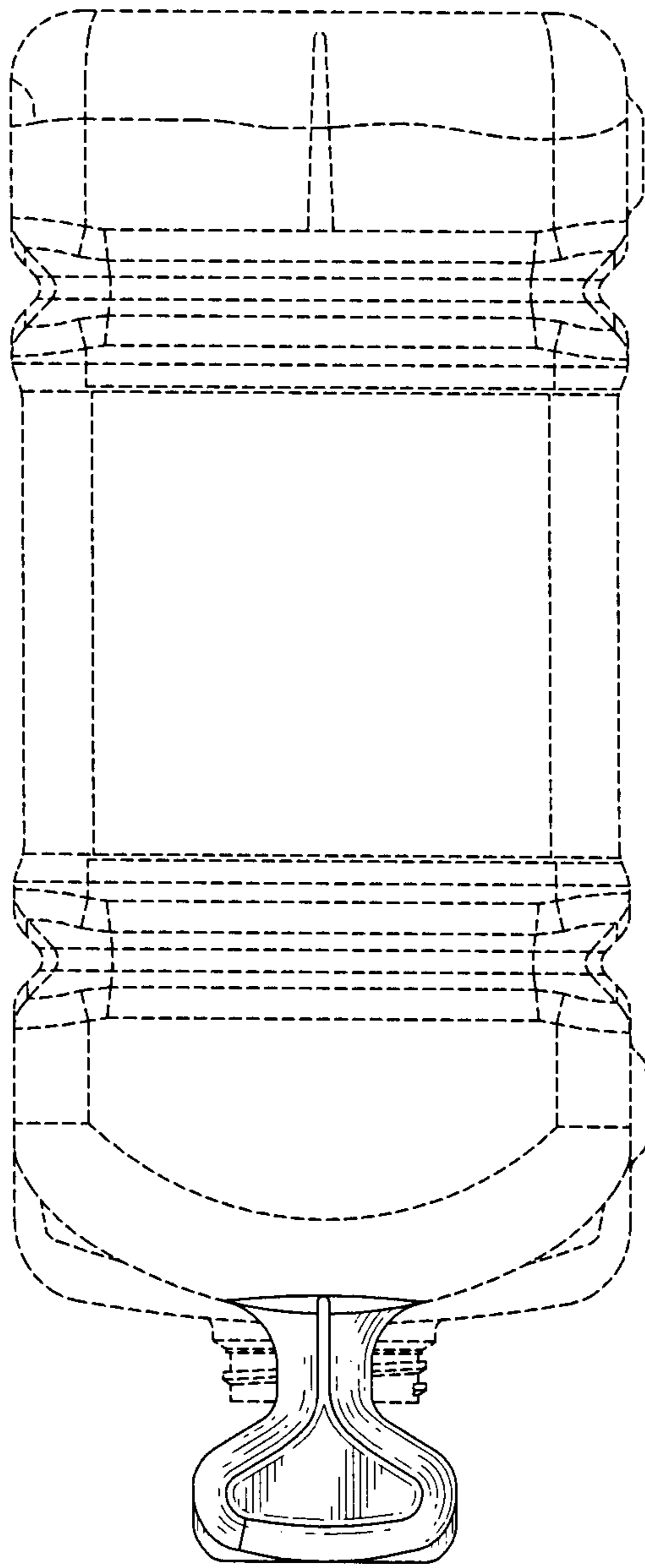
**Fig. 1**



**Fig. 2**

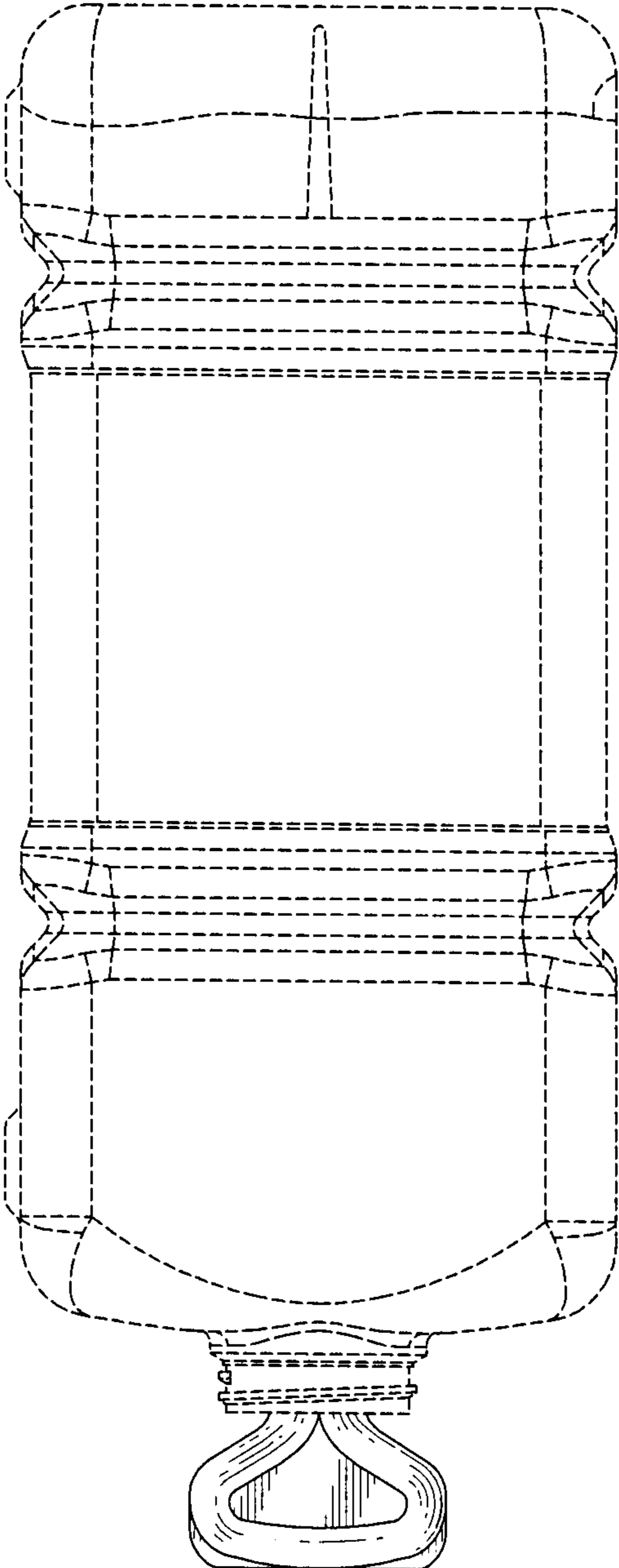


**Fig. 3**

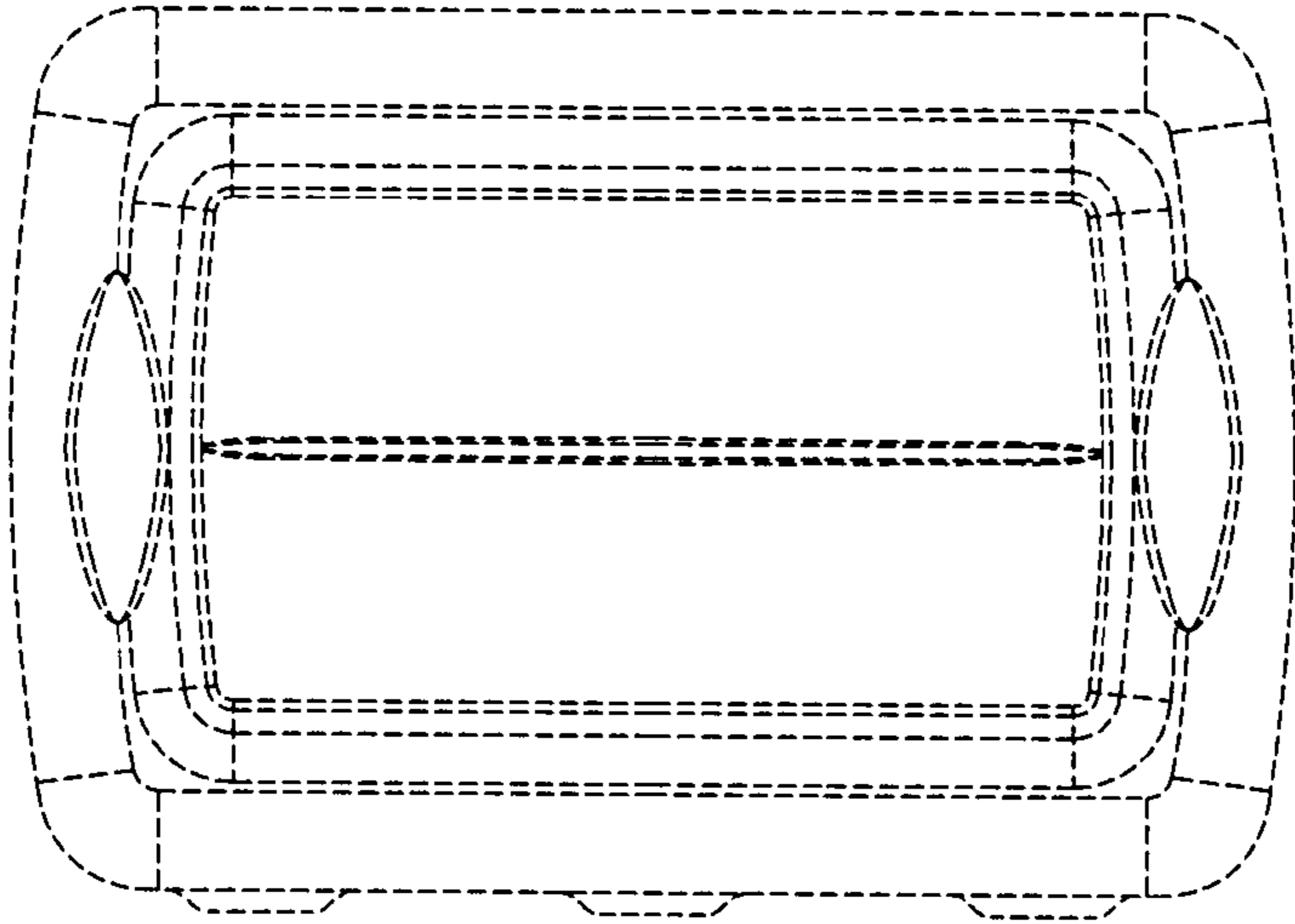


**Fig. 4**

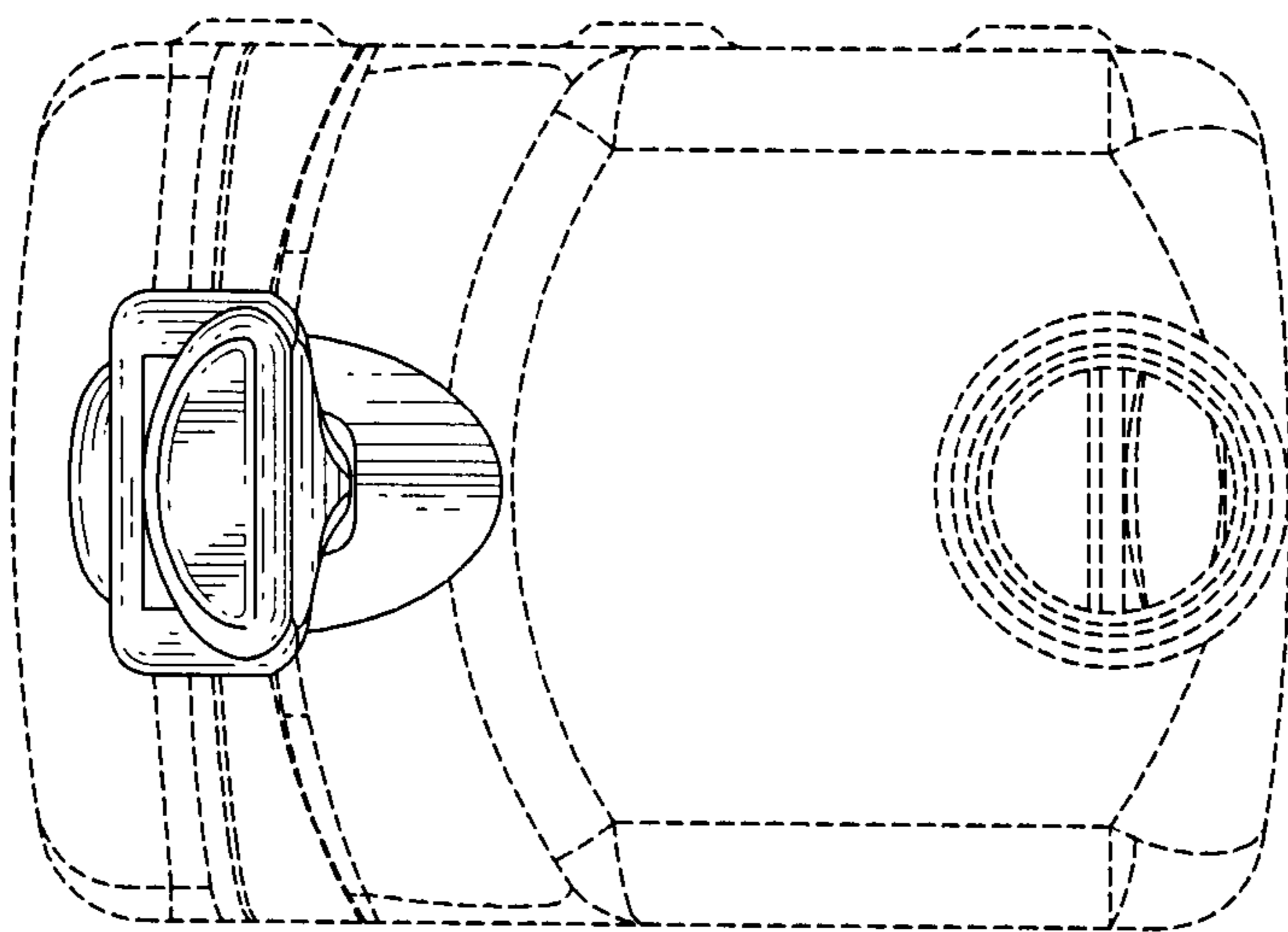




**Fig. 5**



**Fig. 7**



**Fig. 6**