



US00D699580S

(12) **United States Design Patent**
Eaton et al.

(10) **Patent No.:** **US D699,580 S**
(45) **Date of Patent:** **** Feb. 18, 2014**

(54) **BOTTLE**

(75) Inventors: **William R. Eaton**, Southbury, CT (US);
Richard Kraft, Shorewood, IL (US);
Sean Horita, Woodinville, WA (US);
Rohit Joshi, Ann Arbor, MI (US); **Ryan Maloney**, Seattle, WA (US); **Jay Ostby**, Seattle, WA (US); **David Schlesinger**, Seattle, WA (US); **Mark A. Woloszyk**, Clinton, MI (US); **Guizhang Zheng**, Ann Arbor, MI (US)

(73) Assignee: **PepsiCo, Inc.**, Purchase, NY (US)

(**) Term: **14 Years**

(21) Appl. No.: **29/429,842**

(22) Filed: **Aug. 17, 2012**

(51) **LOC (10) Cl.** **09-01**

(52) **U.S. Cl.**
USPC **D9/516; D9/537; D9/552**

(58) **Field of Classification Search**
USPC **D9/516, 530, 537-540, 549-550, 552, D9/556-558, 571, 575; 215/379, 381-384; 220/660, 662, 669-673, 675**
See application file for complete search history.

(56) **References Cited**

U.S. PATENT DOCUMENTS

D224,383 S	7/1972	Mascia et al.	
D226,179 S *	1/1973	Bystedt et al.	D9/775
D227,862 S *	7/1973	Mascia et al.	D9/775
D303,930 S	10/1989	Durand	
D379,154 S	5/1997	Cox	
D381,272 S	7/1997	Coons	
D383,679 S	9/1997	Wilson et al.	
D429,166 S	8/2000	Ogg	
D447,061 S *	8/2001	Peek	D9/549
D455,964 S	4/2002	Patterson	
D466,415 S	12/2002	Reis	

D496,280 S *	9/2004	Mero et al.	D9/538
D503,341 S	3/2005	Delmotte	
D509,746 S	9/2005	Mero et al.	
D510,025 S	9/2005	Venkataraman et al.	
D525,132 S *	7/2006	Todd	D9/516
D532,314 S	11/2006	Todd	
D553,504 S	10/2007	Goto et al.	
D556,579 S	12/2007	Goto et al.	
D558,582 S	1/2008	Venkataraman et al.	
D560,500 S *	1/2008	Venkataraman et al.	D9/538
D561,597 S	2/2008	Venkataraman et al.	
D561,598 S	2/2008	Dellevigne	
D565,961 S	4/2008	Dellevigne	
D568,158 S	5/2008	Dellevigne	
D568,159 S	5/2008	Dellevigne	
D568,166 S	5/2008	Dellevigne	
D569,255 S *	5/2008	Venkataraman et al.	D9/516
D569,256 S *	5/2008	Venkataraman et al.	D9/516
D570,220 S	6/2008	Venkataraman et al.	

(Continued)

Primary Examiner — Ian Simmons

Assistant Examiner — Dana L Meyrow

(74) *Attorney, Agent, or Firm* — Banner & Witcoff, Ltd.

(57) **CLAIM**

The ornamental design for a bottle, as shown and described.

DESCRIPTION

FIG. 1 is a top, front, right perspective view of a bottle showing our new design;

FIG. 2 is a front view thereof;

FIG. 3 is a right side view thereof;

FIG. 4 is a rear view thereof;

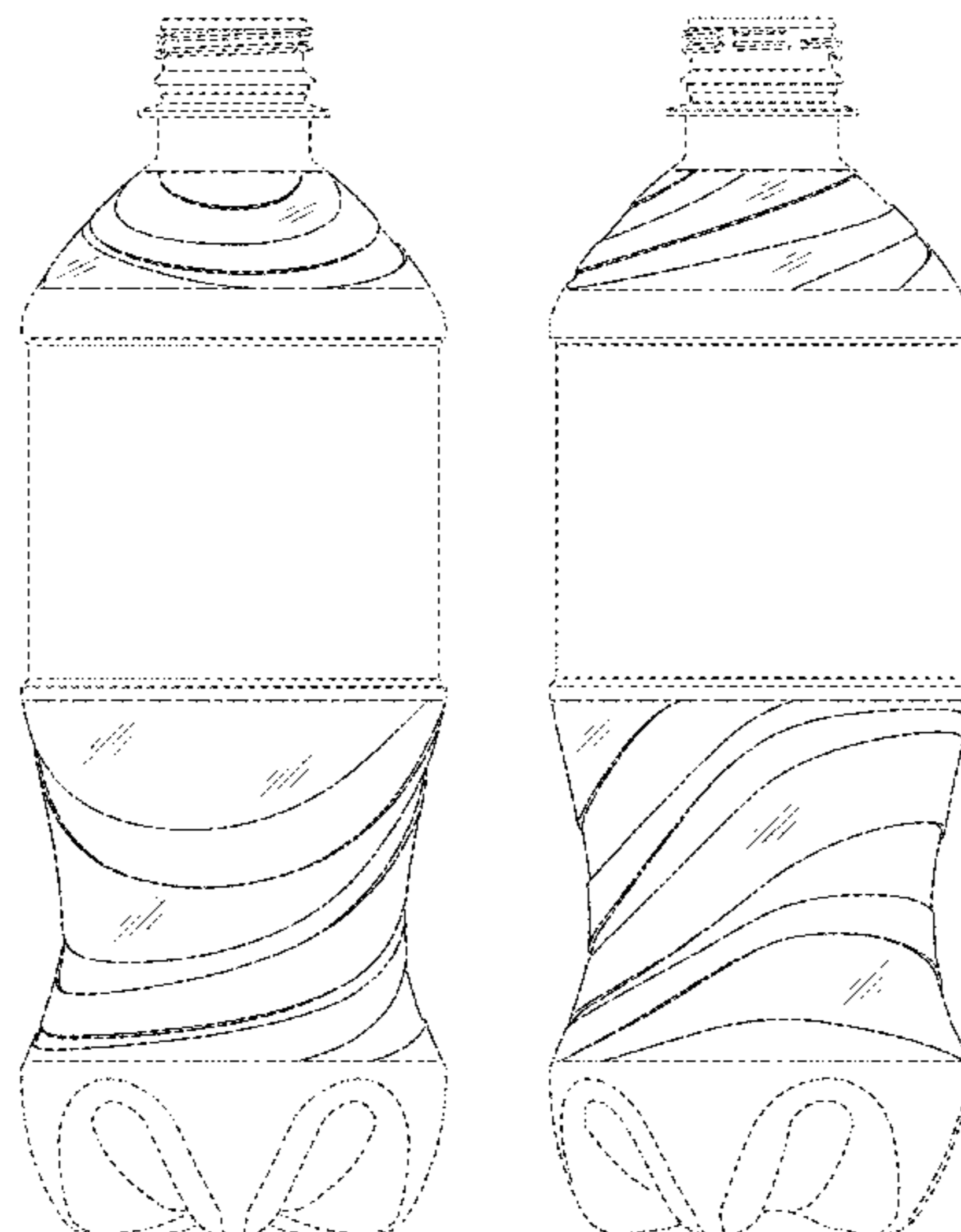
FIG. 5 is a left side view thereof;

FIG. 6 is a top view thereof; and,

FIG. 7 is a bottom view thereof.

The uneven-length broken lines represent unclaimed boundaries of the claimed design. The even-length broken lines showing the remainder of the bottle are for environmental purposes only and form no part of the claimed design.

1 Claim, 4 Drawing Sheets



(56)

References Cited

U.S. PATENT DOCUMENTS

D570,691 S *	6/2008	Robbins et al.	D9/516	D581,799 S	12/2008	Bourne
D570,693 S	6/2008	Venkataraman et al.		D582,780 S	12/2008	Bourne
D570,694 S *	6/2008	Venkataraman et al.	D9/516	D584,628 S	1/2009	Lepoitevin
D570,695 S *	6/2008	Venkataraman et al.	D9/516	D589,804 S	4/2009	Lovelace, Jr. et al.
D571,215 S *	6/2008	Venkataraman et al.	D9/516	D602,782 S	10/2009	Lepoitevin
D571,668 S	6/2008	Dellevigne		D604,169 S	11/2009	Melossi
D573,029 S *	7/2008	Venkataraman et al.	D9/538	D609,105 S	2/2010	Tiefenback
D573,472 S *	7/2008	Venkataraman et al.	D9/516	D612,733 S	3/2010	Eugui et al.
D576,042 S	9/2008	Dellevigne		D616,762 S	6/2010	Caldwell et al.
D576,049 S	9/2008	Trollope et al.		D621,264 S	8/2010	Williams
D576,886 S	9/2008	Venkataraman et al.		D621,276 S	8/2010	Bourne
				D621,711 S	8/2010	Williams
				D623,950 S	9/2010	Eugui et al.
				D623,951 S	9/2010	Eugui et al.

* cited by examiner

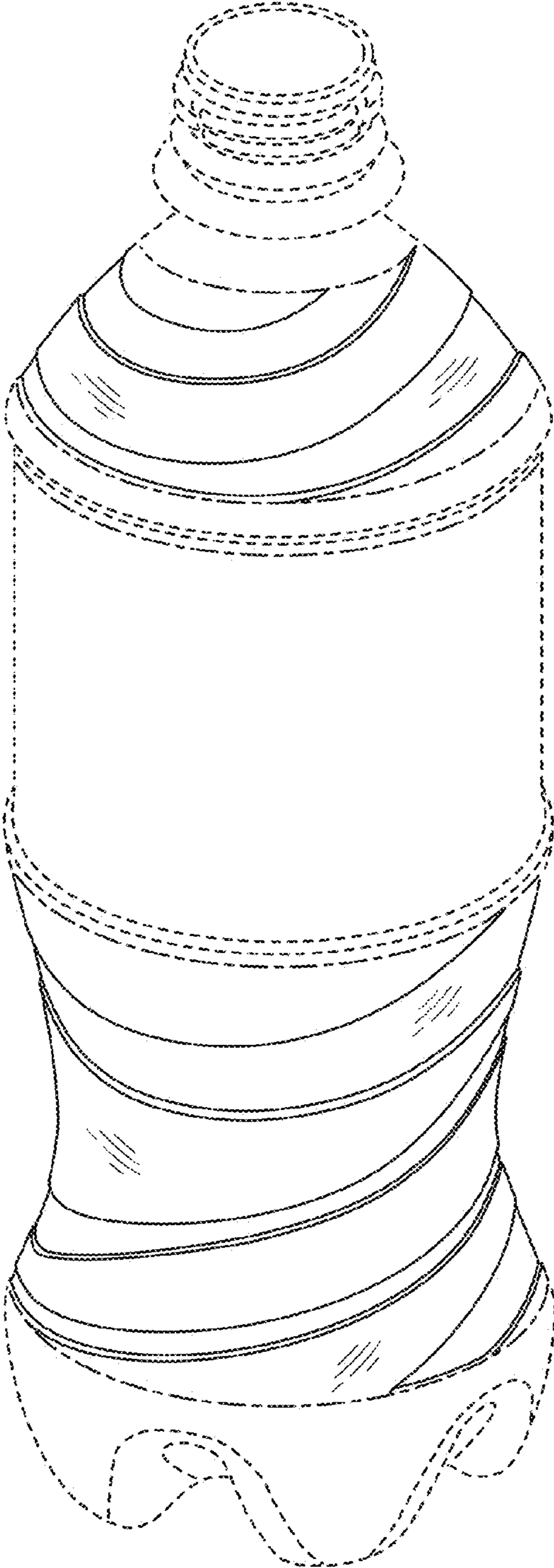


Fig. 1

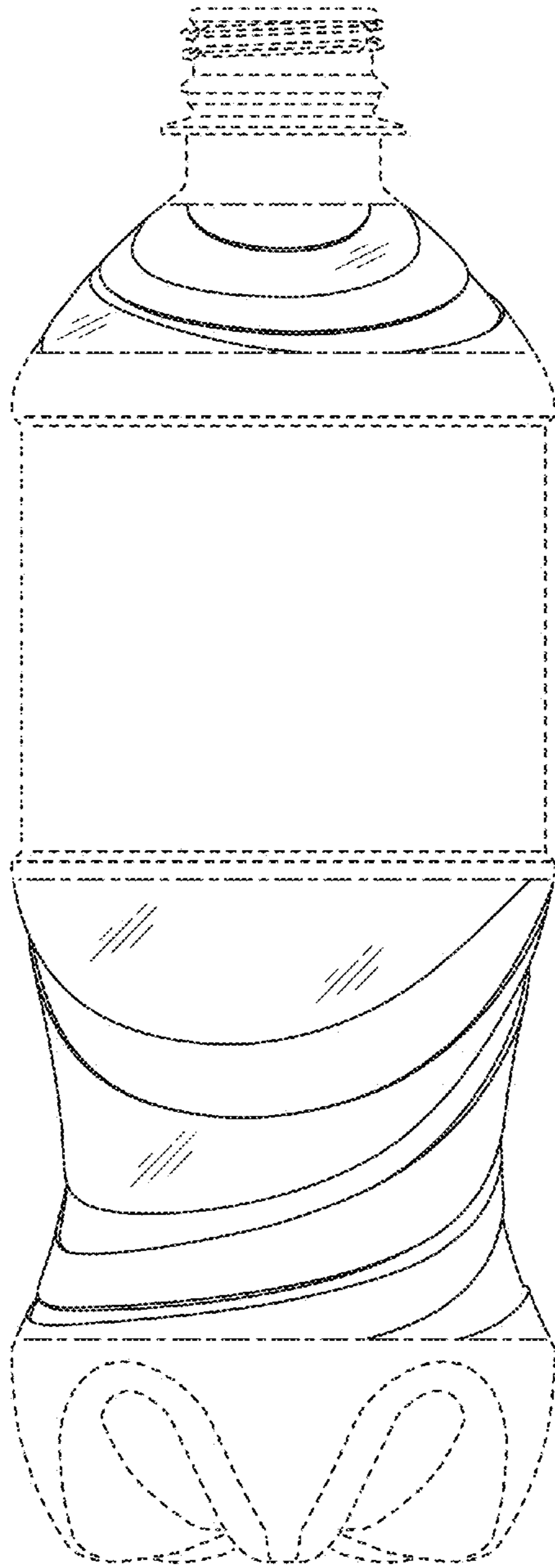


Fig. 2

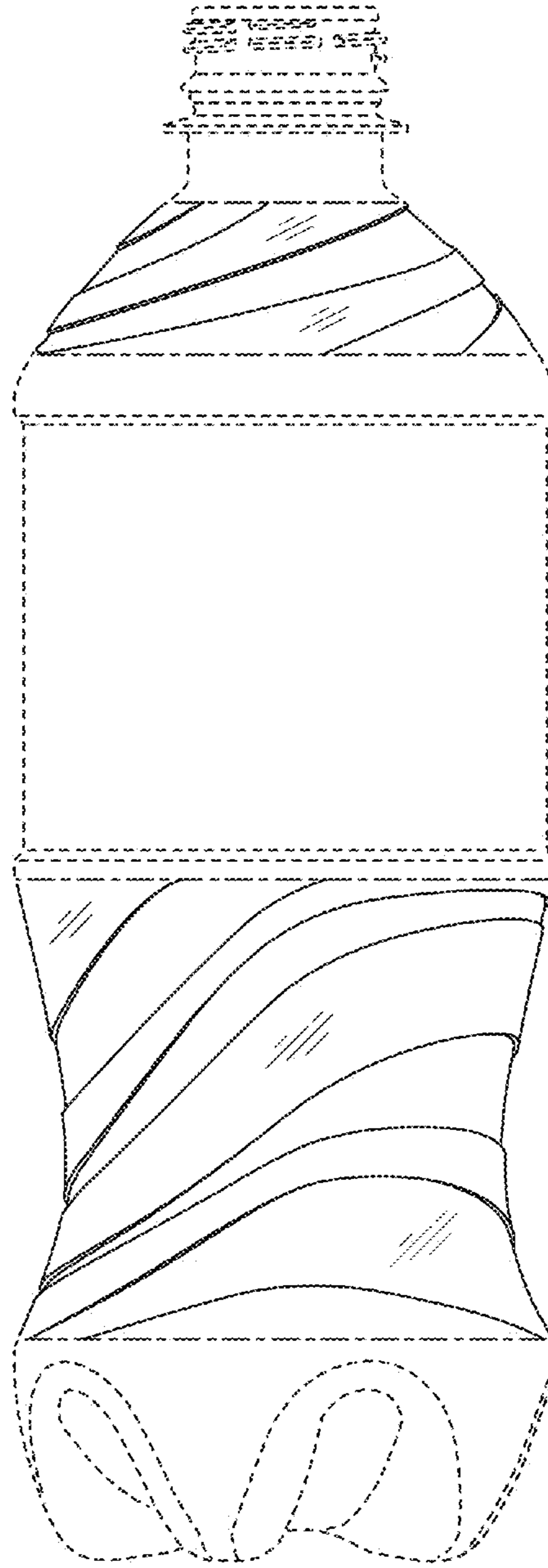


Fig. 3

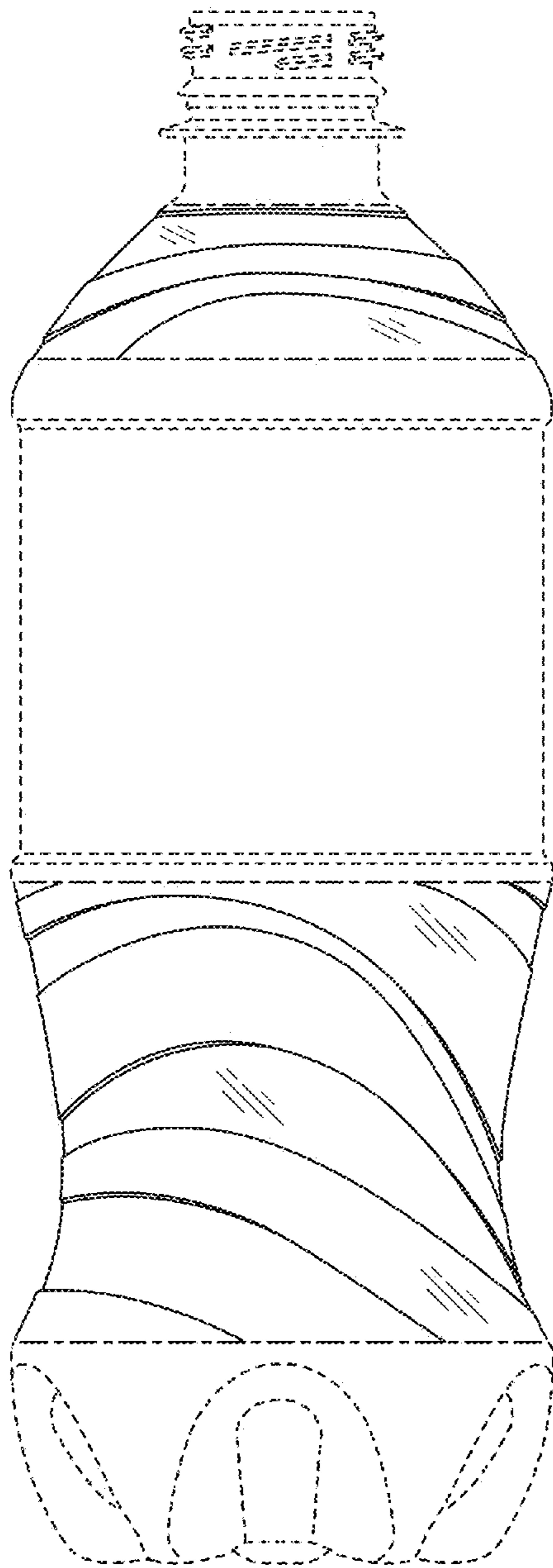


Fig. 4

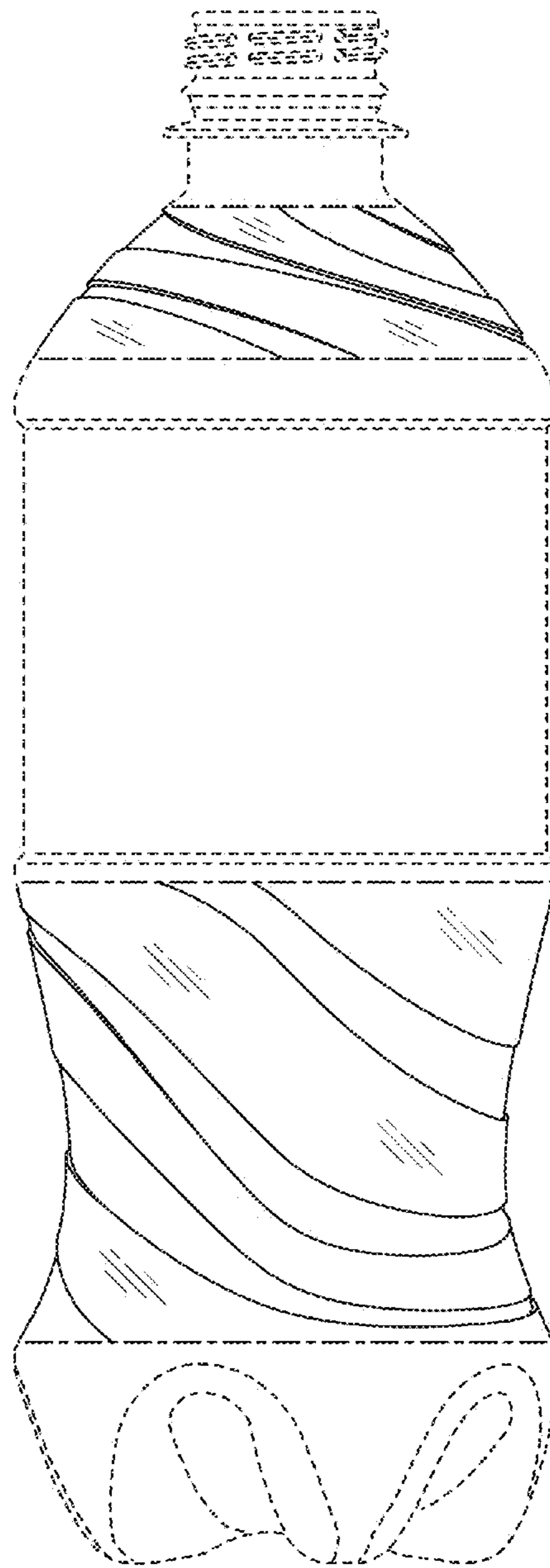


Fig. 5

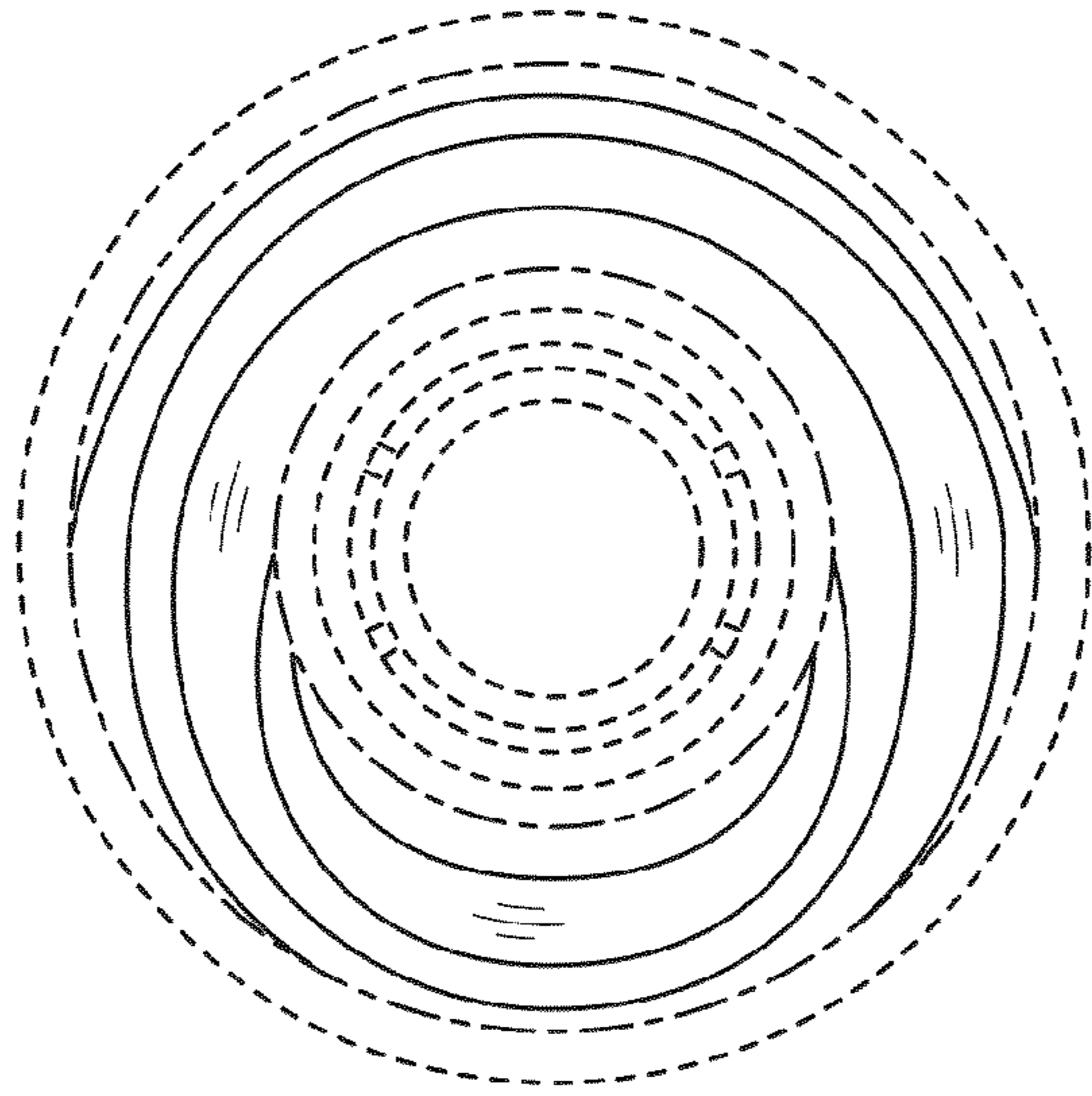


Fig. 6

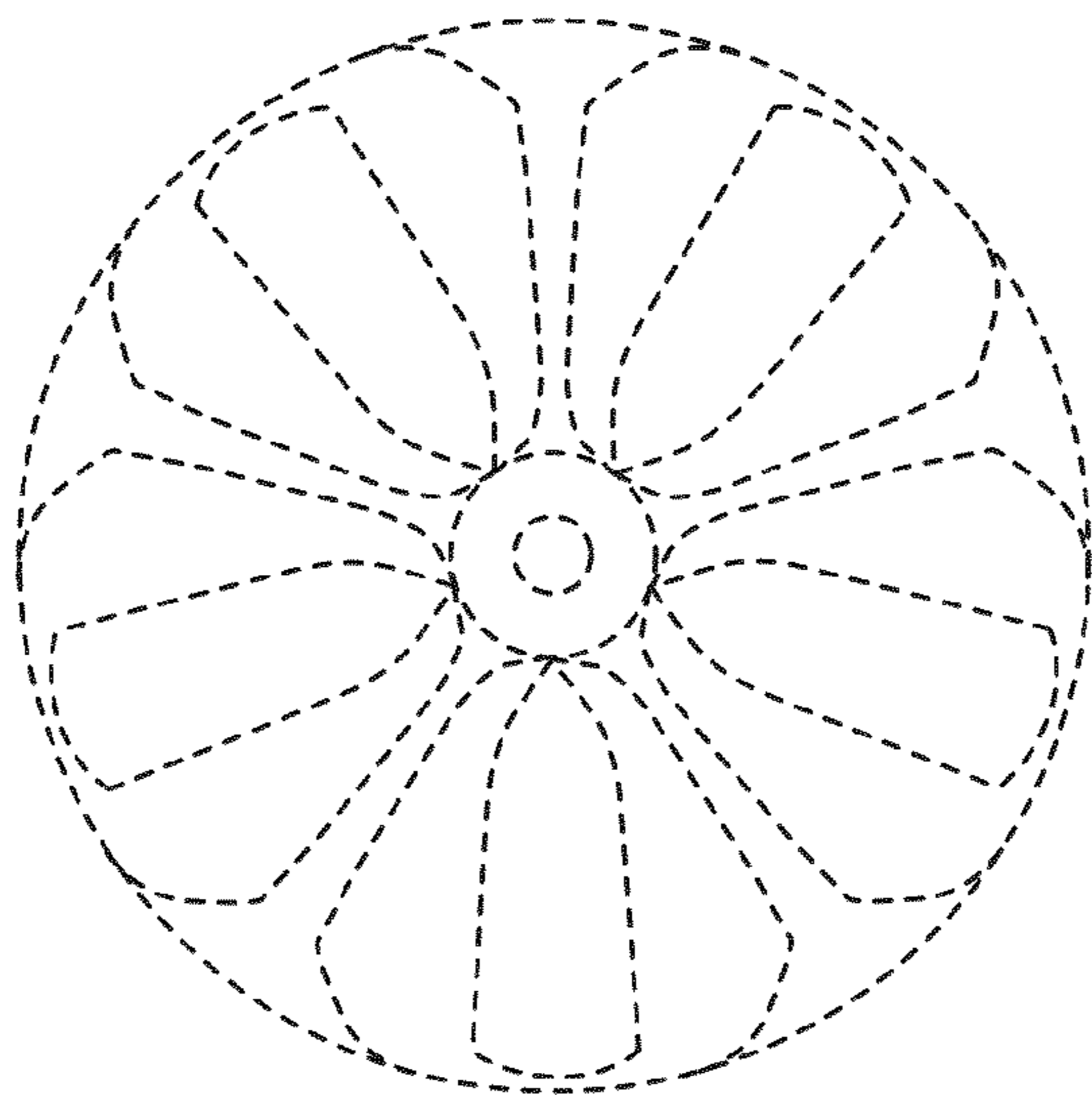


Fig. 7