



US00D699578S

(12) **United States Design Patent**  
**Marina et al.**

(10) **Patent No.:** **US D699,578 S**

(45) **Date of Patent:** **\*\* \*Feb. 18, 2014**

(54) **POD**

(71) Applicant: **PepsiCo, Inc.**, Purchase, NY (US)

(72) Inventors: **Carlos Herman Marina**, Deerfield Beach, FL (US); **Jorge Manuel Maquita Nakano**, Distrito Federal (MX); **Tucker Fort**, Brooklyn, NY (US); **Paul Katz**, New York, NY (US); **Jacob Pamborg**, New York, NY (US); **Christopher R. Xydis**, New York, NY (US)

(73) Assignee: **PepsiCo, Inc.**, Purchase, NY (US)

(\*) Notice: This patent is subject to a terminal disclaimer.

(\*\*) Term: **14 Years**

(21) Appl. No.: **29/460,539**

(22) Filed: **Jul. 11, 2013**

(51) **LOC (10) Cl.** ..... **09-01**

(52) **U.S. Cl.**  
USPC ..... **D9/500; D9/519**

(58) **Field of Classification Search**  
USPC ..... D9/500, 502-505, 516, 529, 549, 558, D9/682, 686, 688-691, 779-780; D28/4, D28/76-77; 215/379, 381-382; 220/660, 220/669-673, 675

See application file for complete search history.

(56) **References Cited**

U.S. PATENT DOCUMENTS

D105,671	S	*	8/1937	Noble	.....	D9/556
2,981,431	A	*	4/1961	Schluttig	.....	215/329
D235,193	S	*	5/1975	Edwards	.....	D9/500
D289,259	S	*	4/1987	Strand	.....	D9/501
D298,592	S	*	11/1988	Stoop	.....	D9/500
D392,032	S	*	3/1998	Zaragoza et al.	.....	D23/369
D474,978	S	*	5/2003	Varlet	.....	D9/549
D532,305	S	*	11/2006	Fellows et al.	.....	D9/503
D610,009	S	*	2/2010	Prufer	.....	D9/504
D622,835	S	*	8/2010	Mendheim	.....	D23/364
D671,410	S	*	11/2012	Asakawa	.....	D9/519
D675,102	S	*	1/2013	Crowe	.....	D9/645
2010/0055252	A1		3/2010	Marina et al.		
2011/0166910	A1		7/2011	Marina et al.		
2012/0183657	A1		7/2012	Marina et al.		

FOREIGN PATENT DOCUMENTS

WO 2013/103589 7/2013

\* cited by examiner

*Primary Examiner* — Ian Simmons

*Assistant Examiner* — Dana L Meyrow

(74) *Attorney, Agent, or Firm* — Banner & Witcoff, Ltd.

(57) **CLAIM**

The ornamental design for a pod, as shown and described.

**DESCRIPTION**

FIG. 1 is a front perspective view of a pod showing our new design;

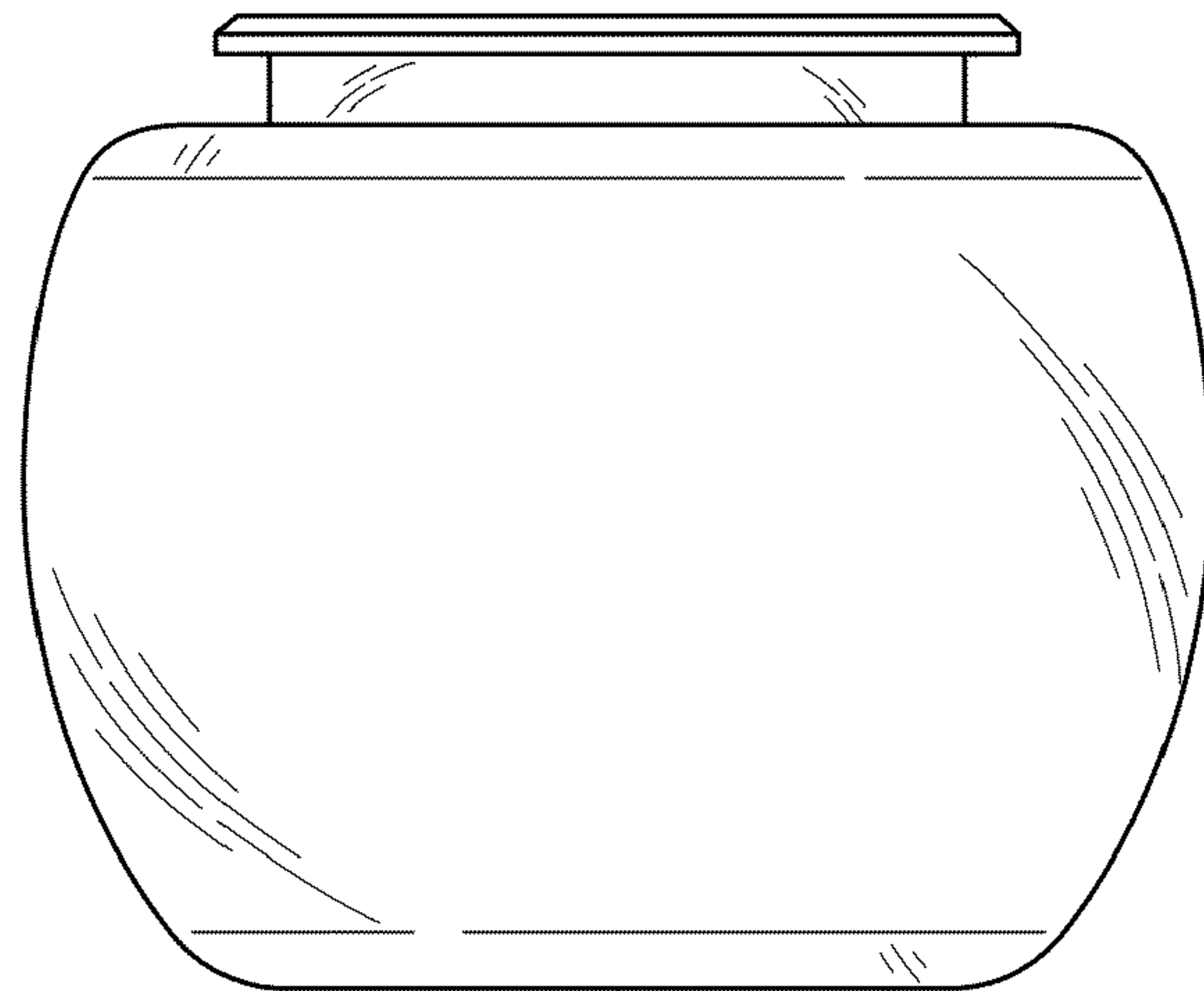
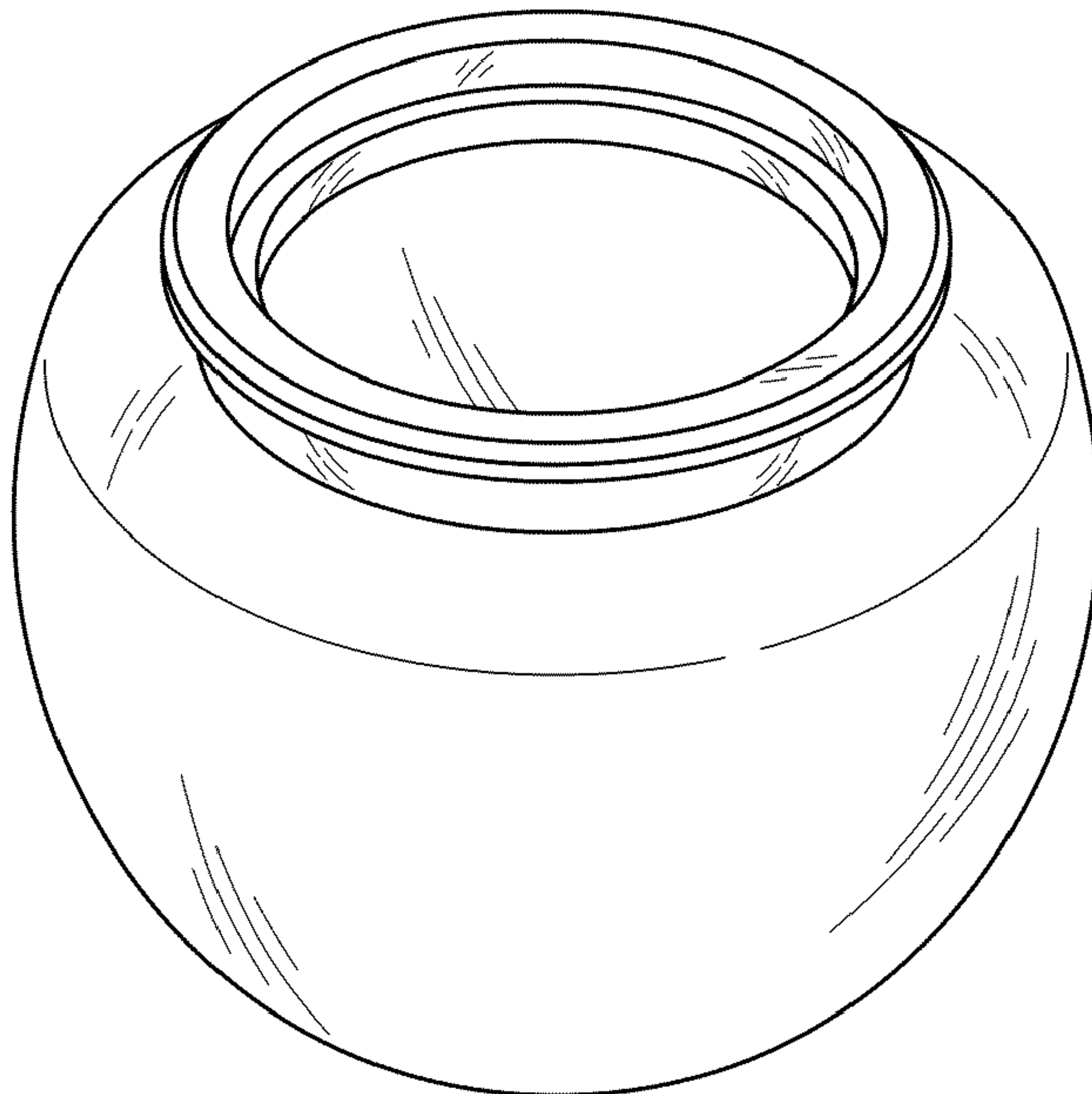
FIG. 2 is a front view thereof;

FIG. 3 is a right side view thereof;

FIG. 4 is a rear view thereof; and,

FIG. 5 is a left side view thereof.

**1 Claim, 2 Drawing Sheets**



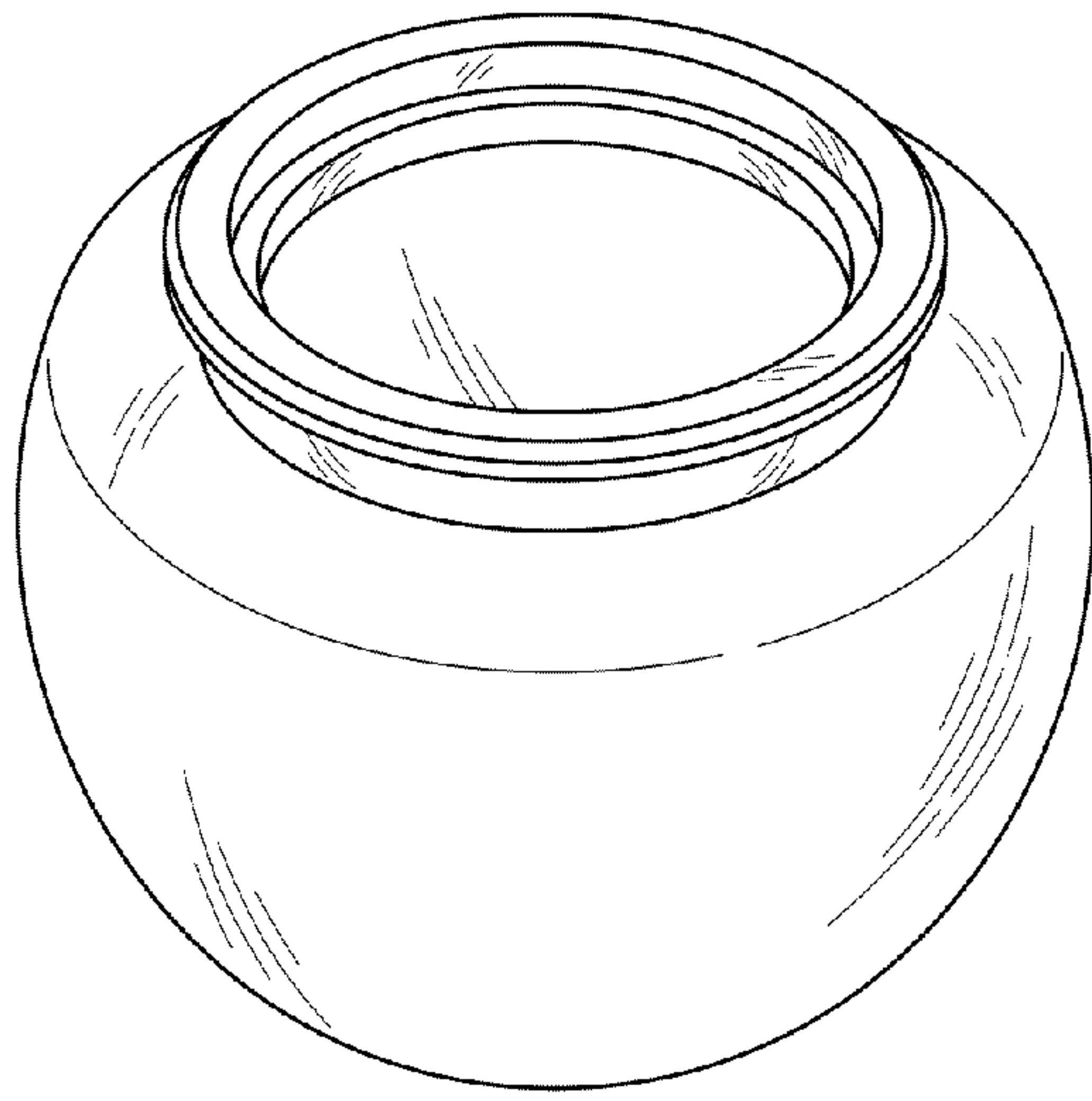


FIG. 1

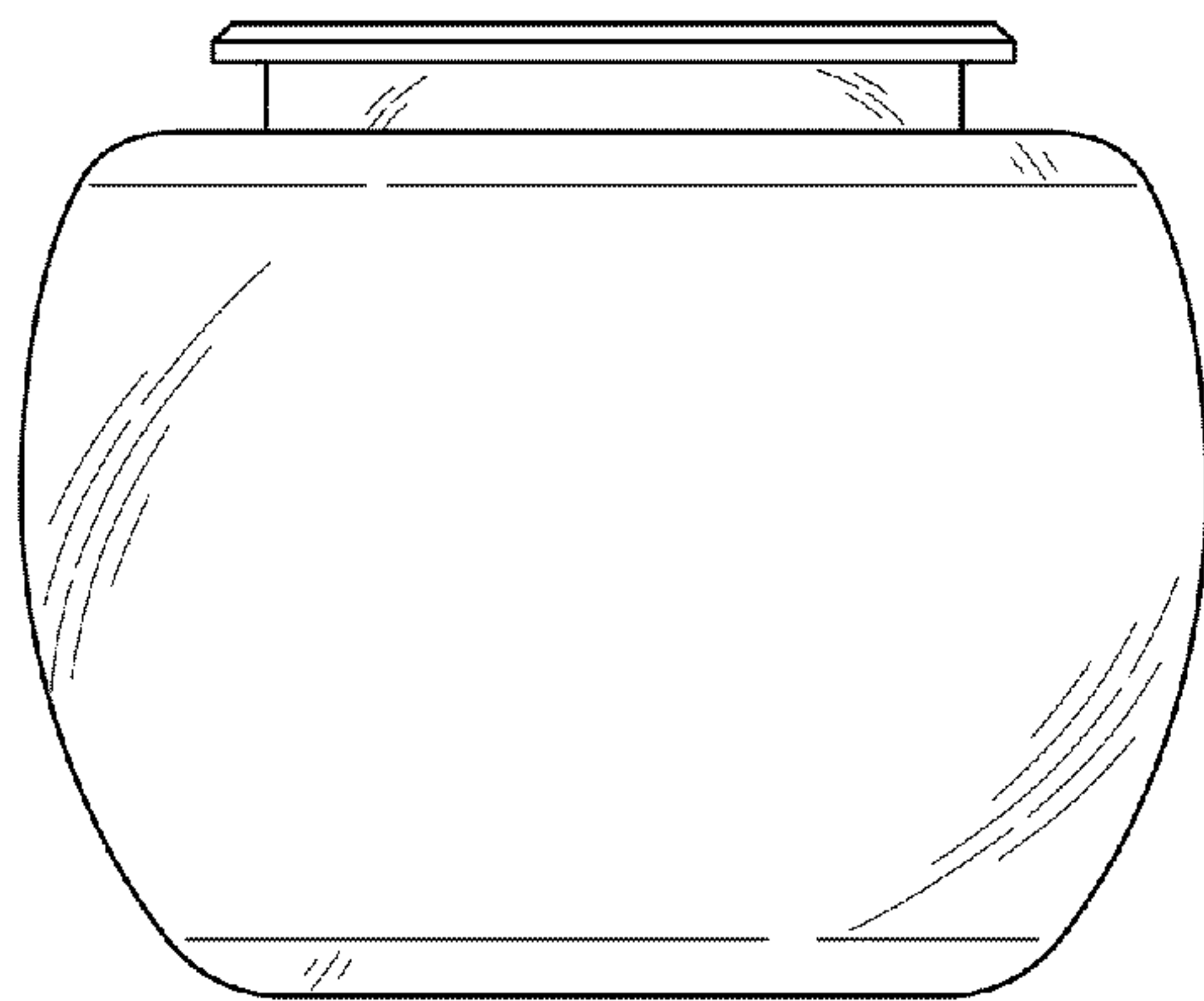


FIG. 2

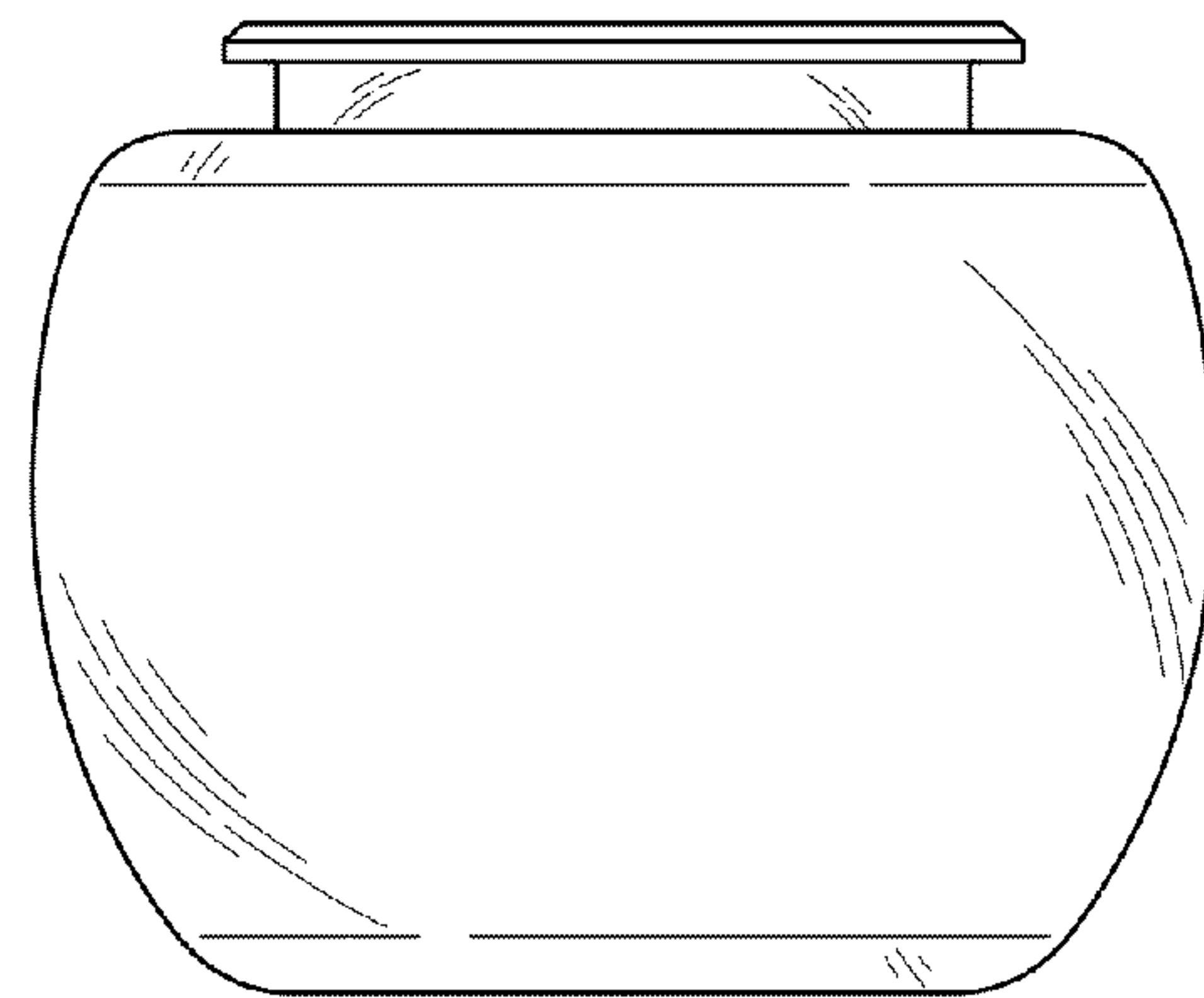


FIG. 3

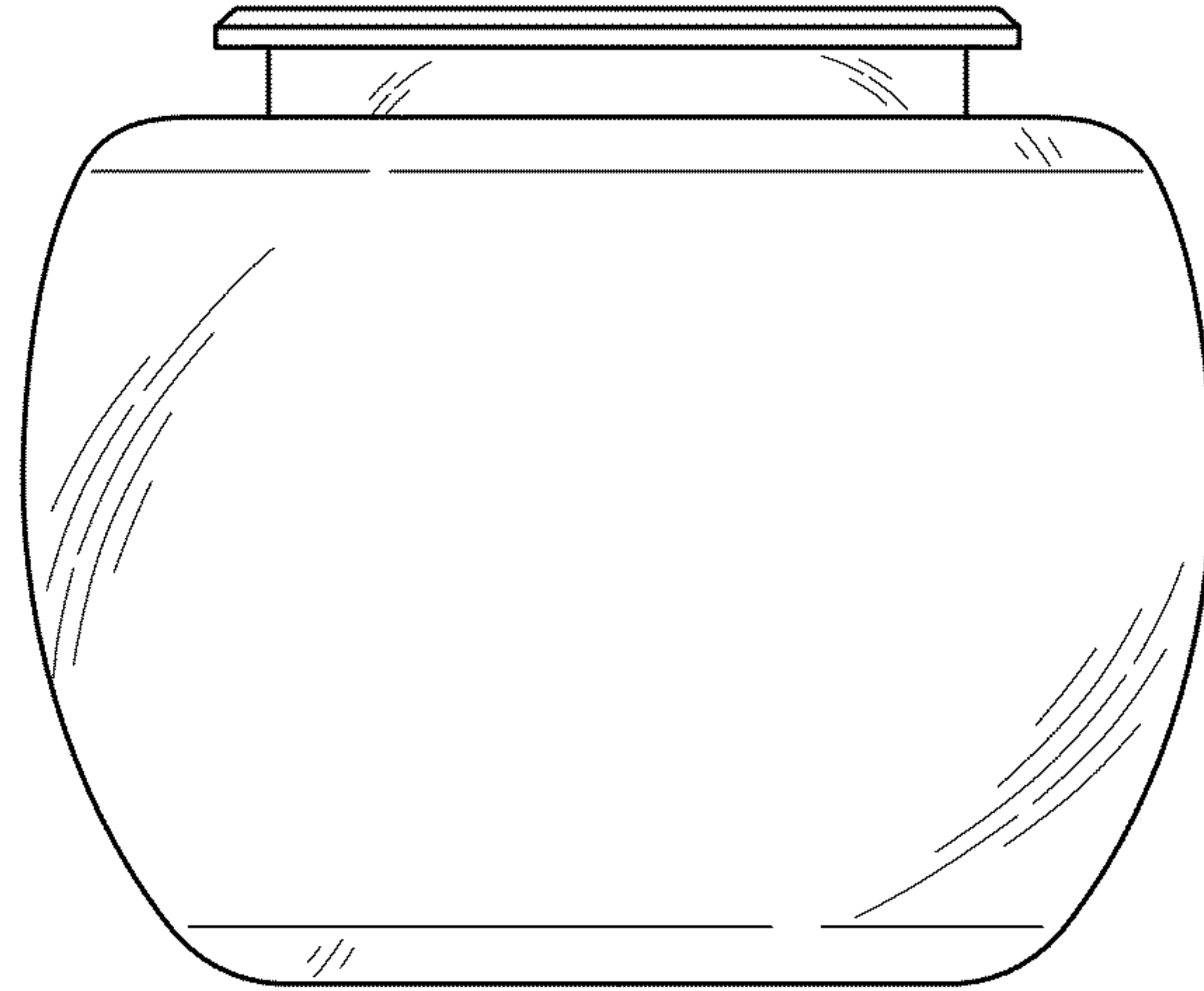


FIG. 4

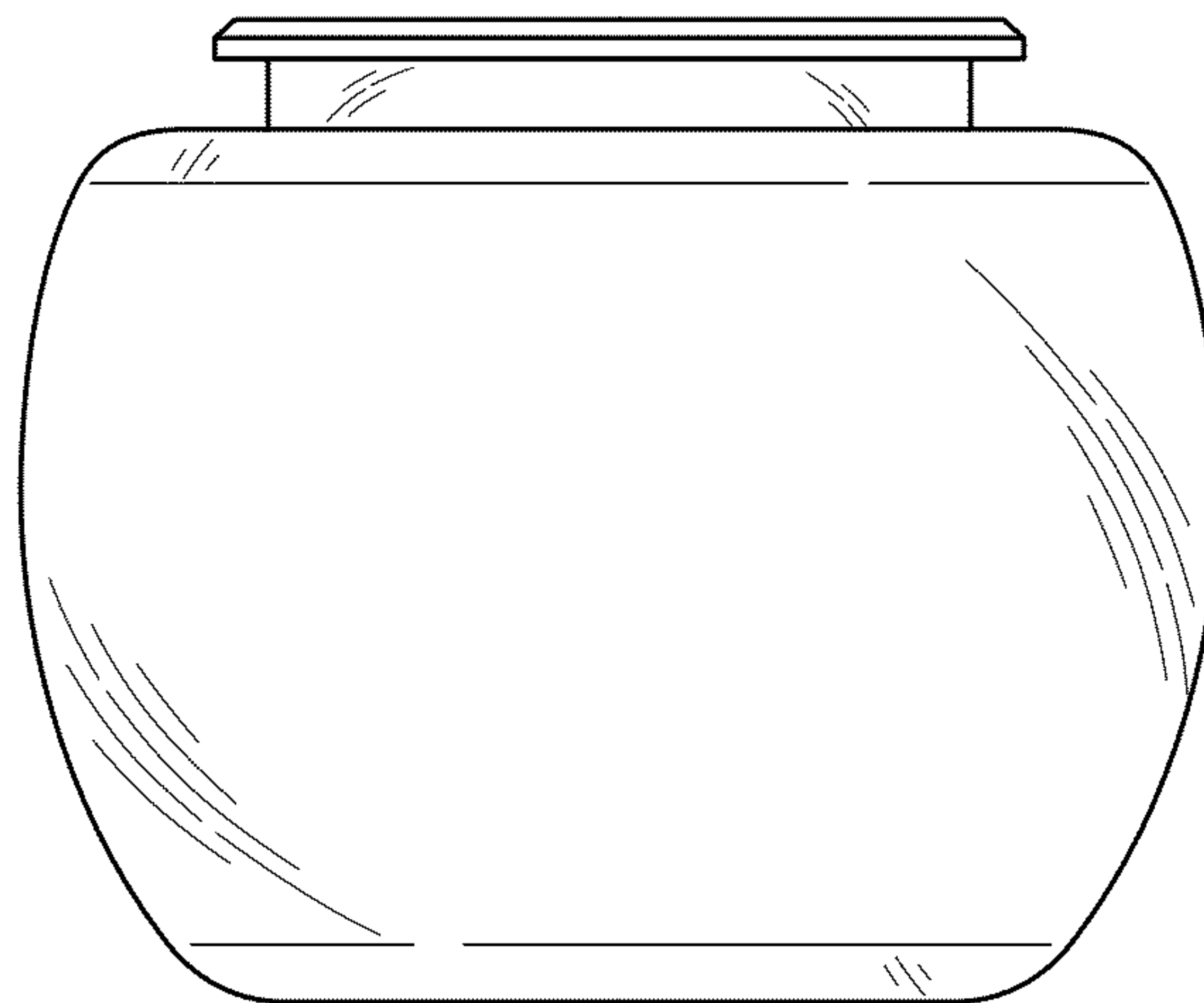


FIG. 5