



US00D699577S

(12) **United States Design Patent**
Rogers et al.

(10) **Patent No.:** **US D699,577 S**
(45) **Date of Patent:** **** *Feb. 18, 2014**

(54) **BOTTLE**

(71) Applicants: **Kristi L. Rogers**, Sunbury, OH (US);
Meghan Walter, Dublin, OH (US);
Jeremy McBroom, Columbus, OH
(US); **Shari Lee Morse**, Temperance, MI
(US)

(72) Inventors: **Kristi L. Rogers**, Sunbury, OH (US);
Meghan Walter, Dublin, OH (US);
Jeremy McBroom, Columbus, OH
(US); **Shari Lee Morse**, Temperance, MI
(US)

(73) Assignee: **Abbott Laboratories**, Abbott Park, IL
(US)

(*) Notice: This patent is subject to a terminal dis-
claimer.

(**) Term: **14 Years**

(21) Appl. No.: **29/454,463**

(22) Filed: **May 10, 2013**

(51) **LOC (10) Cl.** **09-01**

(52) **U.S. Cl.**
USPC **D9/500; D9/539**

(58) **Field of Classification Search**
USPC D9/500, 502-505, 516, 530, 537-539,
D9/549, 557-558, 682, 686, 688-691, 763,
D9/772-780; D24/197; 215/11.1, 43, 379,
215/382, 660, 669-673, 675
See application file for complete search history.

(56) **References Cited**

U.S. PATENT DOCUMENTS

D187,559 S * 3/1960 Horne D9/500
D188,074 S * 5/1960 Wunderly D9/500
D225,725 S 1/1973 Pettengill

6,044,992 A 4/2000 Ma
D428,814 S 8/2000 Silvers et al.
D438,116 S 2/2001 Nosella
D456,714 S * 5/2002 Brauner et al. D9/500
D466,813 S 12/2002 Thierjung et al.
D467,179 S 12/2002 Nelson et al.
D489,268 S 5/2004 Wang
D501,792 S * 2/2005 Priestman D9/500
D518,726 S 4/2006 Baker
D526,565 S 8/2006 Griffin et al.
D531,903 S 11/2006 Haubein
D548,088 S 8/2007 Ungrady
D567,088 S * 4/2008 Kruparova D9/500
D575,161 S 8/2008 Lepoitevin
D579,333 S * 10/2008 Dixon et al. D9/500
D579,775 S * 11/2008 Dixon et al. D9/500
D580,763 S 11/2008 Perez

(Continued)

Primary Examiner — Ian Simmons

Assistant Examiner — Dana L Meyrow

(74) *Attorney, Agent, or Firm* — Calfee, Halter & Griswold
LLP

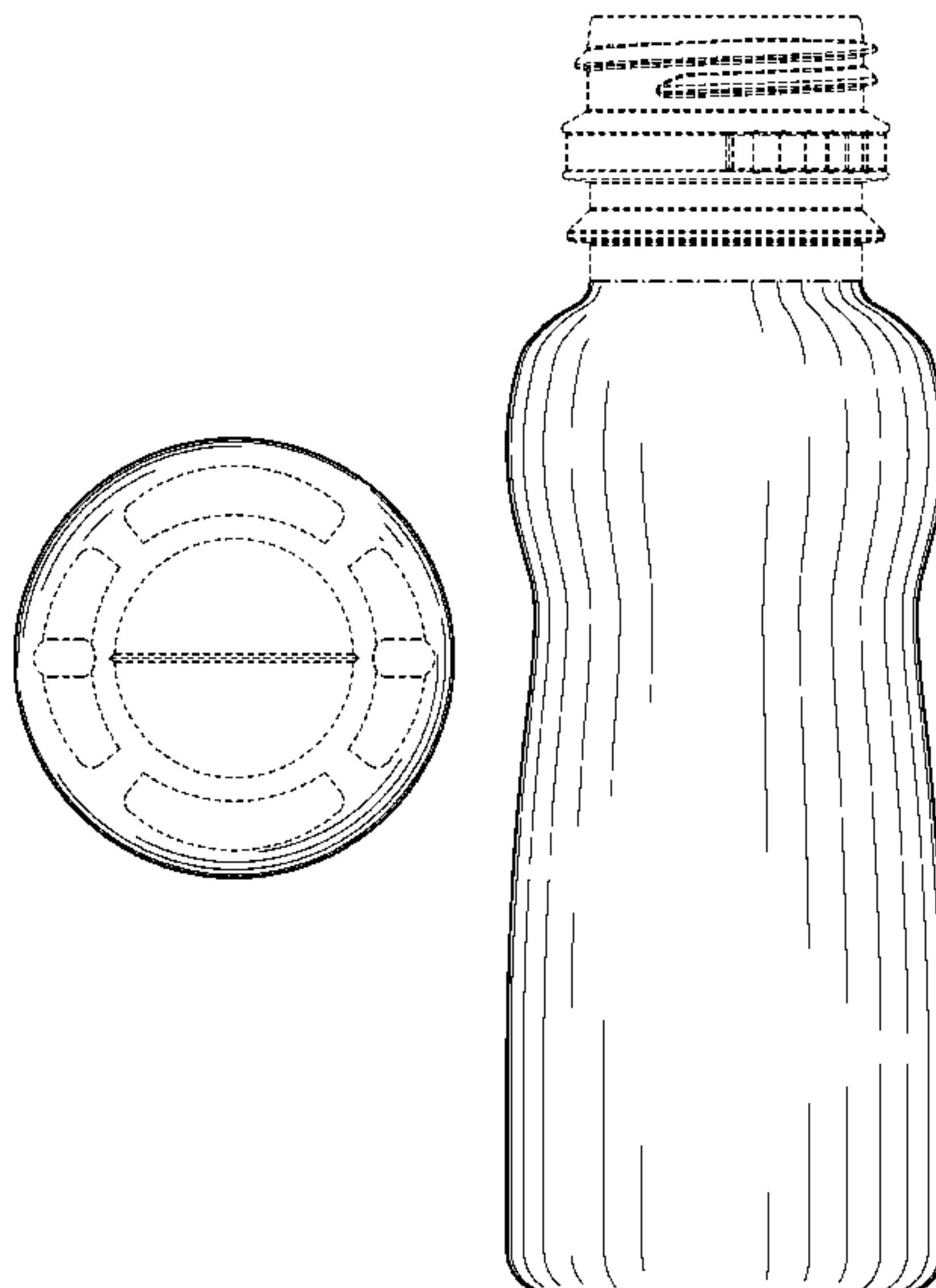
(57) **CLAIM**

We claim the ornamental design for a bottle, as shown and
described.

DESCRIPTION

FIG. 1 is a front perspective view of a bottle showing the new
design;
FIG. 2 is a top plan view of the bottle of FIG. 1;
FIG. 3 is a bottom plan view of the bottle of FIG. 1;
FIG. 4 is a front elevational view of the bottle of FIG. 1;
FIG. 5 is a rear elevational view of the bottle of FIG. 1;
FIG. 6 is a left side elevation view of the bottle of FIG. 1; and,
FIG. 7 is a right side elevation view of the bottle of FIG. 1.
The evenly-dashed broken lines in the drawings illustrate the
portions of the design that form no part of the claim. The
dot-dot-dash broken lines in the drawings define the bounds
of the claim and form no part thereof.

1 Claim, 3 Drawing Sheets



US D699,577 S

Page 2

(56)

References Cited

U.S. PATENT DOCUMENTS

D582,279 S * 12/2008 Darr et al. D9/516
D591,154 S * 4/2009 Darr et al. D9/500
D605,517 S 12/2009 Caldwell

D608,642 S 1/2010 Black
D610,011 S 2/2010 De Pieretti
D613,166 S 4/2010 Bentley
D642,470 S 8/2011 Yourist
D675,531 S * 2/2013 Crowe D9/538

* cited by examiner

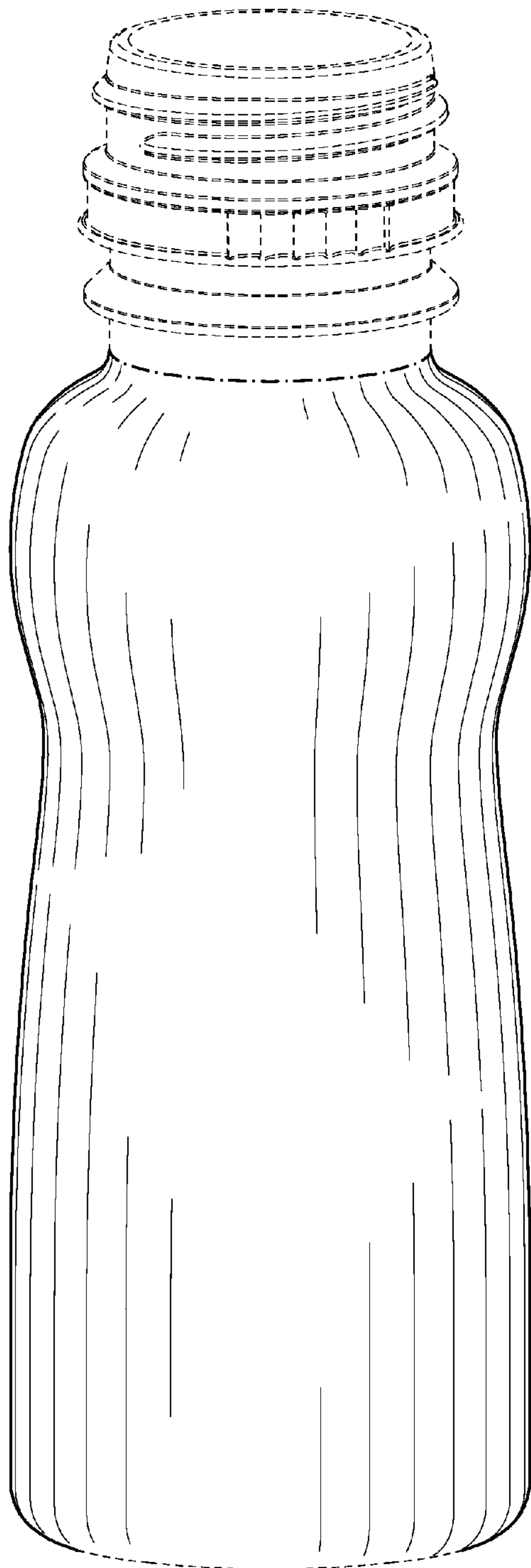


Fig. 1

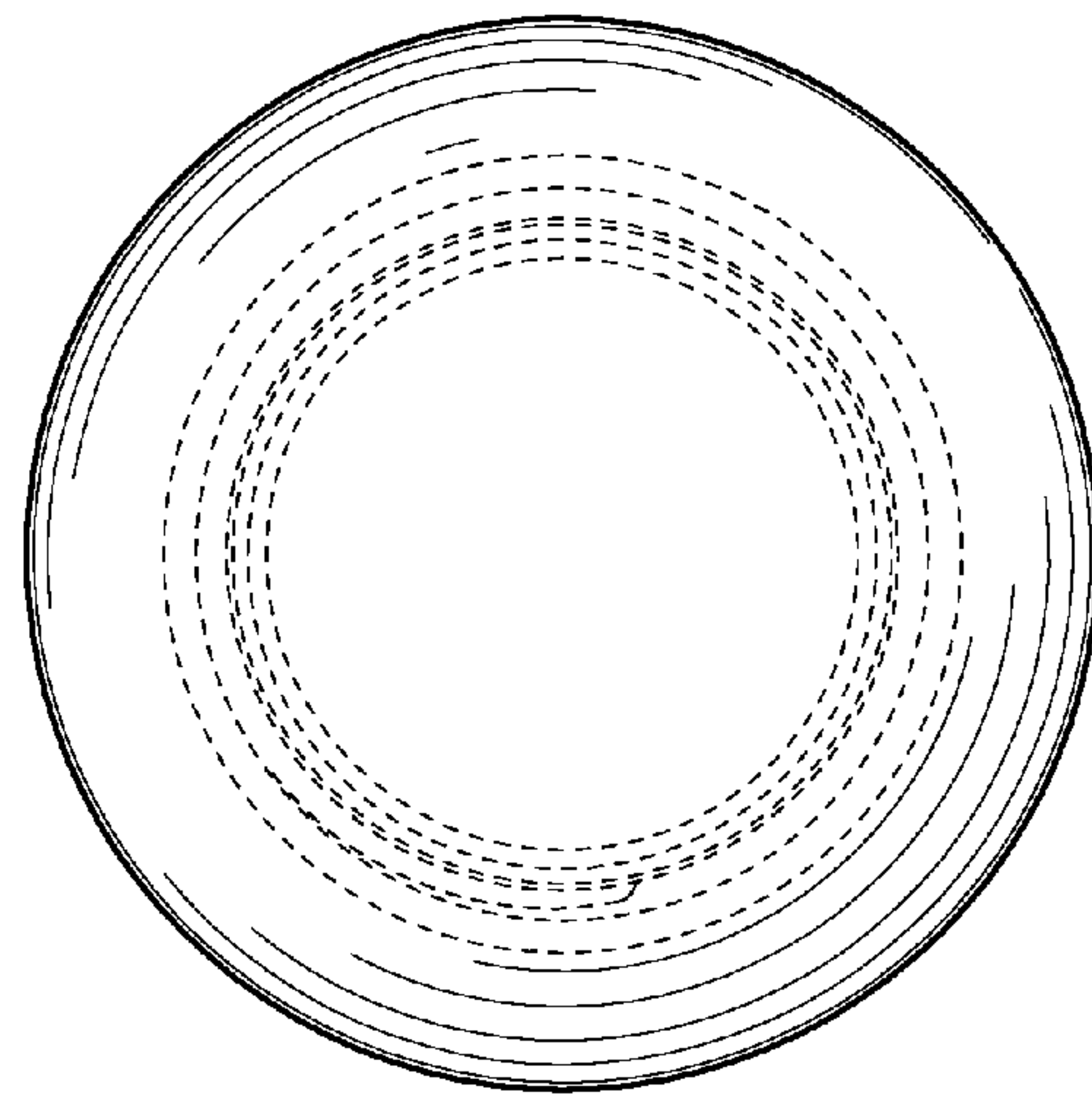


Fig. 2

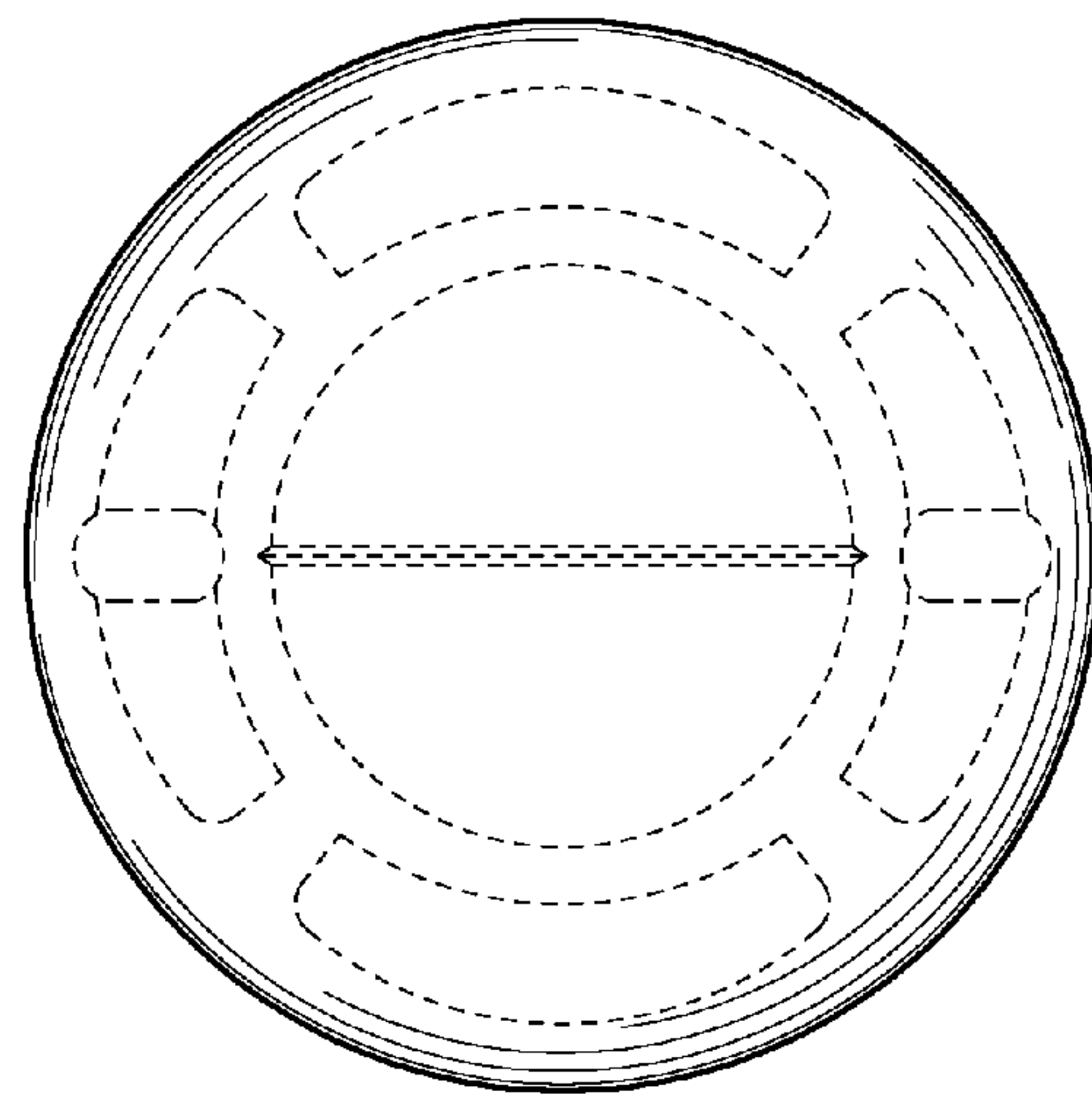


Fig. 3

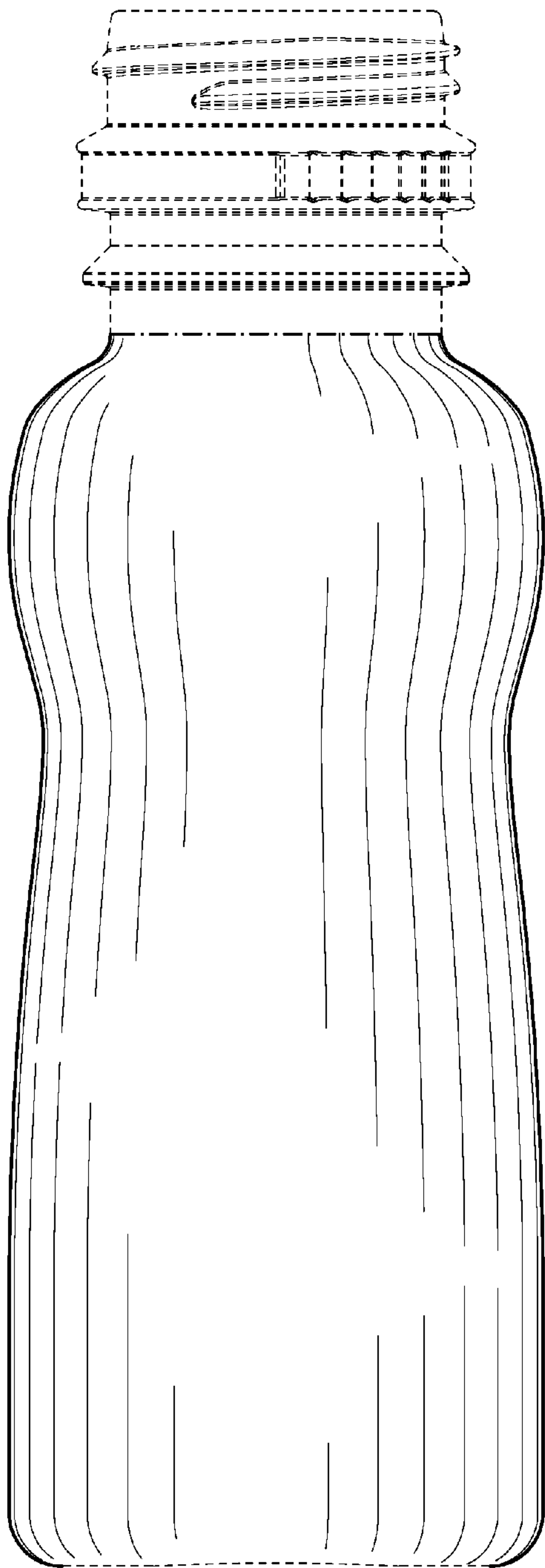


Fig. 4

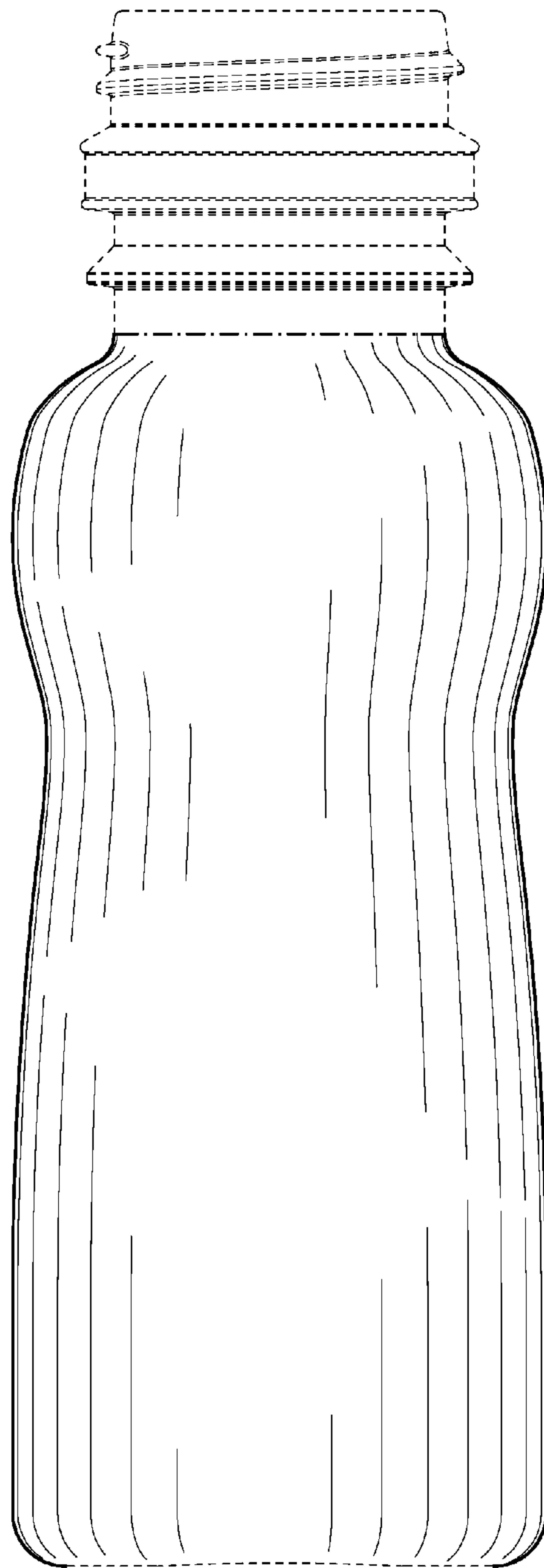


Fig. 5

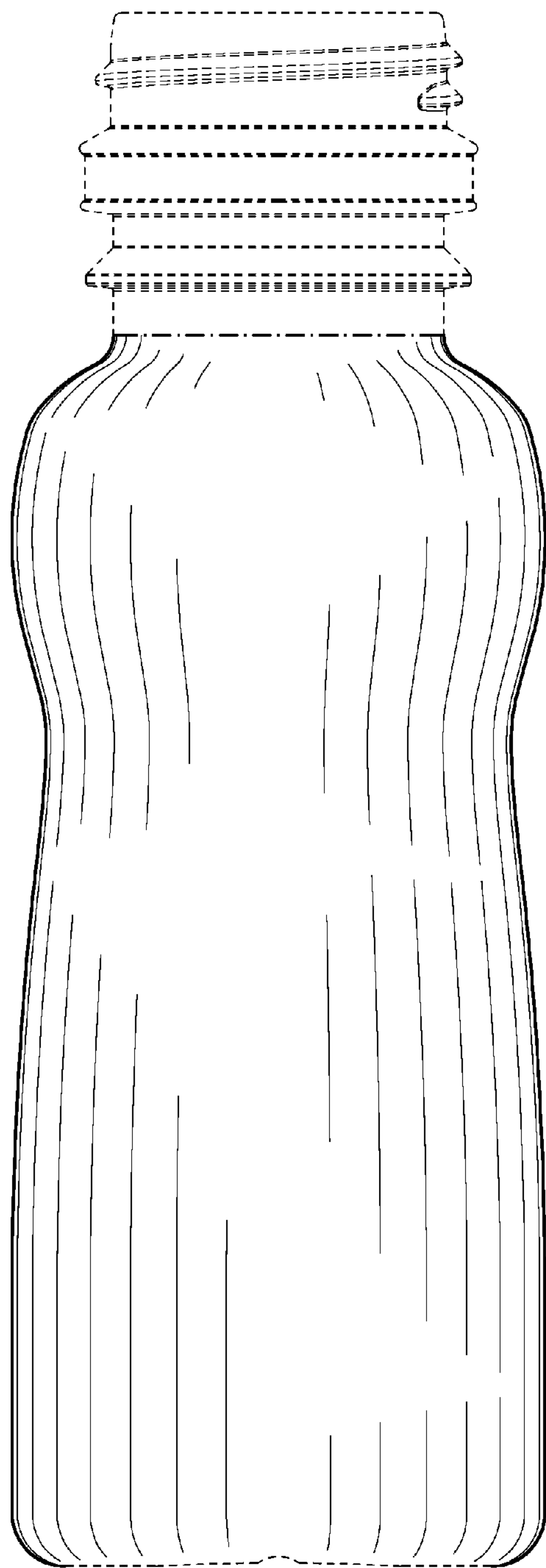


Fig. 6

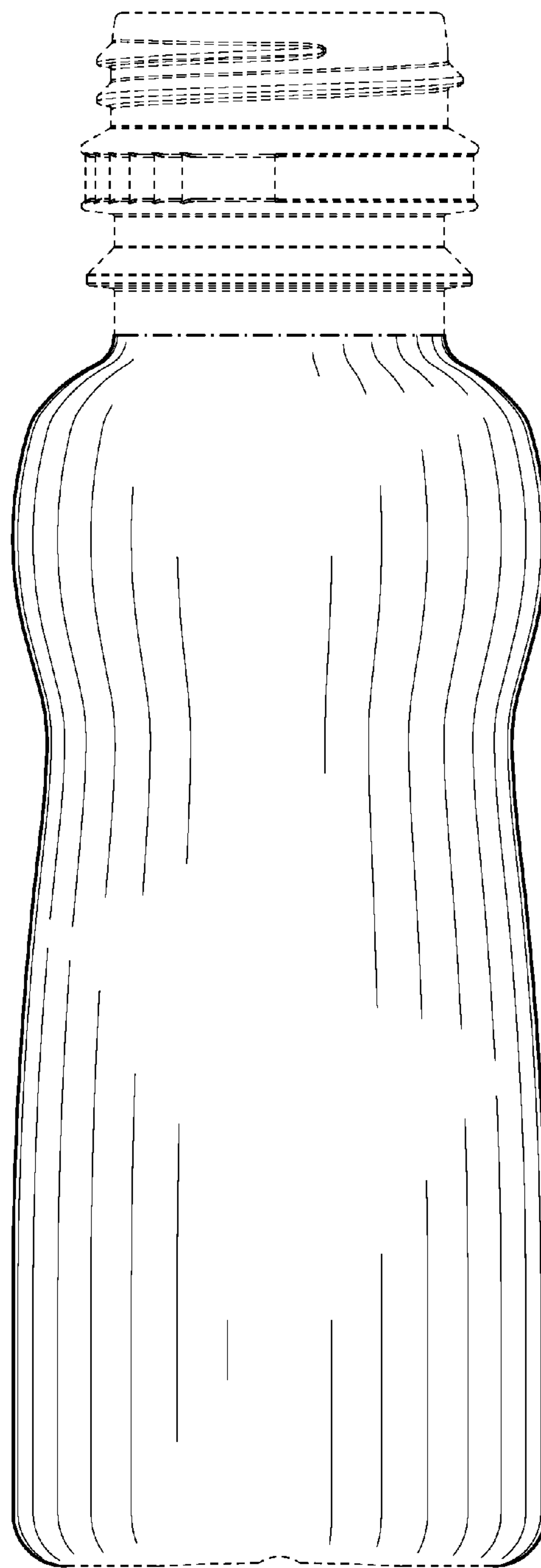


Fig. 7