



US00D699571S

(12) **United States Design Patent**
Zomorodi et al.

(10) **Patent No.:** **US D699,571 S**

(45) **Date of Patent:** **** Feb. 18, 2014**

(54) **PARFAIT CUP**

(71) Applicant: **Ready Pac Foods, Inc.**, Irwindale, CA (US)

(72) Inventors: **Brian Zomorodi**, La Canada Flintridge, CA (US); **Loys Larpin**, Monrovia, CA (US)

(73) Assignee: **Ready Pac Foods, Inc.**, Irwindale, CA (US)

(**) Term: **14 Years**

(21) Appl. No.: **29/439,361**

(22) Filed: **Dec. 10, 2012**

Related U.S. Application Data

(63) Continuation of application No. 29/402,782, filed on Sep. 27, 2011, now Pat. No. Des. 672,236.

(51) **LOC (10) Cl.** **09-07**

(52) **U.S. Cl.**
USPC **D9/435; D9/452**

(58) **Field of Classification Search**
USPC D9/454, 452, 438, 434, 429, 428, 425, D9/424, 416, 449, 445, 435, 418; D7/396.1, 396.2, 392.1, 601; 220/791, 220/675, 657-669, 4.21, 288, 266
See application file for complete search history.

(56) **References Cited**

U.S. PATENT DOCUMENTS

2,753,050 A	7/1956	Langston
2,982,440 A	5/1961	Harrison
3,045,887 A	7/1962	Caine
3,157,335 A	11/1964	Maier
3,194,468 A	7/1965	Baron
3,325,048 A	6/1967	Edwards

3,327,895 A	6/1967	Mueller
3,369,687 A	2/1968	Walls
3,397,867 A	8/1968	Hoff
3,495,733 A	2/1970	Davis
3,583,596 A	6/1971	Brewer
3,606,262 A	9/1971	Hoff
3,674,512 A	7/1972	Andros
3,696,987 A	10/1972	Schuff
3,765,559 A	10/1973	Sauey

(Continued)

OTHER PUBLICATIONS

Larsen et al., Design U.S. Appl. No. 29/429,890 for "Parfait Cup" dated Aug. 17, 2012.

(Continued)

Primary Examiner — Robert M Spear

(74) *Attorney, Agent, or Firm* — Jones Day

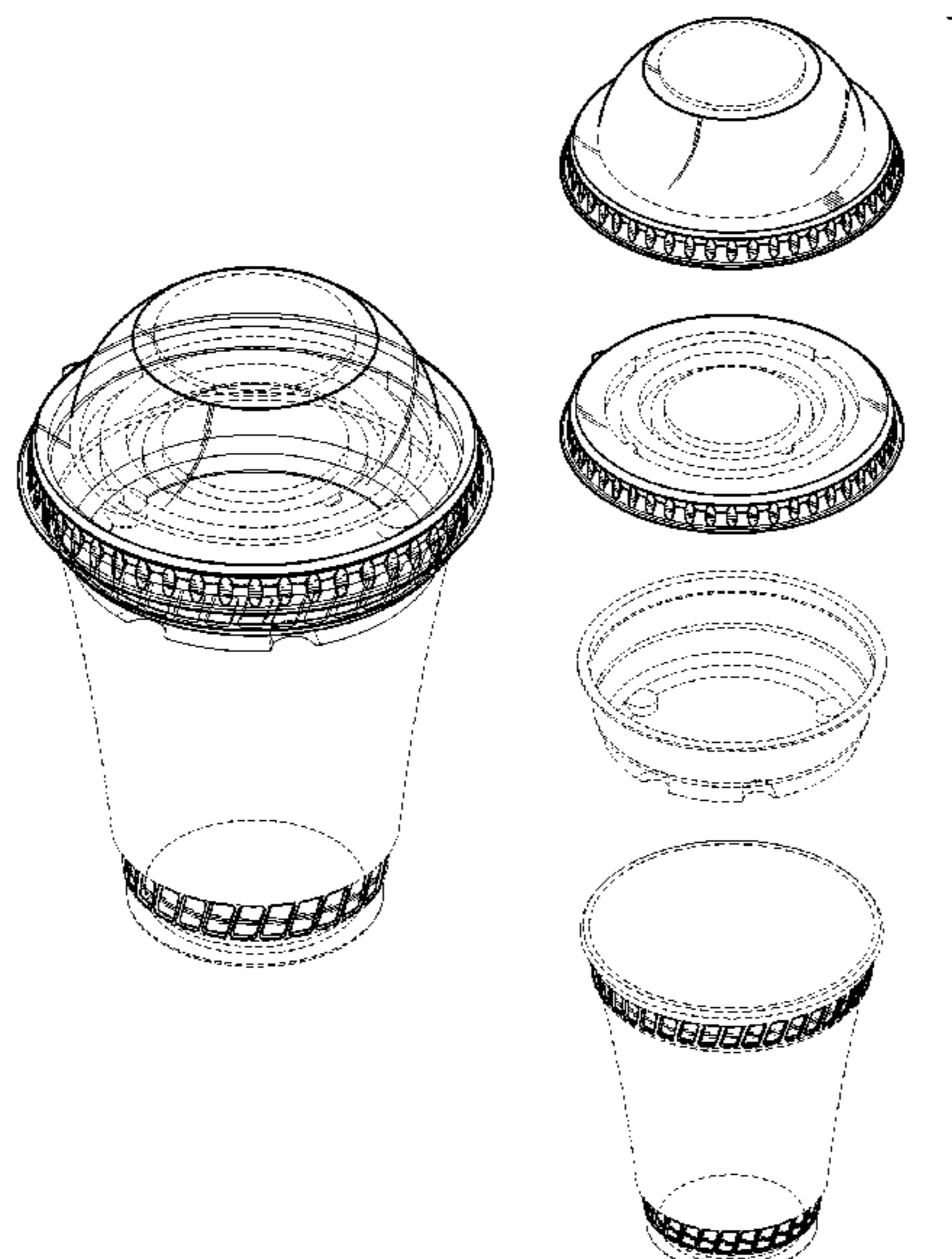
(57) **CLAIM**

The ornamental design for a parfait cup, as shown and described.

DESCRIPTION

FIG. 1 is a perspective view of the parfait cup; FIG. 2 is an exploded, perspective view of the parfait cup; FIG. 3 is a side view of the parfait cup; FIG. 4 is another side view of the parfait cup; FIG. 5 is another side view of the parfait cup; FIG. 6 is another side view of the parfait cup; FIG. 7 is a top view of the parfait cup; and, FIG. 8 is another top view of the parfait cup. Surfaces bounded completely by solid lines, and shaded surfaces that are immediately adjacent broken lines form part of the claim. Broken lines having shaded surfaces on only one side form boundaries of the claim and form no part of the claim; all other broken lines depict unclaimed environment and form no part of the claim.

1 Claim, 3 Drawing Sheets



(56)

References Cited

U.S. PATENT DOCUMENTS

3,769,056 A 10/1973 Sincock
 3,784,052 A 1/1974 Edwards
 3,820,684 A 6/1974 Harrison
 3,912,118 A 10/1975 Bird
 D239,920 S 5/1976 Smith
 D243,069 S 1/1977 Igelman
 4,183,446 A 1/1980 Davis
 4,421,244 A 12/1983 Van Melle
 4,446,969 A 5/1984 Tyler
 4,508,235 A 4/1985 Steele et al.
 D285,656 S 9/1986 Champion
 D286,508 S 11/1986 Tilden
 D289,720 S 5/1987 Maher
 D290,323 S 6/1987 Weernink
 D292,380 S 10/1987 Smith
 4,966,294 A 10/1990 Mack
 5,180,079 A 1/1993 Jeng
 D339,027 S 9/1993 Mack
 5,366,104 A 11/1994 Armstrong
 5,392,949 A 2/1995 McKenna
 D358,294 S 5/1995 Letica
 D361,469 S 8/1995 Young
 5,449,089 A 9/1995 Turner
 D381,267 S 7/1997 Rush et al.
 D381,268 S 7/1997 Rush et al.
 D383,944 S 9/1997 Lillelund
 D393,397 S 4/1998 Lillelund
 D449,986 S 11/2001 Schaefer
 6,311,865 B1 11/2001 Laurent
 D453,107 S 1/2002 Wyslotsky et al.
 6,357,619 B1 3/2002 Schaefer
 D455,652 S 4/2002 Wyslotsky et al.

D473,463 S 4/2003 Armstrong
 D473,788 S 4/2003 Chen et al.
 D536,579 S 2/2007 Roth et al.
 D560,120 S 1/2008 Maravich et al.
 D564,354 S 3/2008 Maravich et al.
 D574,238 S 8/2008 Walker et al.
 D585,279 S 1/2009 Walker et al.
 D625,599 S 10/2010 Golota et al.
 D631,693 S 2/2011 Giraud et al.
 D638,279 S 5/2011 Plato
 D643,284 S 8/2011 Zomorodi et al.
 D643,285 S 8/2011 Zomorodi et al.
 D643,286 S 8/2011 Zomorodi et al.
 D648,629 S 11/2011 Zomorodi et al.
 D672,236 S 12/2012 Zomorodi et al.
 D682,696 S * 5/2013 Brown et al. D9/454
 2002/0037378 A1 3/2002 Littlejohn et al.
 2003/0111468 A1 6/2003 Kao
 2004/0245261 A1 12/2004 Stanos et al.
 2007/0068949 A1 3/2007 Crossley
 2007/0181581 A1 8/2007 Ross
 2009/0283526 A1 11/2009 Pierce et al.
 2011/0284537 A1 11/2011 Cerasani
 2011/0303678 A1 12/2011 Zomorodi et al.

OTHER PUBLICATIONS

Larsen et al., Design U.S. Appl. No. 29/429,892 for "Parfait Cup" dated Aug. 17, 2012.
 Zomorodi, Design U.S. Appl. No. 29/429,889 for "Parfait Cup" dated Aug. 17, 2012.
 Zomorodi, Design U.S. Appl. No. 29/429,891 for "Parfait Cup" dated Aug. 17, 2012.

* cited by examiner

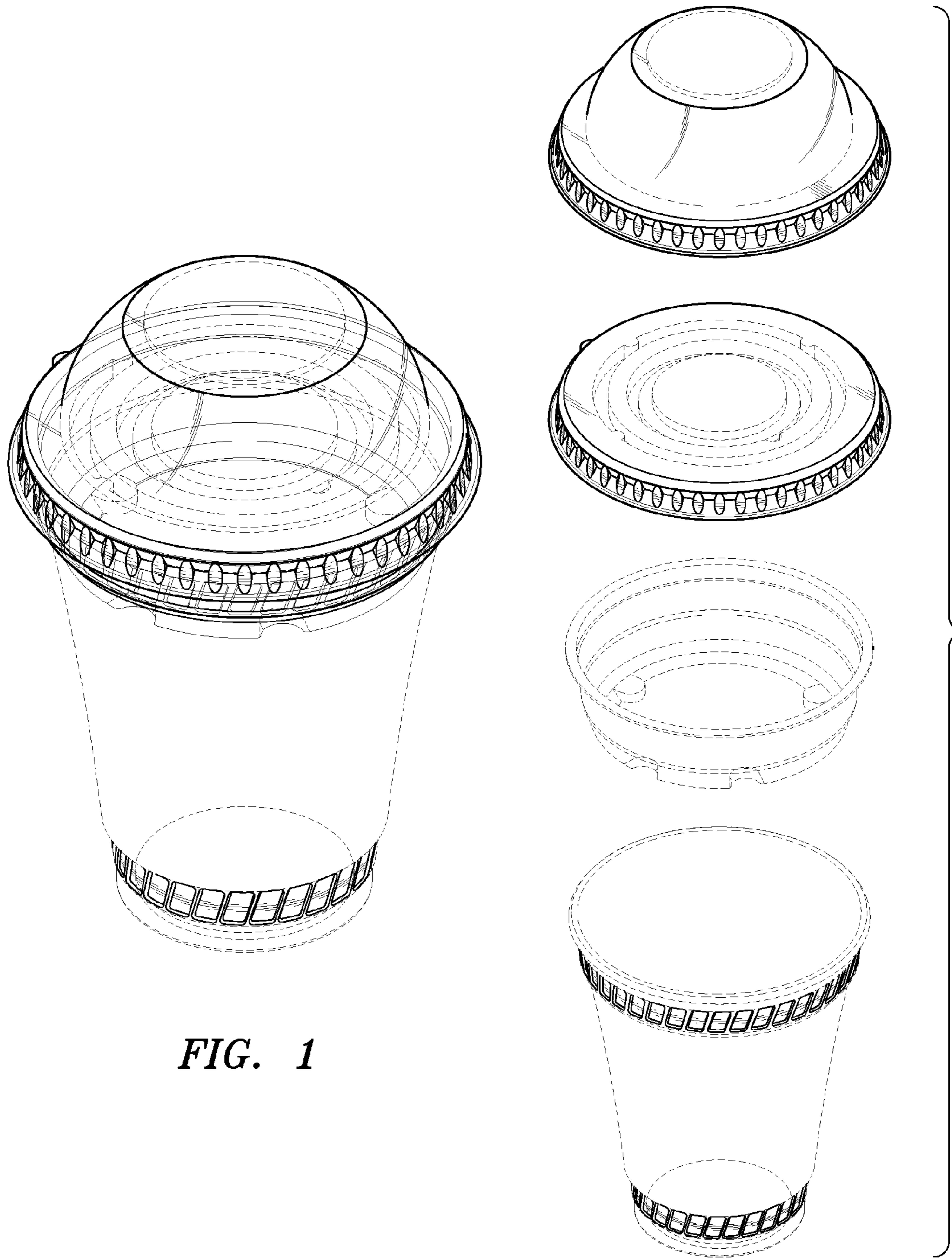


FIG. 1

FIG. 2

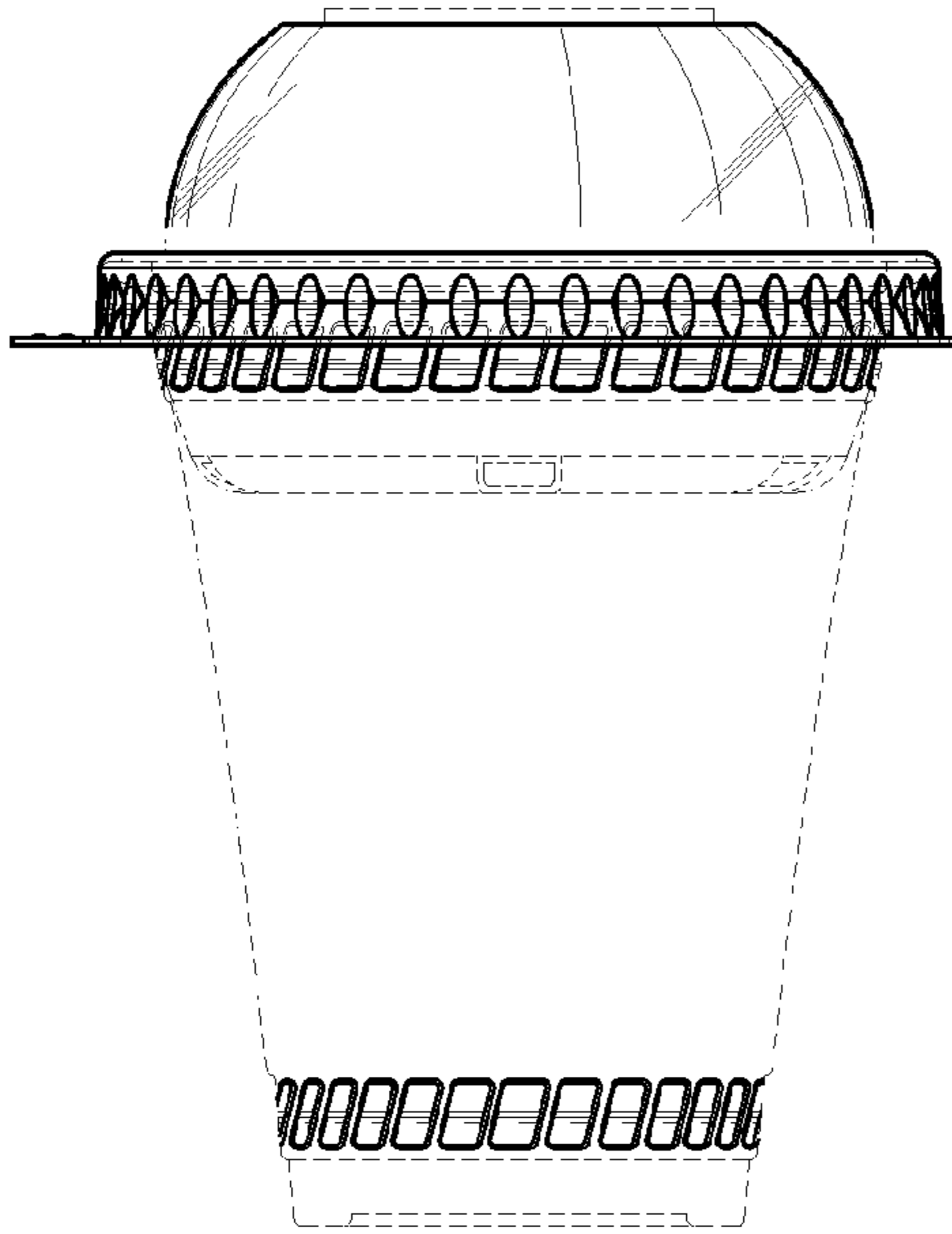


FIG. 3

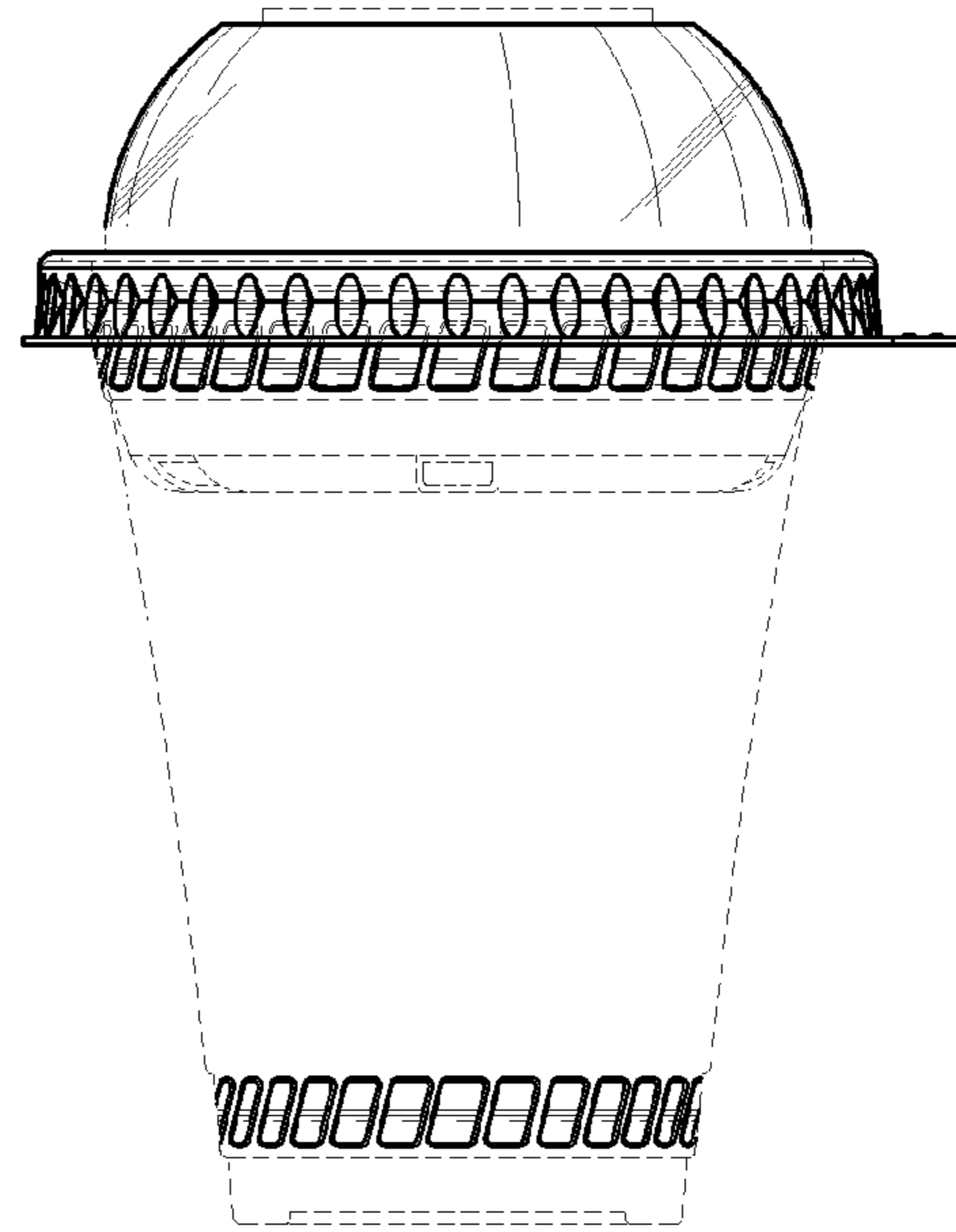


FIG. 4

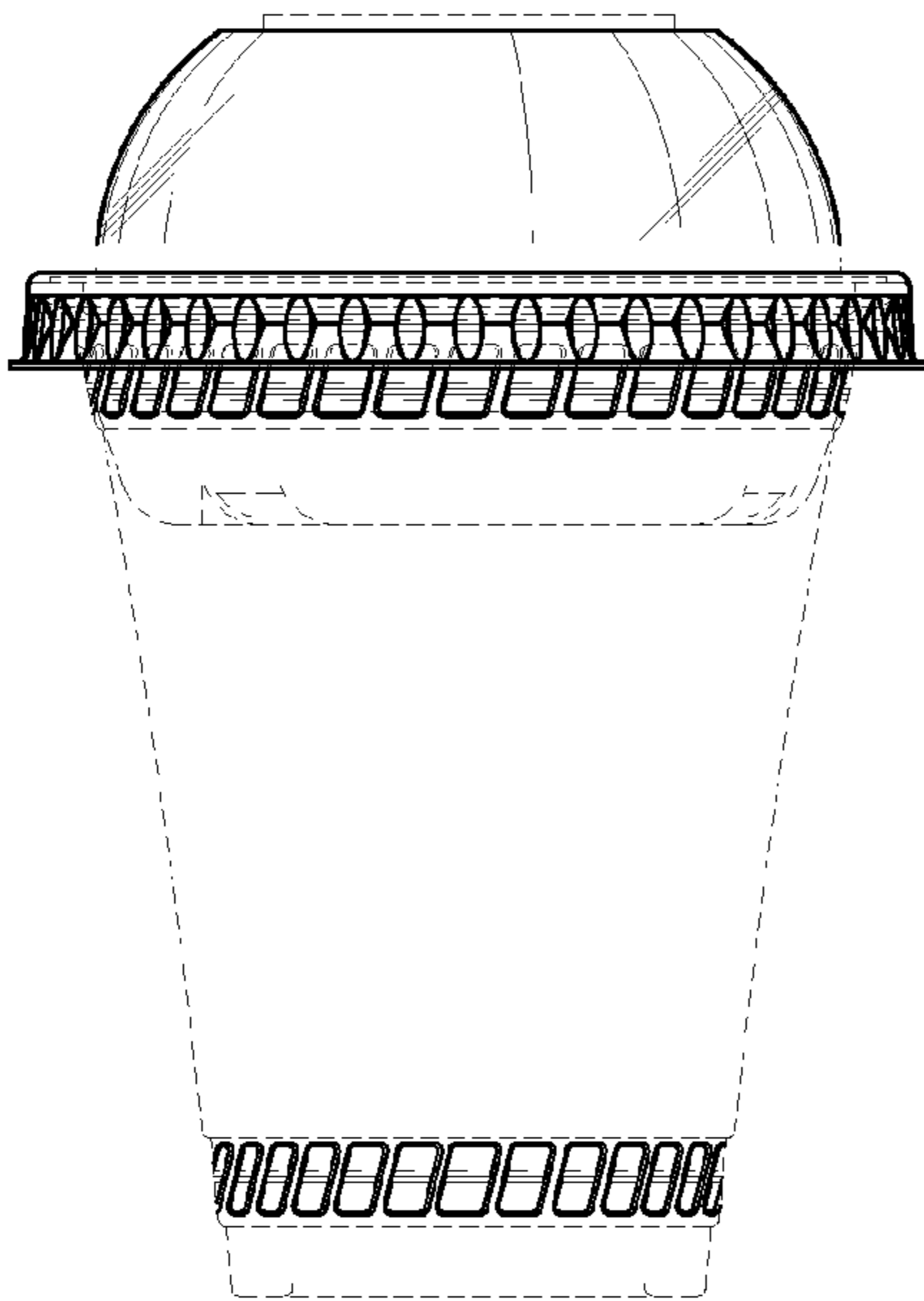


FIG. 5

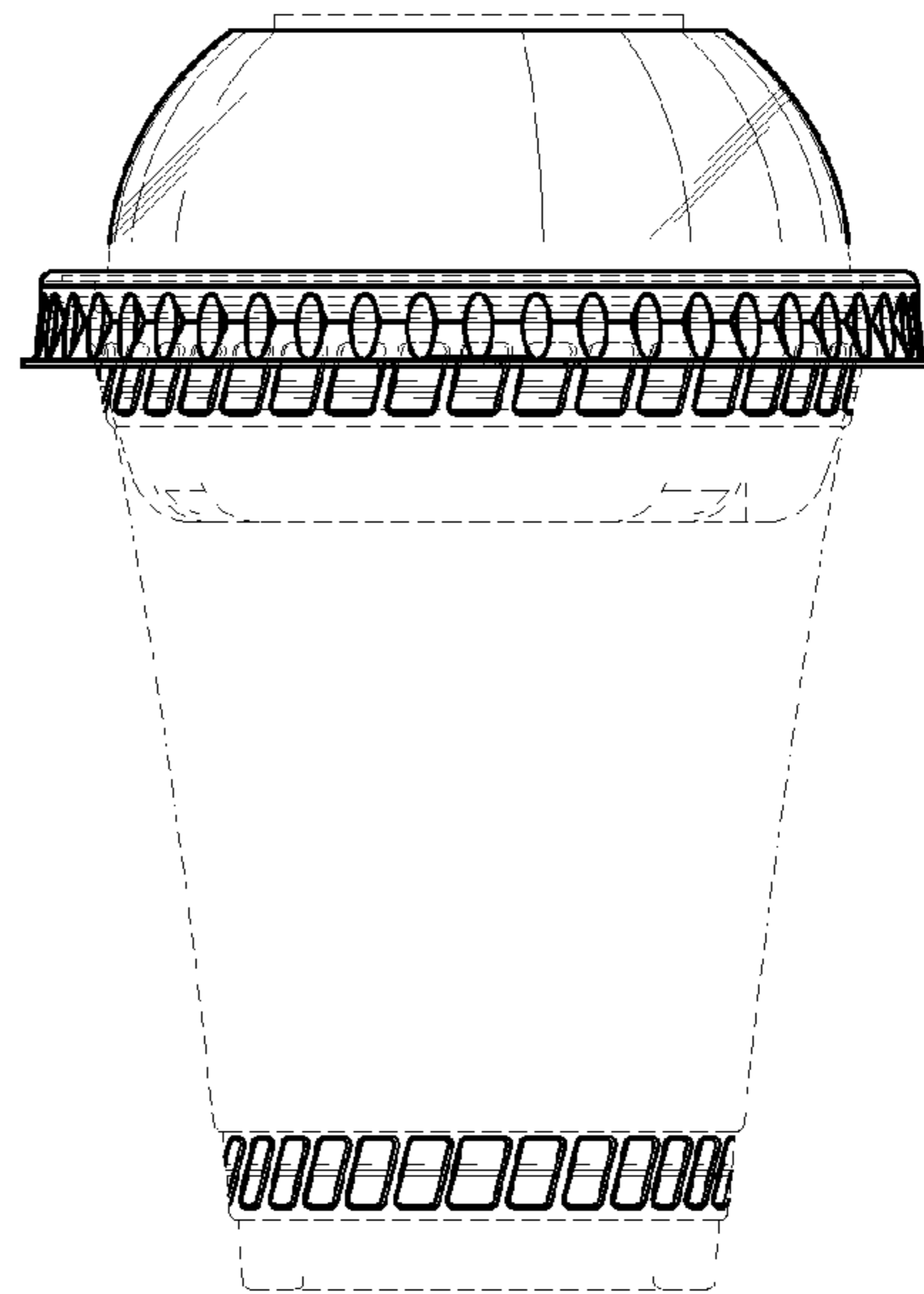


FIG. 6

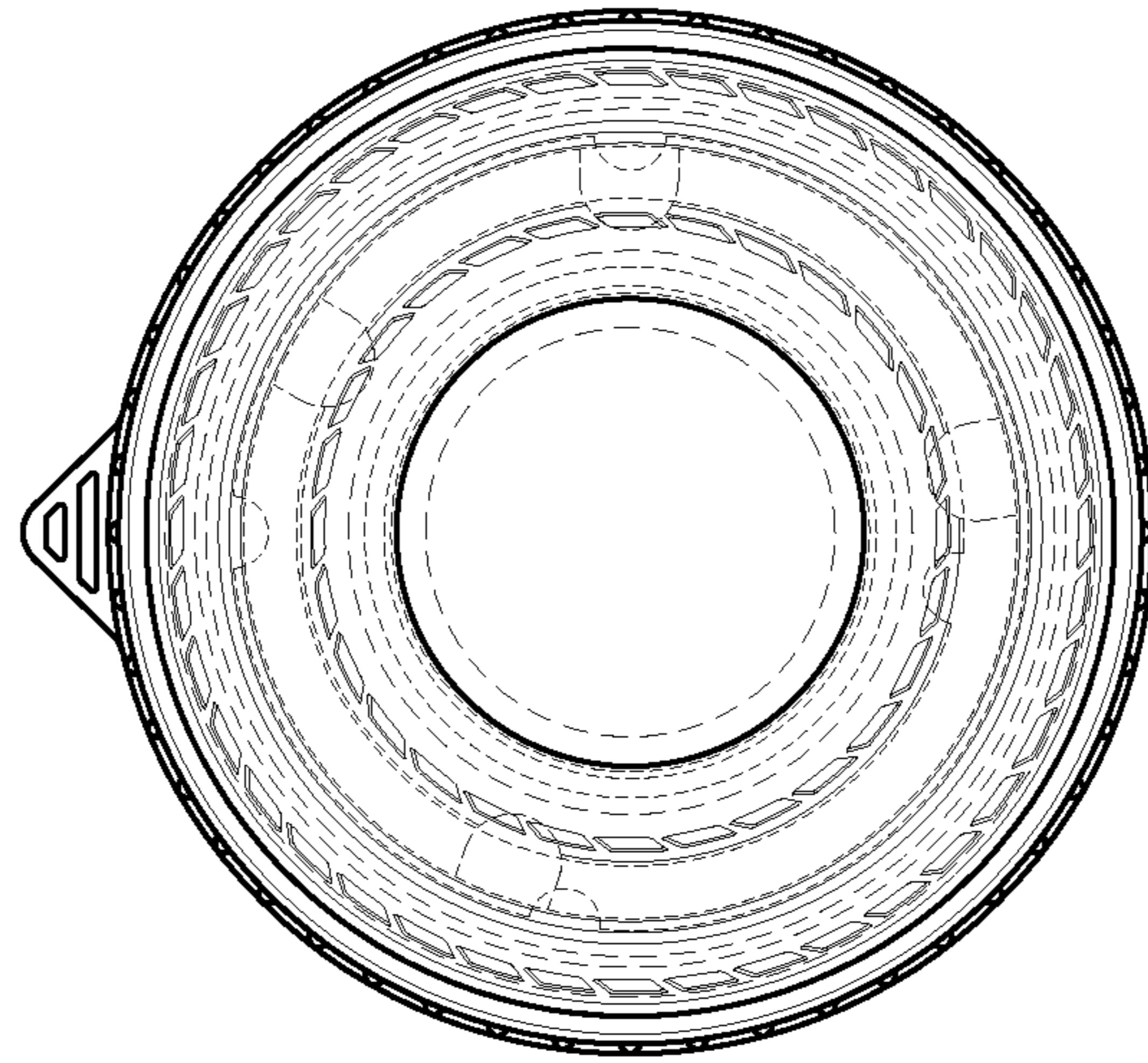


FIG. 7

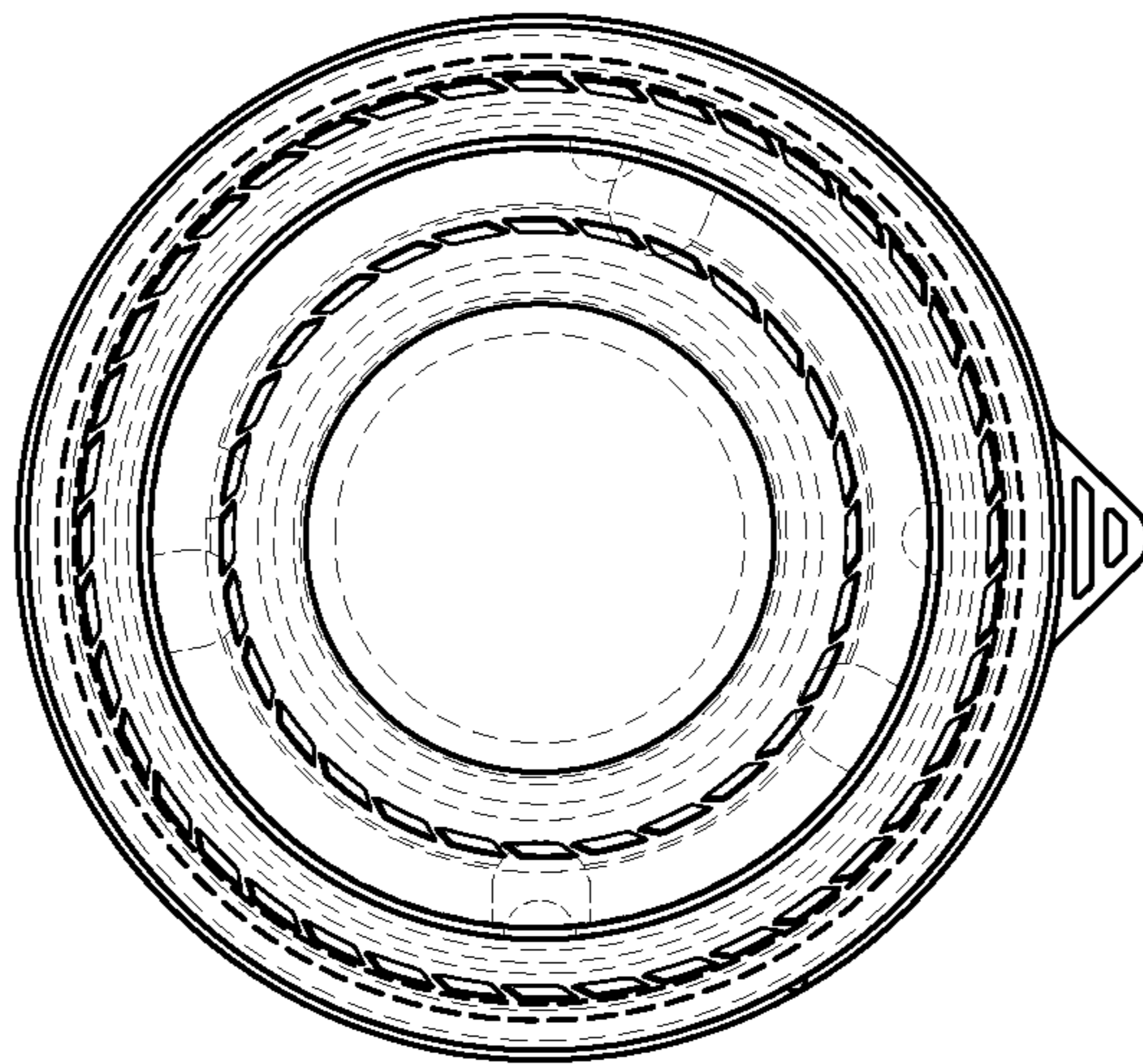


FIG. 8