



US00D699570S

(12) **United States Design Patent**
Rivera

(10) **Patent No.:** **US D699,570 S**

(45) **Date of Patent:** **** *Feb. 18, 2014**

(54) **BAG HANDLE HOLDING DEVICE**

(76) Inventor: **Jorge L. Rivera**, Brooklyn, NY (US)

(*) Notice: This patent is subject to a terminal disclaimer.

(**) Term: **14 Years**

(21) Appl. No.: **29/374,178**

(22) Filed: **Jul. 11, 2011**

(51) **LOC (10) Cl.** **09-07**

(52) **U.S. Cl.**
USPC **D9/434; D9/455**

(58) **Field of Classification Search**
USPC D9/434, 435, 443, 448, 455, 534, 682,
D9/685; D8/51, 356, 358, 394, 395;
D21/681, 682; 482/108; 417/411;
294/137, 158, 159, 170, 171; D15/145,
D15/156

See application file for complete search history.

(56) **References Cited**

U.S. PATENT DOCUMENTS

779,691	A *	1/1905	Comstock	294/170
824,904	A *	7/1906	Cammett et al.	294/166
3,153,507	A *	10/1964	House	229/117.19
4,923,235	A	5/1990	Stewart		
4,946,065	A	8/1990	Goulter et al.		

5,005,891	A	4/1991	Lunsford		
5,527,076	A	6/1996	Randels		
5,855,403	A *	1/1999	Harper	294/158
5,865,494	A	2/1999	Tipp		
6,375,131	B1	4/2002	Youst		
6,824,182	B2	11/2004	Graham		
7,090,272	B2	8/2006	Novakovich et al.		
D597,405	S *	8/2009	Startzell et al.	D9/434
7,837,068	B2 *	11/2010	Liberatore	222/100
D649,570	S *	11/2011	Chen	D15/145
2006/0178250	A1	8/2006	Findon		
2008/0142560	A1	6/2008	Lim		

* cited by examiner

Primary Examiner — Susan Bennett Hattan

Assistant Examiner — Barbara B Lohr

(74) *Attorney, Agent, or Firm* — Richard L. Miller

(57) **CLAIM**

The ornamental design for a bag handle holding device, as shown and described.

DESCRIPTION

FIG. 1 is a perspective view of a bag handle holding device showing my new design.

FIG. 2 is a front elevational view thereof;

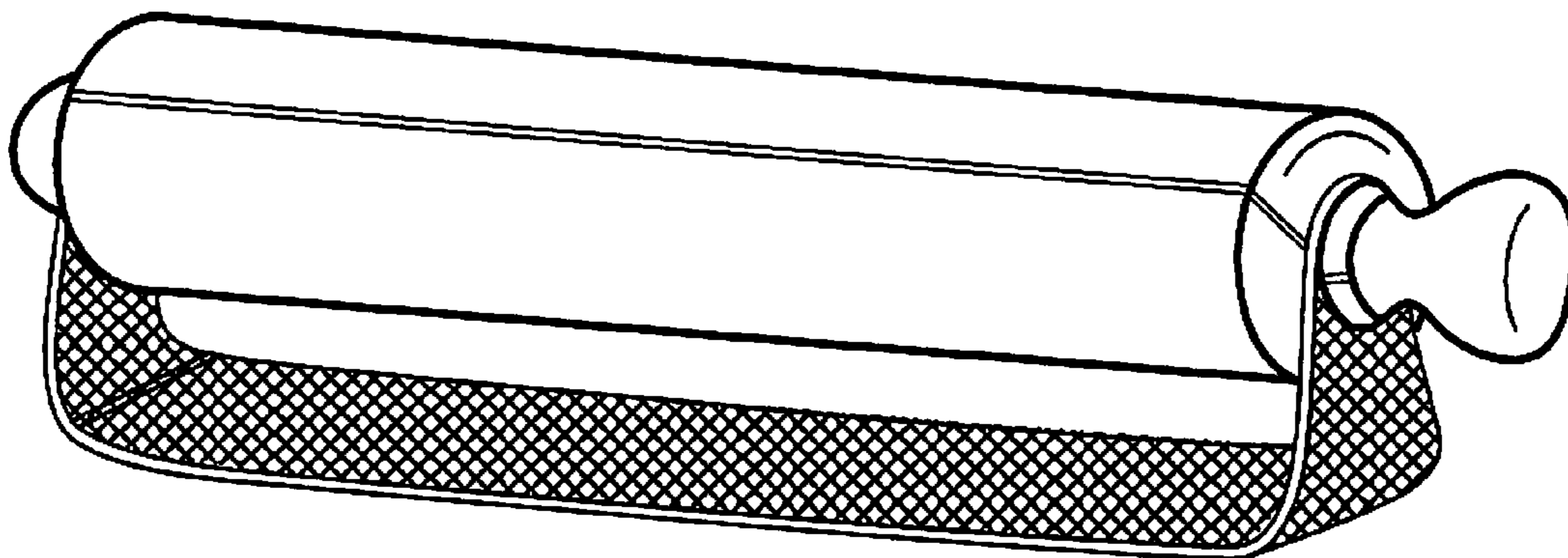
FIG. 3 is a left end elevational view thereof;

FIG. 4 is a right end elevational view thereof;

FIG. 5 is a top plan view thereof; and,

FIG. 6 is a bottom plan view thereof.

1 Claim, 6 Drawing Sheets



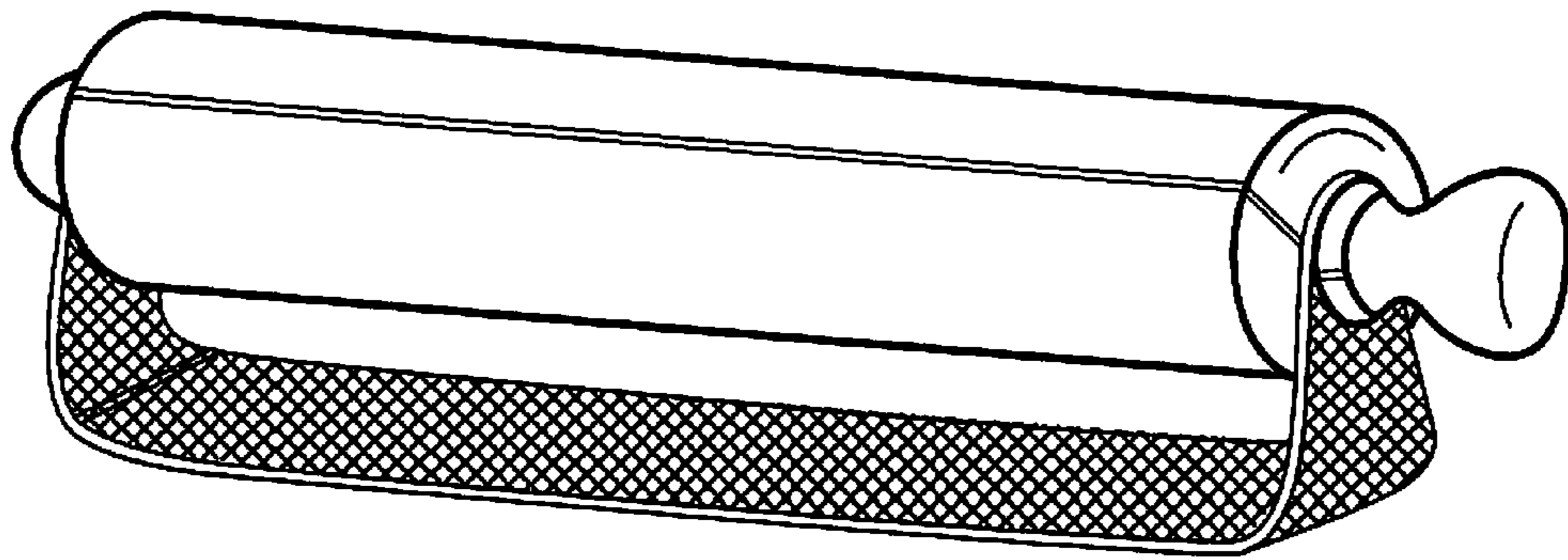


FIG. 1

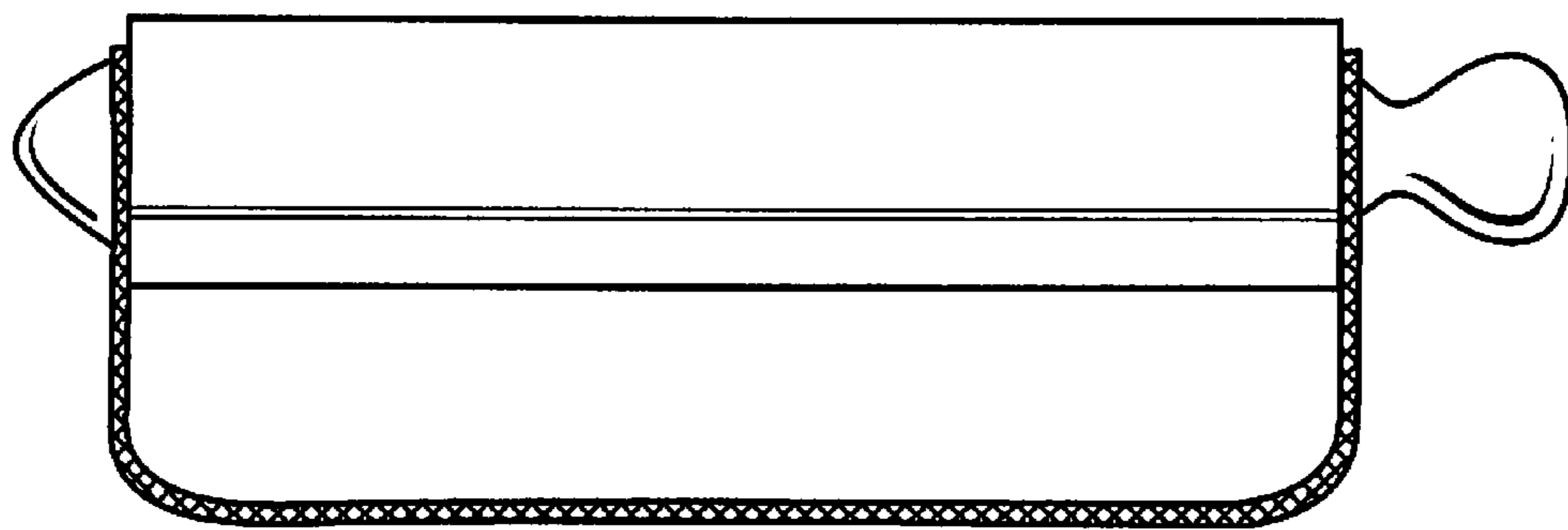


FIG. 2

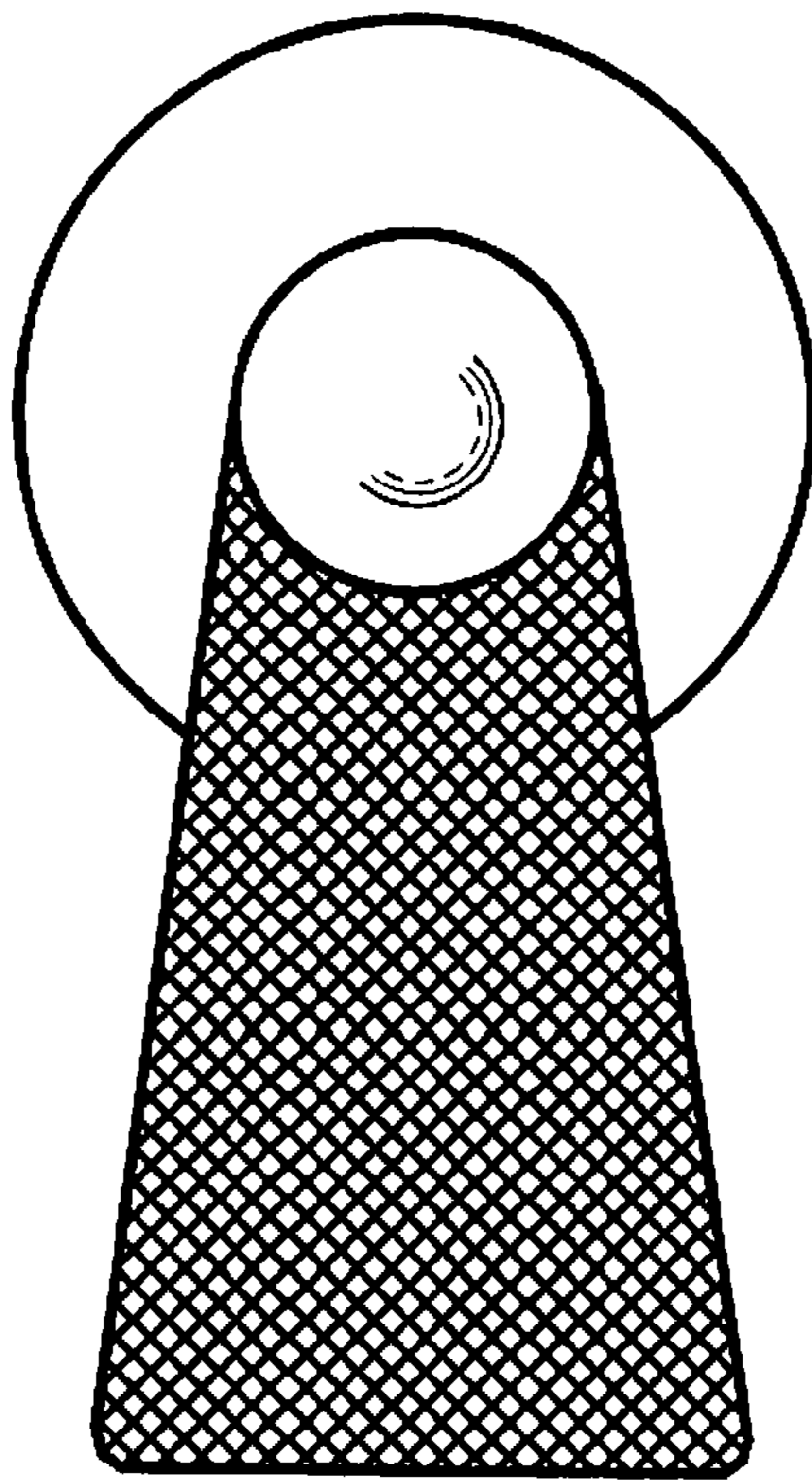


FIG. 3

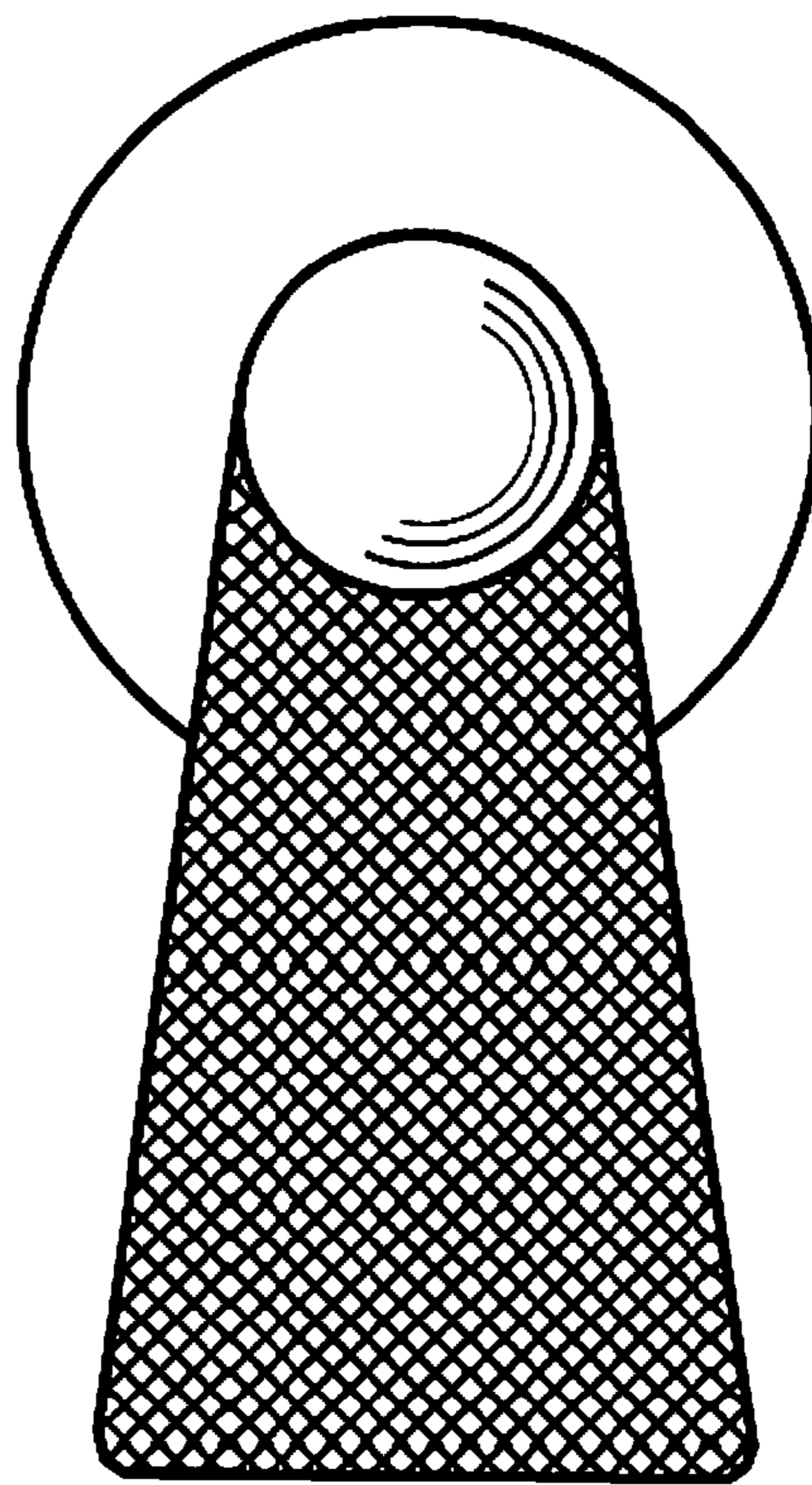


FIG. 4

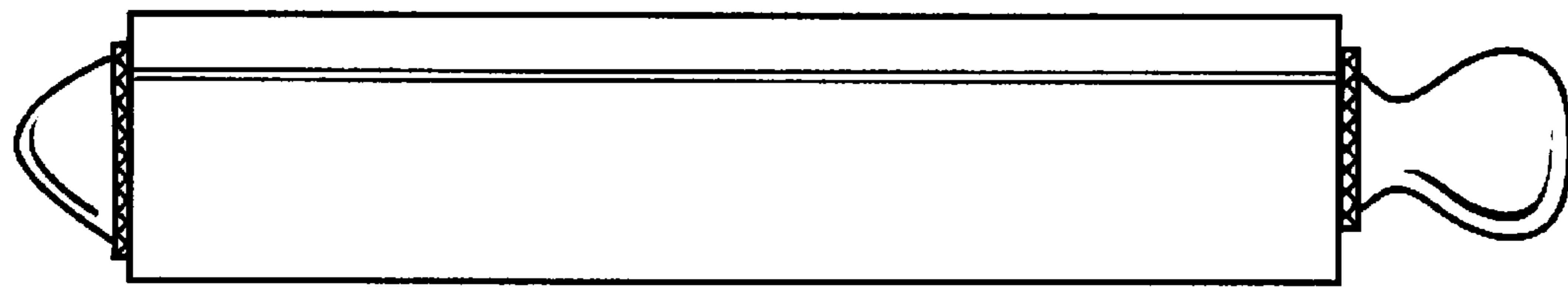


FIG. 5

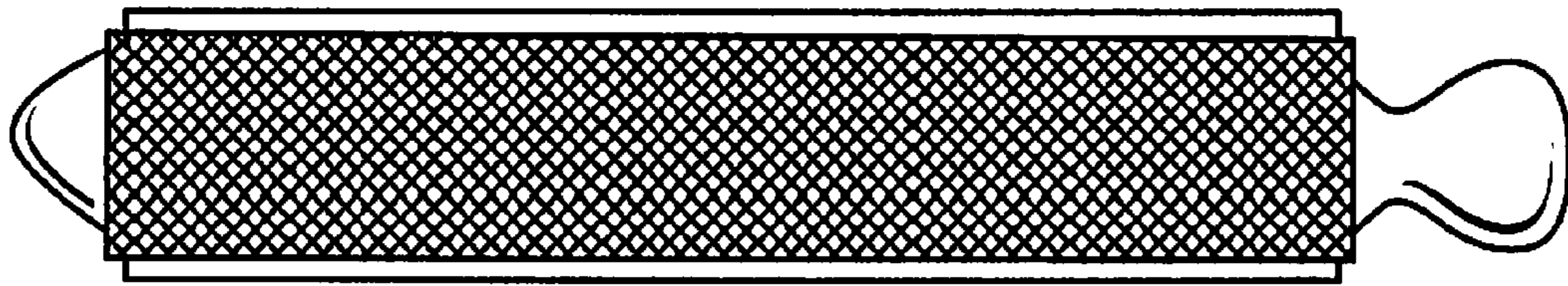


FIG. 6