



US00D699565S

(12) **United States Design Patent**
Mitra-Shah et al.

(10) **Patent No.:** **US D699,565 S**
(45) **Date of Patent:** **** Feb. 18, 2014**

- (54) **COMESTIBLE PACKAGE**
- (75) Inventors: **Ujjaini Mitra-Shah**, Chicago, IL (US);
Raymond J. Burke, Chicago, IL (US)
- (73) Assignee: **Wm. Wrigley Jr. Company**, Chicago,
IL (US)
- (**) Term: **14 Years**

D613,153	S	*	4/2010	Russell	D9/423
D618,096	S	*	6/2010	Eadicicco et al.	D9/434
D619,454	S	*	7/2010	Fluegel et al.	D9/423
D630,942	S	*	1/2011	Russell et al.	D9/434
D644,100	S	*	8/2011	Stacy-Ryan	D9/423
D644,923	S	*	9/2011	Belias et al.	D9/423
D645,735	S	*	9/2011	Clark et al.	D9/423
8,061,586	B2	*	11/2011	Fluegel et al.	229/149
2005/0218201	A1	*	10/2005	Billig et al.	229/122
2007/0209954	A1	*	9/2007	Aldridge et al.	206/449
2009/0211938	A1	*	8/2009	Aldridge	206/526

- (21) Appl. No.: **29/363,231**
- (22) Filed: **Jun. 7, 2010**
- (51) **LOC (10) Cl.** **09-03**
- (52) **U.S. Cl.**
USPC **D9/423**
- (58) **Field of Classification Search**
USPC D9/414, 416, 420, 422, 423, 432, 433,
D9/499, 337; D3/218, 273; D6/407, 626,
D6/632; 206/5, 5.1, 37, 232, 307, 316.1,
206/372, 387.13, 425, 449, 450, 472-476,
206/493, 494, 527, 734; 229/87.18, 126,
229/19, 800; 220/890, 100, 123, 124, 125
See application file for complete search history.

* cited by examiner

Primary Examiner — Mark Goodwin
(74) *Attorney, Agent, or Firm* — McAndrews, Held & Malloy, Ltd.

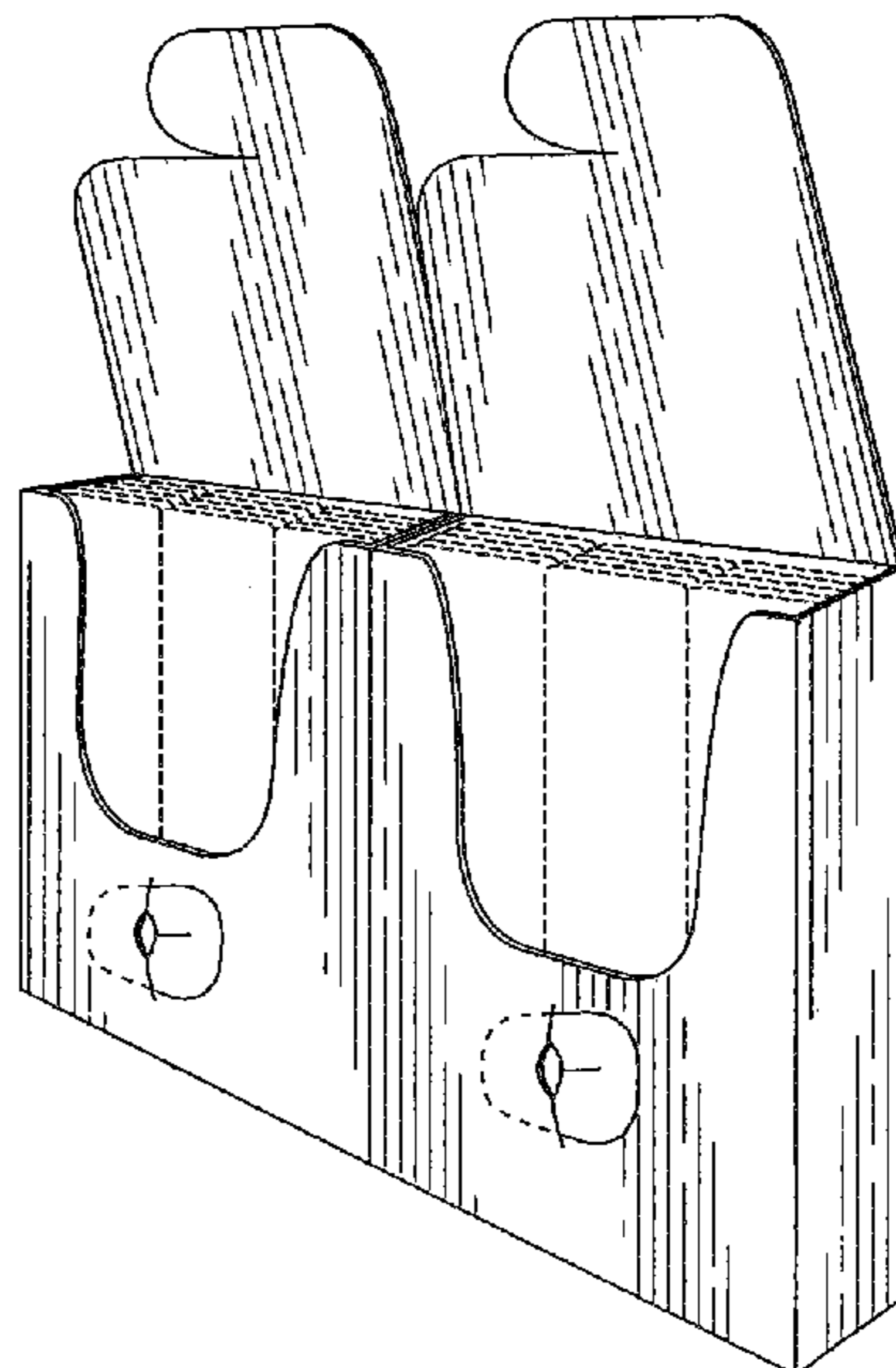
(57) **CLAIM**
The ornamental design for a comestible package, as shown and described.

DESCRIPTION

FIG. 1 is a front and right side perspective view showing our new design;
FIG. 2 is a rear elevation view thereof;
FIG. 3 is a right side elevation view thereof;
FIG. 4 is a left side elevation view thereof;
FIG. 5 is a front elevation view thereof;
FIG. 6 is a front and right side perspective view showing an alternate embodiment of our new design;
FIG. 7 is a perspective view of FIG. 6 shown in use;
FIG. 8 is a front and right side perspective view showing an alternate embodiment of our new design; and,
FIG. 9 is a front and right side perspective view showing an alternate embodiment of our new design.
The broken lines shown in the drawings are included for the purpose of illustrating environmental structure only and form no part of the claimed design.

- (56) **References Cited**
U.S. PATENT DOCUMENTS
- | | | | | | | |
|-----------|----|---|---------|-----------------|-------|----------|
| D250,748 | S | * | 1/1979 | Leger | | D9/420 |
| D421,568 | S | * | 3/2000 | Ferguson et al. | | D9/701 |
| D431,775 | S | * | 10/2000 | Plattner et al. | | D9/415 |
| 6,644,488 | B1 | * | 11/2003 | Coleman | | 220/23.4 |
| D512,304 | S | * | 12/2005 | Aldridge | | D9/422 |
| 7,159,717 | B2 | * | 1/2007 | Aldridge et al. | | 206/449 |
| D540,668 | S | * | 4/2007 | Aldridge | | D9/434 |
| 7,325,686 | B2 | * | 2/2008 | Aldridge | | 206/460 |
| D582,268 | S | * | 12/2008 | Zanaletti | | D9/432 |
| 7,527,189 | B2 | * | 5/2009 | Billig et al. | | 229/149 |
| D594,323 | S | * | 6/2009 | Friedman et al. | | D9/423 |
| 7,569,008 | B2 | * | 8/2009 | Aldridge et al. | | 206/449 |

1 Claim, 4 Drawing Sheets



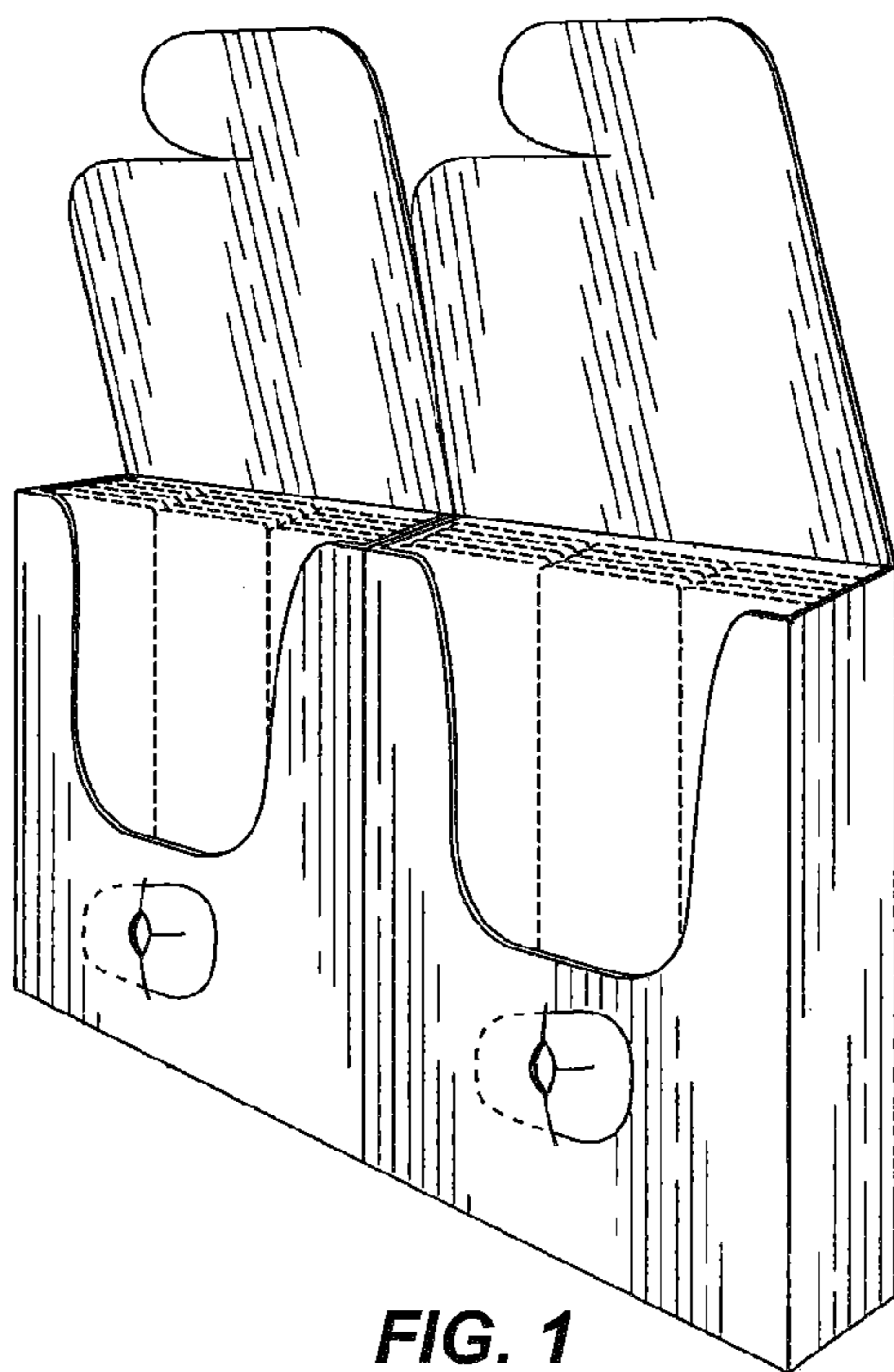


FIG. 1

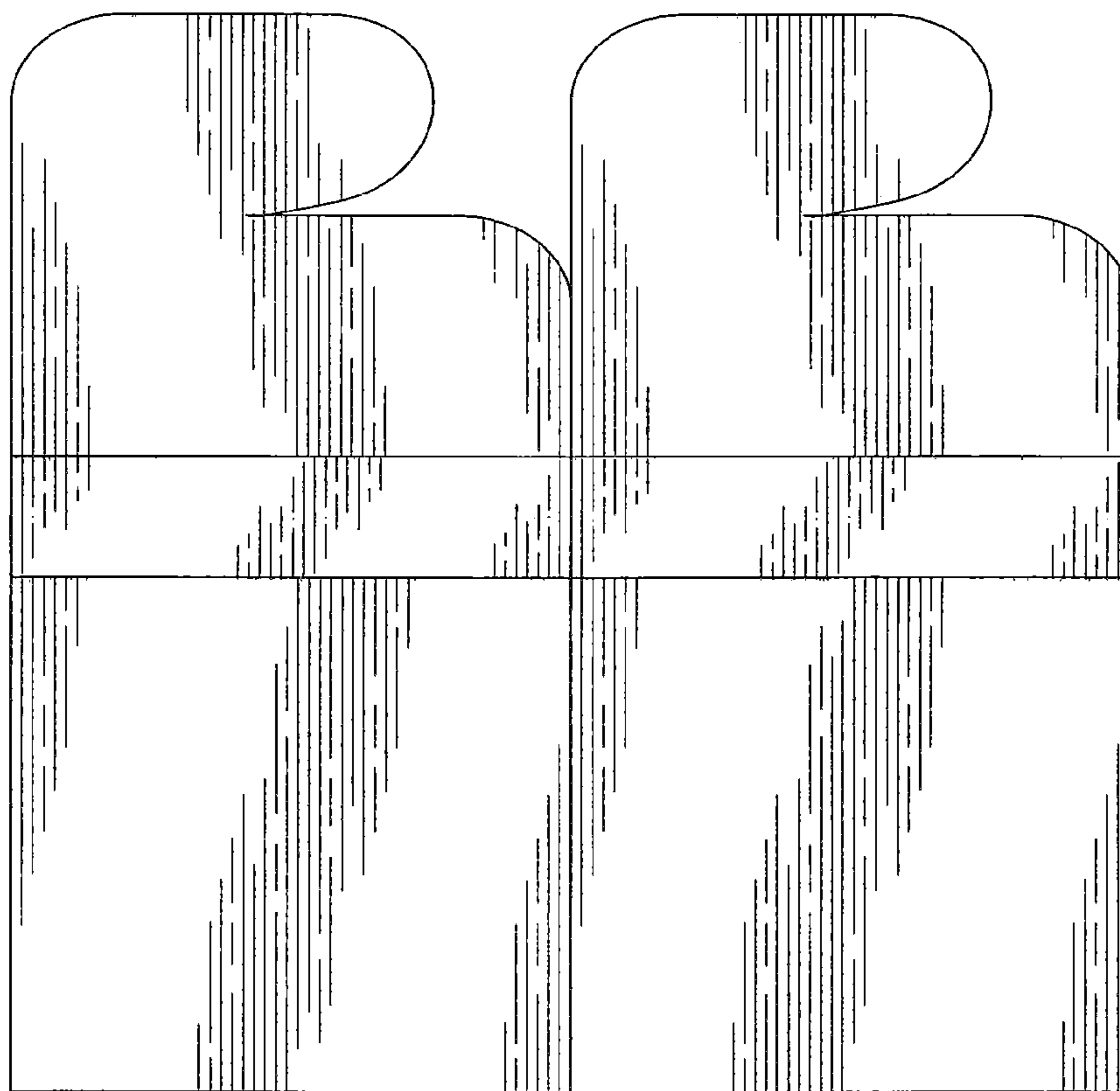


FIG. 2

FIG. 3

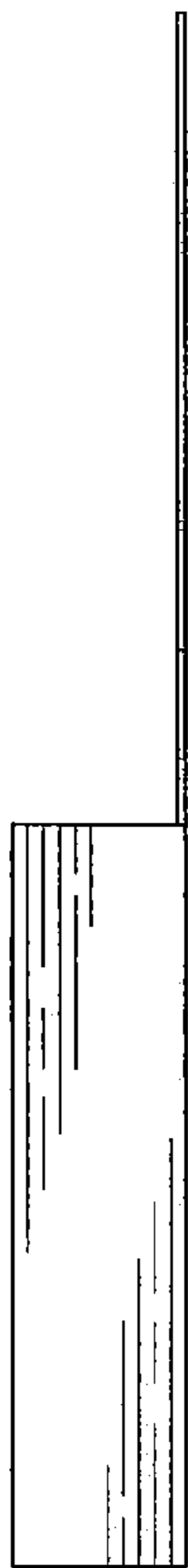


FIG. 4

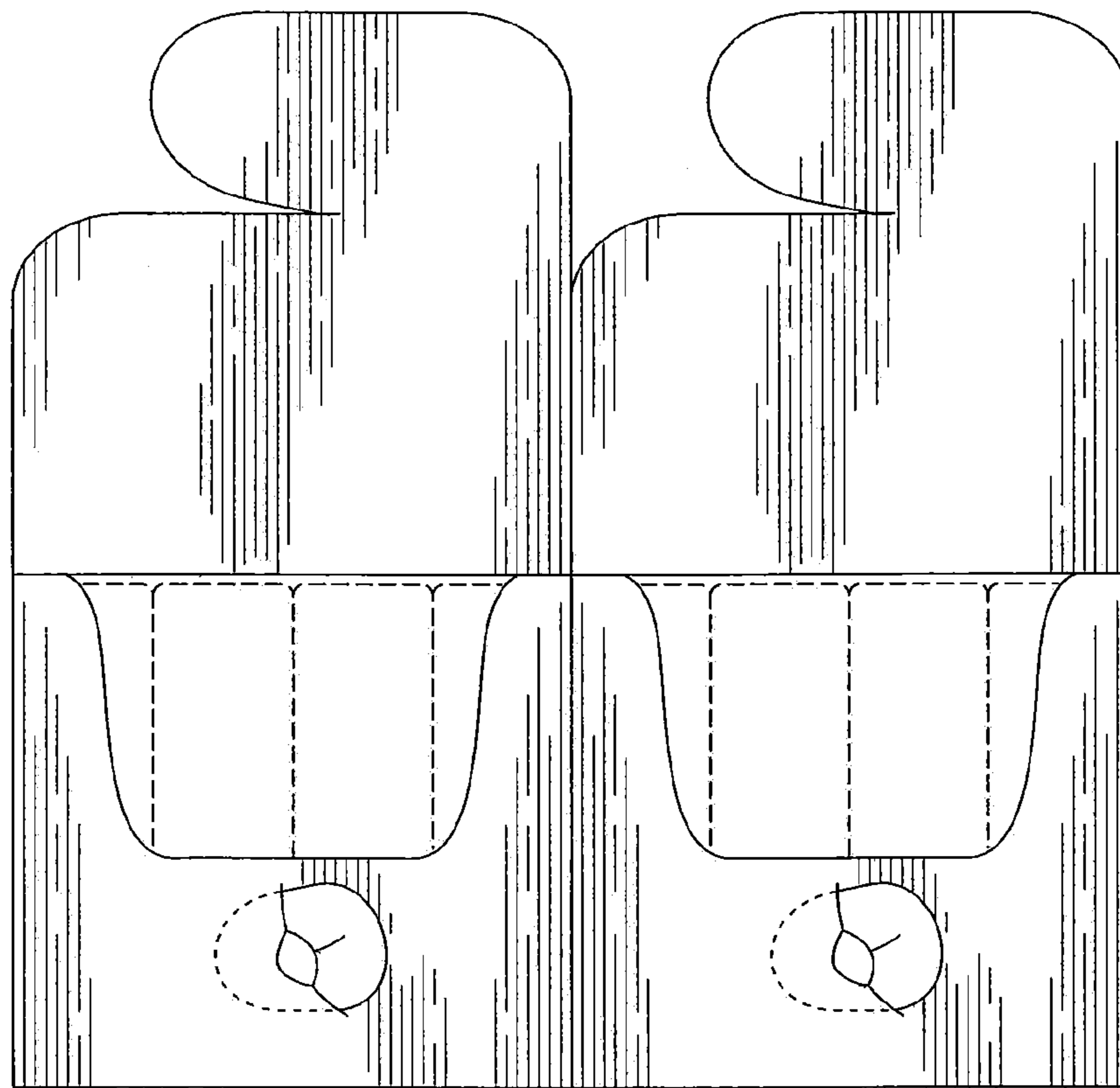
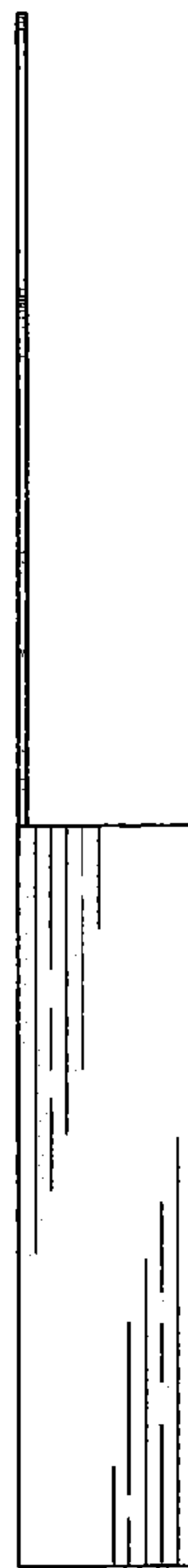


FIG. 5

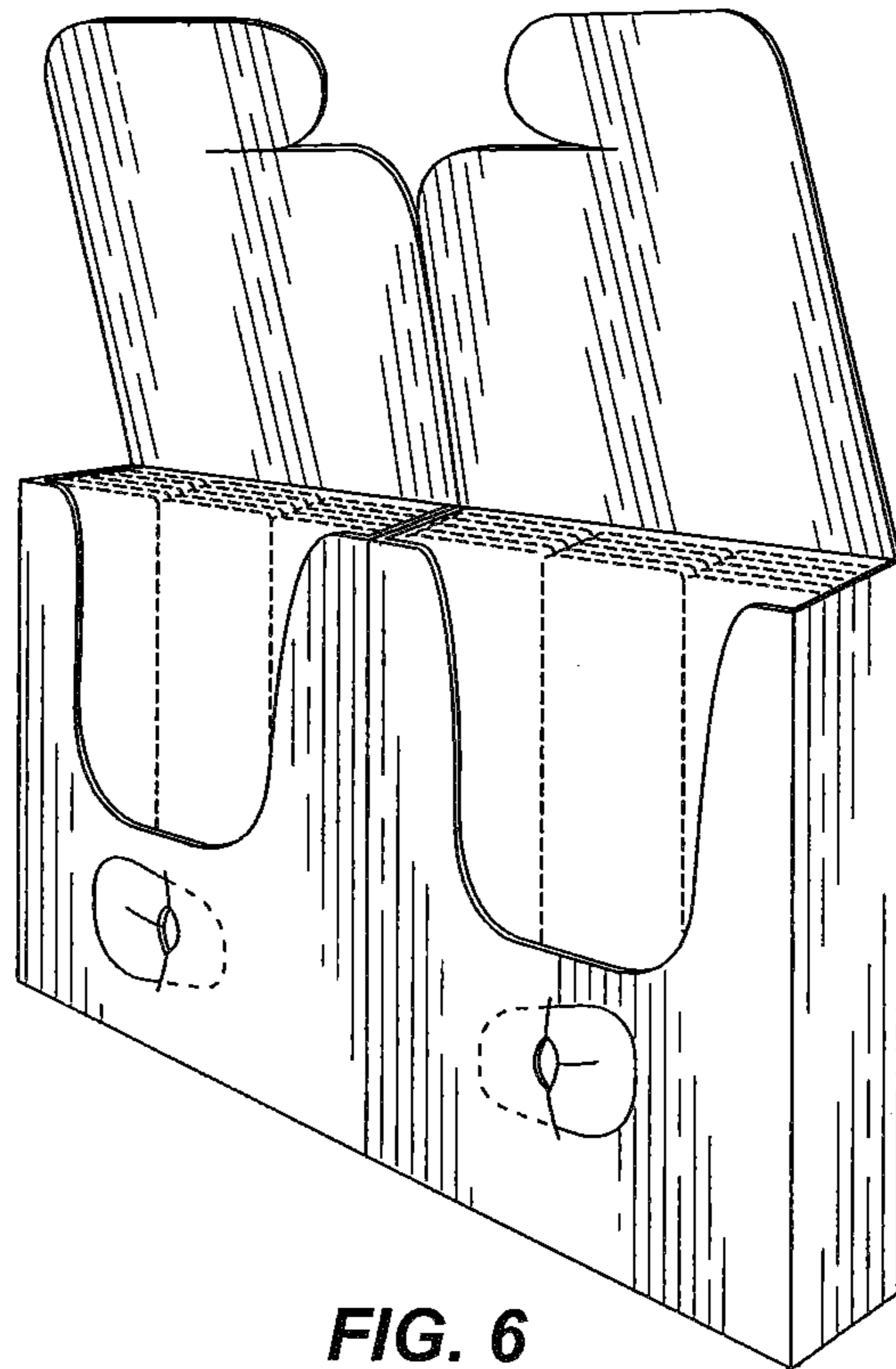


FIG. 6

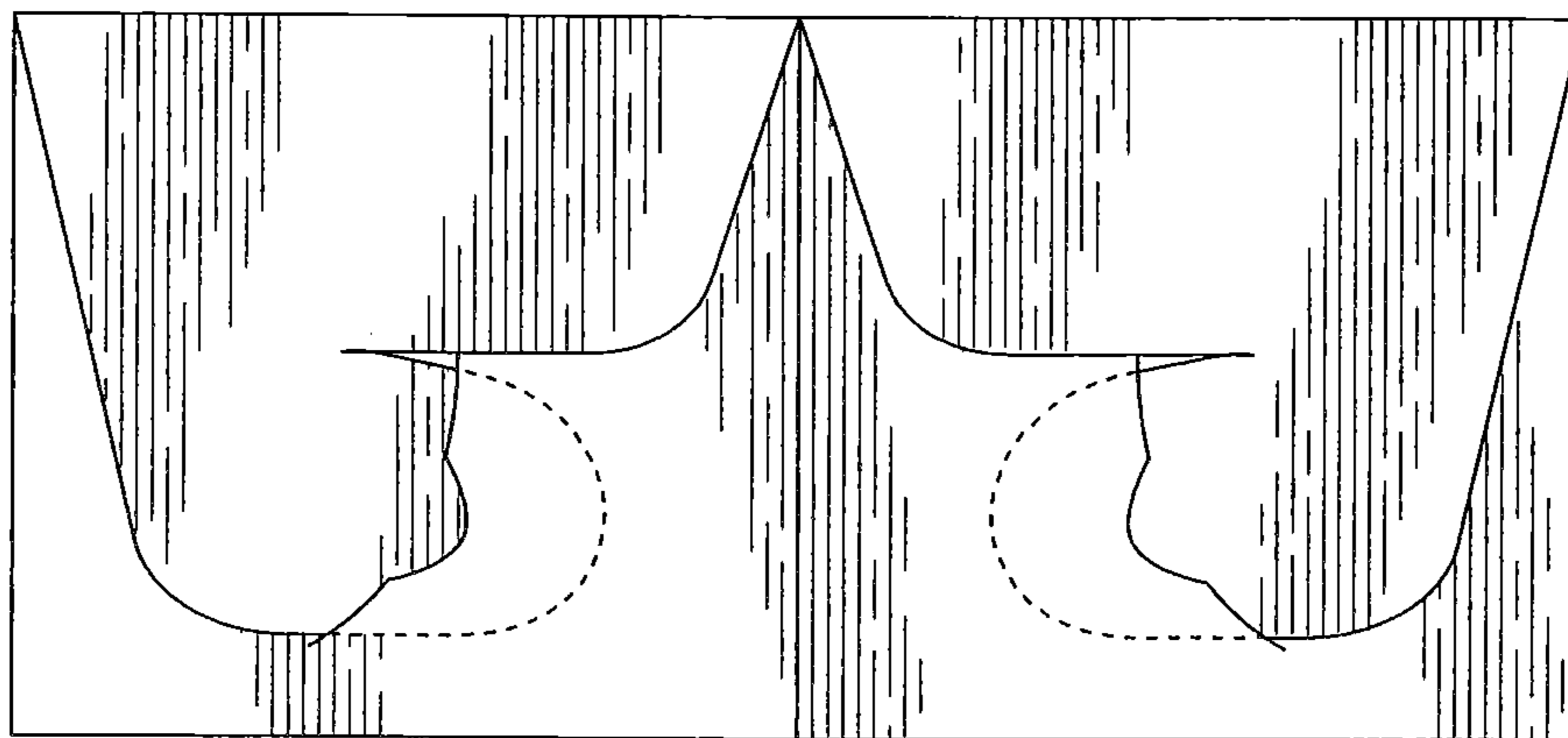


FIG. 7

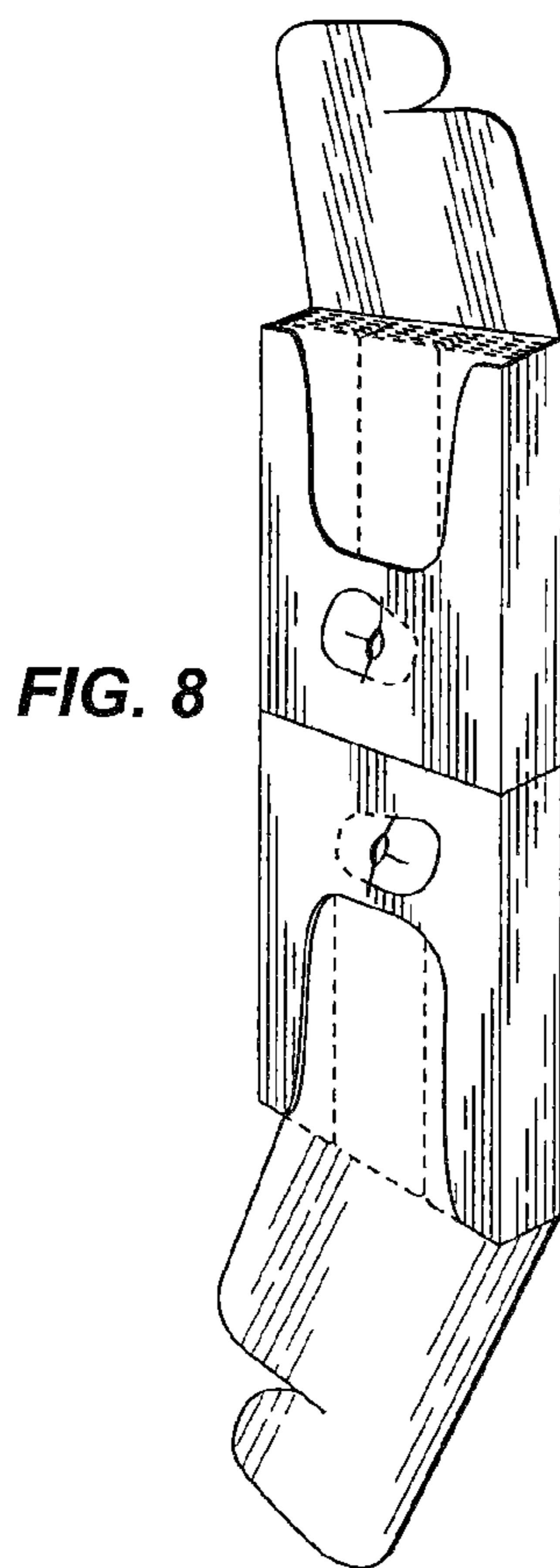


FIG. 8

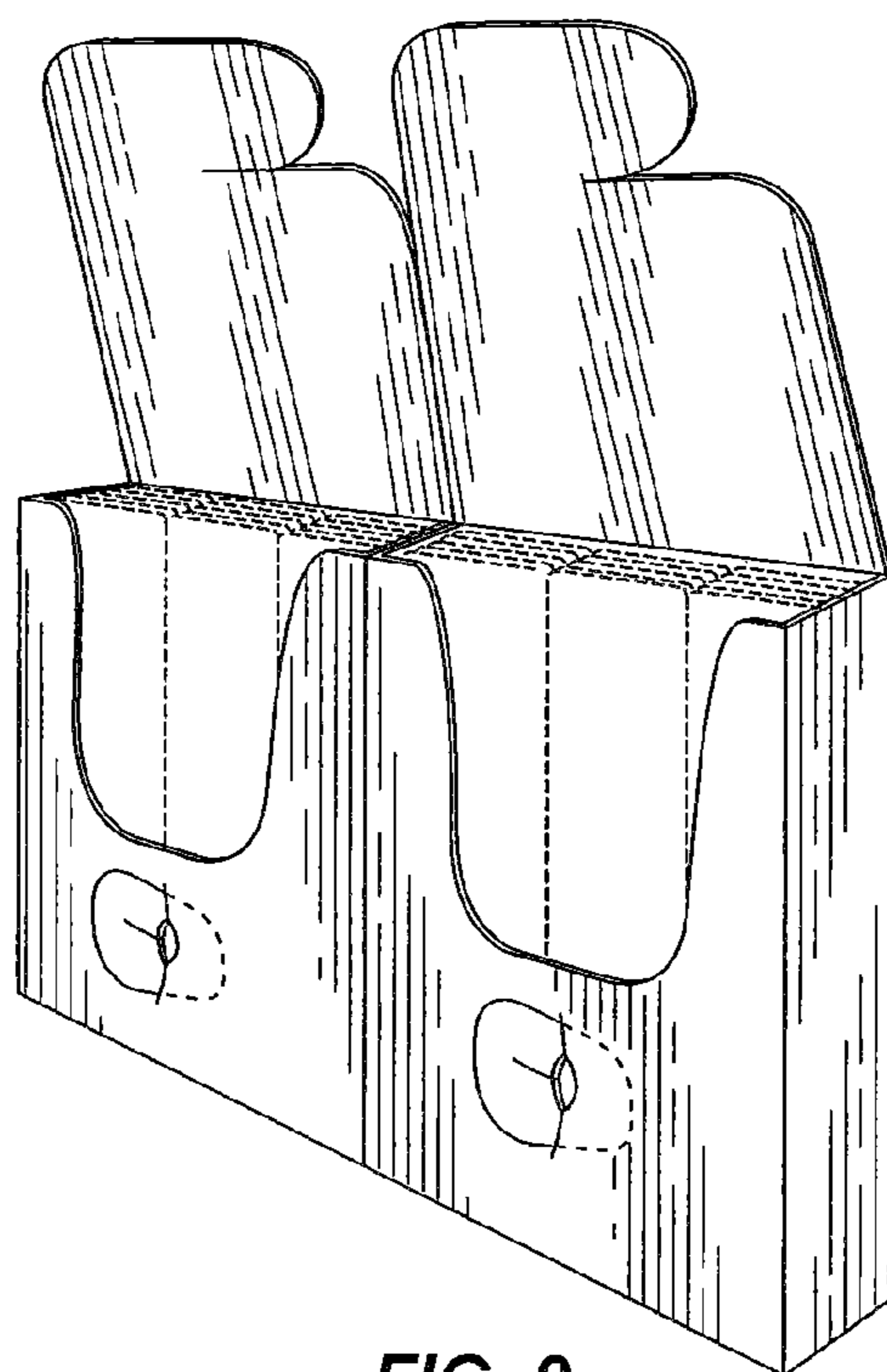


FIG. 9