



US00D699564S

(12) **United States Design Patent**
Petzl

(10) **Patent No.:** **US D699,564 S**

(45) **Date of Patent:** **** Feb. 18, 2014**

(54) **PACKAGE**

(71) Applicant: **Zedel**, Crolles (FR)

(72) Inventor: **Paul Petzl**, Barraux (FR)

(73) Assignee: **Zedel**, Crolles (FR)

(**) Term: **14 Years**

(21) Appl. No.: **29/460,385**

(22) Filed: **Jul. 10, 2013**

(30) **Foreign Application Priority Data**

Jan. 14, 2013 (EP) 002166173-0001

(51) **LOC (10) Cl.** **09-09**

(52) **U.S. Cl.**
USPC **D9/418**

(58) **Field of Classification Search**

USPC D9/456, 715, 517, 430, 431, 432, 433,
D9/414-419, 423, 424, 428, 426, 499, 454,
D9/744, 748, 749, 501, 503, 722, 736;
206/769, 773, 775-778, 395, 397-98,
206/223, 736, 756, 495, 349, 760, 541,
206/784; 229/162.1, 162.3, 162.7, 107,
229/122, 395, 938, 902, 409, 125.05, 116.1

See application file for complete search history.

(56) **References Cited**

U.S. PATENT DOCUMENTS

D298,412 S * 11/1988 Ciuba D9/430
D313,753 S * 1/1991 Nagasaka D9/415
D436,531 S * 1/2001 Holmes et al. D9/418
D472,810 S * 4/2003 Gelardi et al. D9/428
D614,022 S * 4/2010 Melnick D9/415
D684,457 S * 6/2013 Salow et al. D9/415
2003/0155271 A1 * 8/2003 Menceles 206/583

OTHER PUBLICATIONS

http://www.cpcpkg.com/magazine/03_03_southpack.php.*

* cited by examiner

Primary Examiner — Robert M Spear

Assistant Examiner — Rhea Shields

(74) *Attorney, Agent, or Firm* — Oliff PLC

(57) **CLAIM**

The ornamental design for a package, as shown and described.

DESCRIPTION

FIG. 1 is a perspective view of a package;

FIG. 2 is a front view thereof;

FIG. 3 is a top view thereof;

FIG. 4 is a right side view thereof;

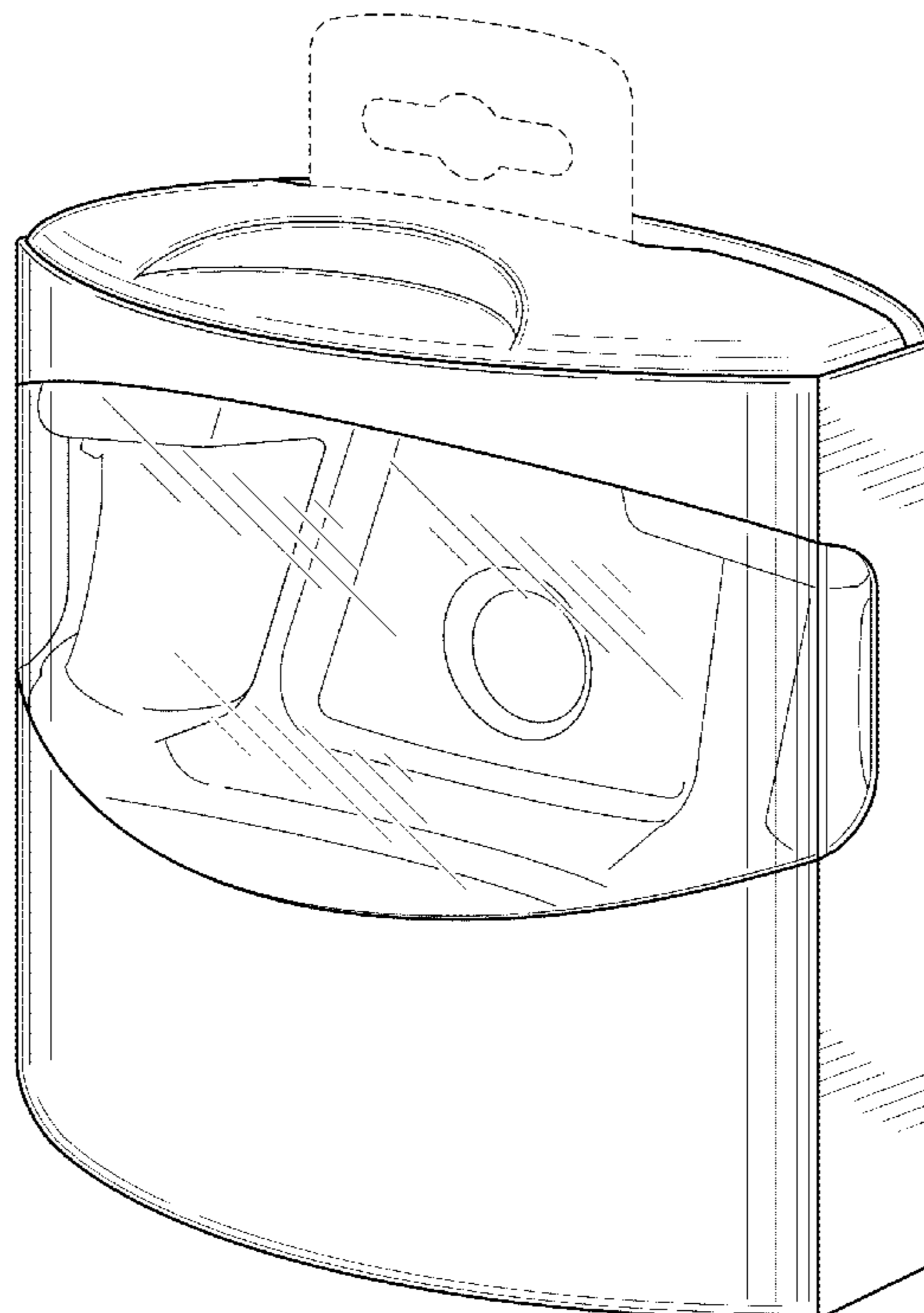
FIG. 5 is a left side view thereof;

FIG. 6 is a rear view thereof; and,

FIG. 7 is a bottom view thereof.

The broken lines depict environmental subject matter only and form no part of the claimed design.

1 Claim, 6 Drawing Sheets



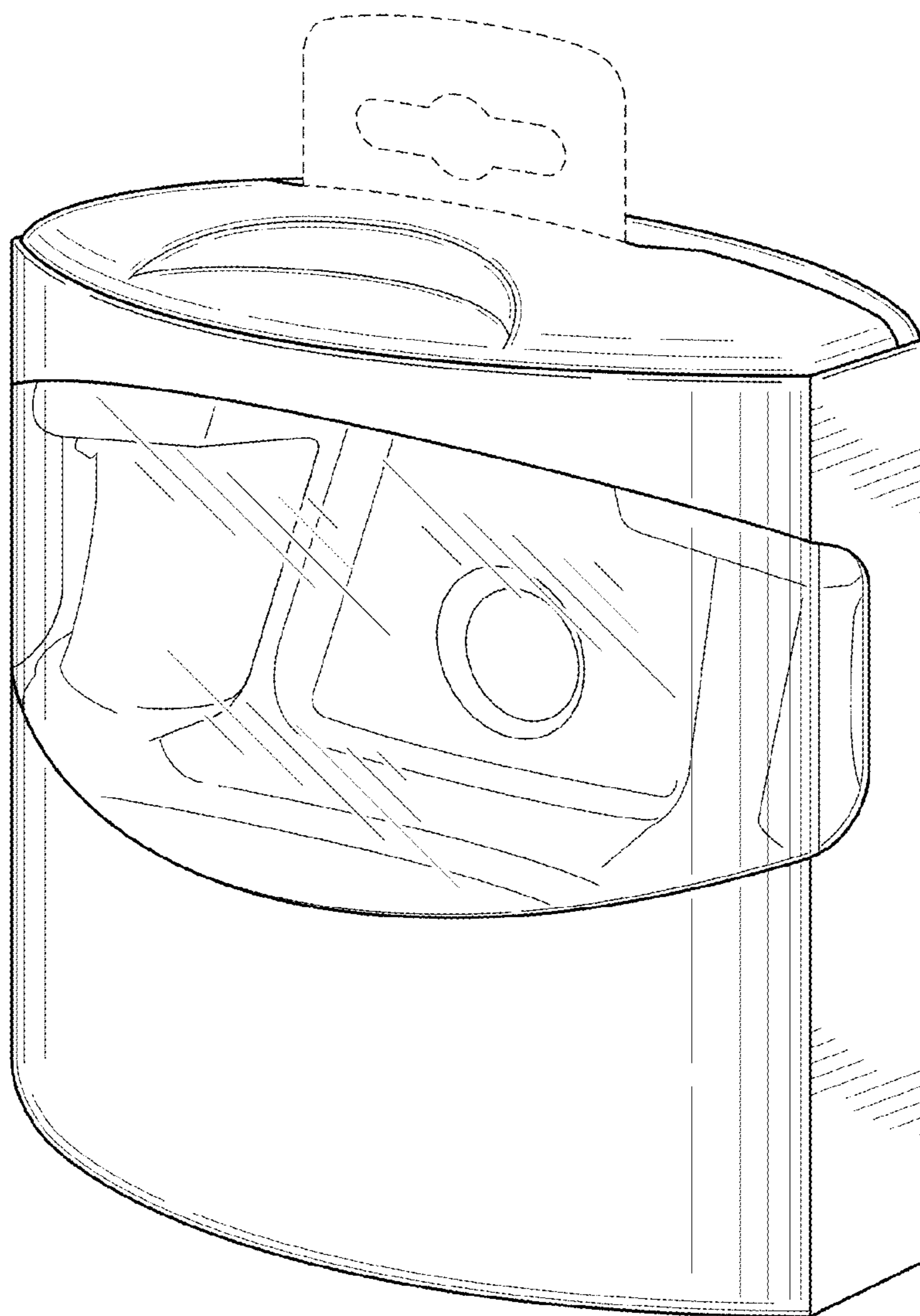


FIG. 1

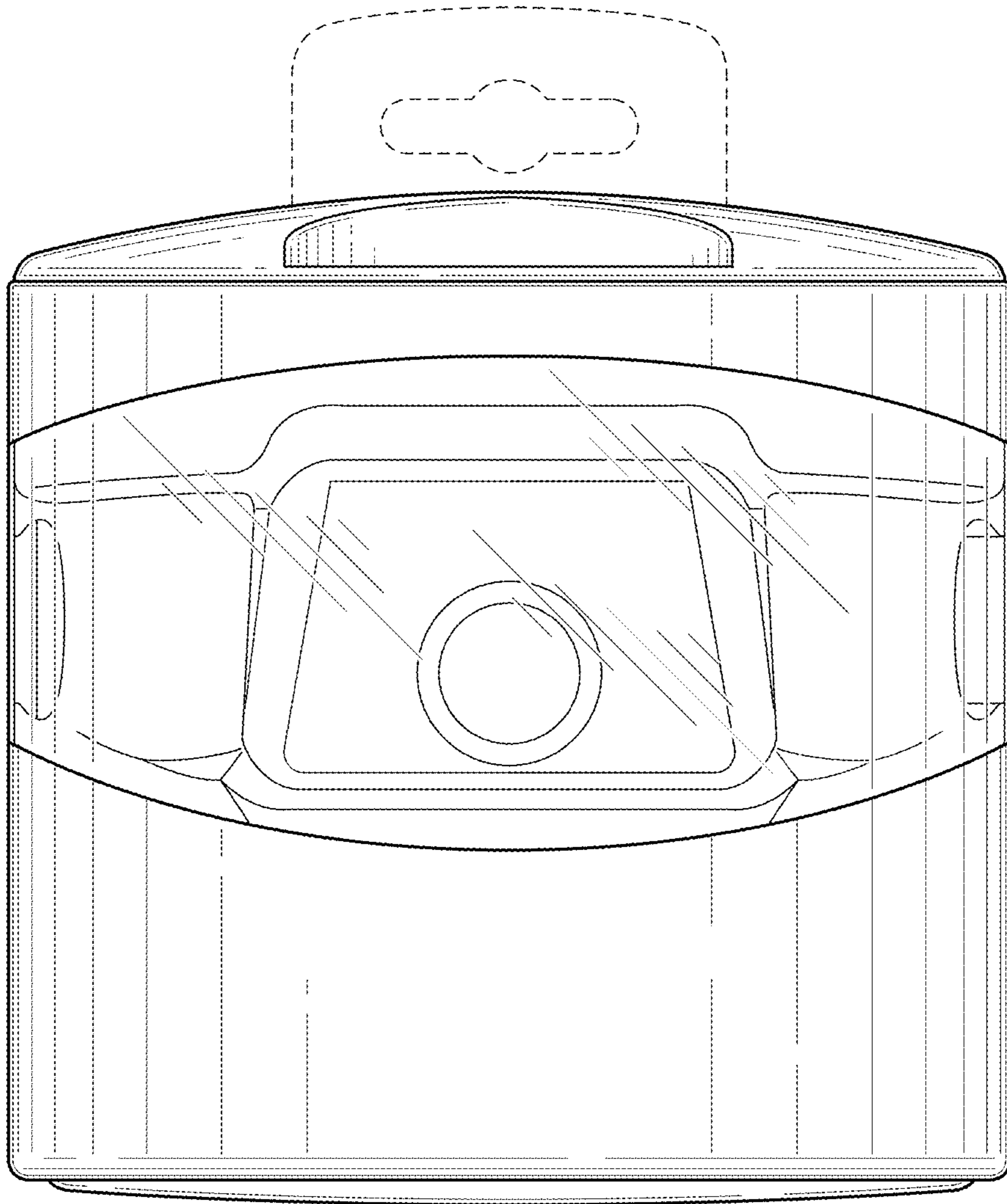


FIG. 2

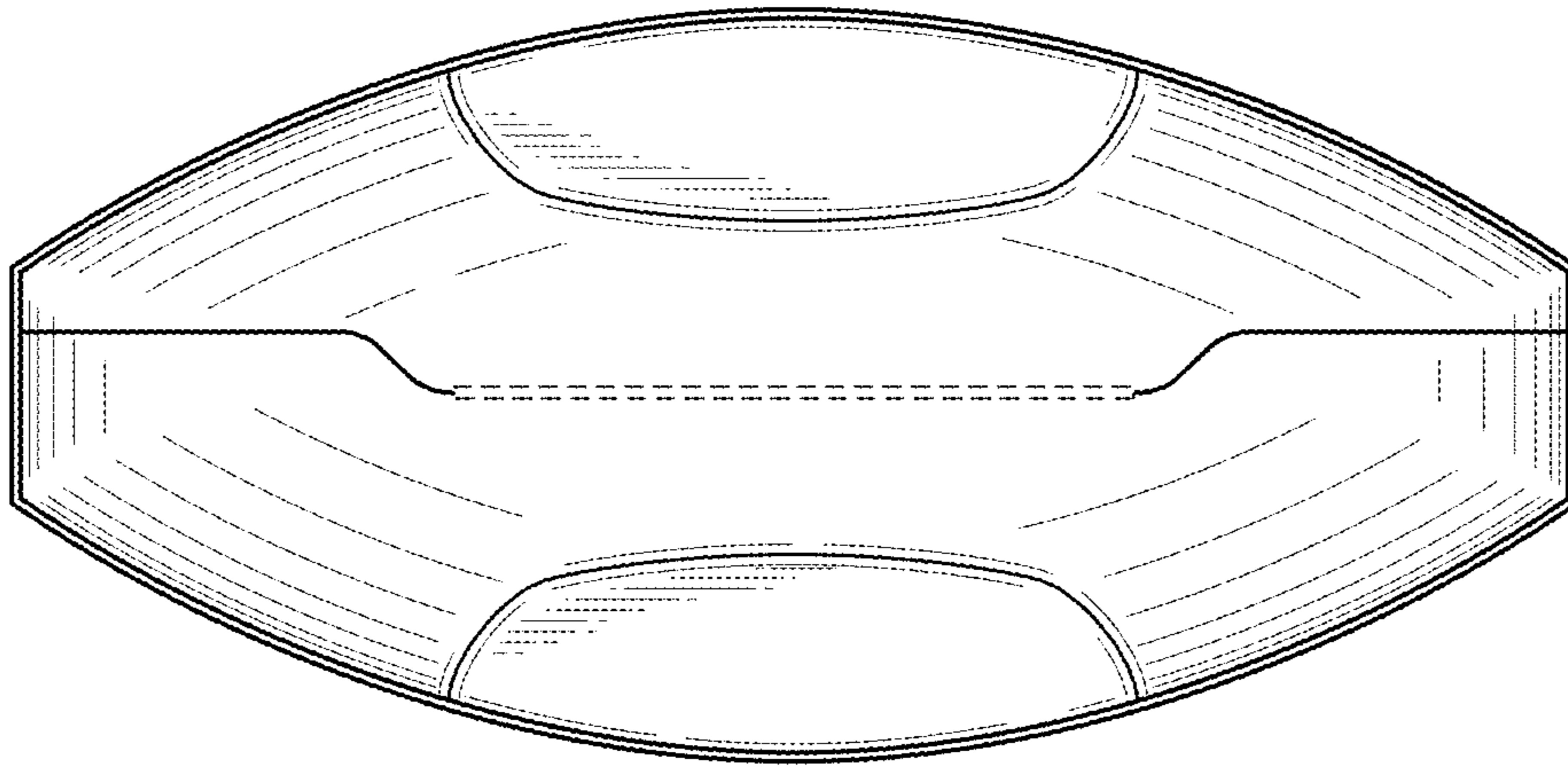


FIG. 3

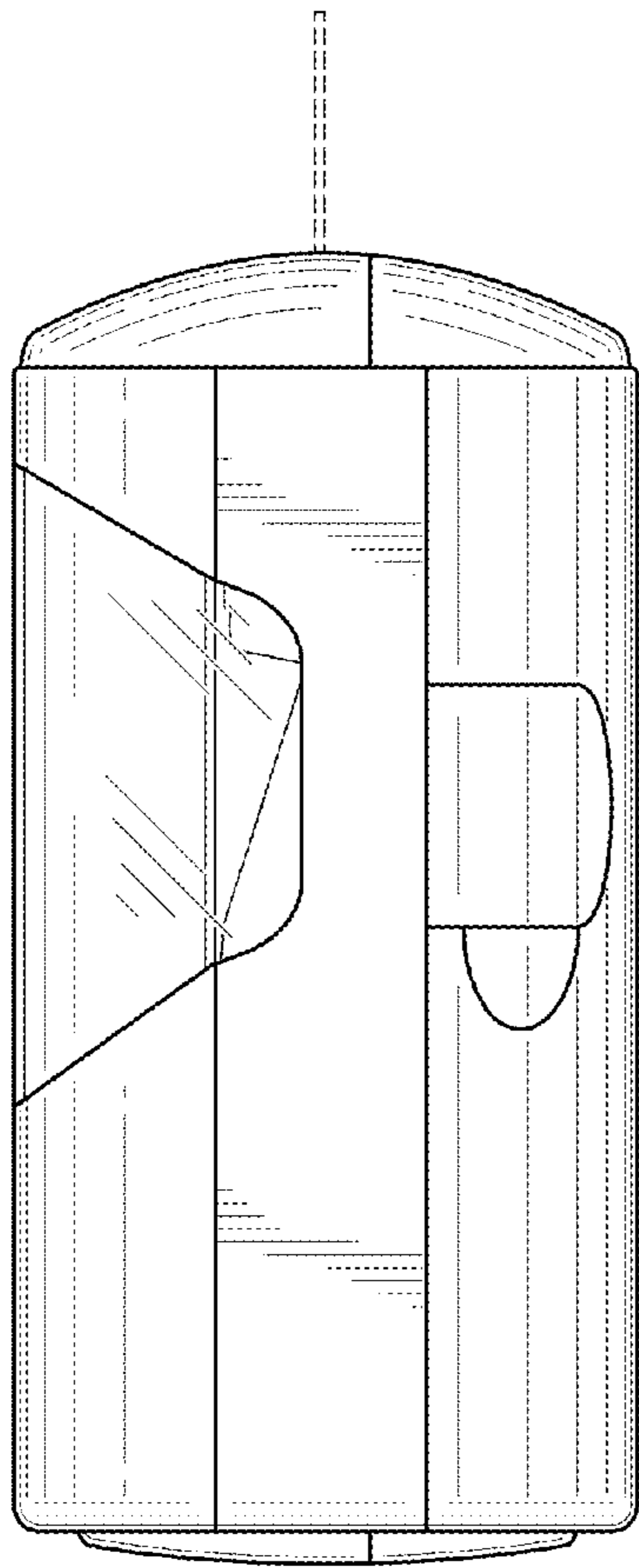


FIG. 4

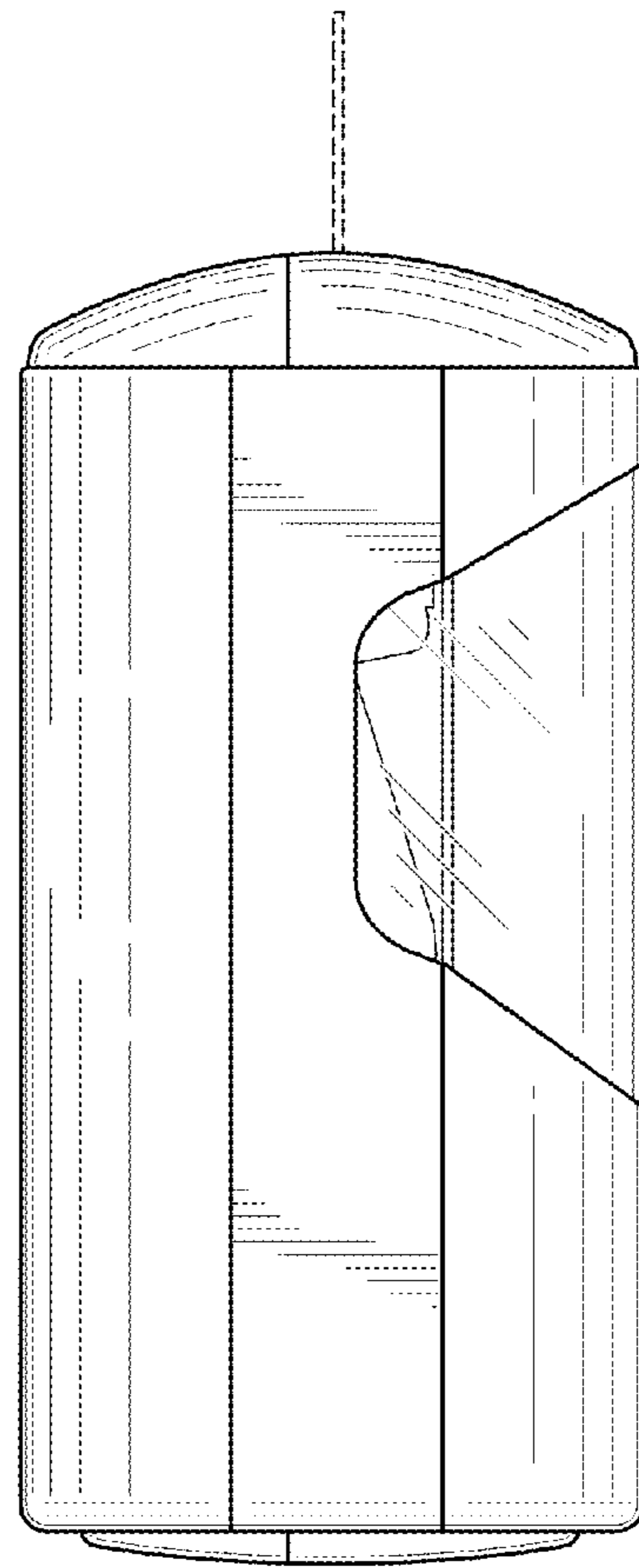


FIG. 5

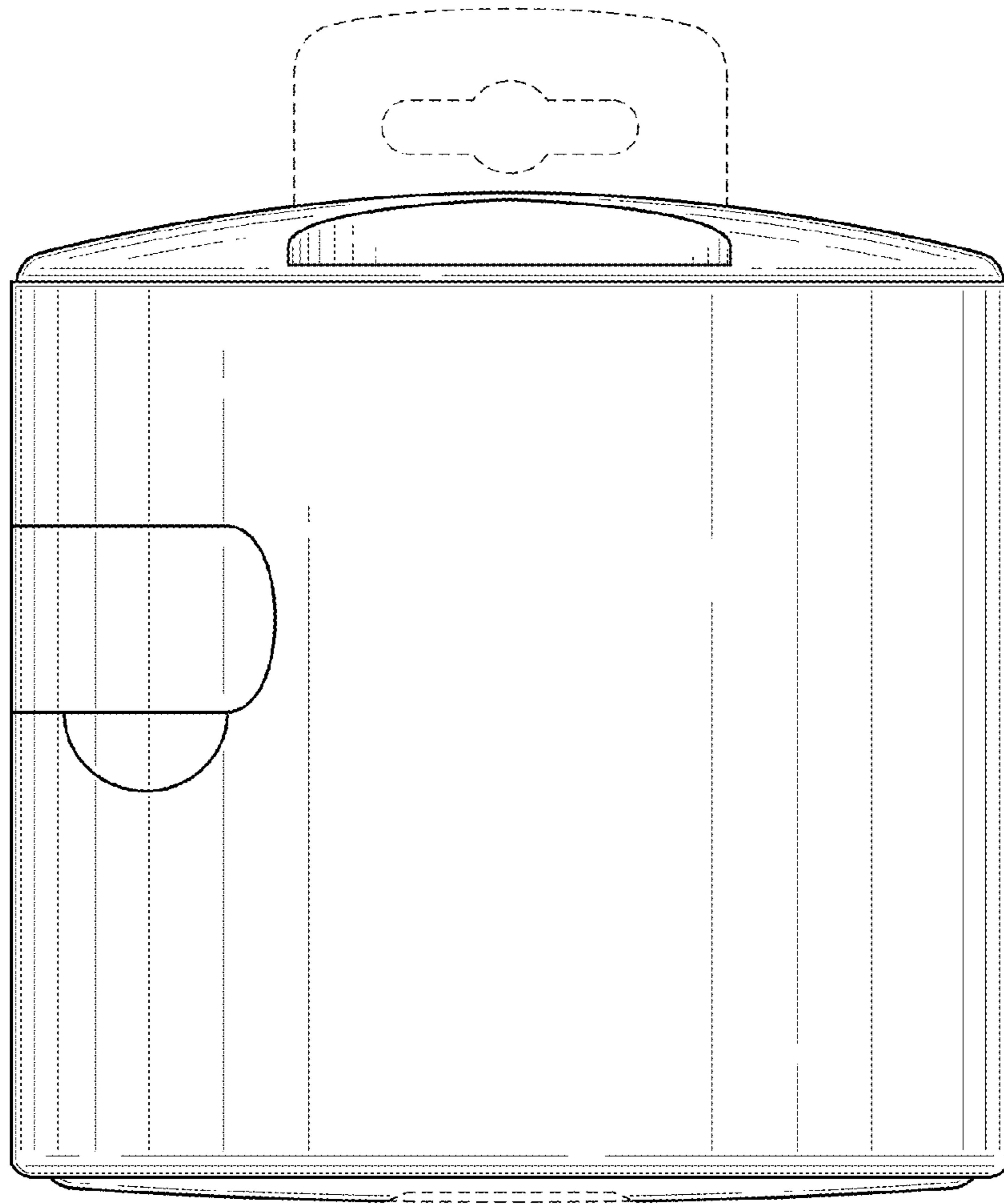


FIG. 6

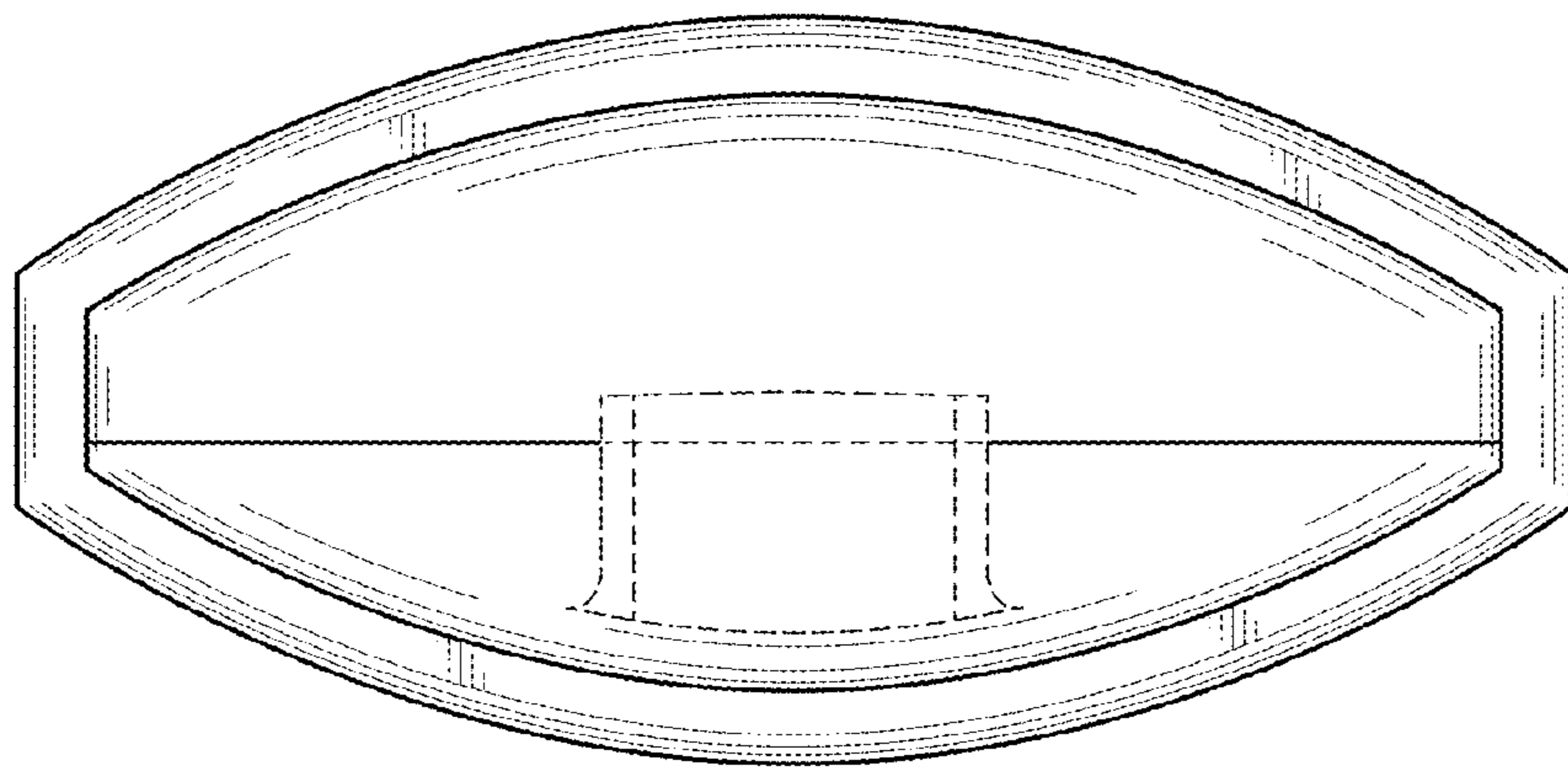


FIG. 7