

US00D699558S

(12) **United States Design Patent**
Smith et al.

(10) **Patent No.:** **US D699,558 S**
(45) **Date of Patent:** **** Feb. 18, 2014**

(54) **GLAND NUT**

(71) Applicant: **Thomas & Betts International, Inc.**,
Wilmington, DE (US)

(72) Inventors: **William Smith**, Kirkland (CA); **Marc Brodeur**, St-Jean sur Richelieu (CA)

(73) Assignee: **Thomas & Betts International, Inc.**,
Wilmington, DE (US)

(**) Term: **14 Years**

(21) Appl. No.: **29/448,622**

(22) Filed: **Mar. 13, 2013**

(51) **LOC (10) Cl.** **08-08**

(52) **U.S. Cl.**
USPC **D8/397**

(58) **Field of Classification Search**
USPC D8/397, 394, 382, 399, 356, 354, 349;
D15/140; 16/2.1; 220/575; 206/521.15;
24/302, 16 R, 306; 439/501, 578;
381/374; D14/217, 205; 411/302, 427,
411/429, 432, 918, 179, 180; D13/151, 133
See application file for complete search history.

(56) **References Cited**

U.S. PATENT DOCUMENTS

1,029,775	A *	6/1912	Tobin	411/191
2,552,794	A *	5/1951	Kimbell	411/427
2,727,551	A *	12/1955	Rees	411/303
D220,027	S *	3/1971	Myers	D8/397
D223,187	S *	3/1972	Wing	D8/397
3,702,628	A *	11/1972	Cosenza	411/280
D233,652	S *	11/1974	Wing	D8/397
4,019,550	A *	4/1977	DeHaitre	411/303
D244,908	S *	7/1977	Hatter et al.	D8/397
D244,909	S *	7/1977	Gill	D8/397
D311,131	S *	10/1990	Saito	D8/397
6,071,052	A *	6/2000	Kerr	411/302
D446,111	S *	8/2001	Hussaini	D8/397

D459,207	S *	6/2002	Miyata	D8/397
D519,076	S *	4/2006	Fox	D13/133
7,063,565	B2 *	6/2006	Ward	439/578
D535,259	S *	1/2007	Rodrigues et al.	D13/151
D551,972	S *	10/2007	Jacobs et al.	D9/445
D581,777	S *	12/2008	Huang	D8/397
D601,507	S *	10/2009	Rodrigues	D13/151

(Continued)

OTHER PUBLICATIONS

Interactive Catalogue, Hawke International, pp. cover page, 1-80,
back page, www.ehawke.com, Feb. 21, 2004.

(Continued)

Primary Examiner — Cynthia Underwood

(74) *Attorney, Agent, or Firm* — Hoffmann & Baron, LLP

(57) **CLAIM**

The ornamental design for a gland nut, as shown and described.

DESCRIPTION

FIG. 1 is a rear perspective view of the gland nut of the present invention.

FIG. 2 is a side plan view of the gland nut of the present invention.

FIG. 3 is a front plan view of the gland nut of the present invention.

FIG. 4 is a rear plan view of the gland nut of the present invention.

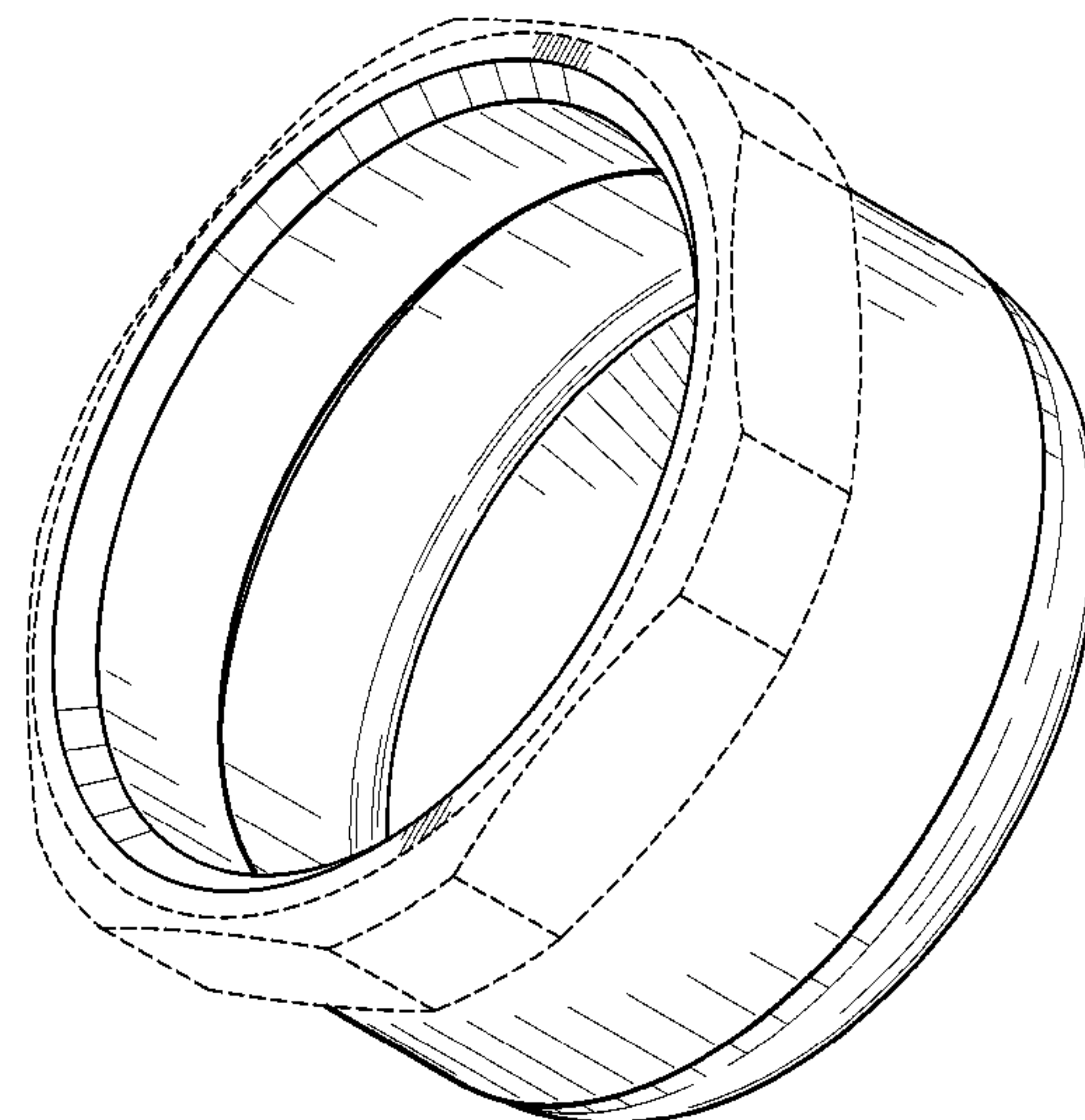
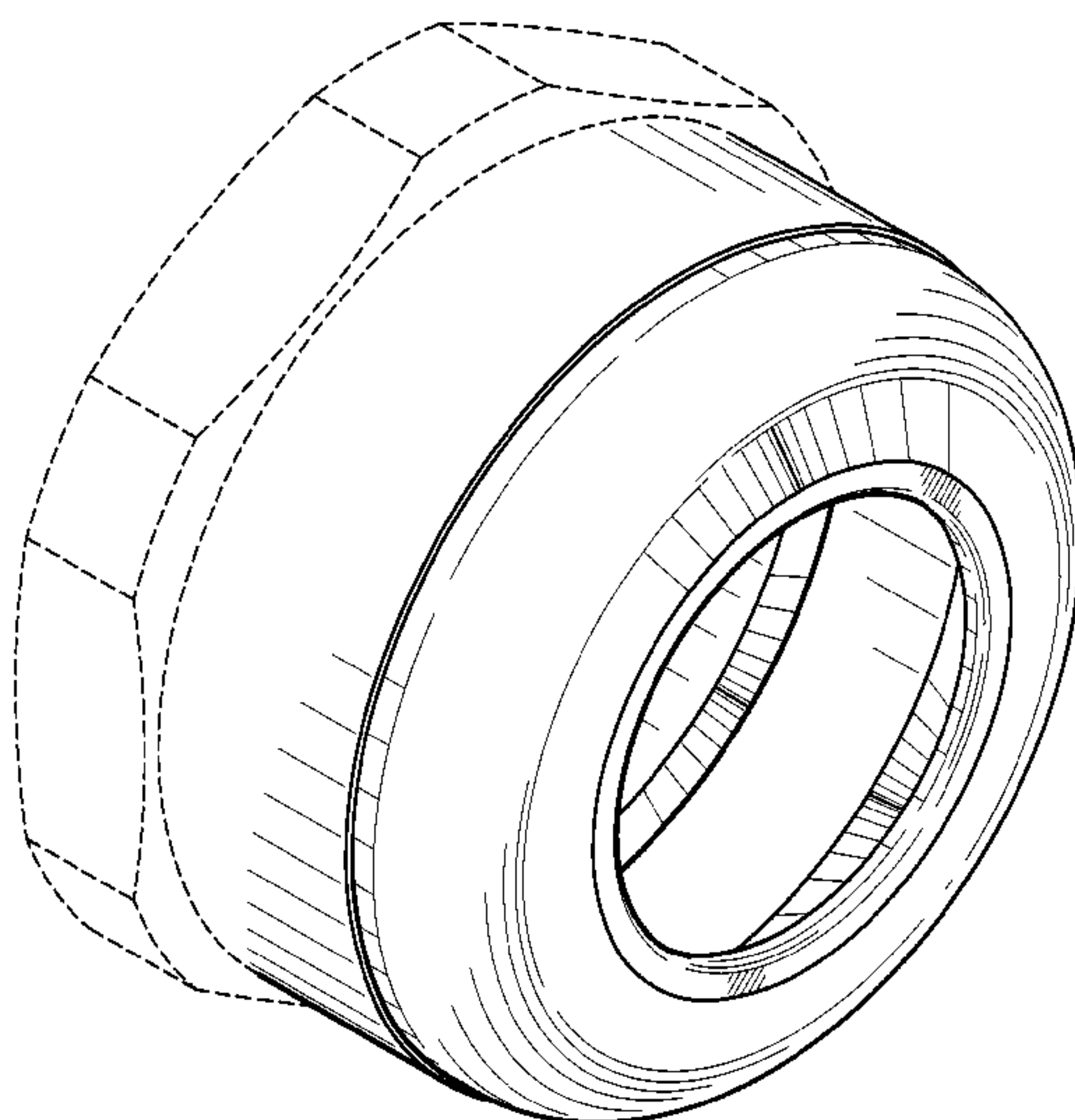
FIG. 5 is a side plan view of the gland nut of the present invention.

FIG. 6 is a front perspective view of the gland nut of the present invention; and,

FIG. 7 is a cross sectional view taken along line 7-7 on FIG. 4.

The broken line portion of the Figures is included to show unclaimed subject matter and forms no part of the claimed design.

1 Claim, 4 Drawing Sheets



(56)

References Cited

U.S. PATENT DOCUMENTS

8,210,783	B2 *	7/2012	Morrison	411/9
D679,988	S *	4/2013	Yamazaki	D8/397
2003/0039527	A1 *	2/2003	Schatz	411/9
2005/0136735	A1 *	6/2005	Rodrigues et al.	439/578

OTHER PUBLICATIONS

Global Cable Gland Solutions, Cooper Crouse-Hinds, www.cmp-products.com/catalogues.php, pp. 1-64, 2013.
 Rapid EX, CMP Products, CMP Products, www.cmp-products.com, pp. cover page, 1-11, 2011.
 A2F Hazardous Area Cable Connector, CMP Products, www.cmp-products.com, pp. 1-21, TPC 180, Issue 1—Feb. 2009.
 Industrial and Hazardous Area Cable Glands and Accessories, CMP Products, www.cmp-products.com, pp. cover page, 1-184, TPC 2007—Issue Sep. 2007.
 Industrial and Explosive Atmosphere Cable Glands and Accessories, Australia Brochure, CMP Products, www.cmp-products.com.au, pp. cover page, 1-15, SFC 3002 Issue 2: Jun. 2012.

Cable Glands and Connectors, CMP Products, www.cmp-products.com, pp. cover page, 1-18, TPC168—Issue 1—Nov. 2008.
 C2KX Hazardous Area Cable Connector, CMP Products, www.cmp-products.com, pp. 1-2, TPC 181—Issue 1—Feb. 2009.
 D3CDS Hazardous Area Cable Connector, CMP Products, www.cmp-products.com, pp. 1-2, TPC 176—Issue 1—Feb. 2009.
 PX2KX Hazardous Area Cable Connector, CMP Products, www.cmp-products.com, pp. 1-2, TPC 183—Issue 1—Feb. 2009.
 PXSS2K Hazardous Area Cable Connector, CMP Products, www.cmp-products.com, pp. 1-2, TPC 184—Issue 1—Feb. 2009.
 T3CDS Hazardous Area Cable Connector, CMP Products, www.cmp-products.com, pp. 1-2, TPC 171—Issue 1—Jul. 2008.
 TC Cable Connectors, CMP Products, www.cmp-products.com, pp. 1-2, TPC 187—Issue 1—Oct. 2009.
 TMC2 Cable Connectors, CMP Products, www.cmp-products.com, pp. 1-2, TPC 186—Issue 1—Oct. 2009.
 TMC2X Cable Connectors, CMP Products, www.cmp-products.com, pp. 1-2, TPC 185—Issue 1—Oct. 2009.

* cited by examiner

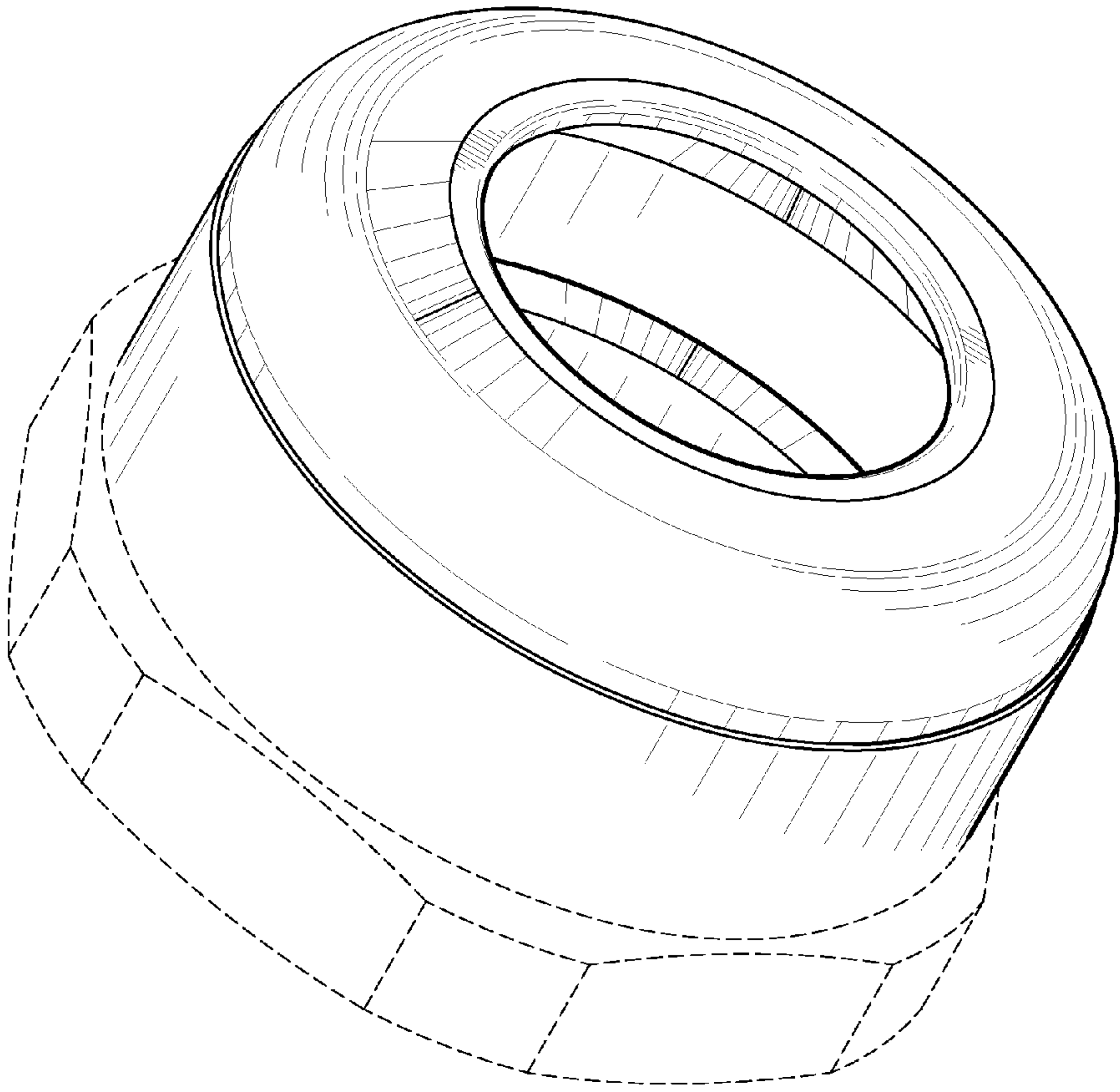


FIG. 1

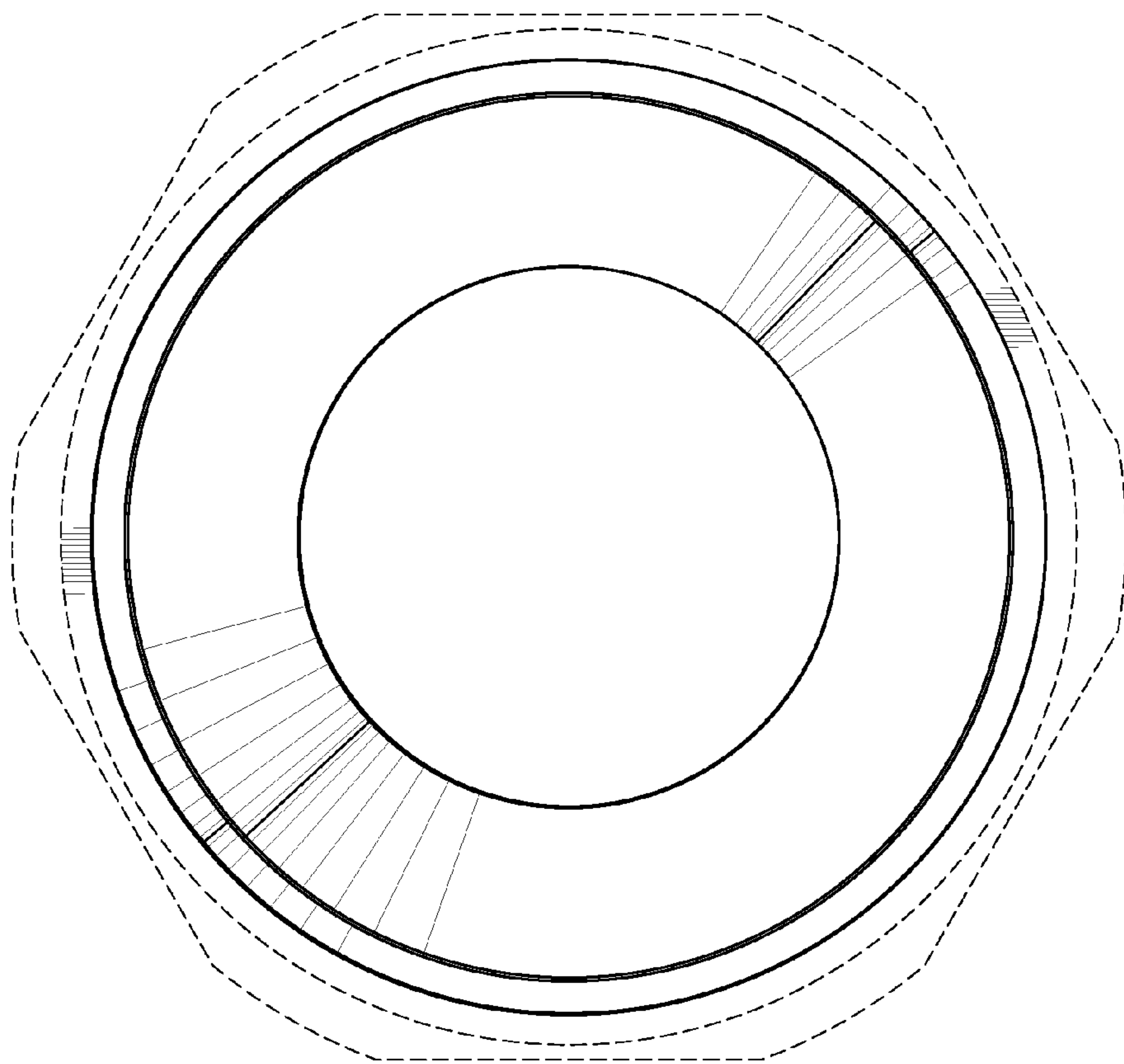


FIG. 3

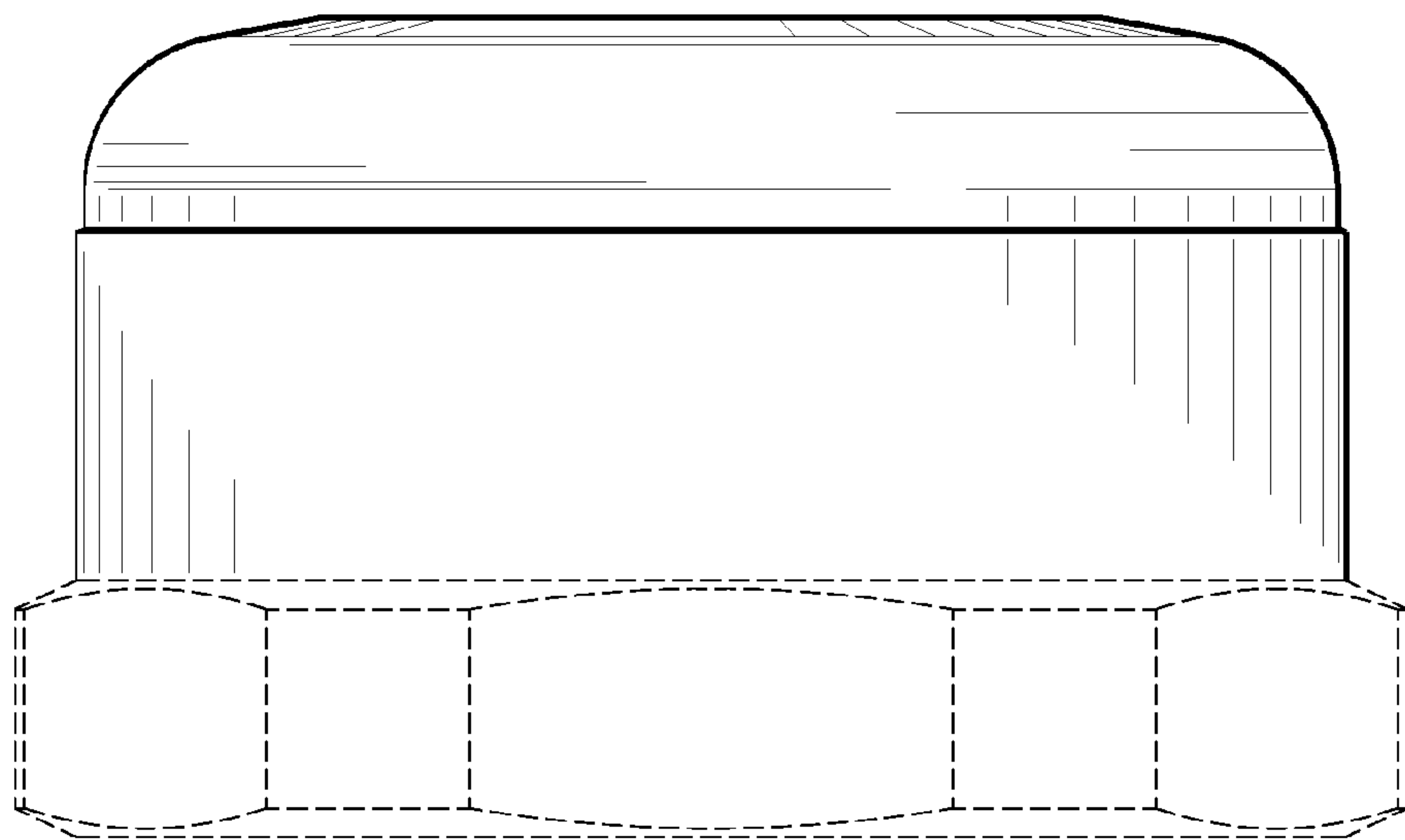


FIG. 2

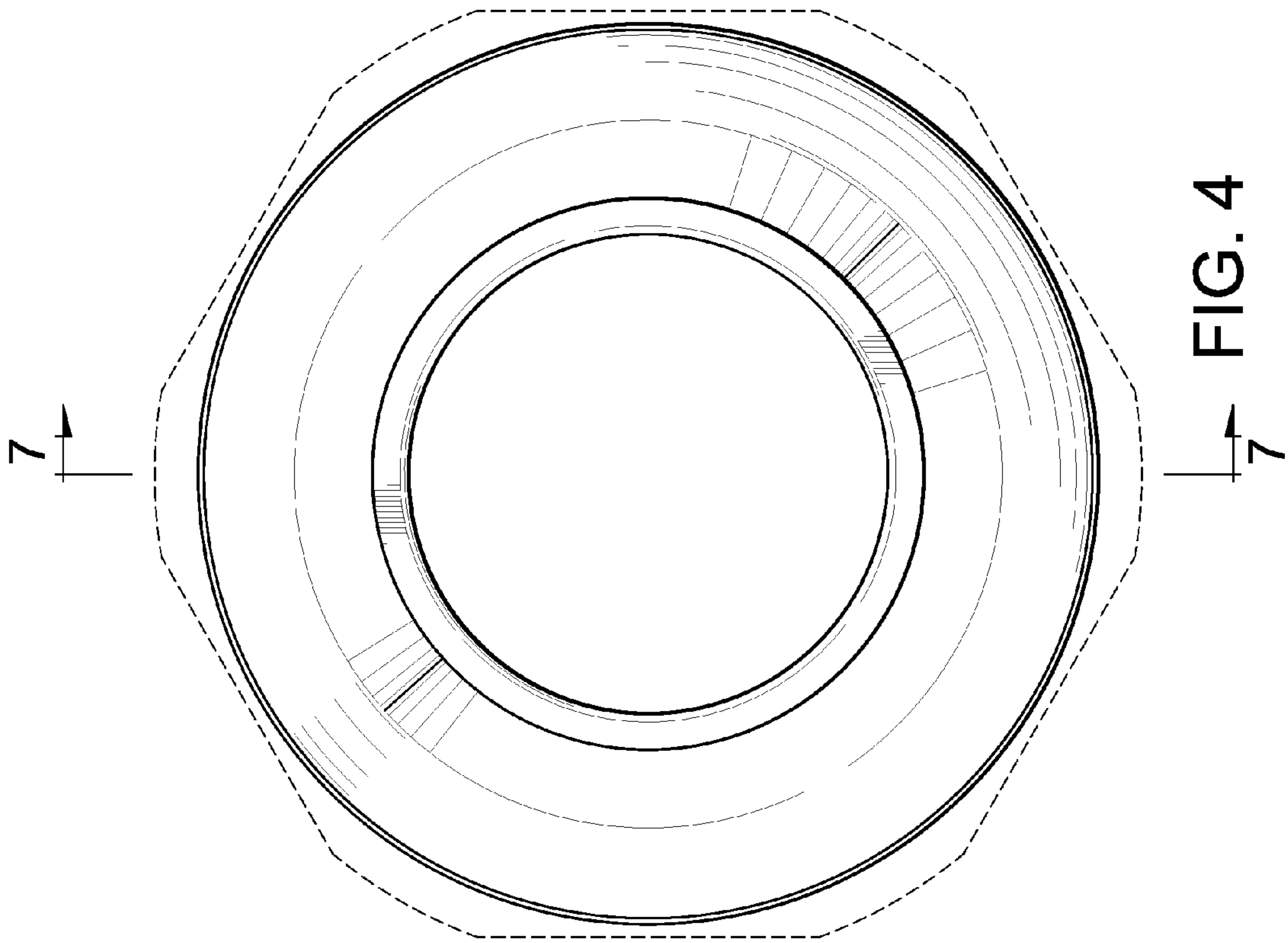
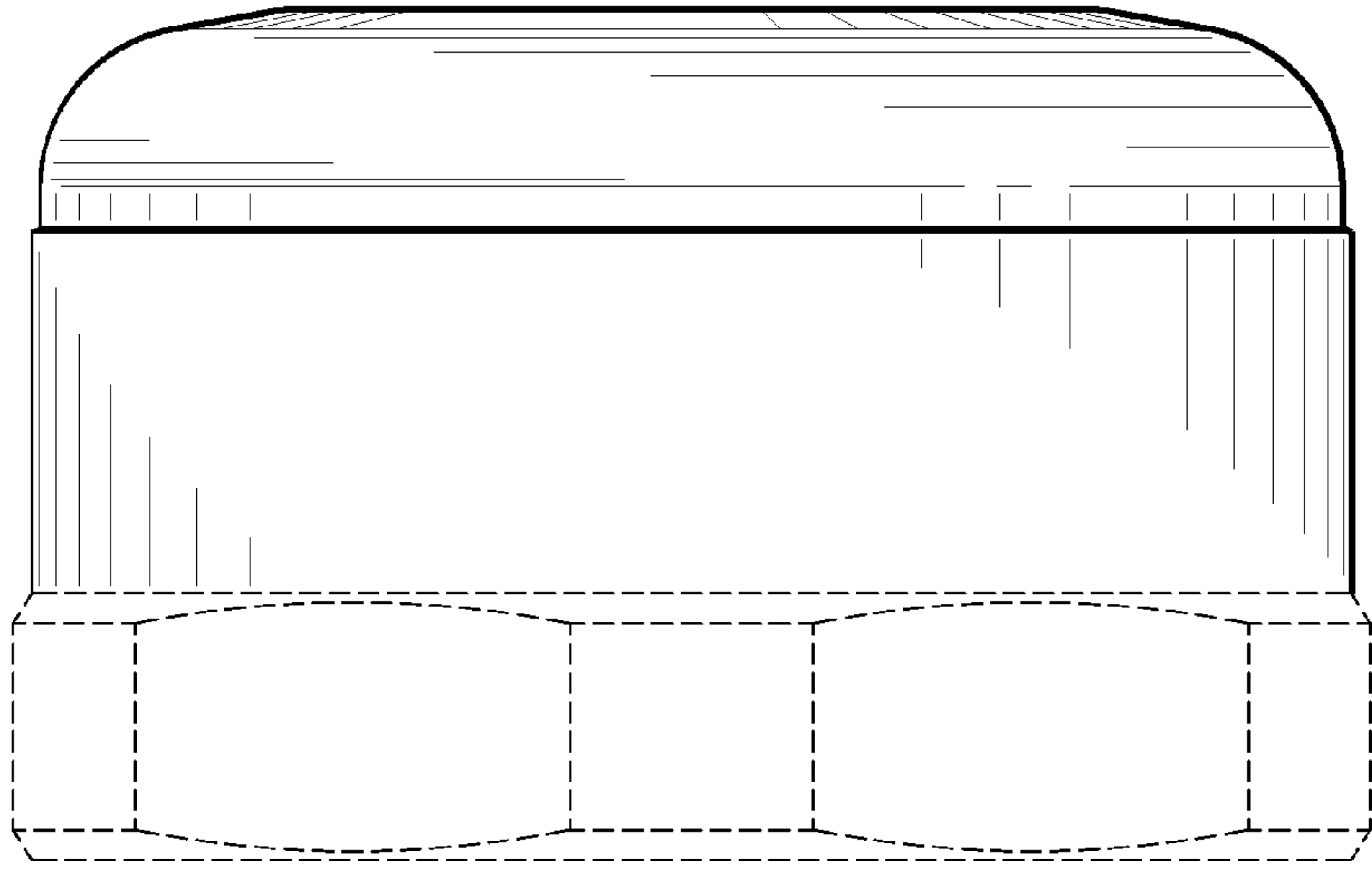


FIG. 5



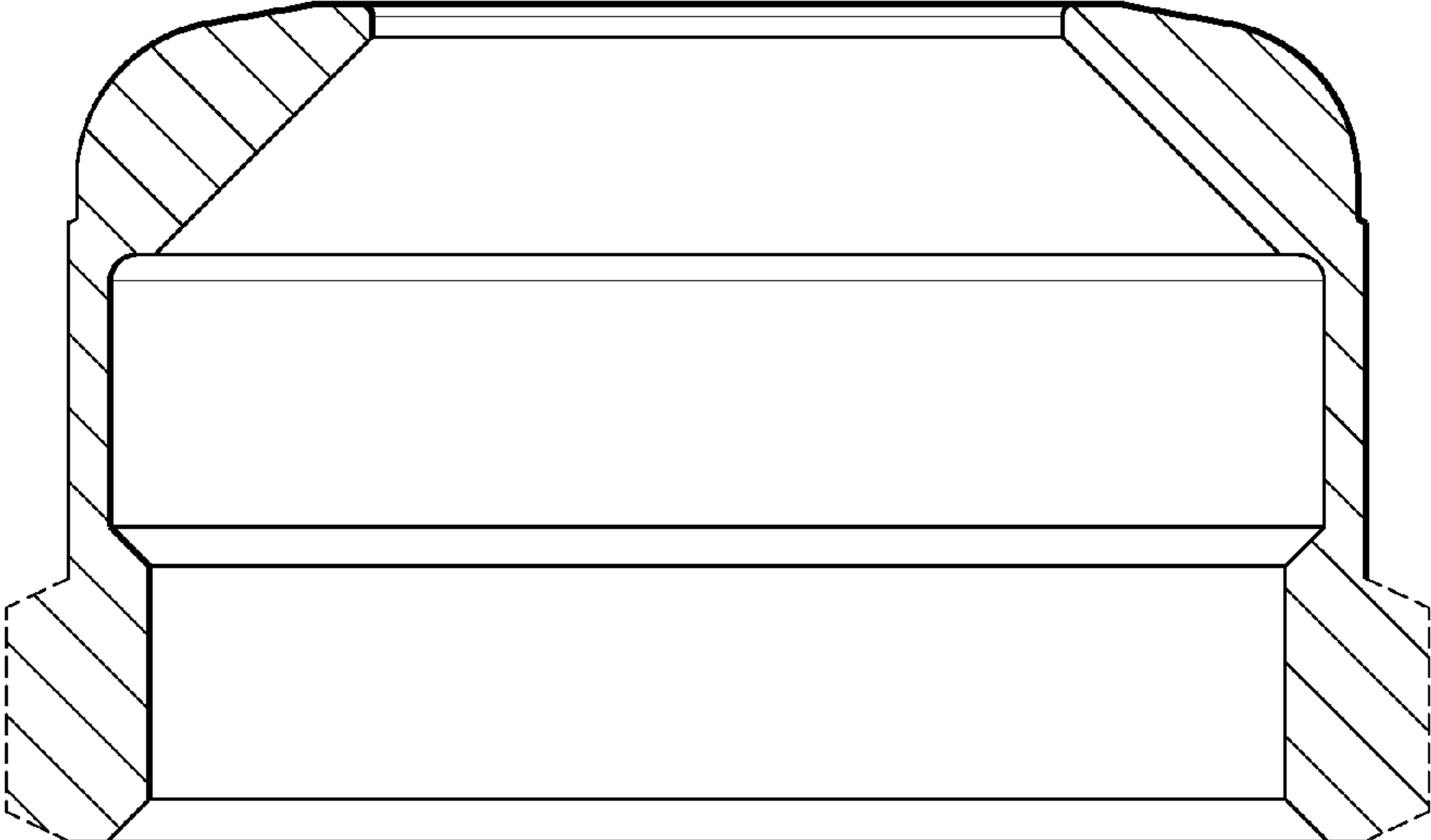


FIG. 7

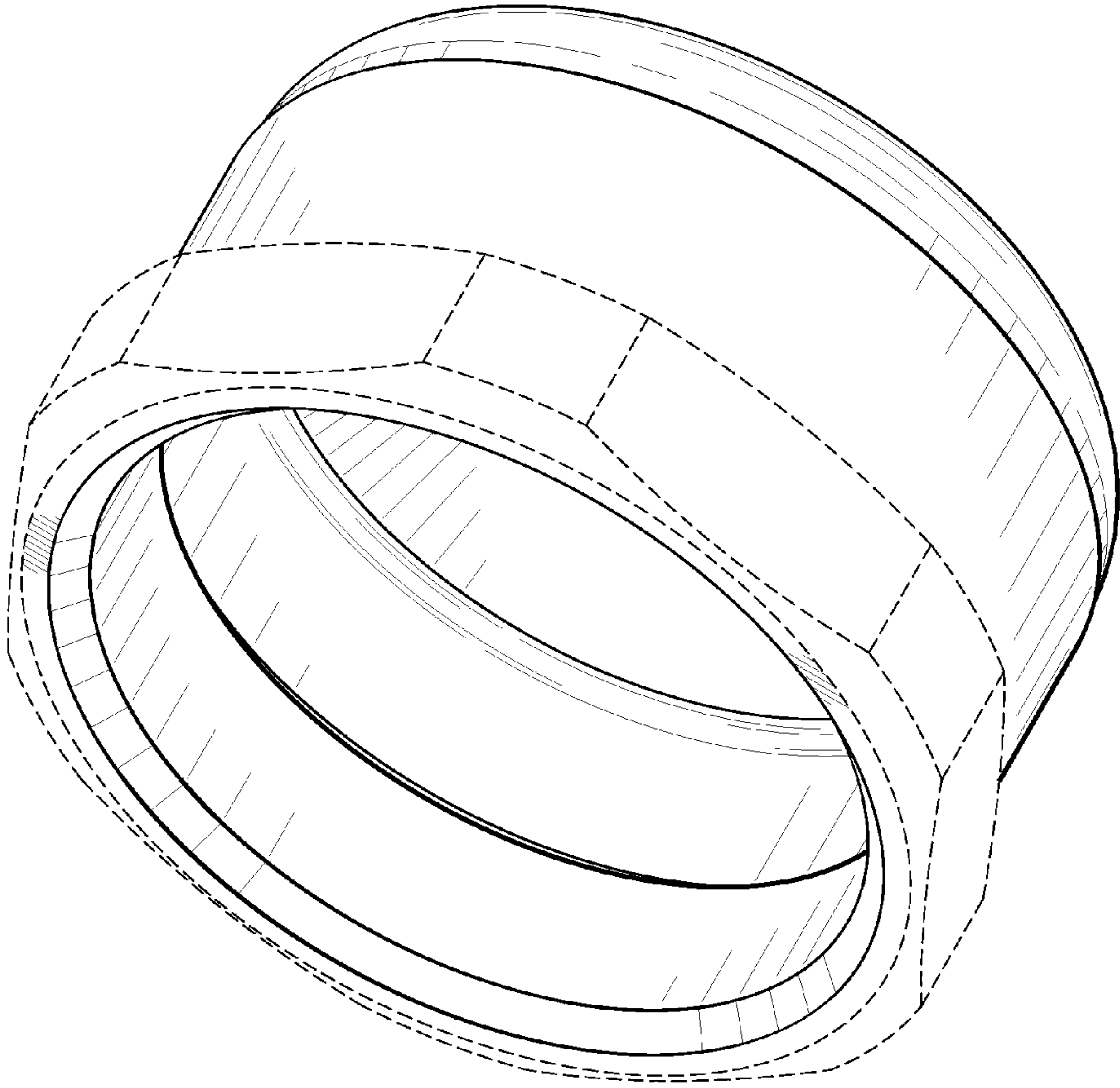


FIG. 6