



US00D699557S

(12) **United States Design Patent**  
**Luchsinger**

(10) **Patent No.:** **US D699,557 S**

(45) **Date of Patent:** **\*\* Feb. 18, 2014**

(54) **BELT CLIP**

(75) Inventor: **Pedro Wirz Luchsinger**, Jalisco (MX)

(73) Assignee: **Swissmex-Rapid, S.A. de C.V.**, Lagos de Moreno, Jalisco (MX)

(\*\*) Term: **14 Years**

(21) Appl. No.: **29/430,209**

(22) Filed: **Aug. 22, 2012**

(51) **LOC (10) Cl.** ..... **08-08**

(52) **U.S. Cl.**  
USPC ..... **D8/395**

(58) **Field of Classification Search**  
USPC ..... D8/354, 356, 371, 394-396; D19/65,  
D19/86; D24/128; 248/74.2, 215, 227.1, 49,  
248/300, 301, 316.7, 51, 489; 24/570, 3.12;  
D32/61; D11/78.1

See application file for complete search history.

(56) **References Cited**

**U.S. PATENT DOCUMENTS**

D163,469 S *	5/1951	Moody	.....	D8/383
D373,975 S *	9/1996	Anscher	.....	D11/218
D409,464 S *	5/1999	Garza	.....	D8/34
D414,664 S *	10/1999	Schriever	.....	D8/58
D436,056 S *	1/2001	Oxley	.....	D11/216

D447,721 S *	9/2001	Teabo	.....	D11/216
D474,714 S *	5/2003	Karlsson et al.	.....	D11/216
D519,406 S *	4/2006	Merrill et al.	.....	D11/216
D561,574 S *	2/2008	Lown et al.	.....	D8/395
D646,557 S *	10/2011	Chan	.....	D8/367
D647,819 S *	11/2011	Kolasa	.....	D11/218

\* cited by examiner

*Primary Examiner* — John Windmuller

(74) *Attorney, Agent, or Firm* — Robert D. Buyan; Stout, Uxa, Buyan & Mullins, LLP

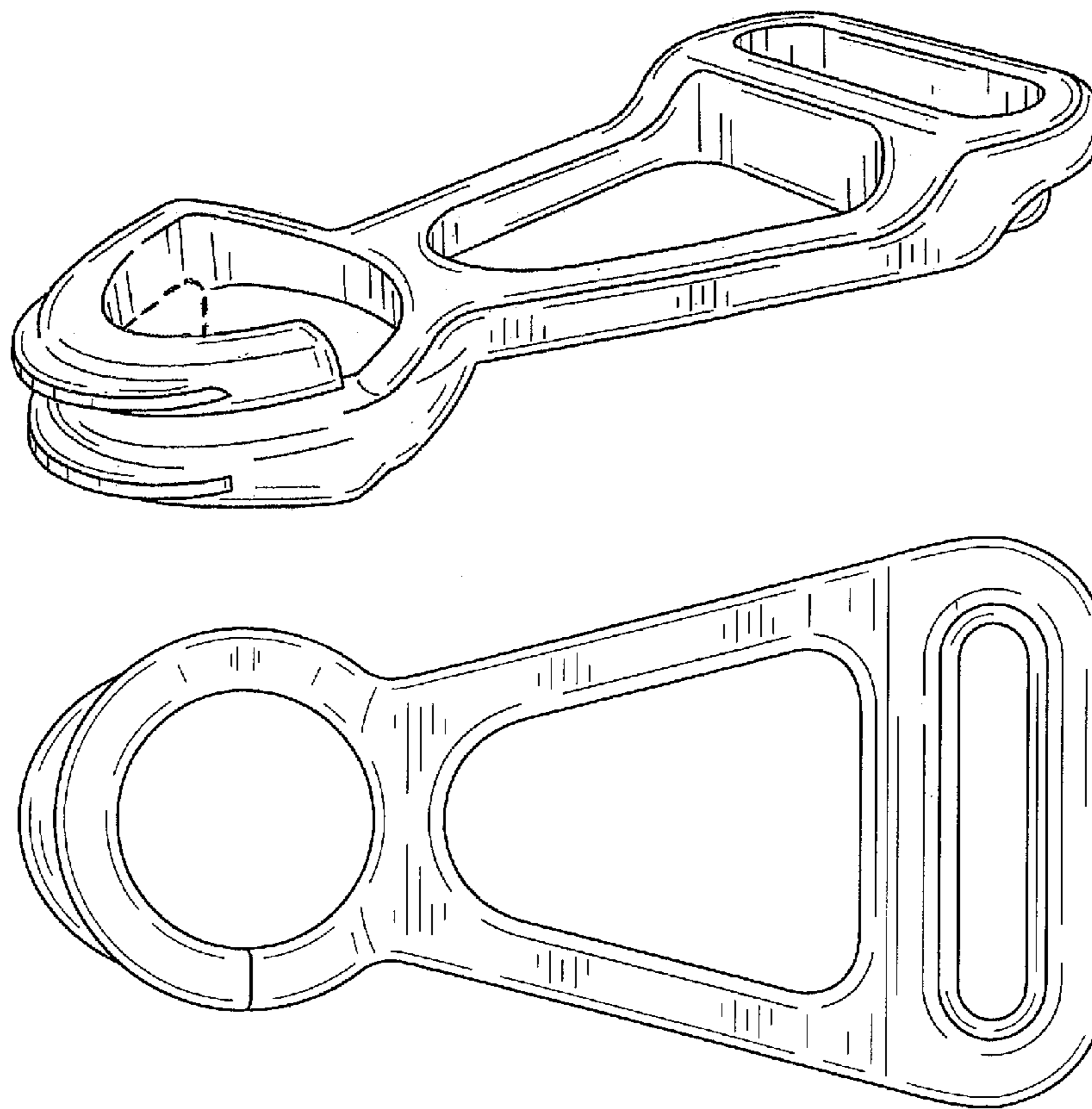
(57) **CLAIM**

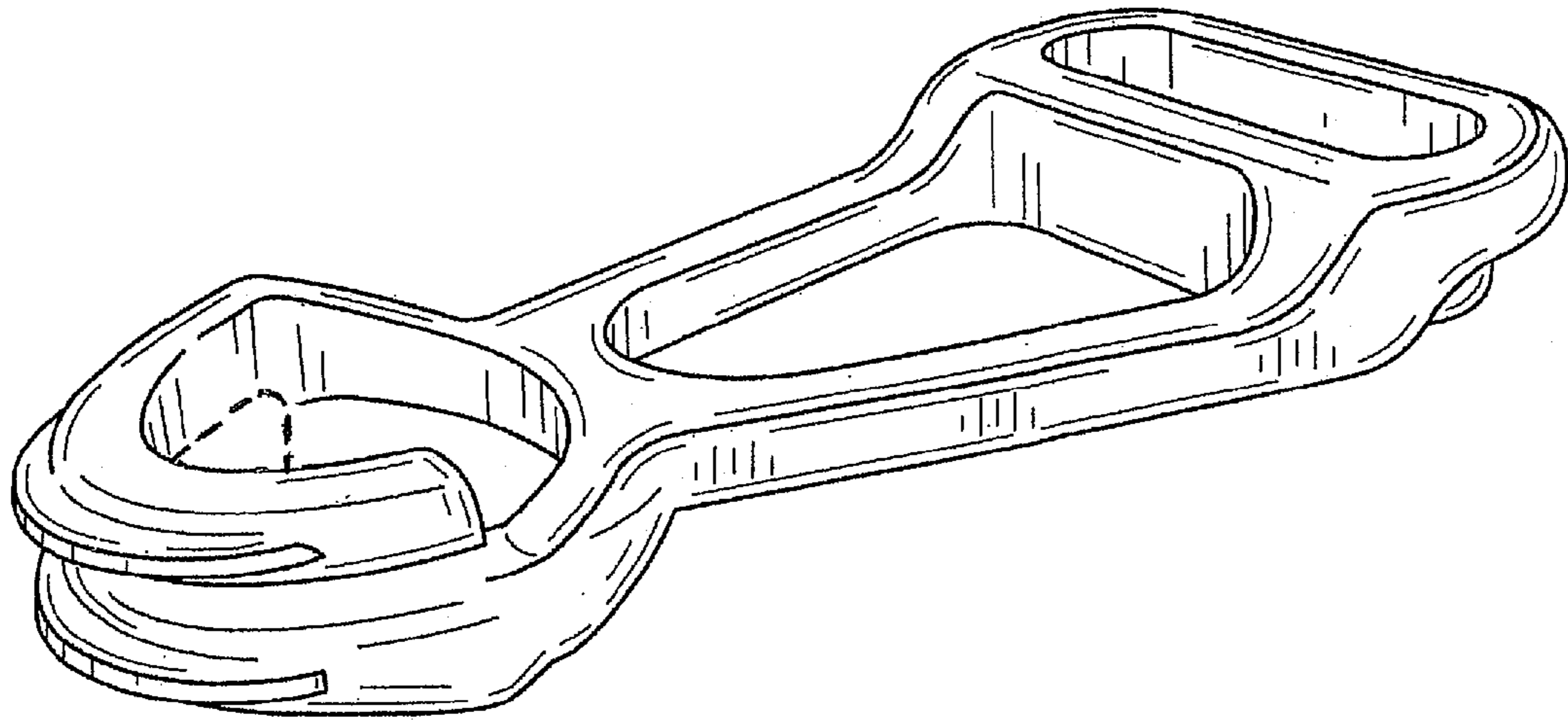
The ornamental design for a belt clip, as shown.

**DESCRIPTION**

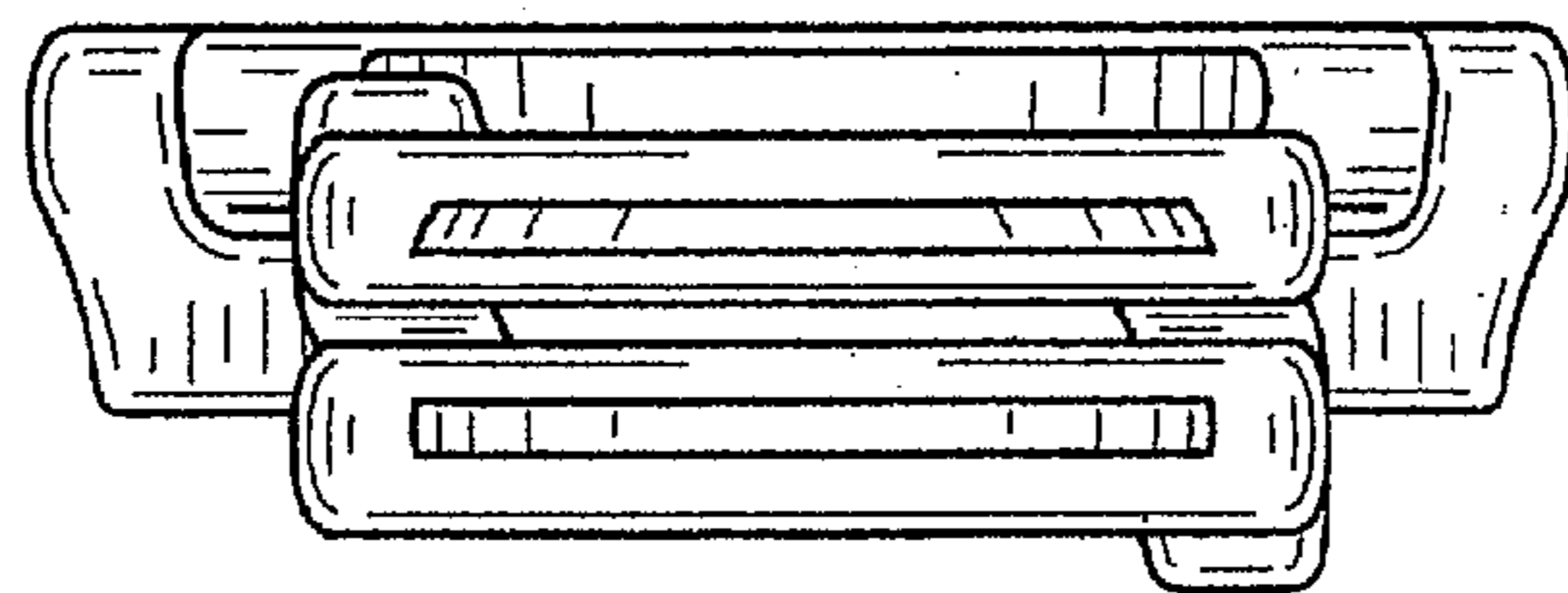
FIG. 1 is a left perspective view of a belt clip  
FIG. 2 is a first end view of the embodiment of FIG. 1;  
FIG. 3 is a second end view of the embodiment of FIG. 1;  
FIG. 4 is a top view of the embodiment of FIG. 1;  
FIG. 5 is a bottom view of the embodiment of FIG. 1;  
FIG. 6 is a left side view of the embodiment of FIG. 1; and,  
FIG. 7 is a right side view of the embodiment of FIG. 1.  
The broken lines in the figures depict portions of the belt clip that form no part of the claimed design.

**1 Claim, 3 Drawing Sheets**

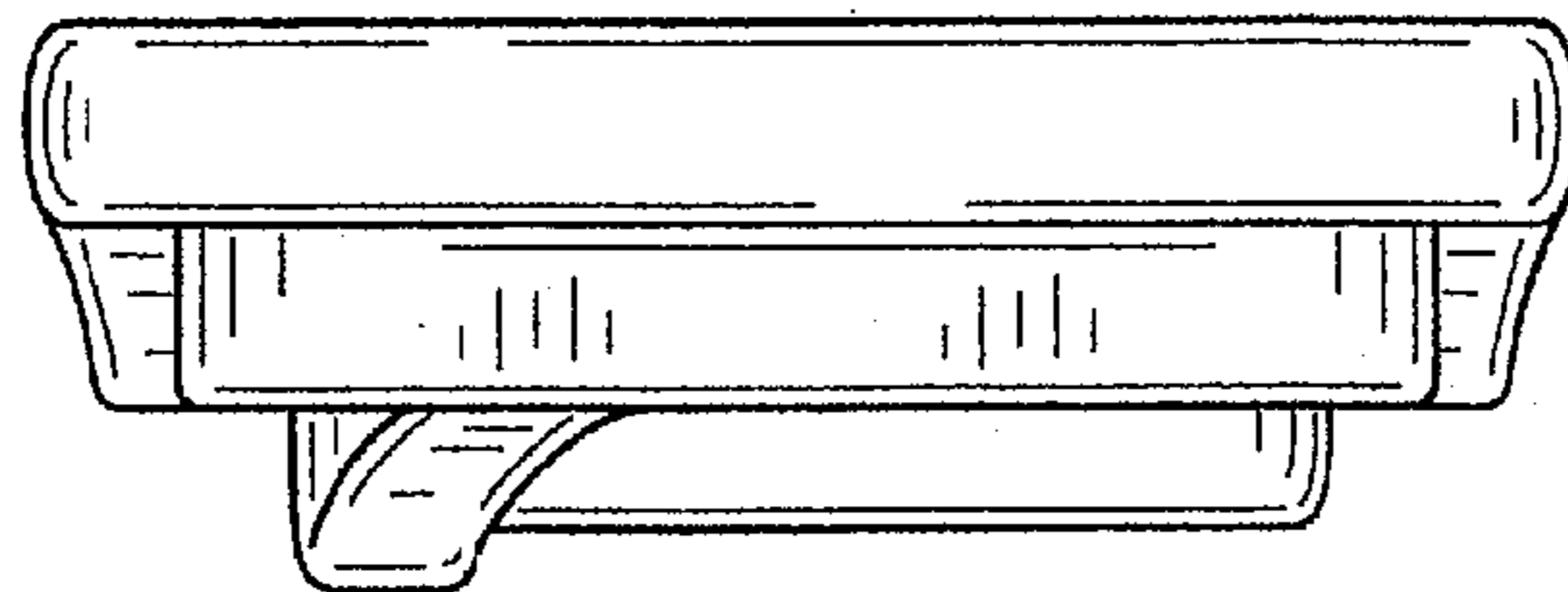




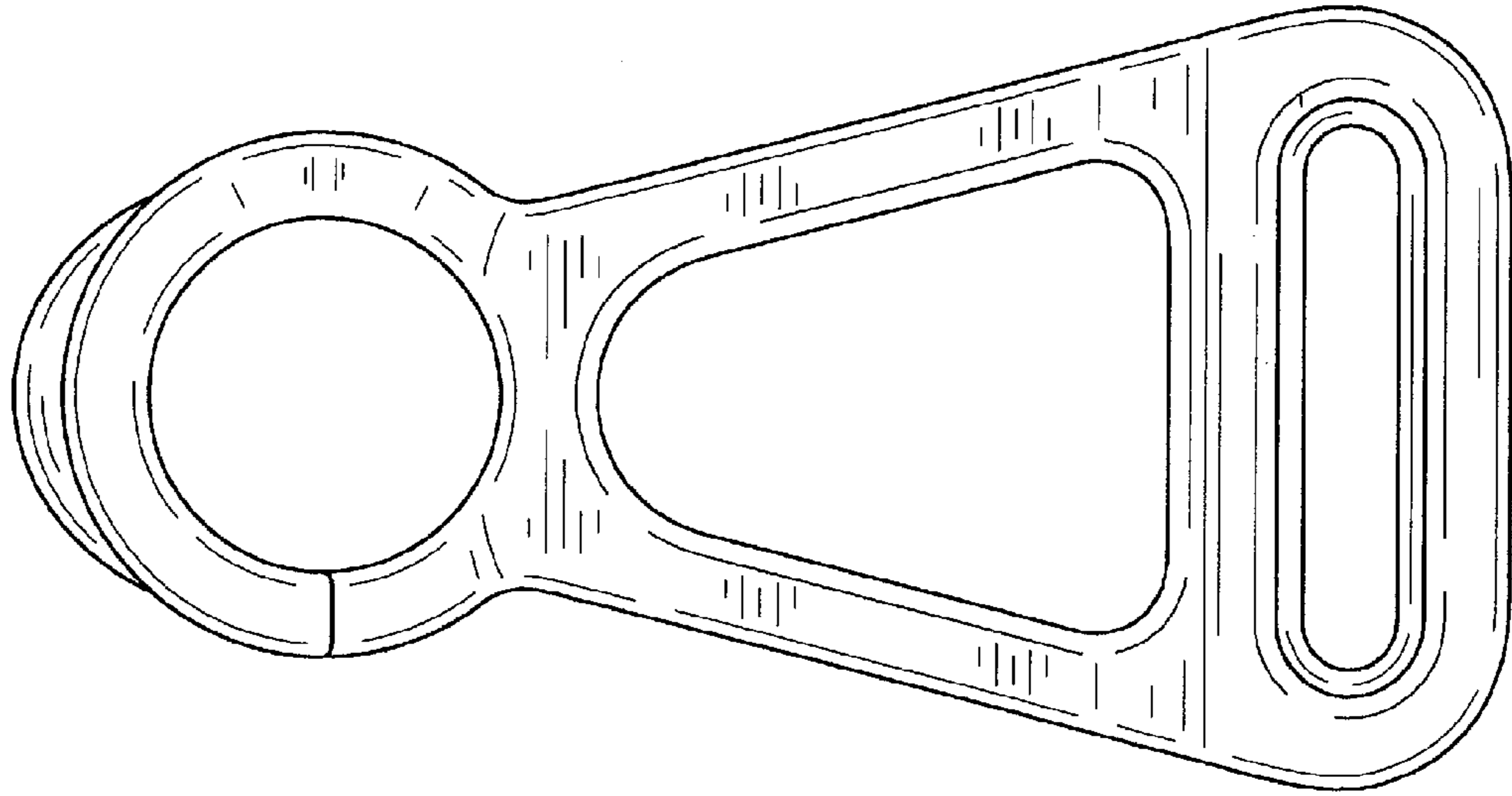
**FIG. 1**



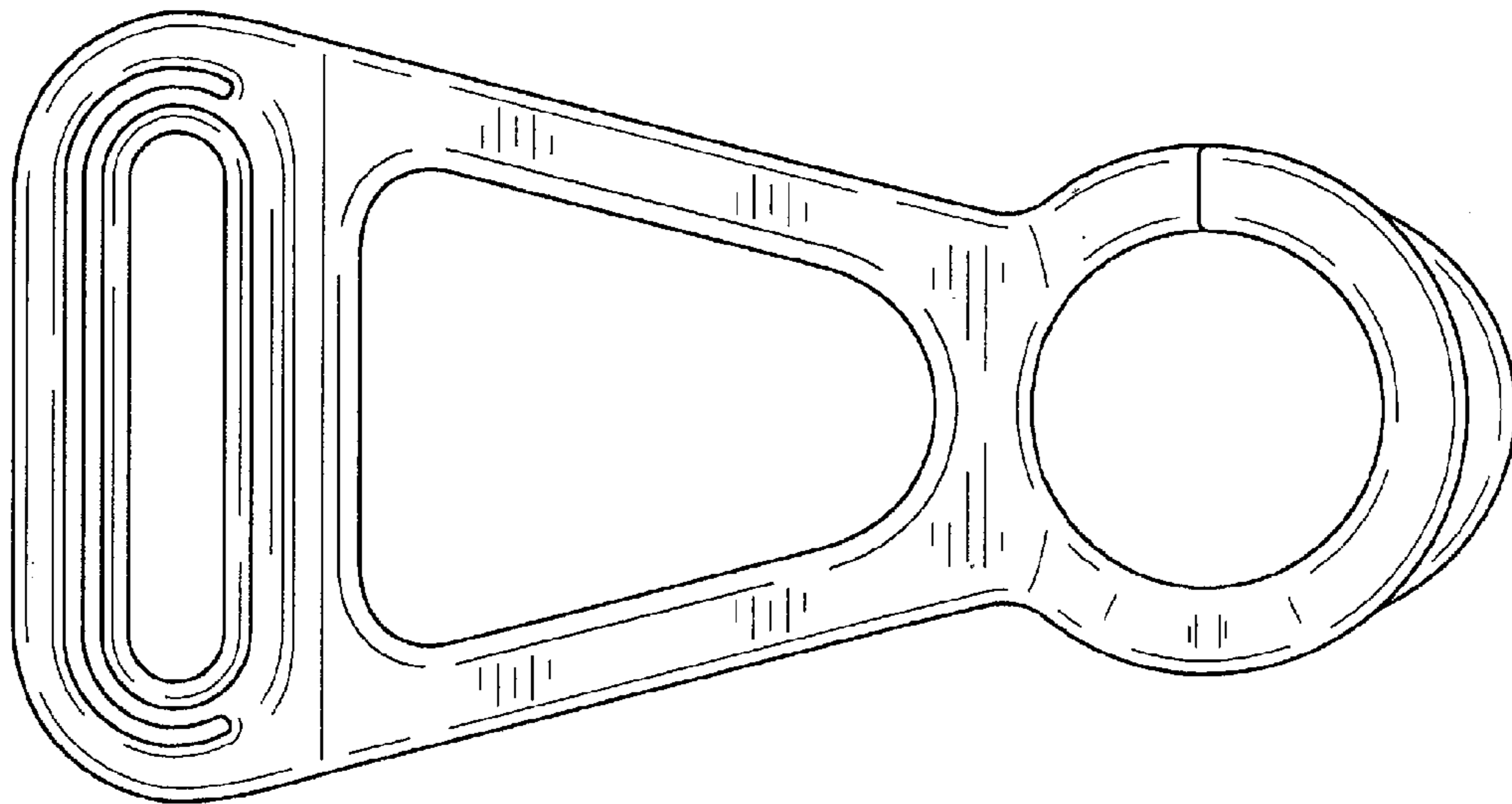
**FIG. 2**



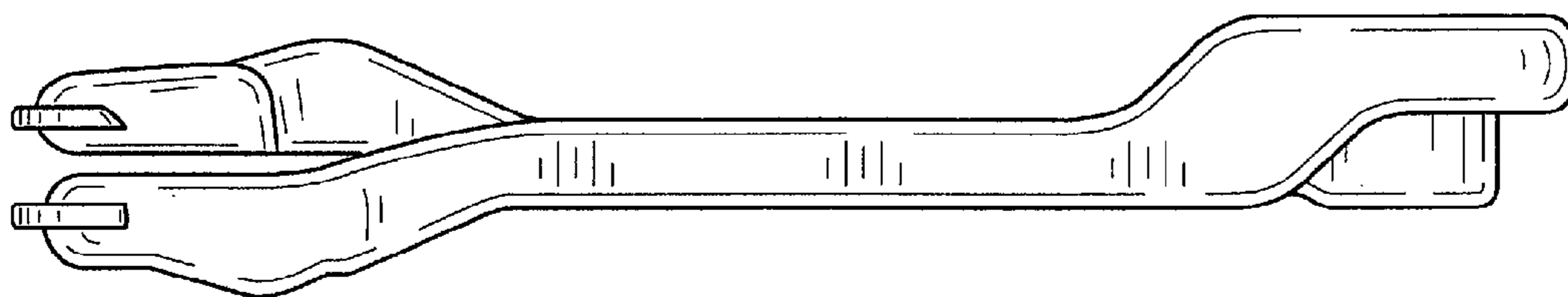
**FIG. 3**



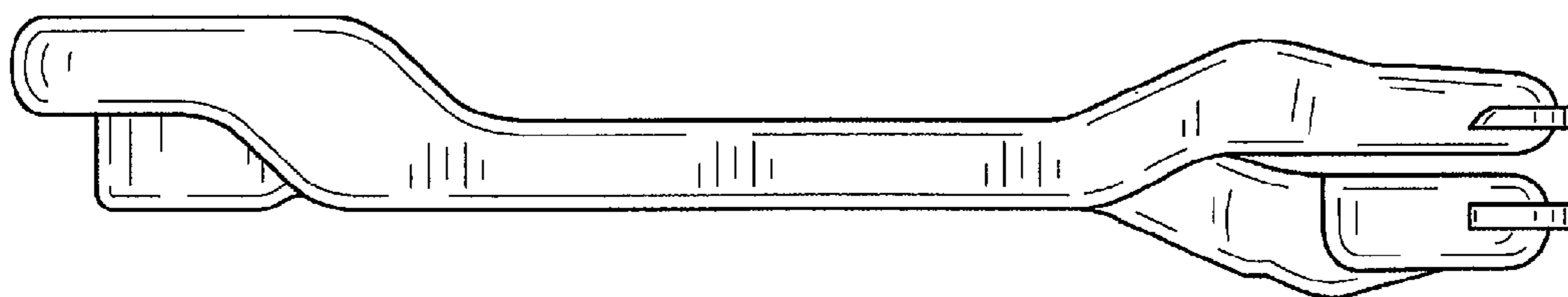
**FIG. 4**



**FIG. 5**



**FIG. 6**



**FIG. 7**