



US00D699555S

(12) **United States Design Patent**
Yazich

(10) **Patent No.:** **US D699,555 S**

(45) **Date of Patent:** **** Feb. 18, 2014**

(54) **INDEXED BOLT**

(71) Applicant: **Frederick Yazich**, South Bend, IN (US)

(72) Inventor: **Frederick Yazich**, South Bend, IN (US)

(73) Assignee: **Frederick Yazich**, South Bend, IN (US)

(**) Term: **14 Years**

(21) Appl. No.: **29/453,520**

(22) Filed: **Apr. 30, 2013**

(51) **LOC (10) Cl.** **08-08**

(52) **U.S. Cl.**
USPC **D8/387**

(58) **Field of Classification Search**
USPC D8/387; 411/378-379, 393-394, 411,
411/402-405, 178, 184, 188, 412, 481,
411/378.1
See application file for complete search history.

(56) **References Cited**

U.S. PATENT DOCUMENTS

D207,123	S *	3/1967	Flood	D8/387
D252,013	S *	6/1979	Casey	D8/387
4,185,334	A *	1/1980	Izzi	4/252.2

4,530,629	A *	7/1985	Sakow	411/147
4,850,063	A *	7/1989	Abbate	4/252.1
4,907,923	A *	3/1990	McGrath, Jr.	411/107
D426,146	S *	6/2000	Bruns et al.	D8/387
6,430,756	B1 *	8/2002	Reilly	4/252.1
6,698,986	B2 *	3/2004	Fraleigh	411/301
7,950,886	B2 *	5/2011	Siegal	411/107
D639,152	S *	6/2011	Watts	D8/387
7,954,179	B2 *	6/2011	Johnson et al.	4/252.1
8,371,784	B2 *	2/2013	Siegal	411/107
D678,757	S *	3/2013	Imai et al.	D8/387

* cited by examiner

Primary Examiner — Sheryl Lane

(74) *Attorney, Agent, or Firm* — Botkin & Hall, LLP

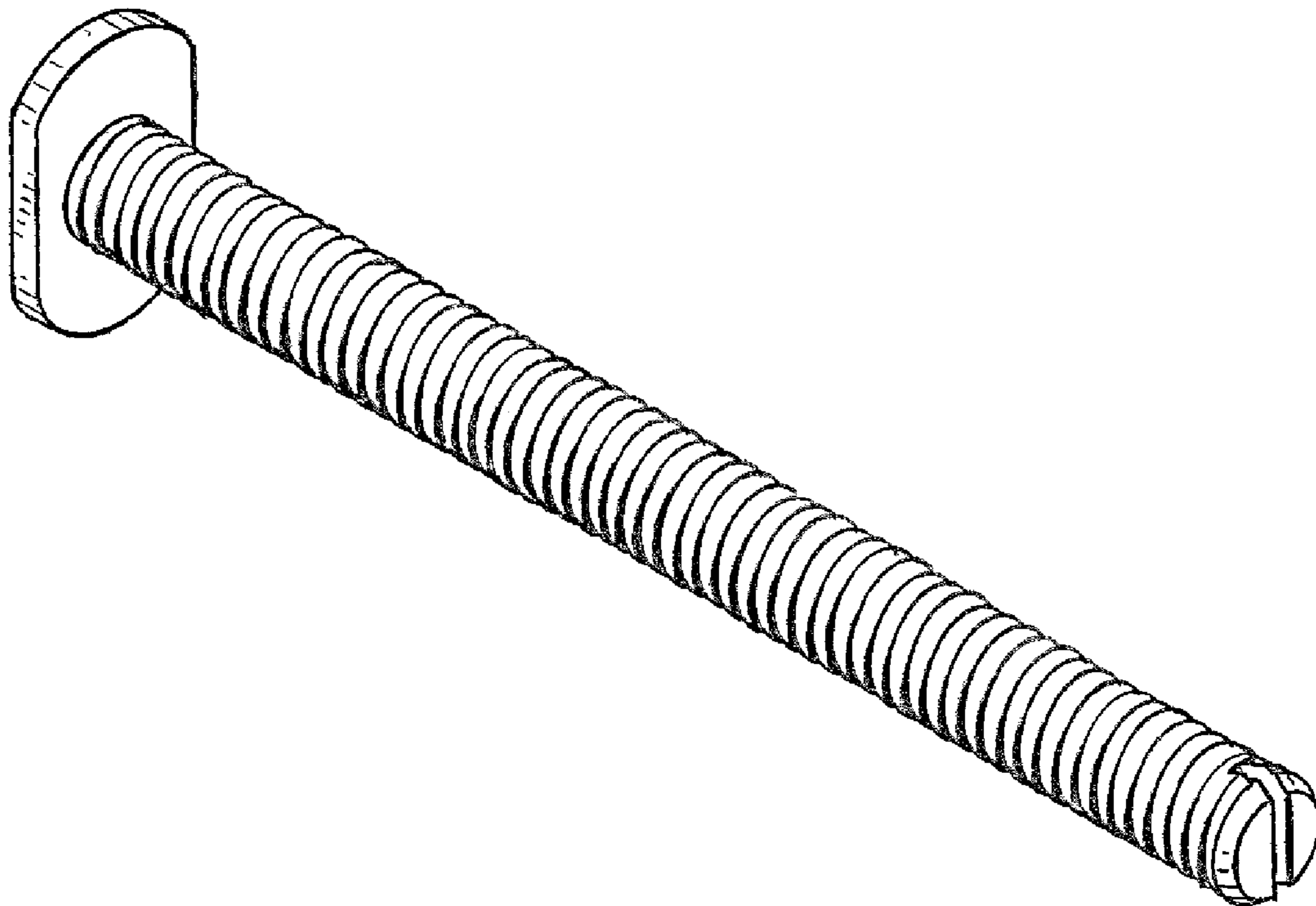
(57) **CLAIM**

The ornamental design for an indexed bolt, as shown and described.

DESCRIPTION

FIG. 1 is a perspective view of the indexed bolt;
FIG. 2 is a top view of the indexed bolt of FIG. 1, the bottom view being mirror symmetrical;
FIG. 3 is a left side view of the indexed bolt of FIG. 1, the right side view being mirror symmetrical;
FIG. 4 is a top view of the indexed bolt of FIG. 1; and,
FIG. 5 is a bottom view of the indexed bolt of FIG. 1.

1 Claim, 1 Drawing Sheet



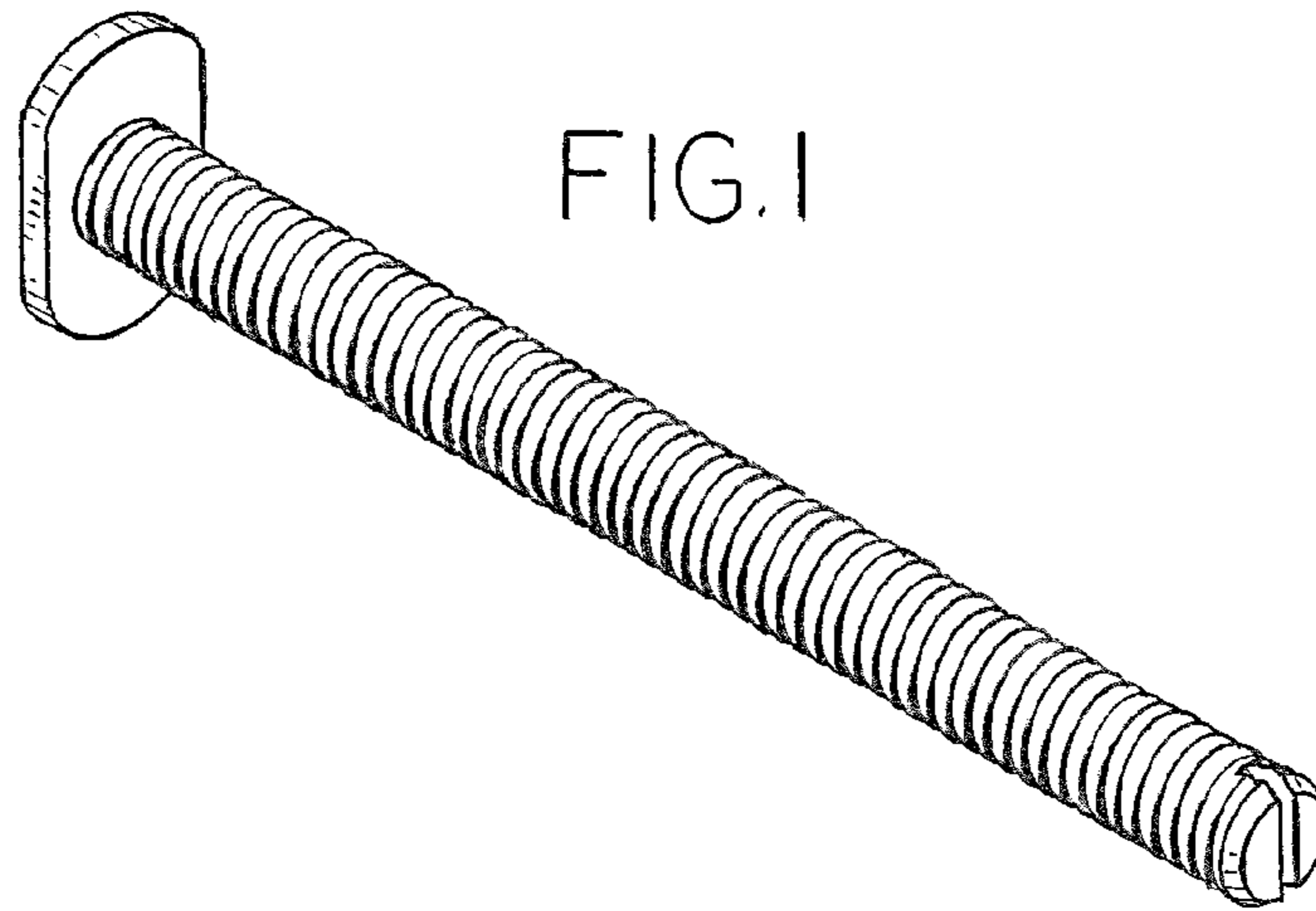


FIG. 1

FIG. 2

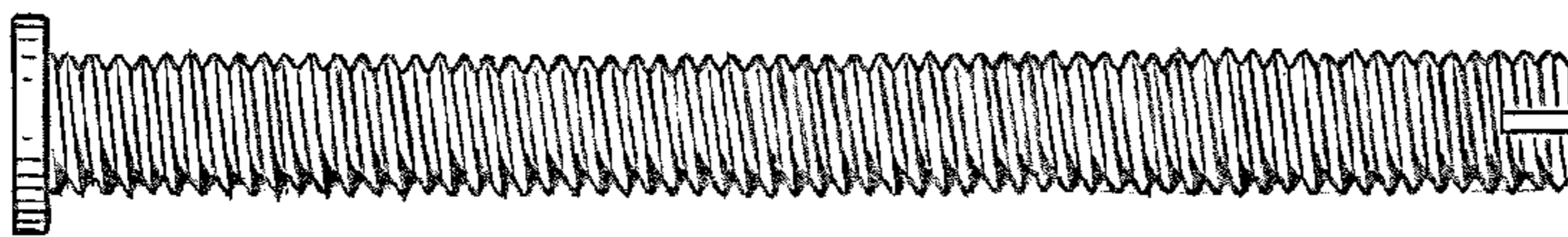


FIG. 4

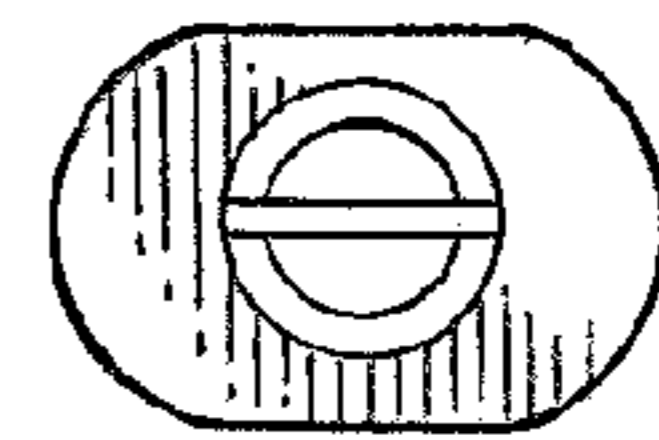


FIG. 3

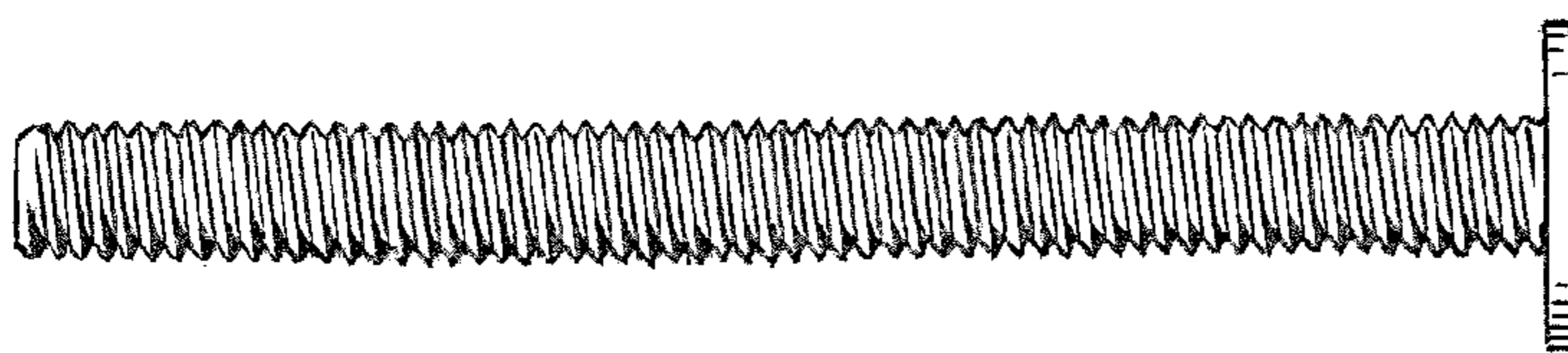


FIG. 5

