



US00D699554S

(12) **United States Design Patent**
David

(10) **Patent No.:** **US D699,554 S**

(45) **Date of Patent:** **** Feb. 18, 2014**

(54) **INTERCHANGEABLE TITANIUM NAIL HEAD**

Primary Examiner — Sheryl Lane

(74) *Attorney, Agent, or Firm* — QuickPatents; Kevin Prince

(76) Inventor: **Marcus David**, San Jose, CA (US)

(**) Term: **14 Years**

(57) **CLAIM**

I claim the ornamental design for an interchangeable titanium nail head, as shown and described.

(21) Appl. No.: **29/429,362**

(22) Filed: **Aug. 9, 2012**

(51) **LOC (10) Cl.** **08-08**

(52) **U.S. Cl.**
USPC **D8/387**

(58) **Field of Classification Search**
USPC D8/387, 388, 391, 385; 411/378, 393,
411/402, 411, 352, 353, 403, 366.1
See application file for complete search history.

DESCRIPTION

FIG. 1 is a perspective view of an interchangeable titanium nail head, showing my new design;
FIG. 2 is a front elevational view thereof, the rear elevational view thereof, left-side elevational view and right-side elevational view all being identical thereto except at a lower threaded portion thereof;
FIG. 3 is a top plan view thereof;
FIG. 4 is a bottom plan view thereof; and,
FIG. 5 is a cross-sectional view thereof, taken along lines 5-5 of FIG. 3.
The broken lines in FIGS. 1, 3, and 5 depict environmental subject matter and forms no part of the claimed design.

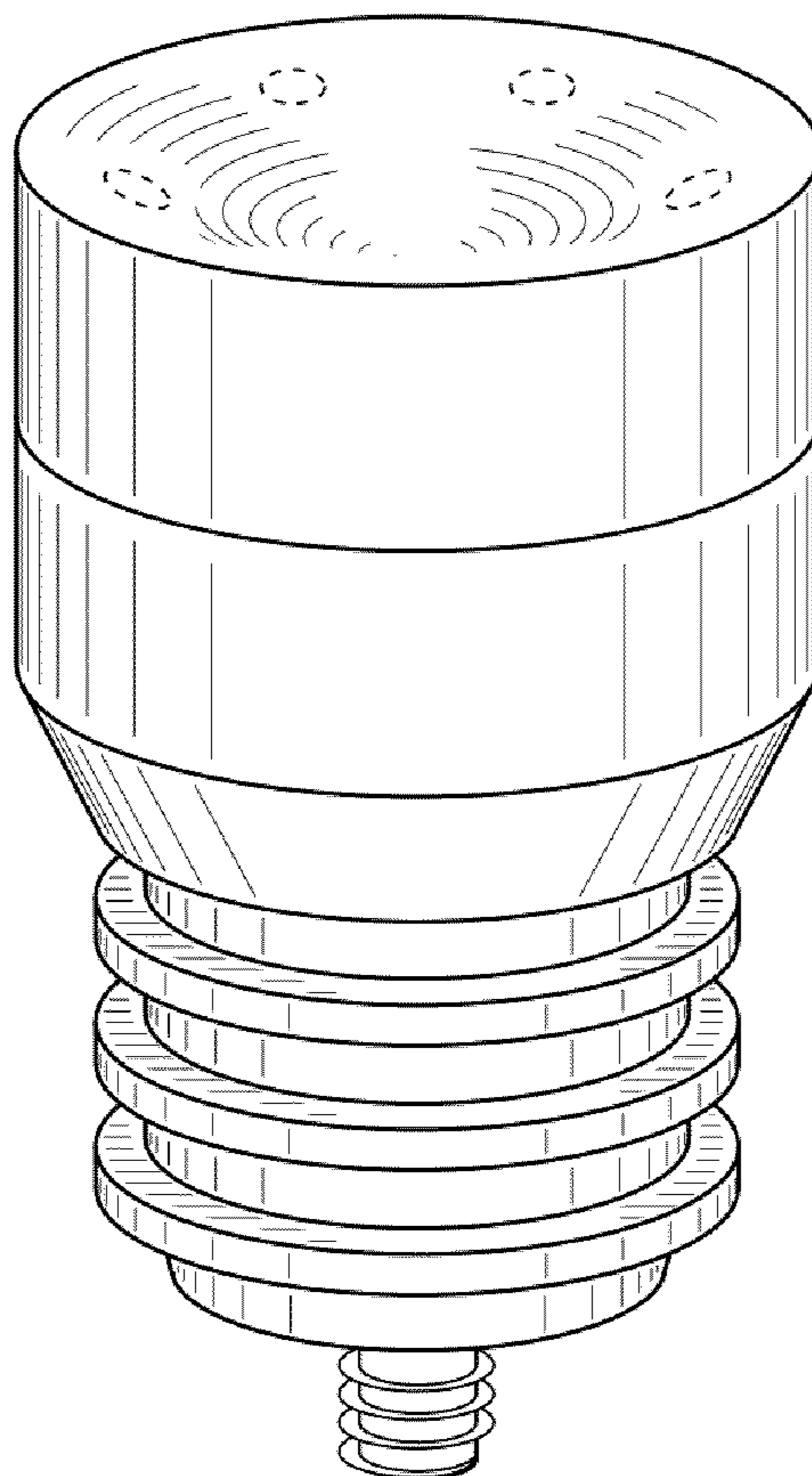
(56) **References Cited**

U.S. PATENT DOCUMENTS

5,382,124	A *	1/1995	Frattarola	411/352
D454,591	S *	3/2002	Vidmar et al.	D19/90
D484,031	S *	12/2003	Ellis et al.	D8/387
D492,895	S *	7/2004	Ellis et al.	D8/387
D639,650	S *	6/2011	Summers	D8/387
D663,196	S *	7/2012	Bohnet et al.	D8/387
D663,613	S *	7/2012	Bohnet et al.	D8/387

* cited by examiner

1 Claim, 2 Drawing Sheets



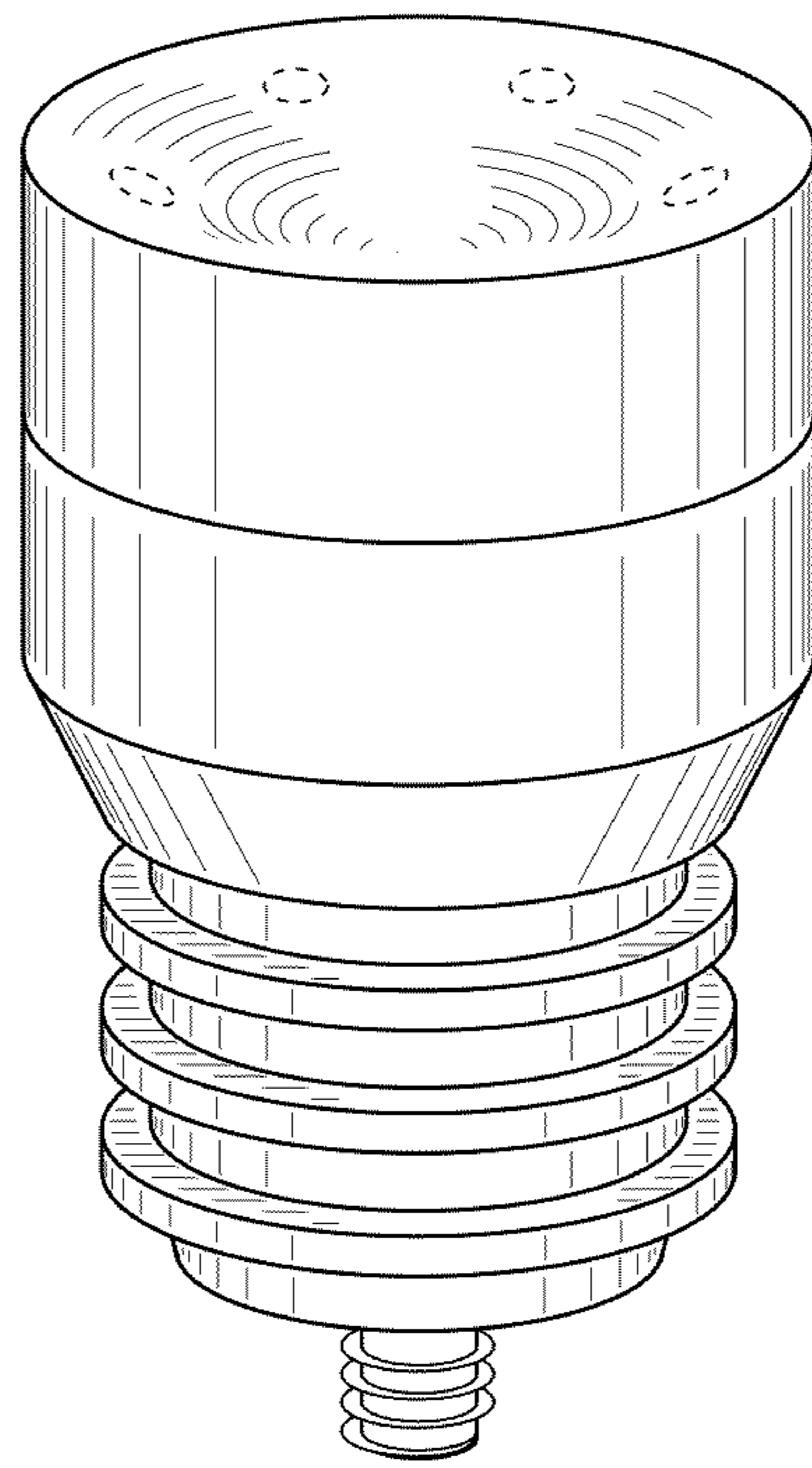


FIG. 1

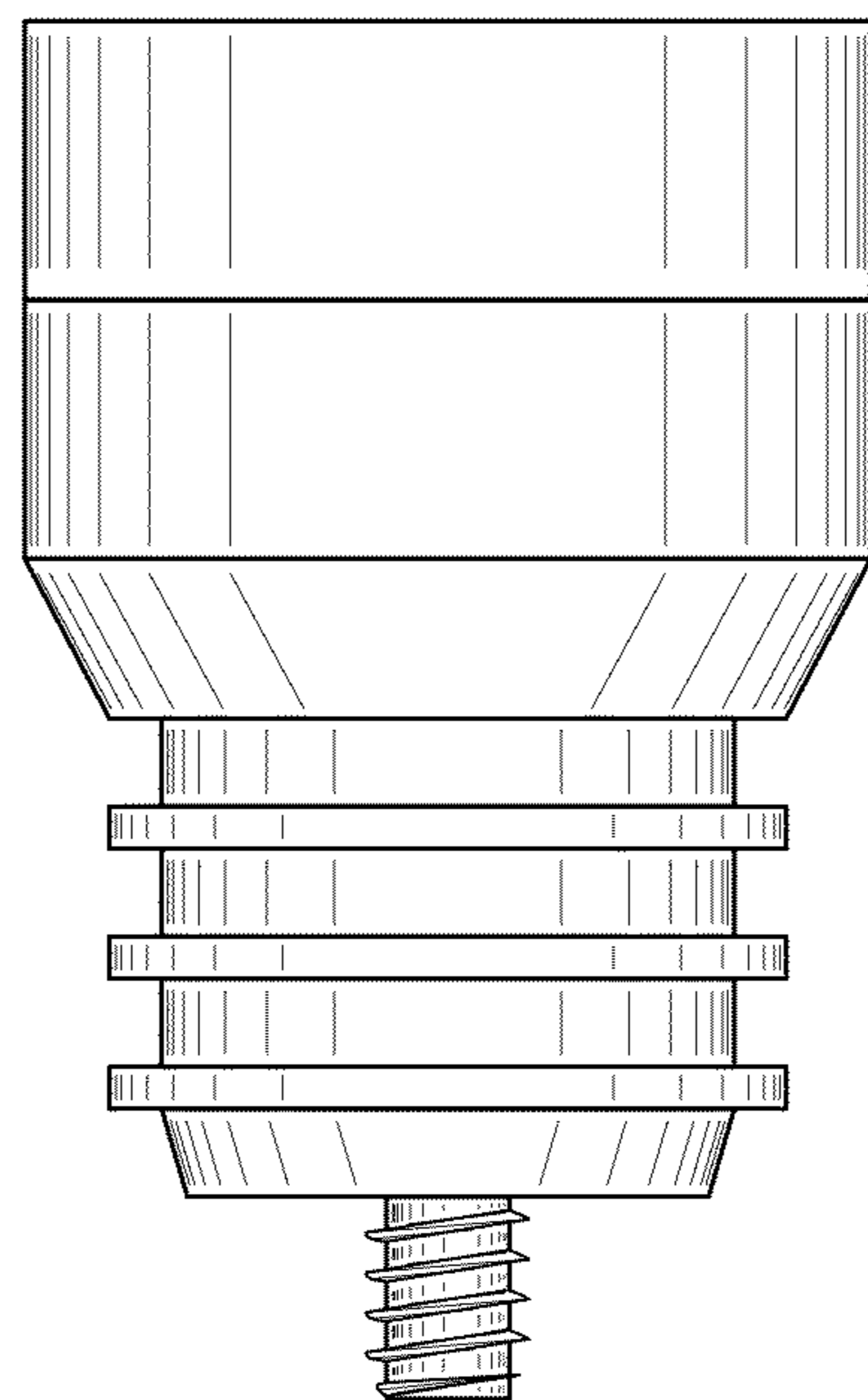


FIG. 2

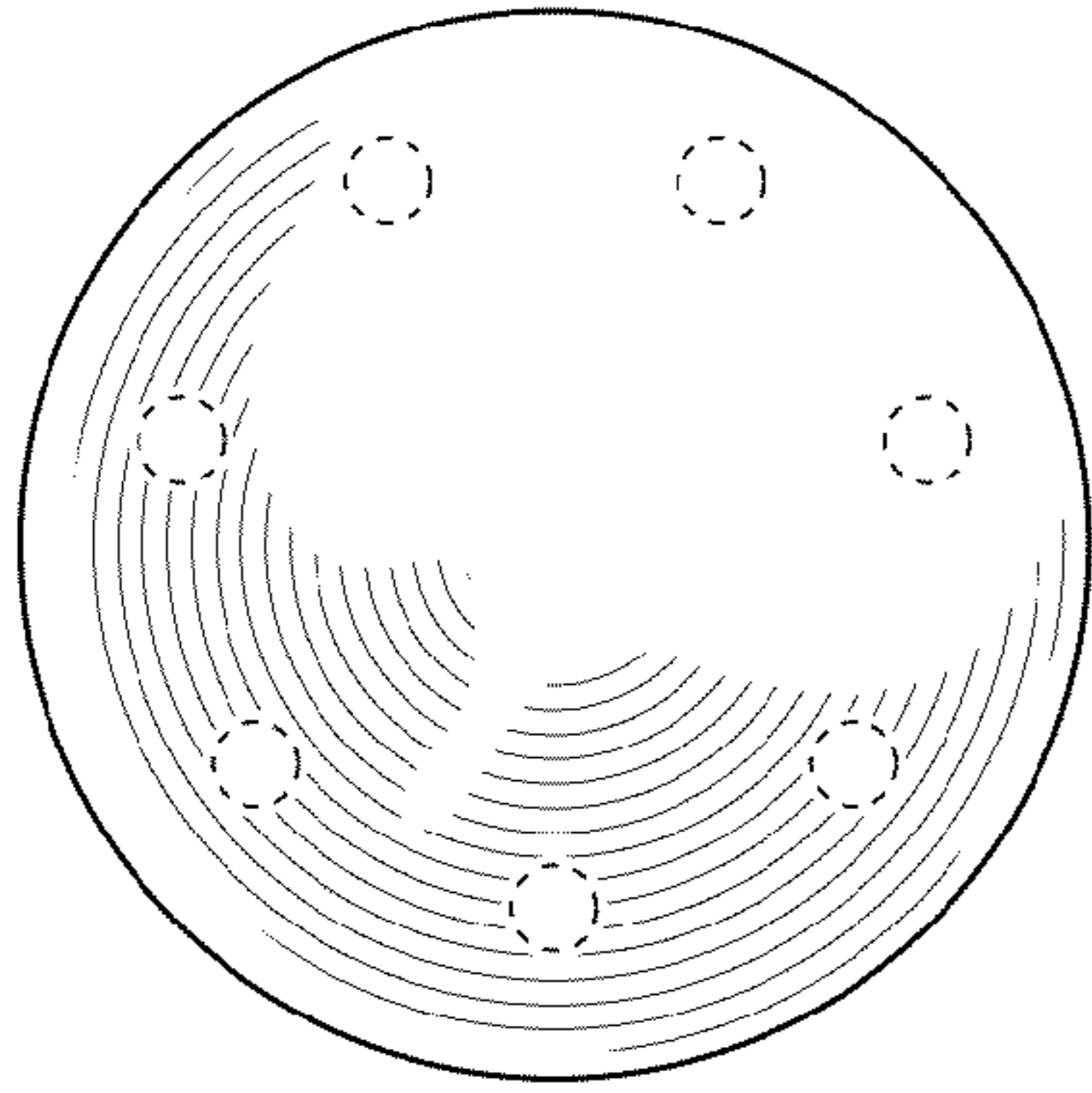


FIG. 3

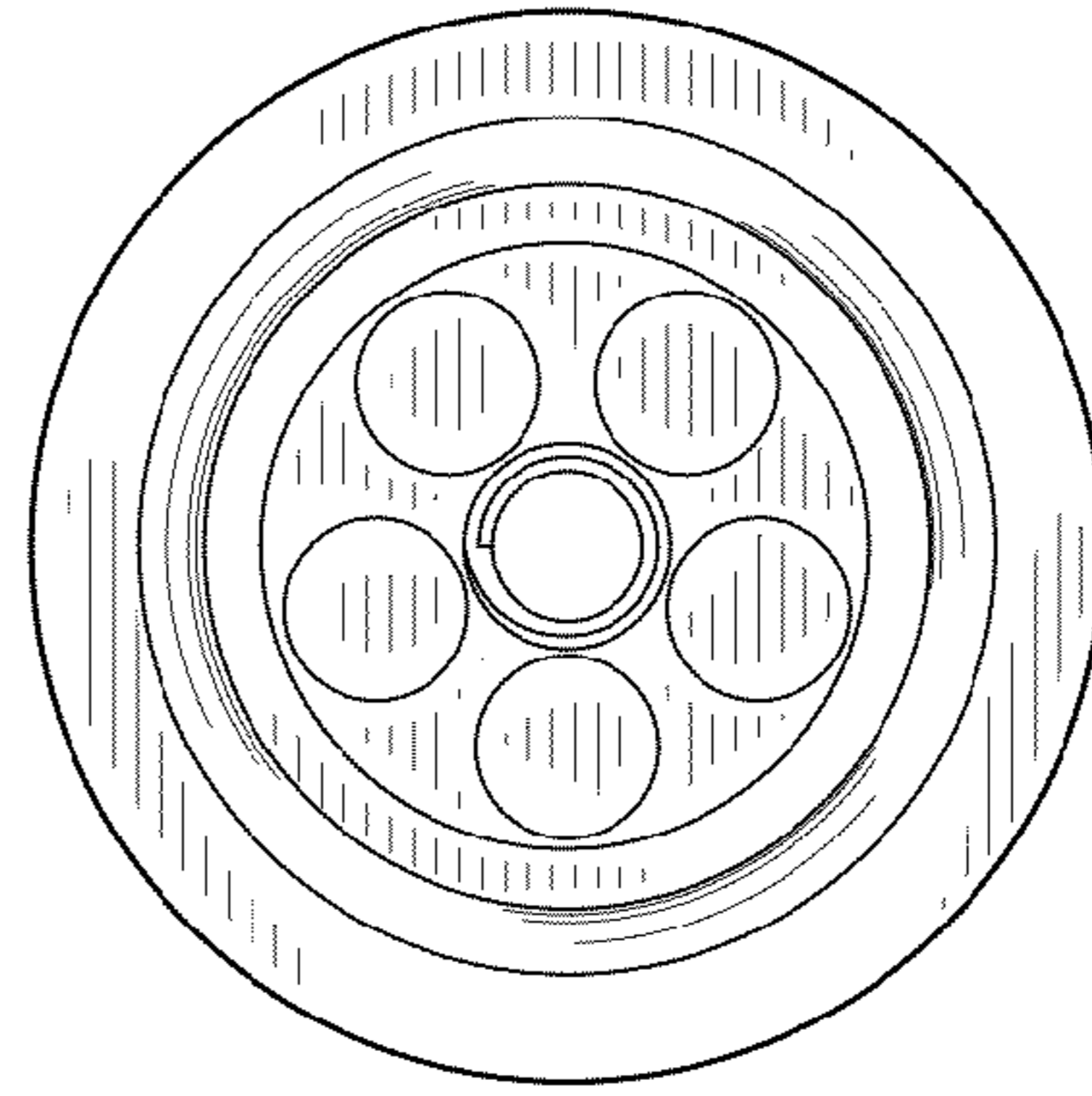


FIG. 4

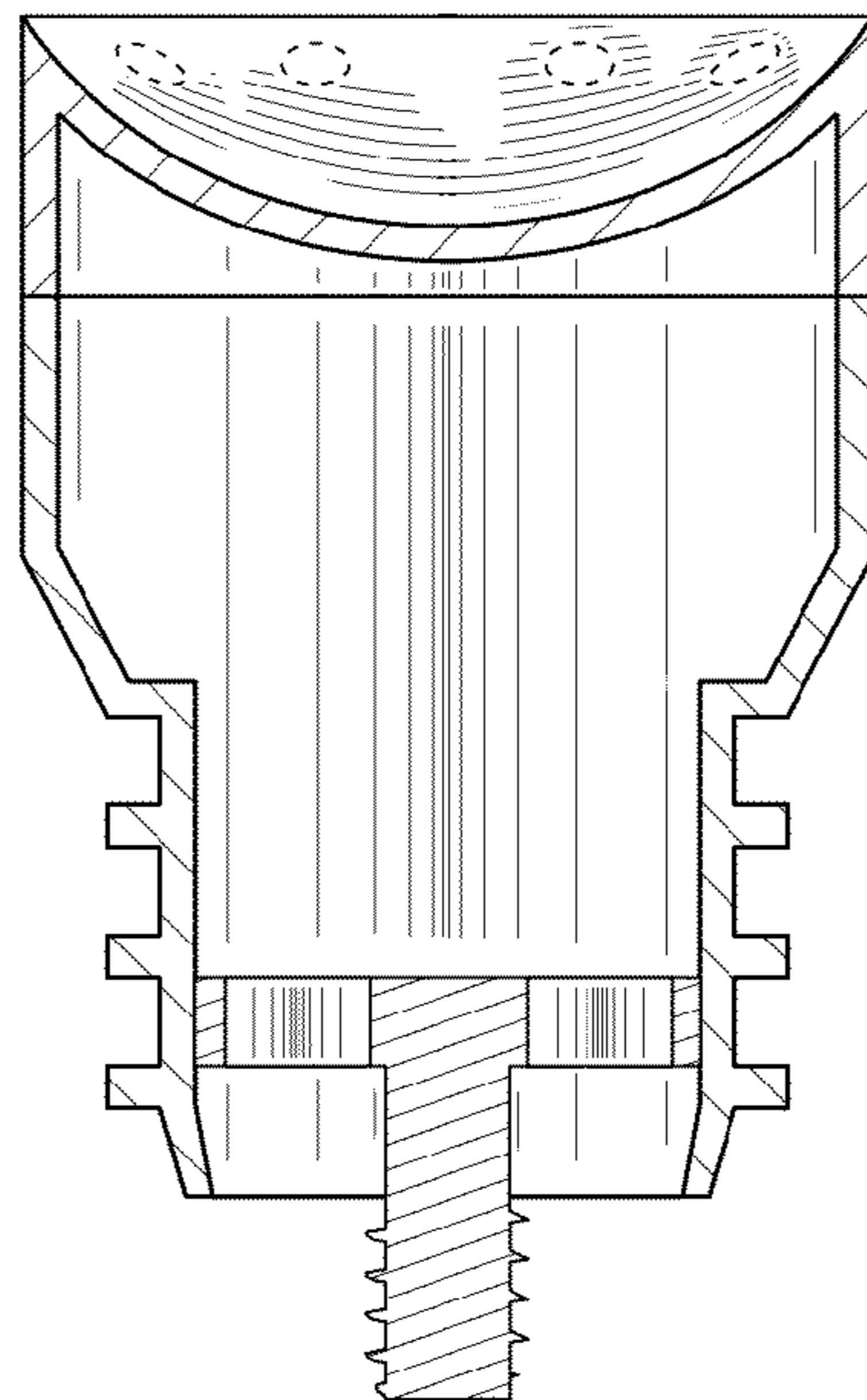


FIG. 5