

US00D699553S

(12) **United States Design Patent**
Geller

(10) **Patent No.:** **US D699,553 S**

(45) **Date of Patent:** **** Feb. 18, 2014**

(54) **CONNECTOR CLIP**

(76) Inventor: **Wolfgang-Peter Geller**, Garlstorf (DE)

(**) Term: **14 Years**

(21) Appl. No.: **29/407,824**

(22) Filed: **Dec. 2, 2011**

(30) **Foreign Application Priority Data**

Jun. 22, 2011 (EP) 1881756-0002

(51) **LOC (10) Cl.** **08-08**

(52) **U.S. Cl.**
USPC **D8/382; D8/356**

(58) **Field of Classification Search**
USPC D8/382, 385, 386, 349, 354, 356, 381;
248/200, 300, 74.1; 24/115 R
See application file for complete search history.

(56) **References Cited**

U.S. PATENT DOCUMENTS

D241,815 S *	10/1976	Fredriksson	D8/382
D241,911 S *	10/1976	Fredriksson	D8/382
D281,483 S *	11/1985	Faidide	D8/367
D336,416 S *	6/1993	Ford	D8/306
D382,793 S *	8/1997	Wilcox	D8/356
D407,301 S *	3/1999	Donalies	D8/382

D587,988 S *	3/2009	Johansson	D8/356
D642,449 S *	8/2011	Blaney	D8/356
8,533,917 B2 *	9/2013	Kohler	24/115 R

* cited by examiner

Primary Examiner — Sheryl Lane

(74) *Attorney, Agent, or Firm* — Sand & Sebolt

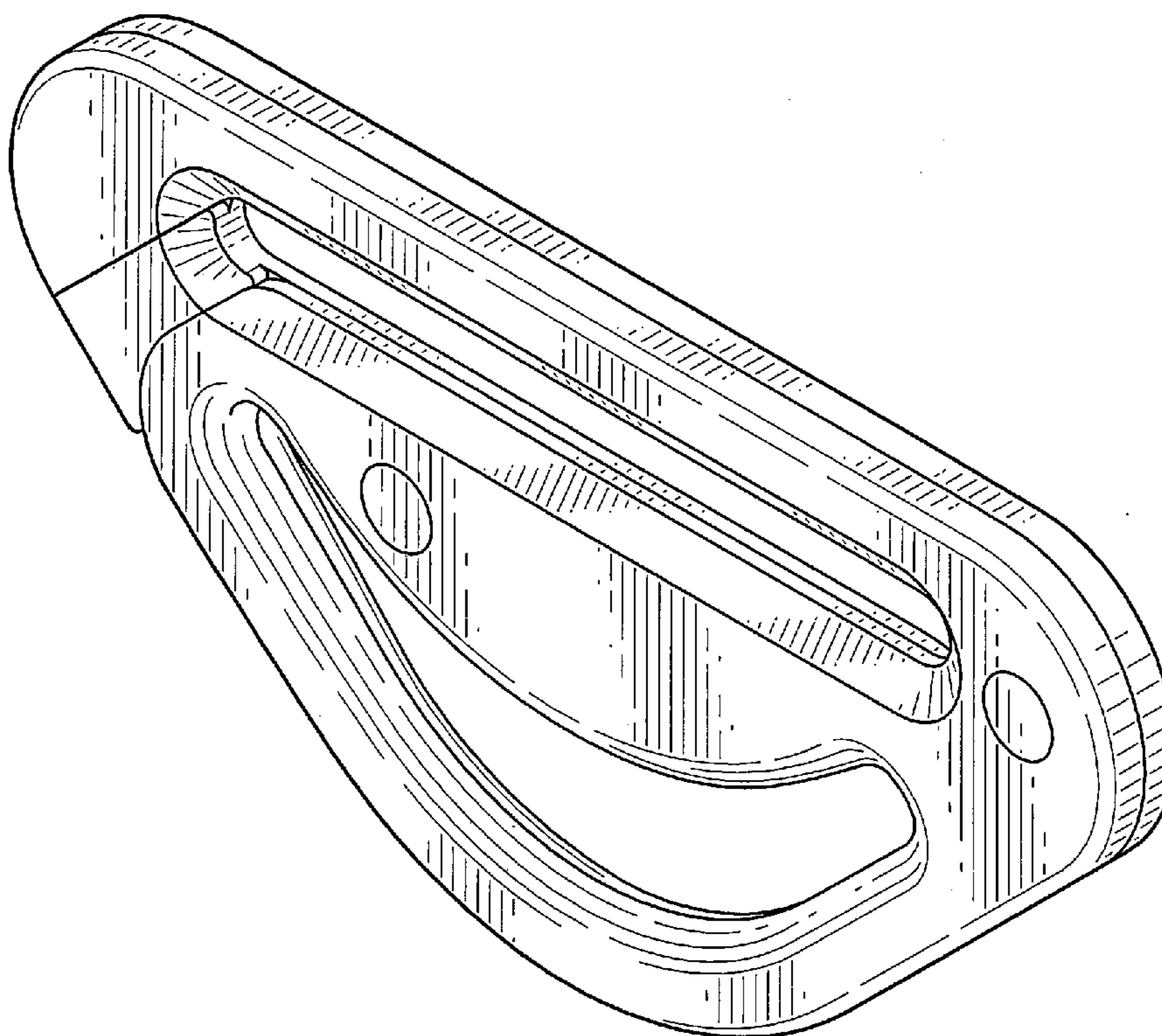
(57) **CLAIM**

The ornamental design for a connector clip, as shown and described.

DESCRIPTION

FIG. 1 is a perspective view of the connector clip in accordance with the present design;
 FIG. 2 is a top view thereof;
 FIG. 3 is a front view thereof;
 FIG. 4 is a bottom view thereof;
 FIG. 5 is a left side view thereof;
 FIG. 6 is a right side view thereof;
 FIG. 7 is a back view thereof;
 FIG. 8 is a perspective view of the connector clip in accordance with the present design shown separated into a first connector clip part and a second connector clip part, and showing the interior surfaces of the first and second connector clip parts; and,
 FIG. 9 is a perspective view of the connector clip in accordance with the present invention shown separated into the first connector clip part and the second connector clip part, and showing the exterior surfaces of the first and second connector clip parts.

1 Claim, 5 Drawing Sheets



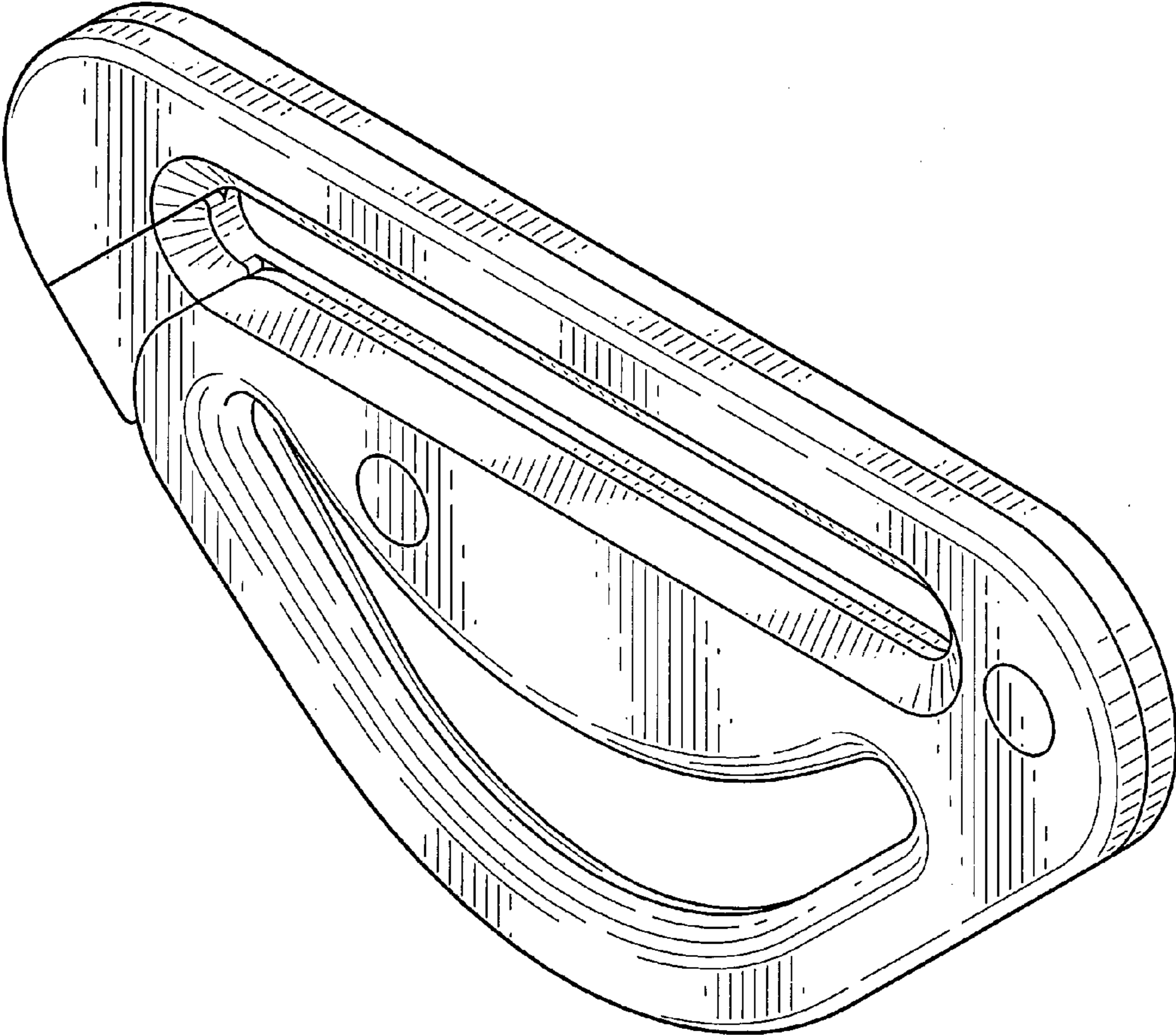


FIG-1

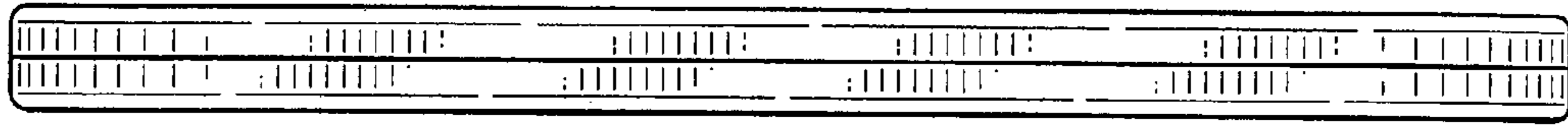


FIG-2

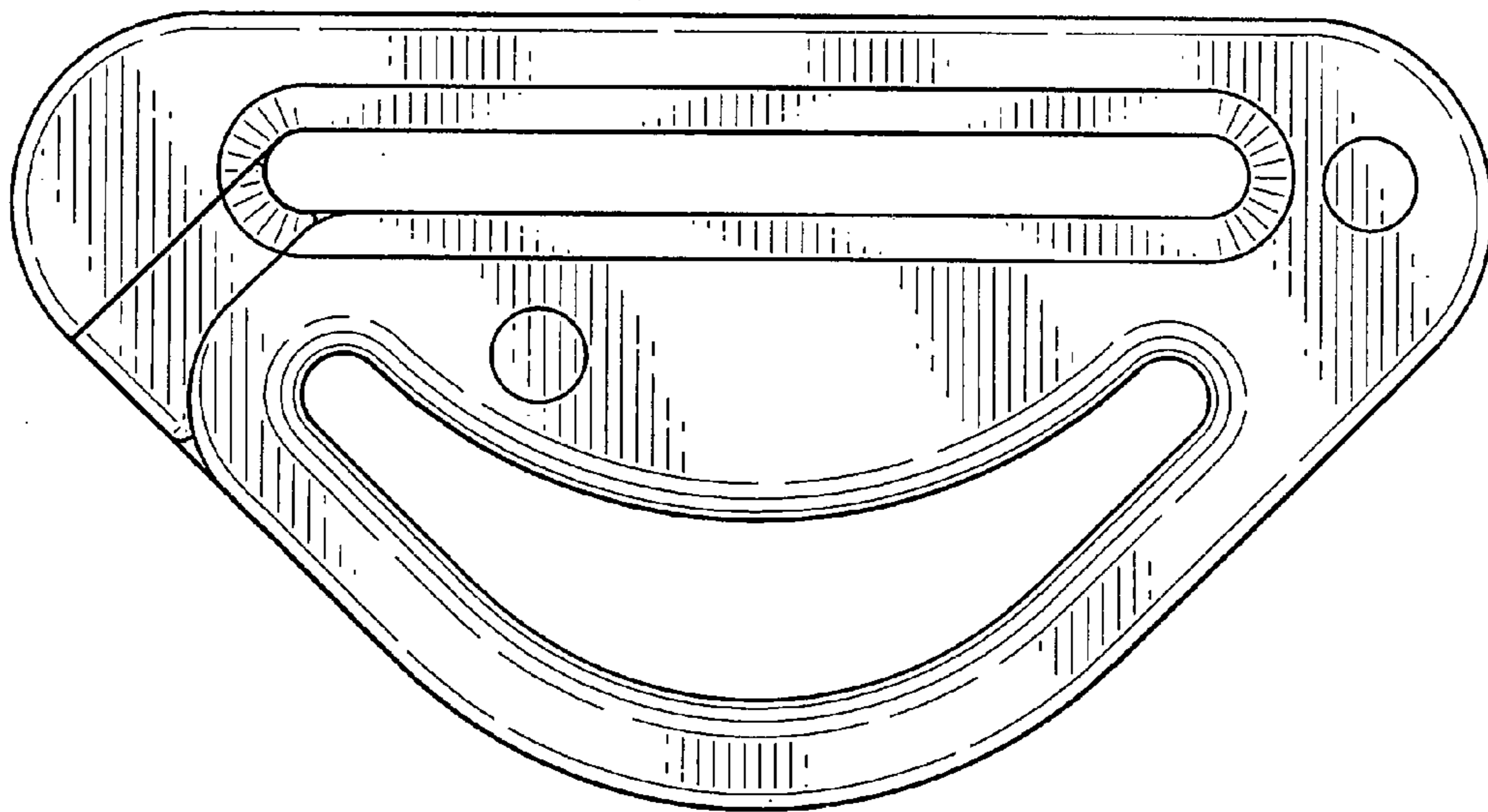


FIG-3

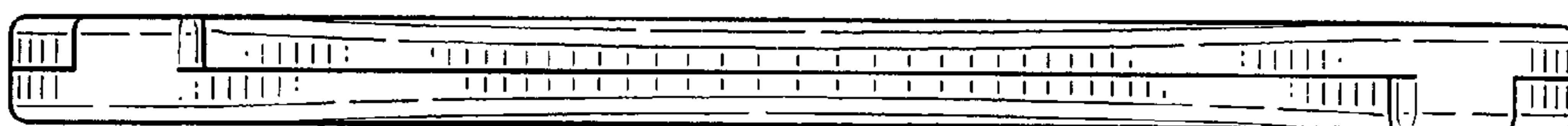


FIG-4



FIG-5



FIG-6

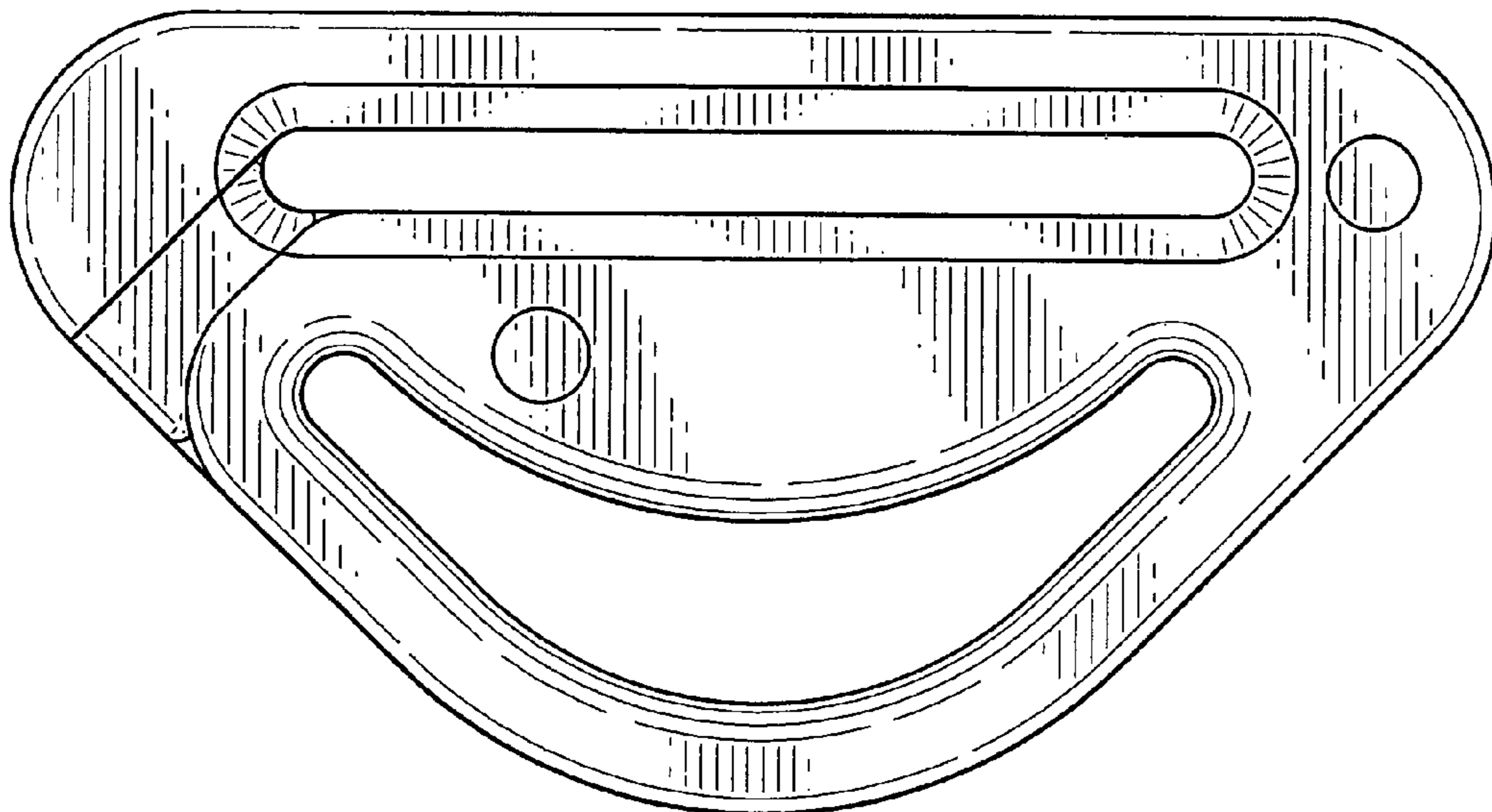
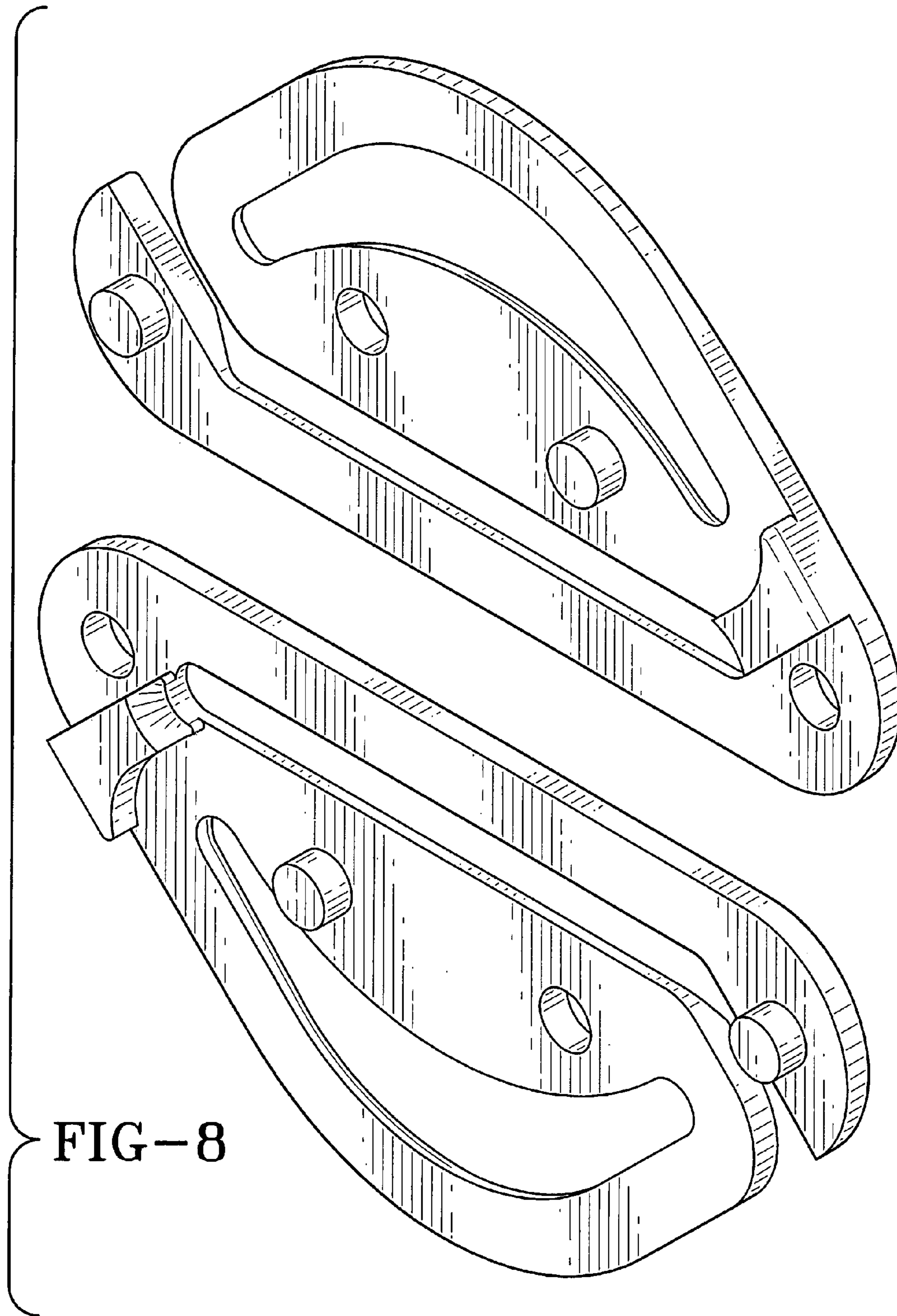


FIG-7



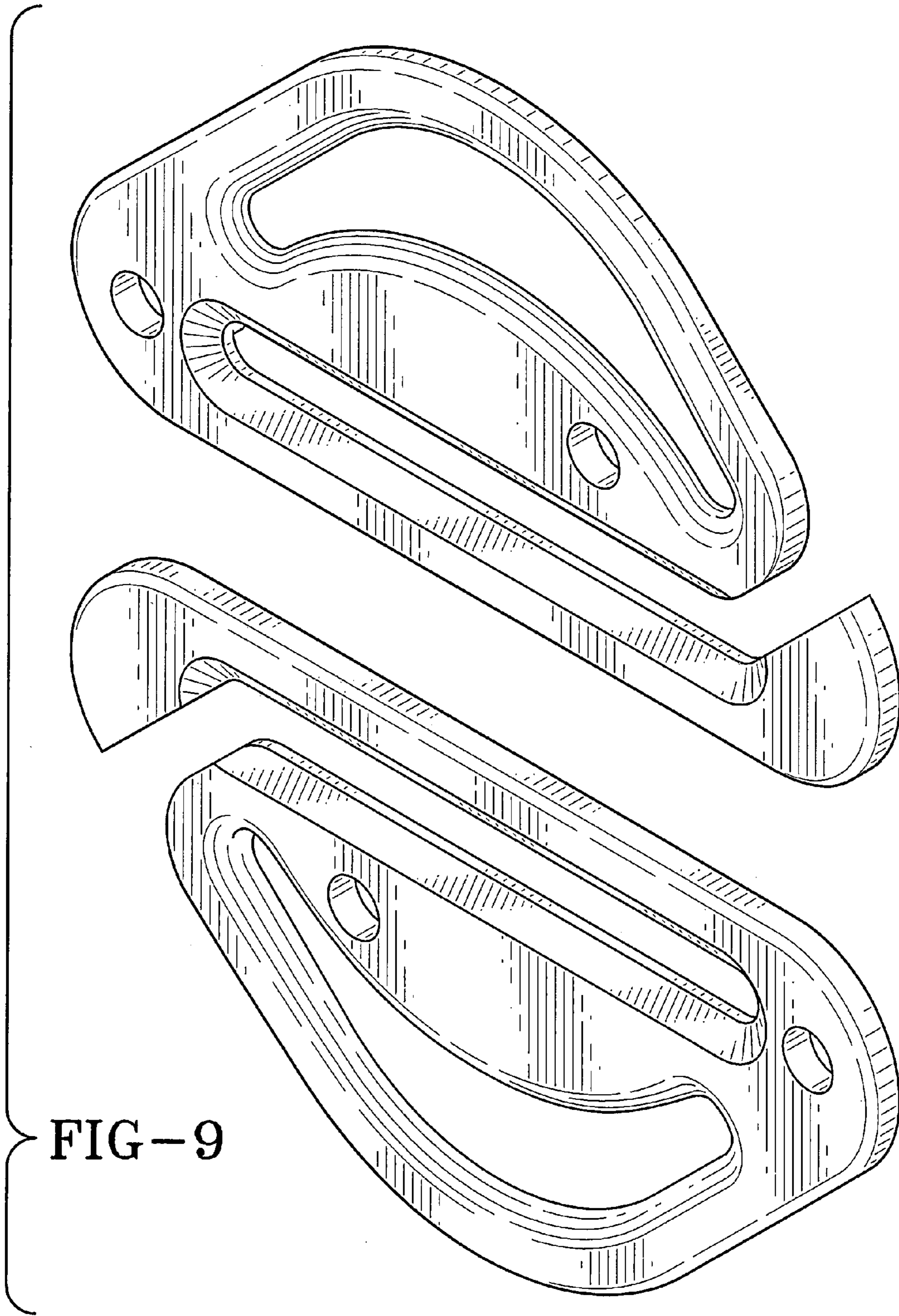


FIG-9