

US00D699548S

(12) **United States Design Patent**
Veilleux et al.

(10) **Patent No.:** **US D699,548 S**

(45) **Date of Patent:** **** Feb. 18, 2014**

(54) **SLOTTED MINI-HOOK**

(71) Applicants: **David Veilleux**, Stillwater, MN (US);
Alain Moncade, Brossard (CA)

(72) Inventors: **David Veilleux**, Stillwater, MN (US);
Alain Moncade, Brossard (CA)

(**) Term: **14 Years**

(21) Appl. No.: **29/443,828**

(22) Filed: **Jan. 23, 2013**

(51) **LOC (10) Cl.** **08-05**

(52) **U.S. Cl.**
USPC **D8/367**

(58) **Field of Classification Search**
USPC D8/367, 354, 349, 373, 372; D6/323;
248/301-304, 339, 205.3
See application file for complete search history.

(56) **References Cited**

U.S. PATENT DOCUMENTS

D23,245 S *	5/1894	Andersen	D8/367
D306,689 S *	3/1990	Hamann	D8/363
D354,677 S *	1/1995	Troyer	D8/396
5,682,652 A *	11/1997	Brody et al.	24/300

D423,914 S *	5/2000	Klein et al.	D8/367
D576,025 S *	9/2008	Mazzocco	D8/382
D600,100 S *	9/2009	Moncade	D8/367
D601,880 S *	10/2009	Veilleux	D8/367
D602,395 S *	10/2009	Wang	D11/139
D604,139 S *	11/2009	Forsythe	D8/105
D607,298 S *	1/2010	Lucas	D8/98
D610,898 S *	3/2010	Hager et al.	D8/367
D683,207 S *	5/2013	Papadopoulos	D8/367

* cited by examiner

Primary Examiner — Cynthia Underwood

(74) *Attorney, Agent, or Firm* — James A. Italia; Italia IP

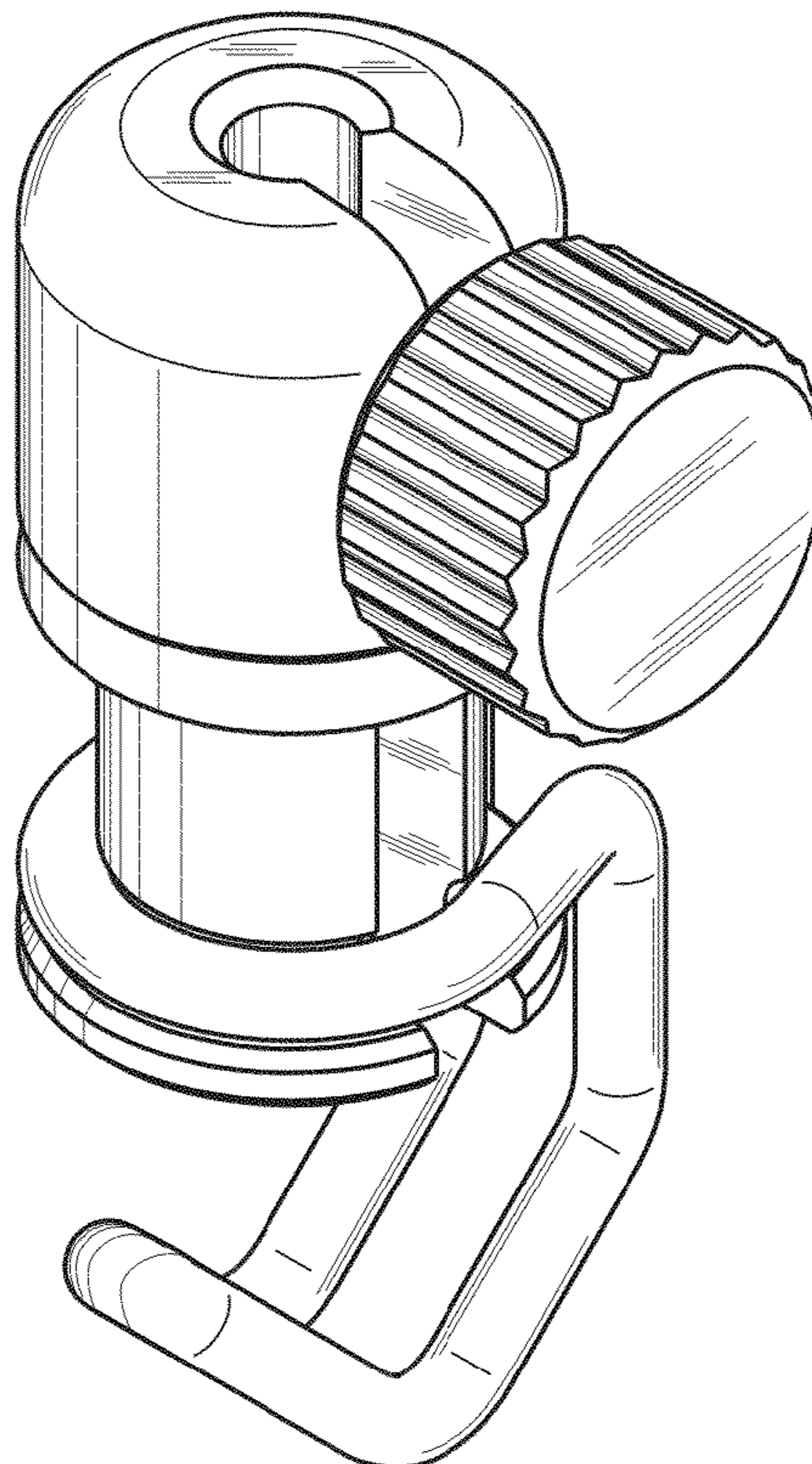
(57) **CLAIM**

The ornamental design for a slotted mini-hook, as shown and described.

DESCRIPTION

FIG. 1 is a perspective view of a slotted mini-hook, showing our new design;
FIG. 2 is a right-side elevational view of the invention;
FIG. 3 is a left-side elevational view of the invention;
FIG. 4 is a front elevational view of the invention;
FIG. 5 is a rear elevational view of the invention;
FIG. 6 is a top plan view of the invention; and,
FIG. 7 is a bottom plan view of the invention.

1 Claim, 3 Drawing Sheets



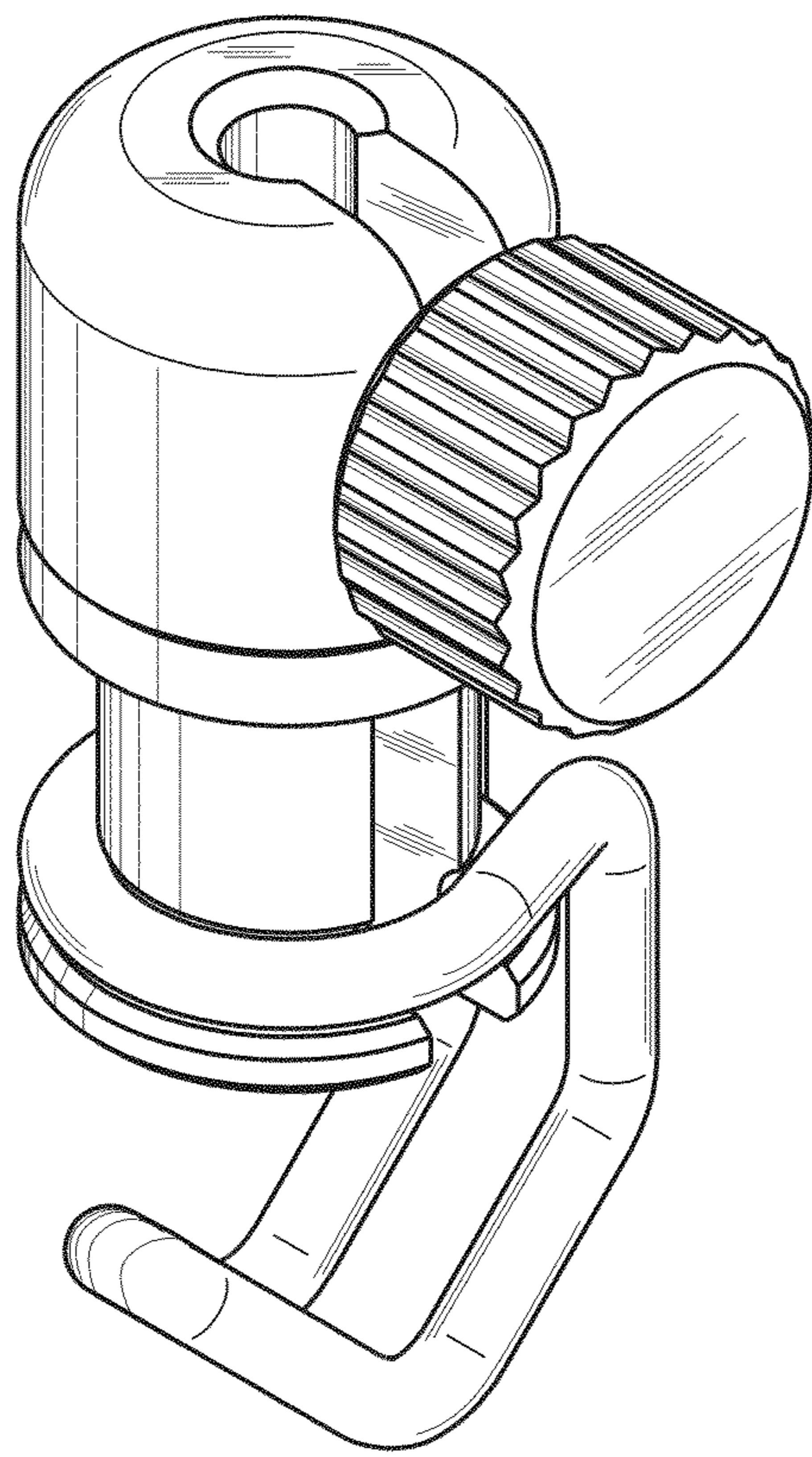


FIG. 1

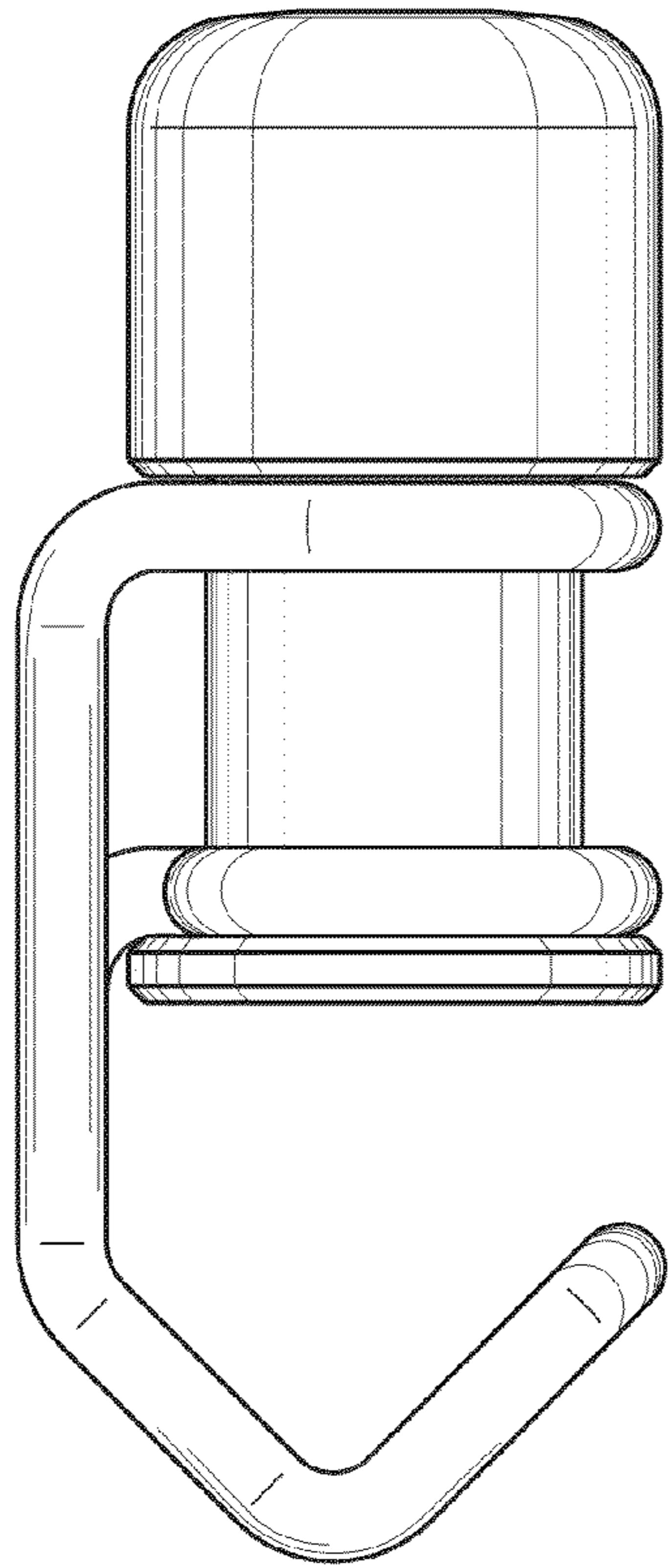


FIG. 3

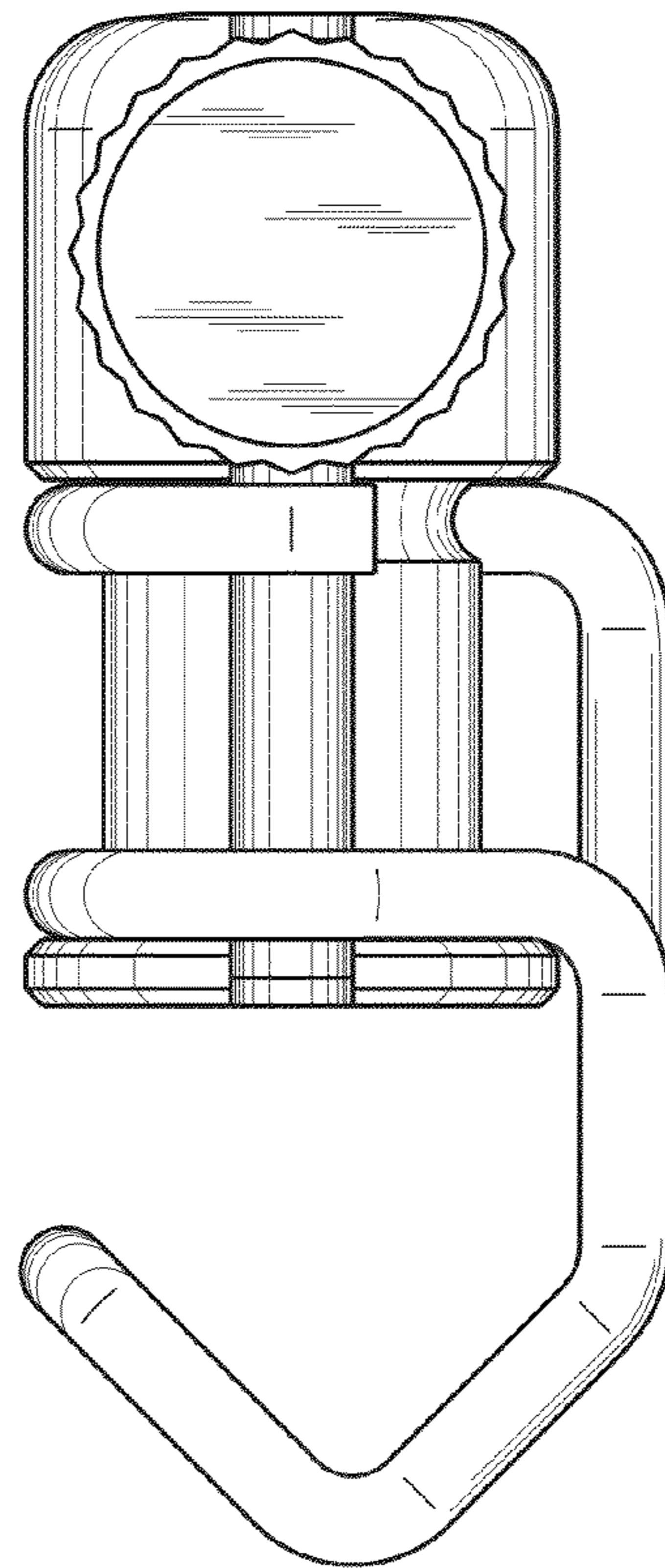


FIG. 2

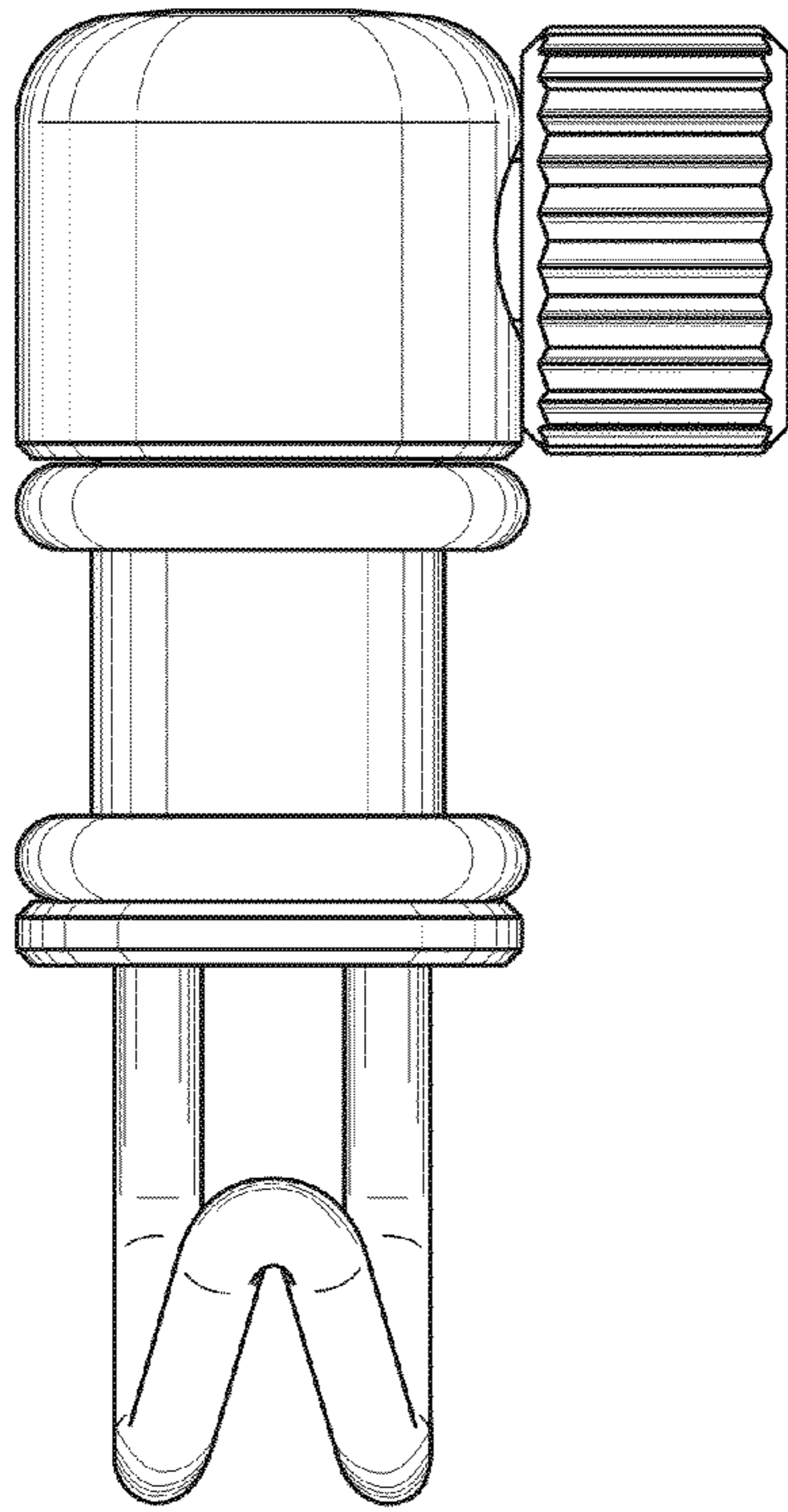


FIG. 4

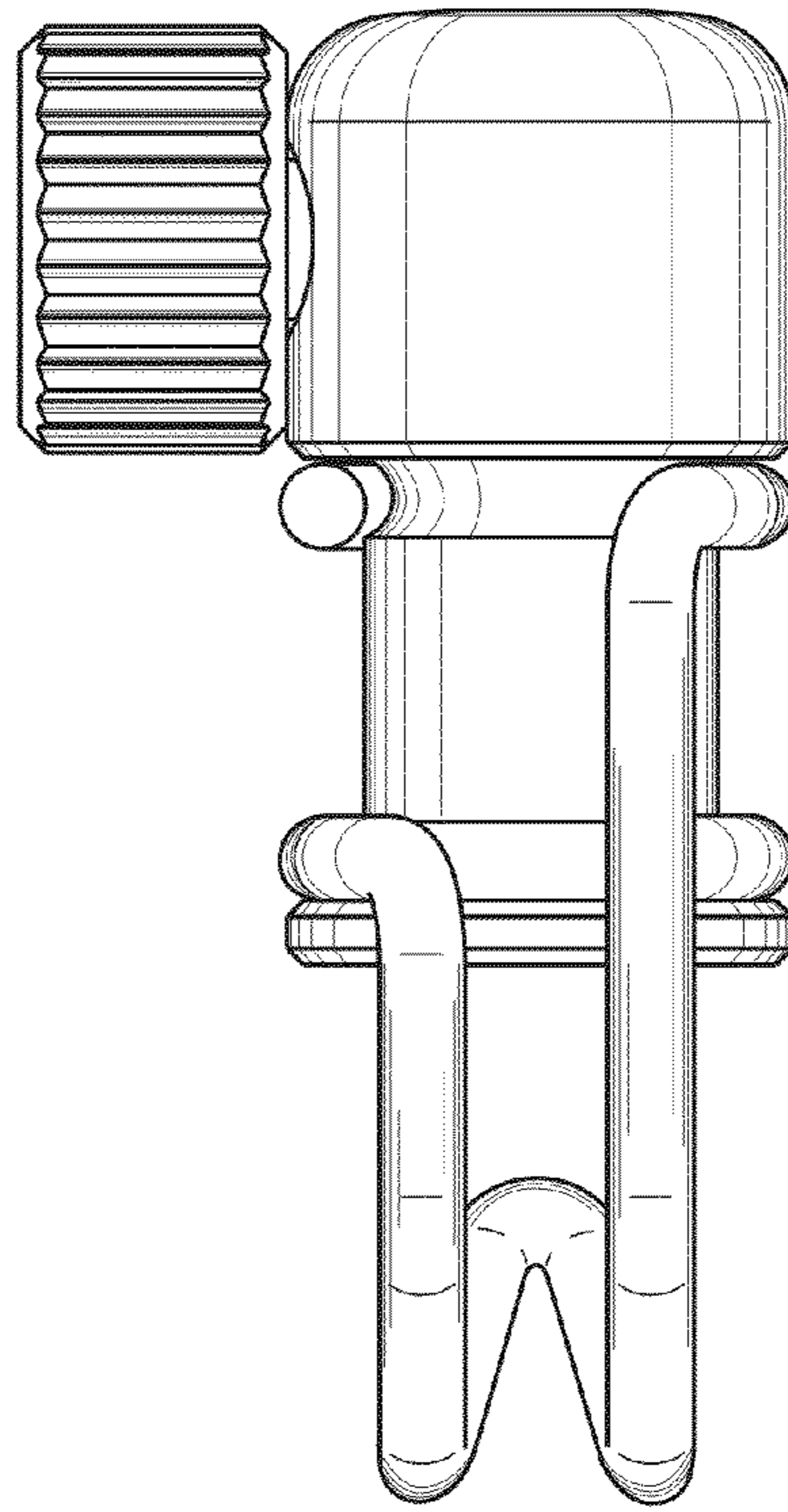


FIG. 5

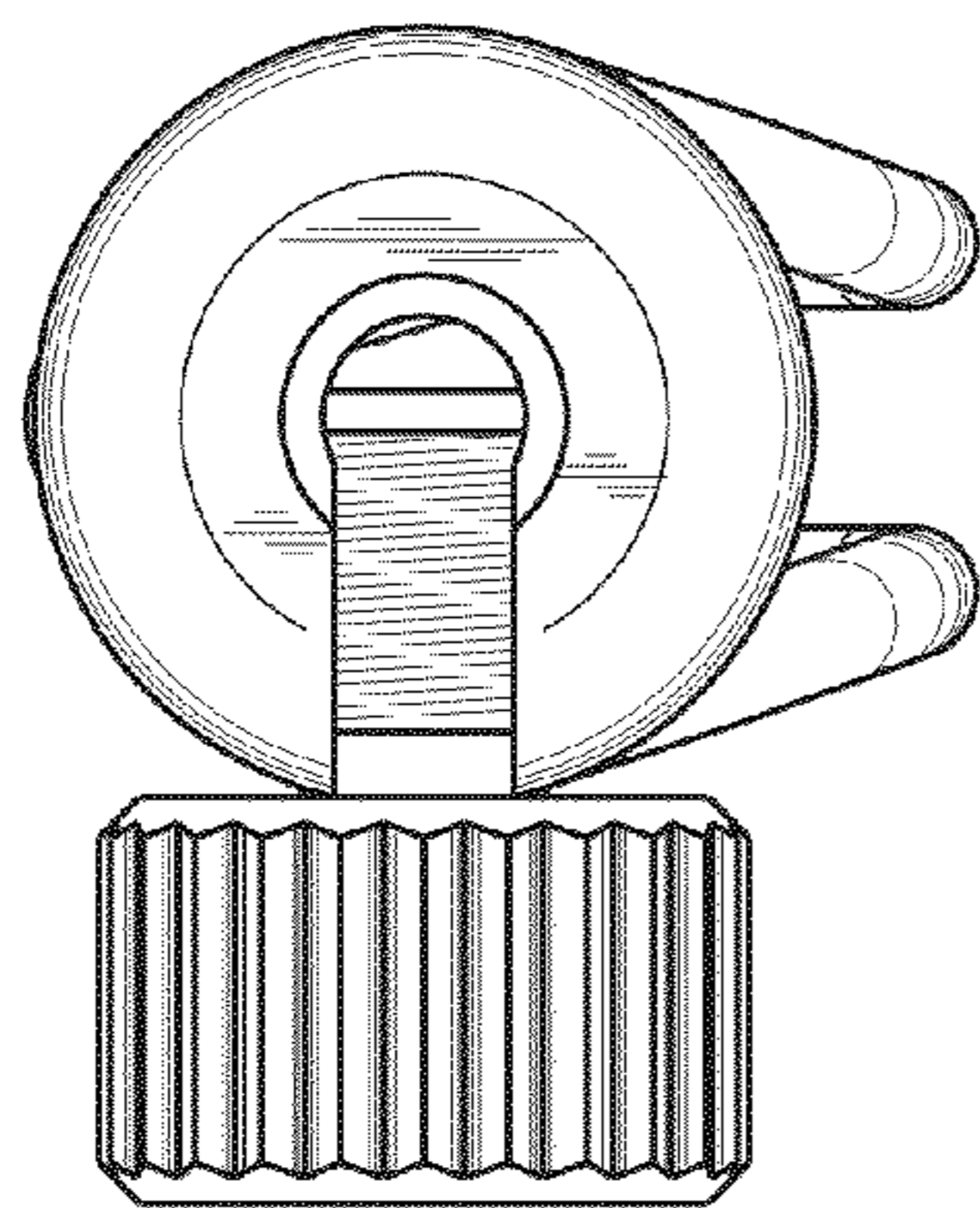


FIG. 6

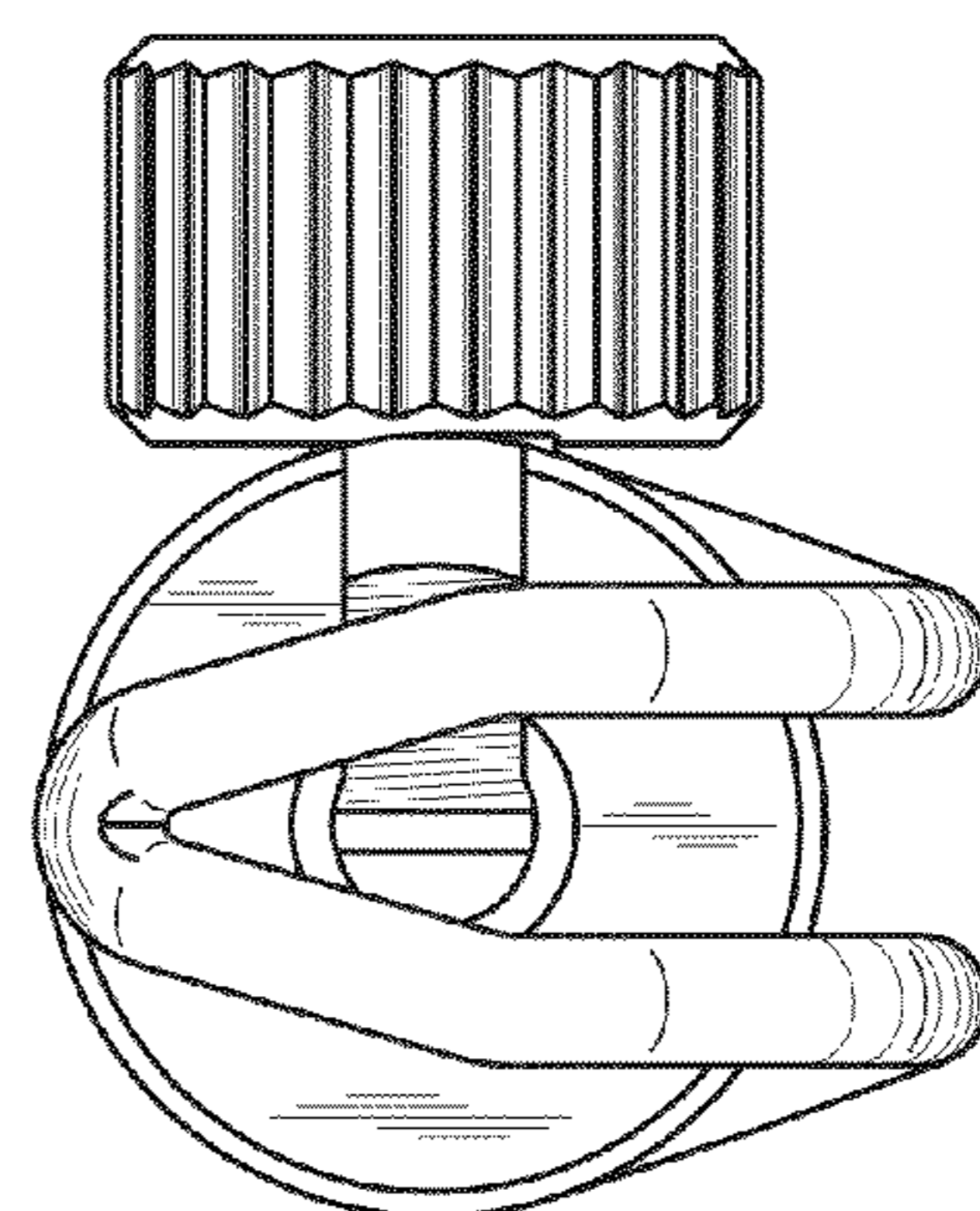


FIG. 7