



US00D699547S

(12) **United States Design Patent**
Syed et al.

(10) **Patent No.:** **US D699,547 S**
(45) **Date of Patent:** **** Feb. 18, 2014**

(54) **HANDRAIL BRACKET**

(76) Inventors: **Lori Syed**, Portland, OR (US); **Rafi Syed**, Hillsboro, OR (US)

(**) Term: **14 Years**

(21) Appl. No.: **29/422,781**

(22) Filed: **May 23, 2012**

(51) **LOC (10) Cl.** **08-05**

(52) **U.S. Cl.**
USPC **D8/363**

(58) **Field of Classification Search**
USPC D8/363, 380; 248/300, 309.1
See application file for complete search history.

(56) **References Cited**

U.S. PATENT DOCUMENTS

D298,915 S *	12/1988	Rowley et al.	D8/373
D594,739 S *	6/2009	Lee	D8/363
D646,957 S *	10/2011	Syed et al.	D8/363

* cited by examiner

Primary Examiner — Holly Baynham

(74) *Attorney, Agent, or Firm* — Baumgartner Patent Law; Marc Baumgartner

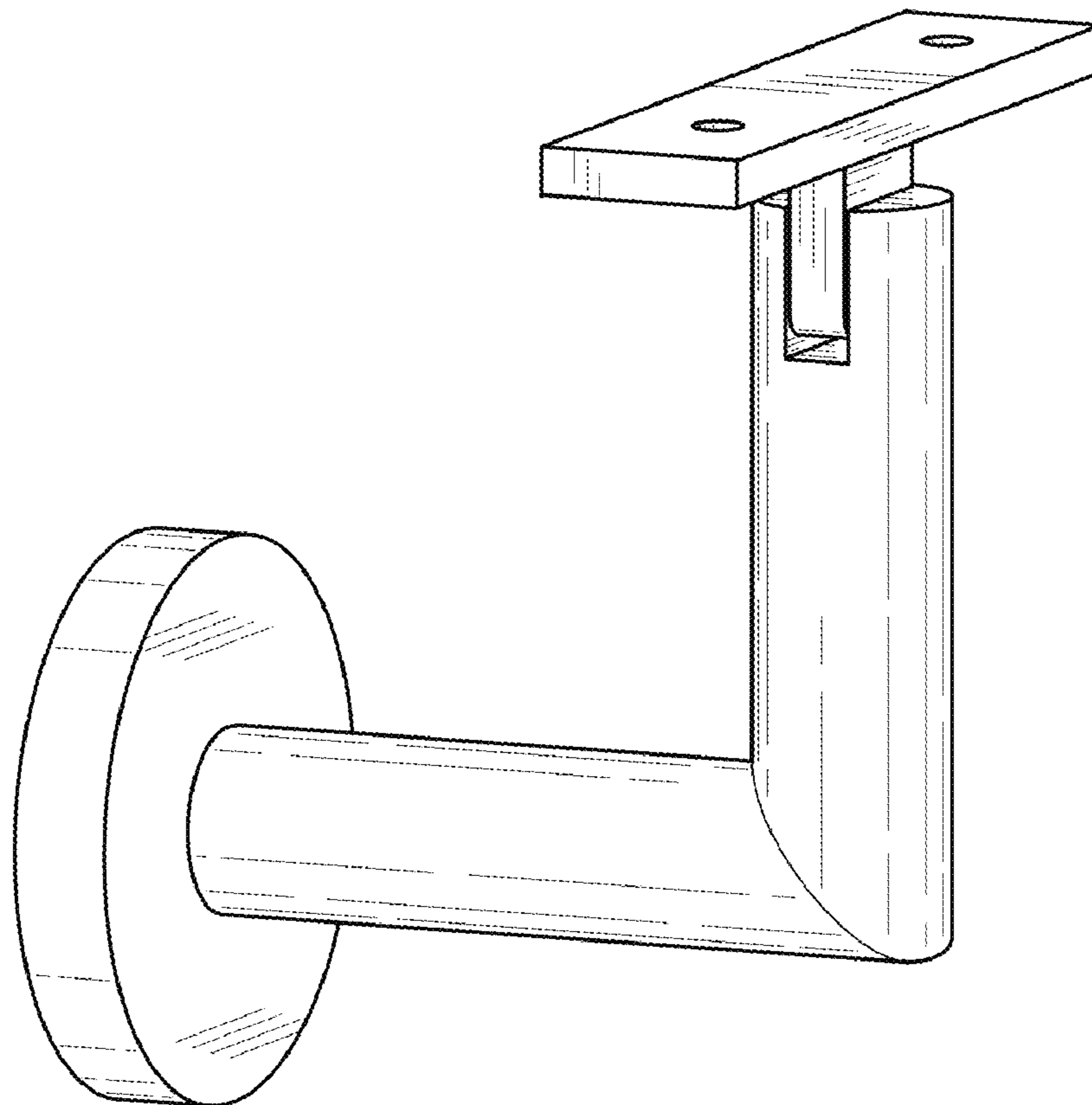
(57) **CLAIM**

The ornamental design for a handrail bracket, as shown and described.

DESCRIPTION

FIG. 1 is a perspective view of the handrail bracket.
 FIG. 2 is a front elevational view of the handrail bracket.
 FIG. 3 is a rear elevational view of the handrail bracket.
 FIG. 4 is a top elevational view of the handrail bracket.
 FIG. 5 is a bottom elevational view of the handrail bracket.
 FIG. 6 is a side elevational view of the handrail bracket (the other side is a mirror image of this side)
 FIG. 7 is a sectional view to clarify the configuration of the exterior surface of the back of the handrail bracket; and,
 FIG. 8 is a front perspective view with the broken lines showing a rail, being for the purpose of illustrating environment and forms no part of the claimed design.
 The broken lines in the drawings depict portions that are not part of the claimed design, but rather show the environment in which the design is associated.

1 Claim, 5 Drawing Sheets



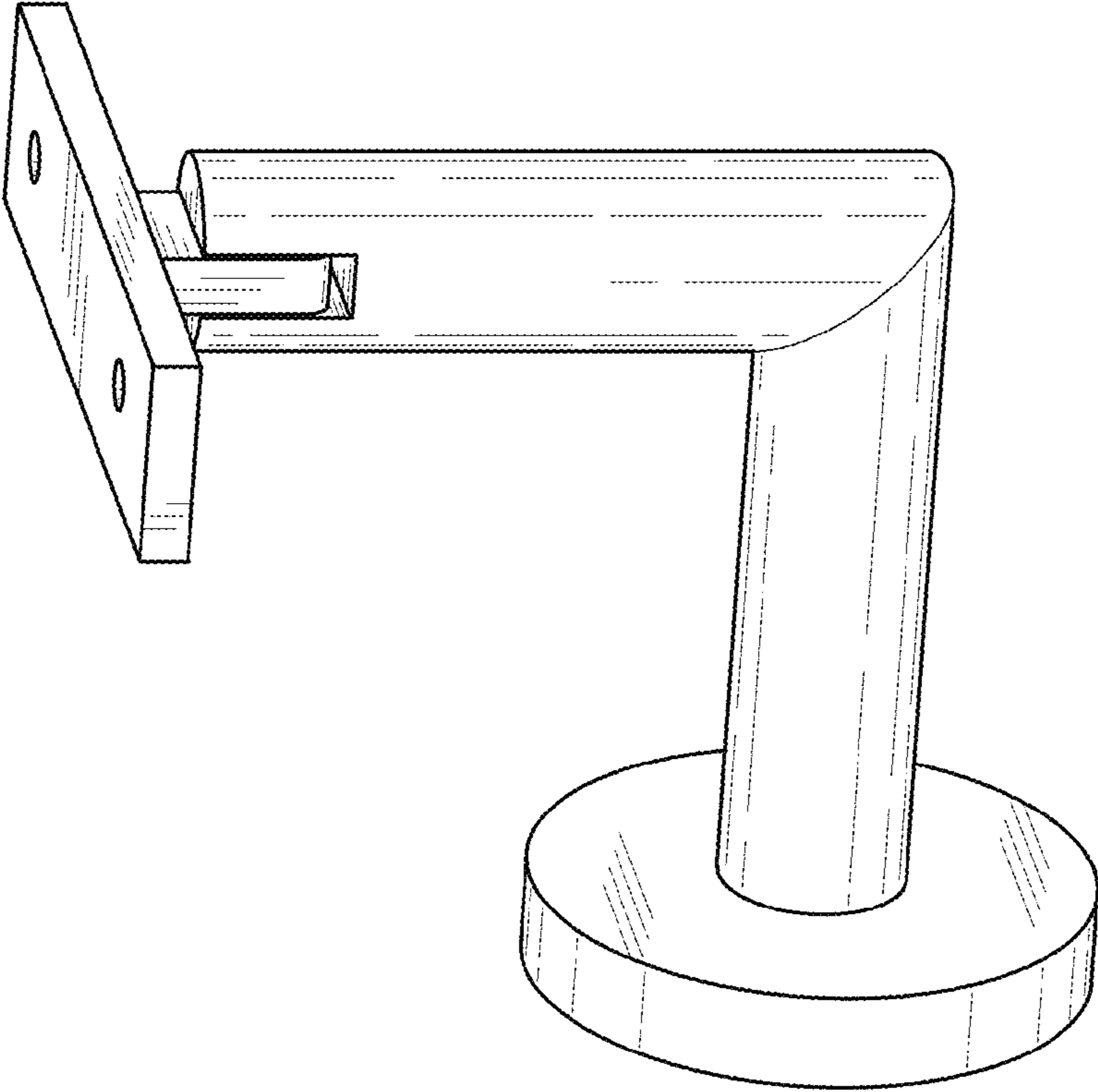


Fig. 1

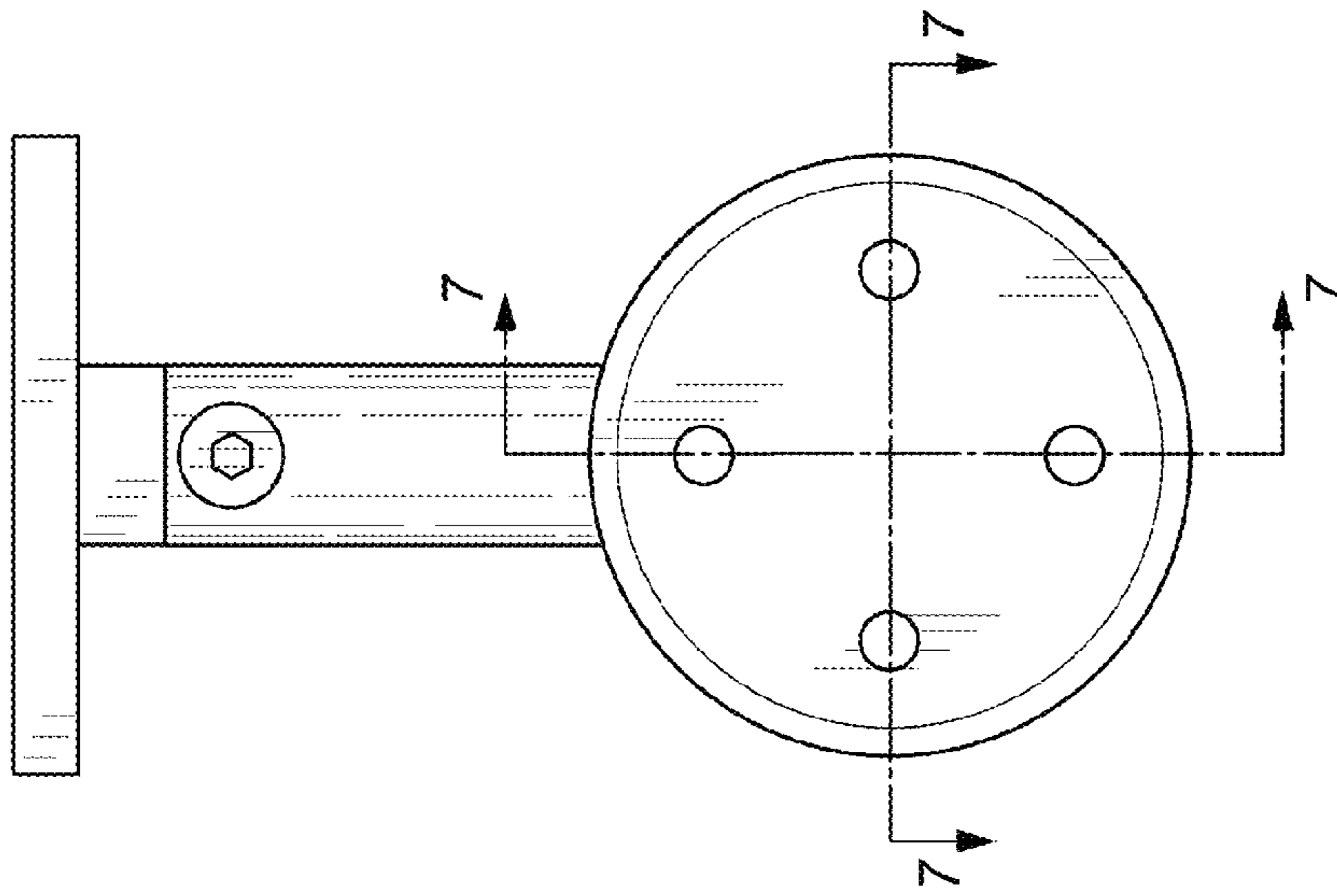


Fig. 3

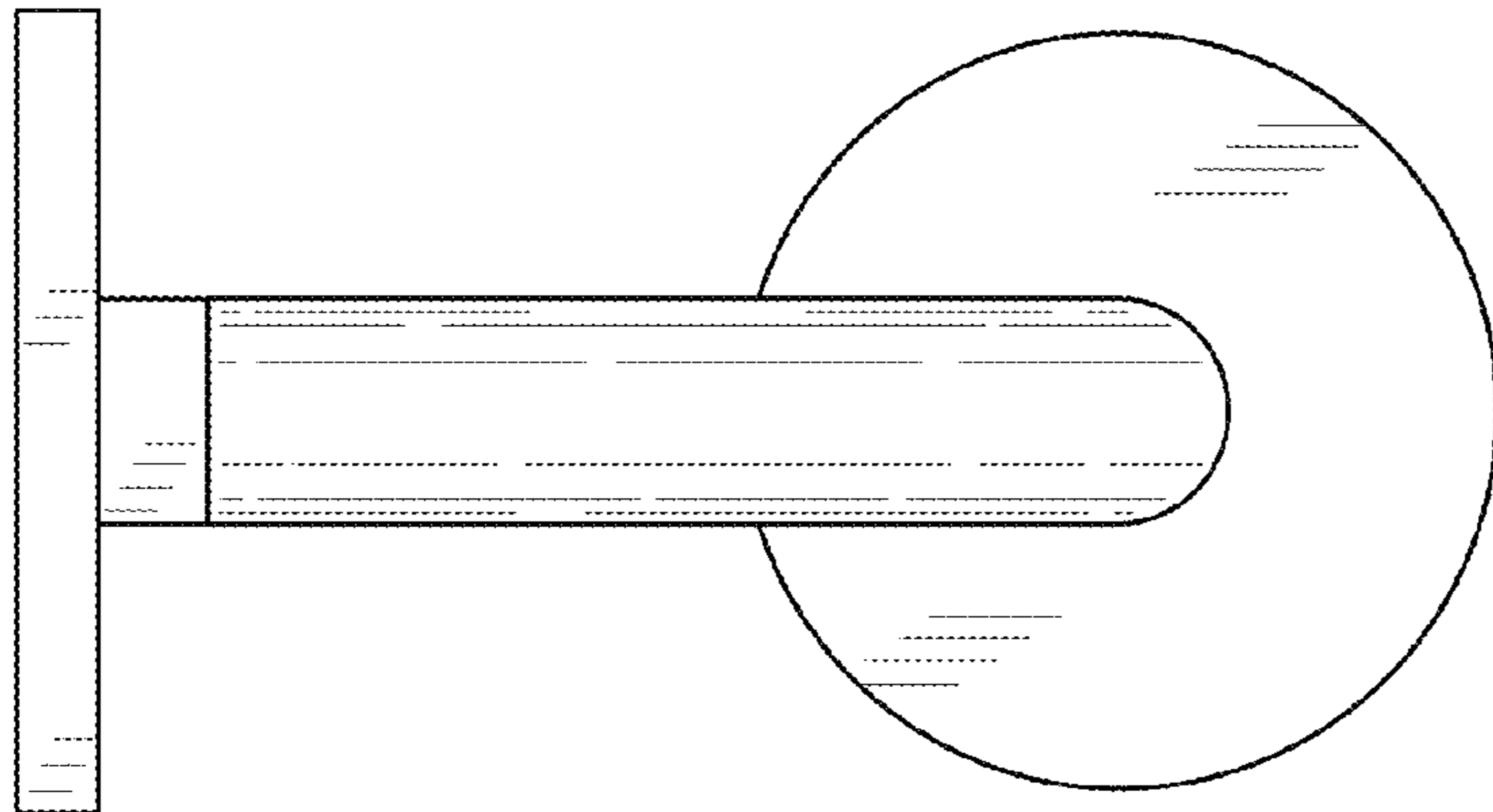


Fig. 2

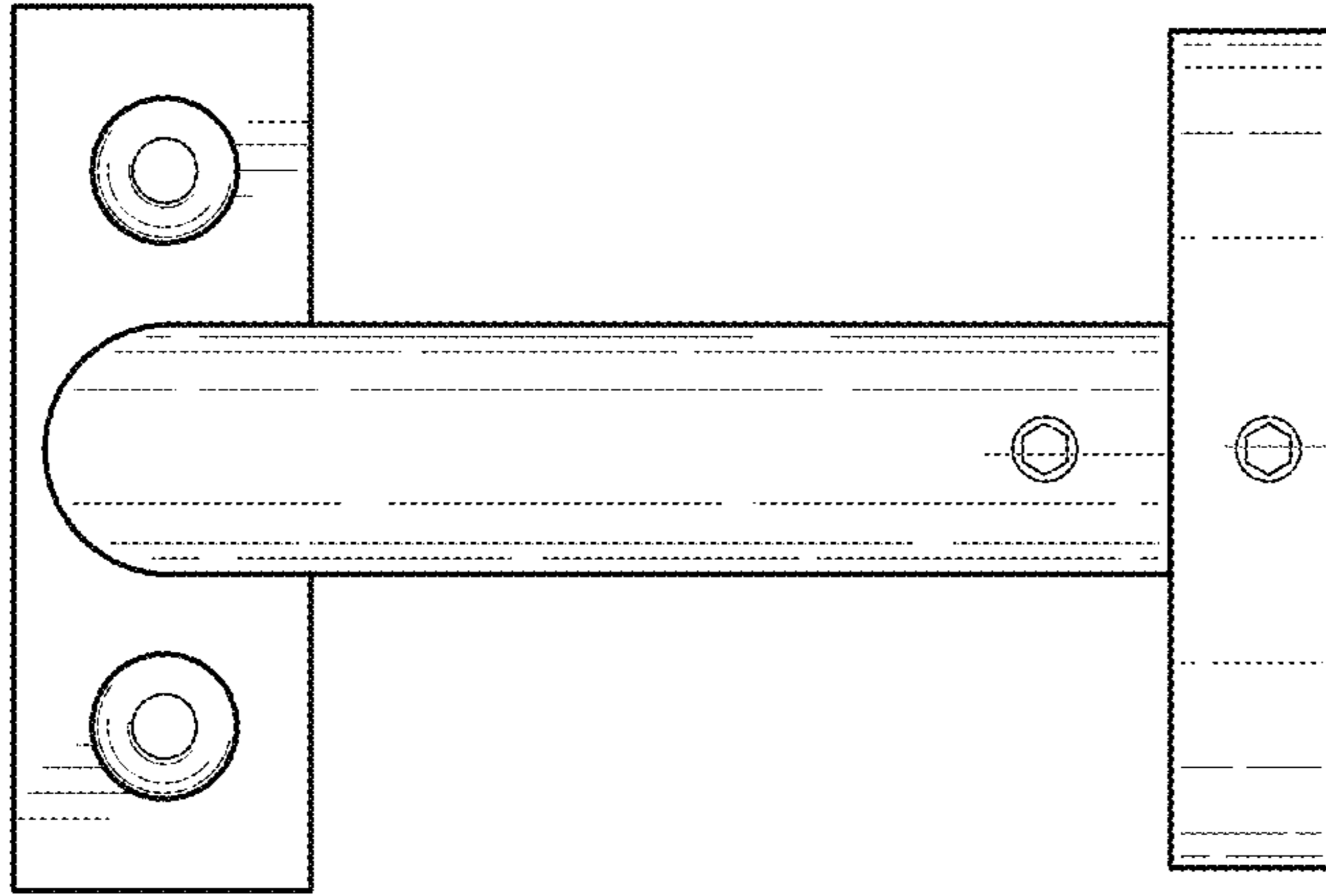


Fig. 5

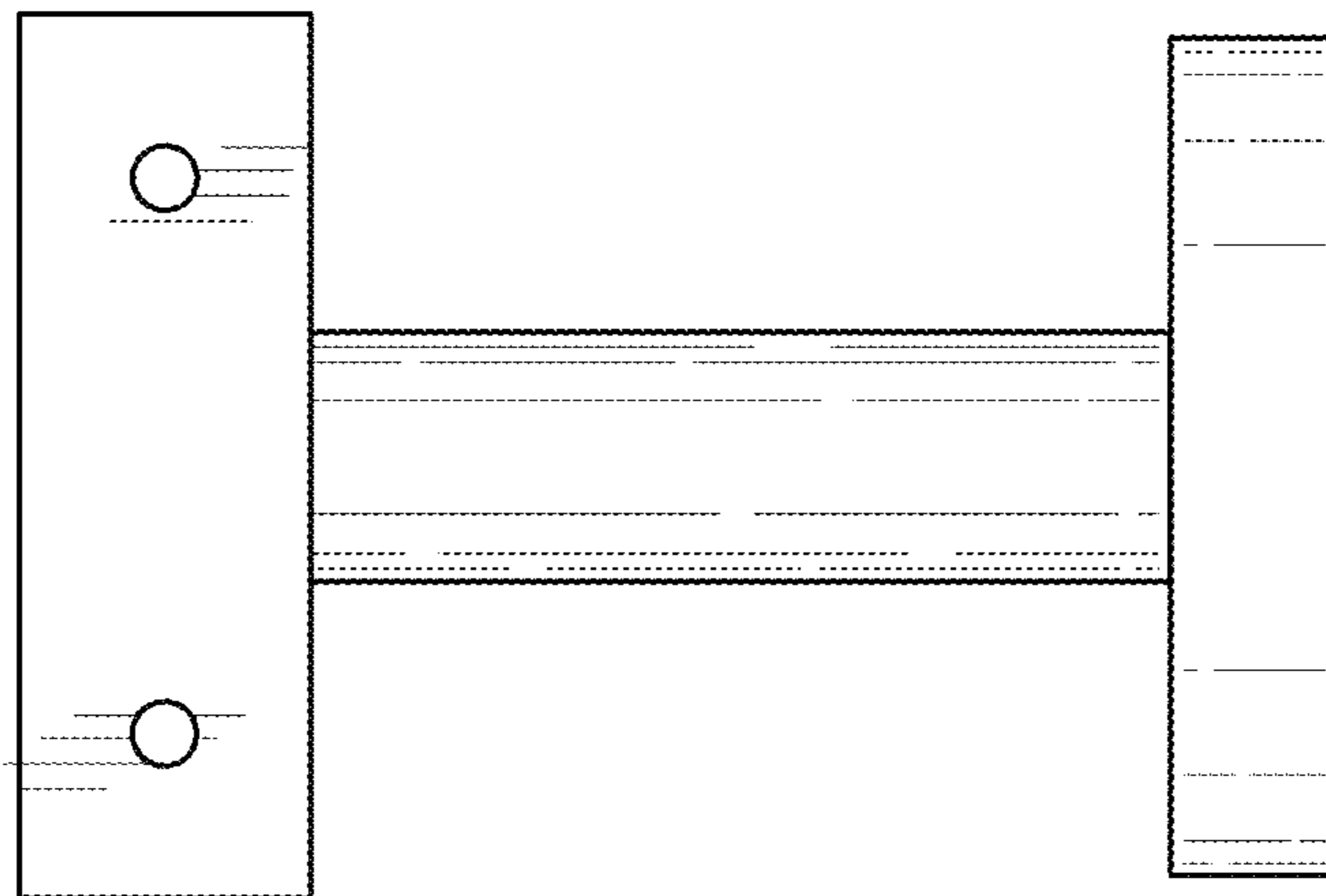


Fig. 4

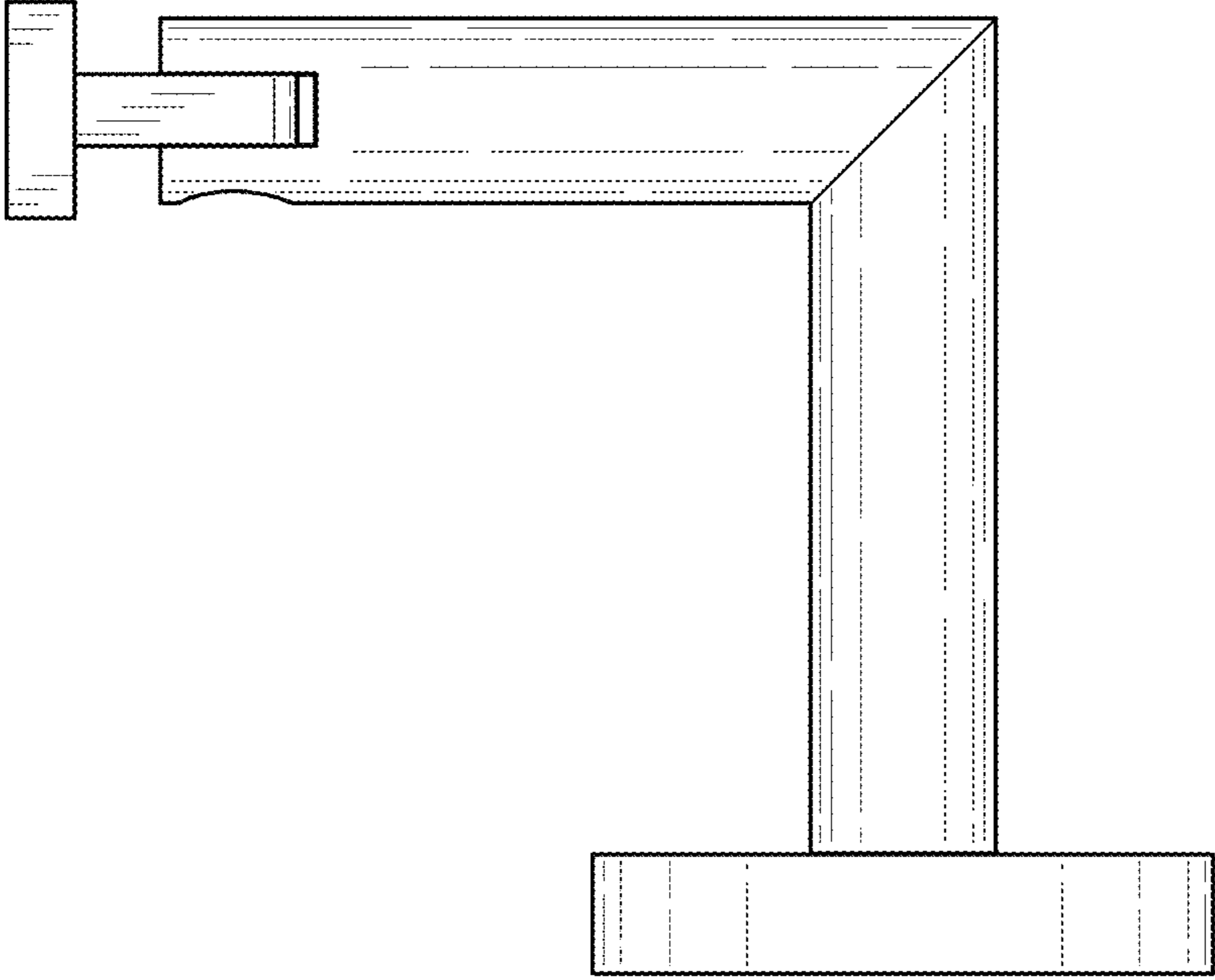


Fig. 6

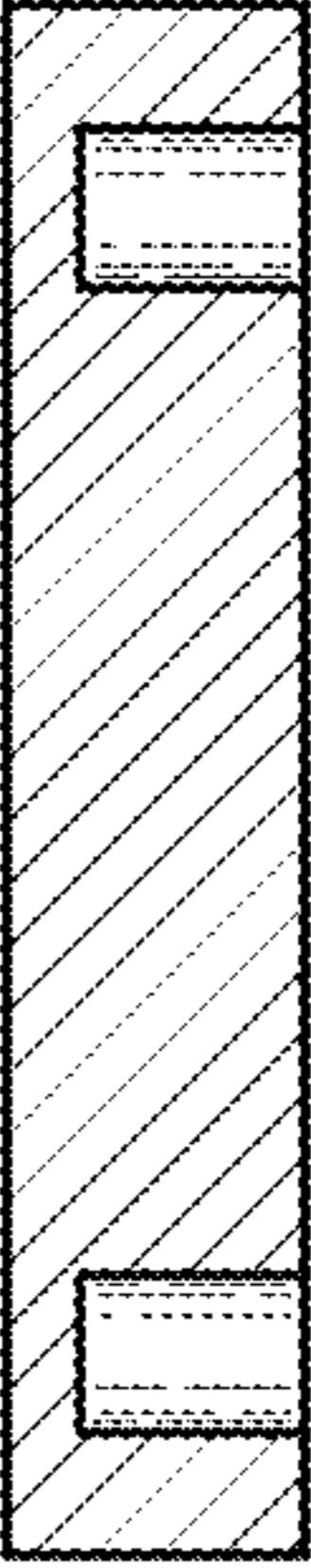


Fig. 7

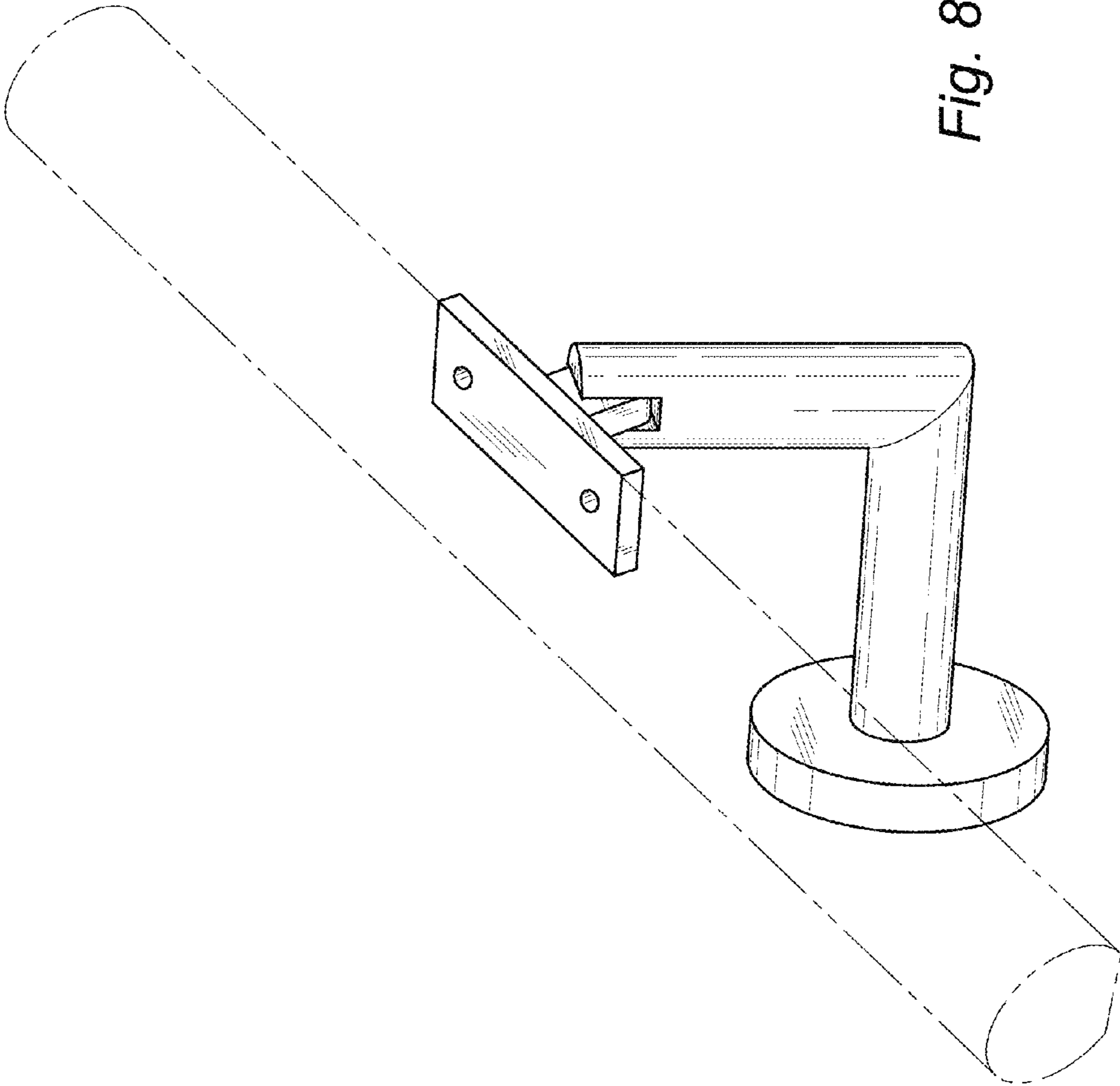


Fig. 8