



US00D699544S

(12) **United States Design Patent**  
**Lin**

(10) **Patent No.:** **US D699,544 S**

(45) **Date of Patent:** **\*\* Feb. 18, 2014**

- (54) **LOCKING HEAD OF WIRE**
- (71) Applicant: **Lintex Co., Ltd.**, Zhanghua County (TW)
- (72) Inventor: **Chia-Sheng Lin**, Zhanghua County (TW)
- (73) Assignee: **Lintex Co., Ltd.**, Zhanghua County (TW)

6,605,781	B2 *	8/2003	Milanowski et al. ....	174/74 R
D520,861	S *	5/2006	Jornod et al. ....	D8/343
D571,637	S *	6/2008	Littrell et al. ....	D8/339
7,510,301	B2 *	3/2009	Dial .....	362/253
7,690,868	B2 *	4/2010	Wallstein et al. ....	405/302.2
8,297,086	B2 *	10/2012	Yu et al. ....	70/14
D670,553	S *	11/2012	Mahaffey et al. ....	D8/343
D677,144	S *	3/2013	Kuschmeader et al. ....	D8/333
8,387,423	B2 *	3/2013	Taiga .....	70/25
D689,358	S *	9/2013	Stevens .....	D8/343

\* cited by examiner

- (\*\*) Term: **14 Years**
- (21) Appl. No.: **29/444,977**
- (22) Filed: **Feb. 6, 2013**

*Primary Examiner* — Prabhakar Deshmukh  
(74) *Attorney, Agent, or Firm* — Muncy, Geissler, Olds & Lowe, PLLC

(30) **Foreign Application Priority Data**

Oct. 26, 2012 (TW) ..... 101220773

(51) **LOC (10) Cl.** ..... **08-07**

(52) **U.S. Cl.**  
USPC ..... **D8/343**

(58) **Field of Classification Search**  
USPC ..... D8/330, 331, 333, 334, 339–341, 343, D8/349, 164, 158, 229, 230, 367; 70/20, 70/30, 31, 38 A, 38 R, 51, 52, 57.1, 141, 70/233, 431  
See application file for complete search history.

(56) **References Cited**

**U.S. PATENT DOCUMENTS**

5,785,289	A *	7/1998	Shieh .....	248/230.1
6,481,250	B1 *	11/2002	Kuo .....	70/49

(57) **CLAIM**

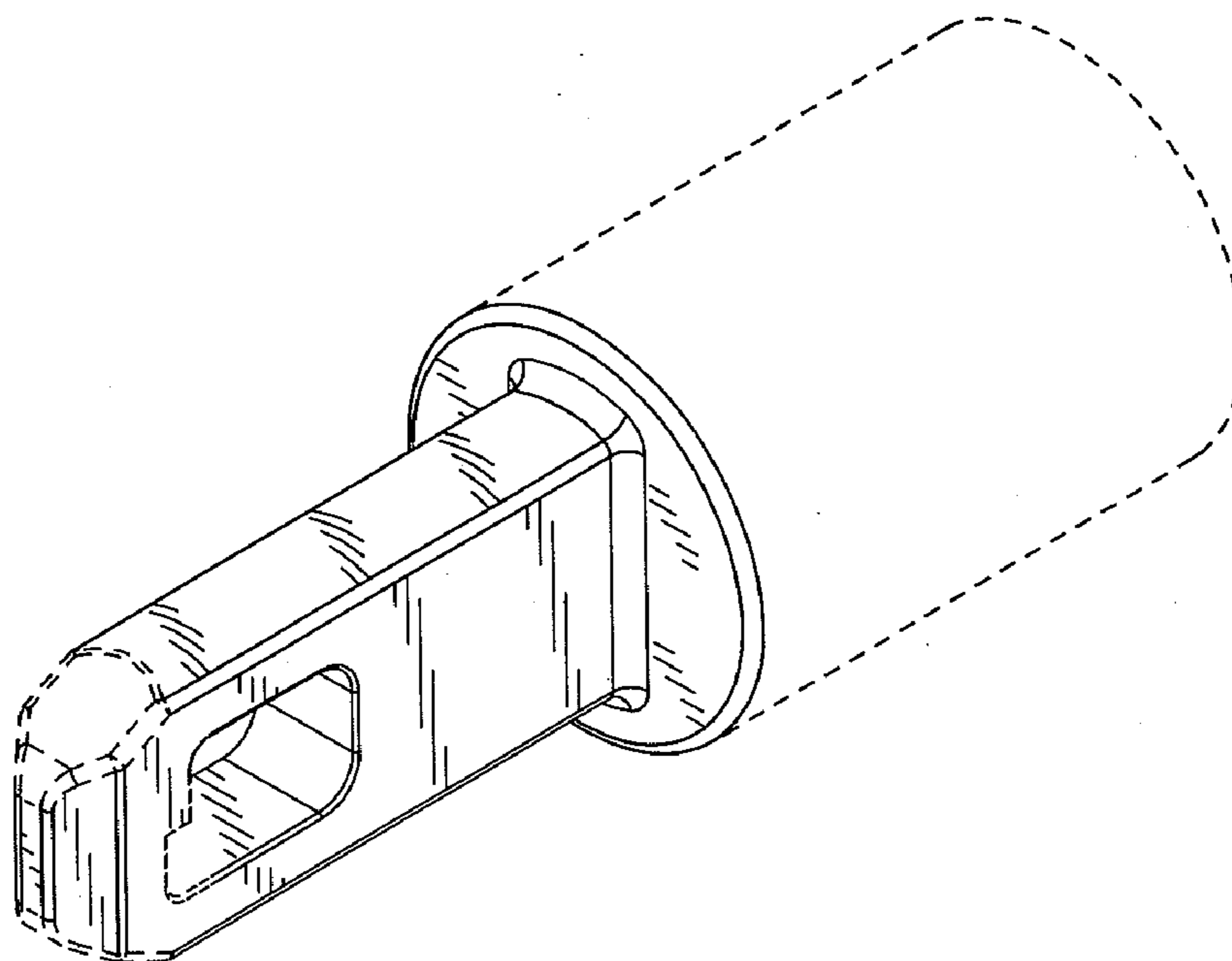
The ornamental design for a locking head of wire, as shown and described.

**DESCRIPTION**

FIG. 1 is a perspective view of a locking head of wire showing my new design;  
FIG. 2 is a front elevational view thereof;  
FIG. 3 is a rear elevational view thereof;  
FIG. 4 is a left side view thereof;  
FIG. 5 is a right side view thereof;  
FIG. 6 is a top plan view thereof; and,  
FIG. 7 is a bottom plan view.

The broken lines immediately adjacent to the claimed areas represent the boundaries of the design. The broken lines environment is for illustrative purpose only. None of the broken lines form part of the claimed design.

**1 Claim, 4 Drawing Sheets**



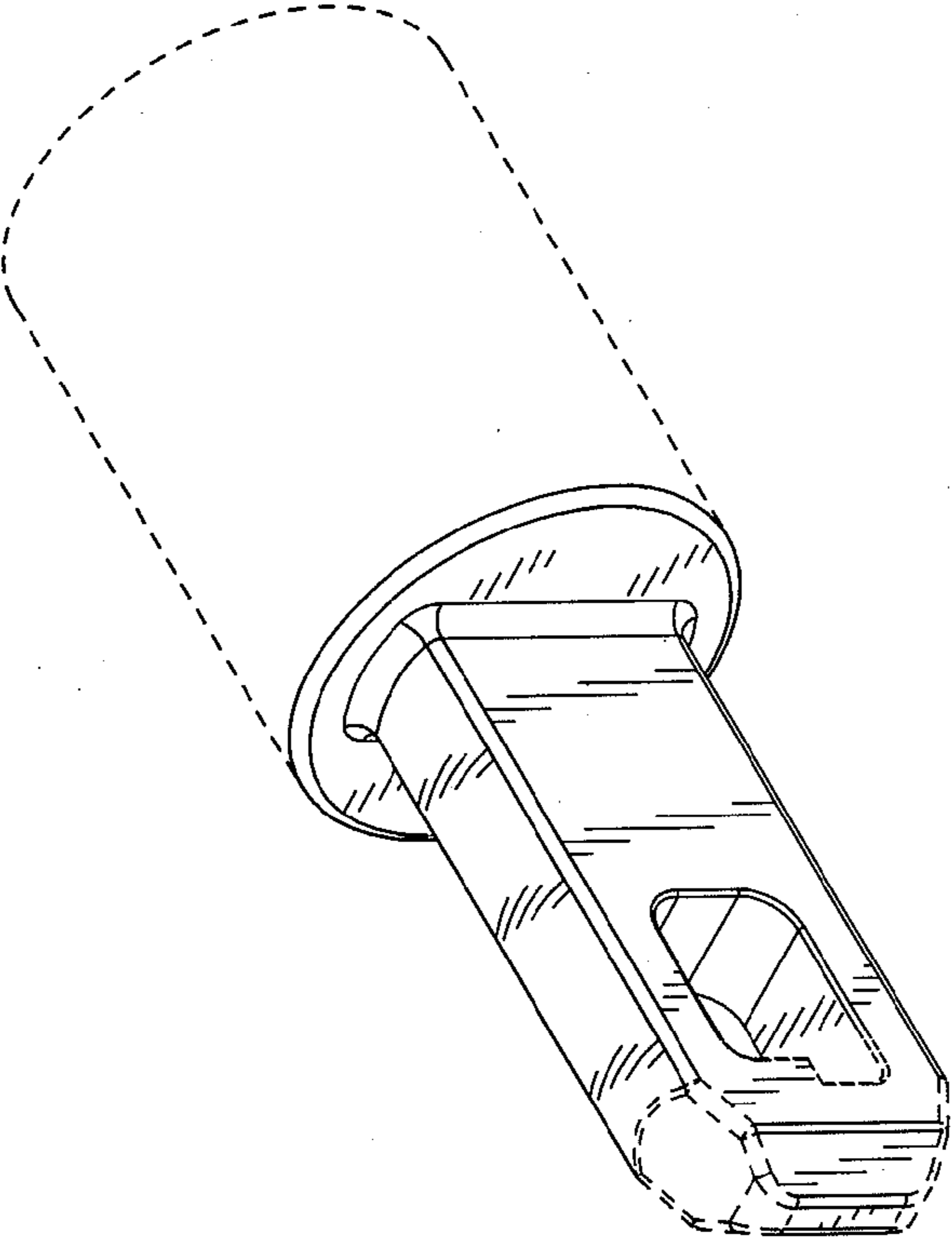


FIG. 1

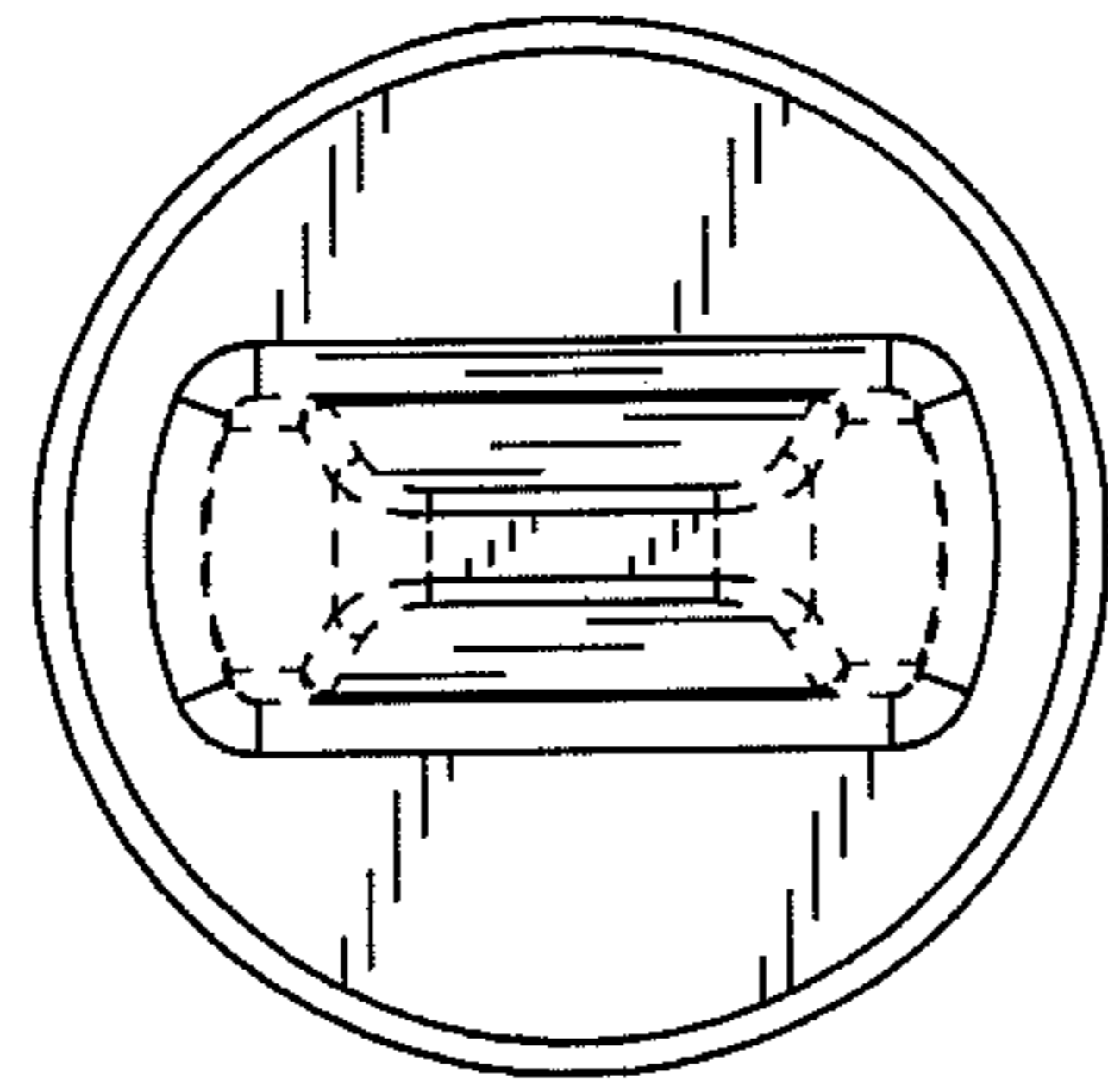


FIG. 2

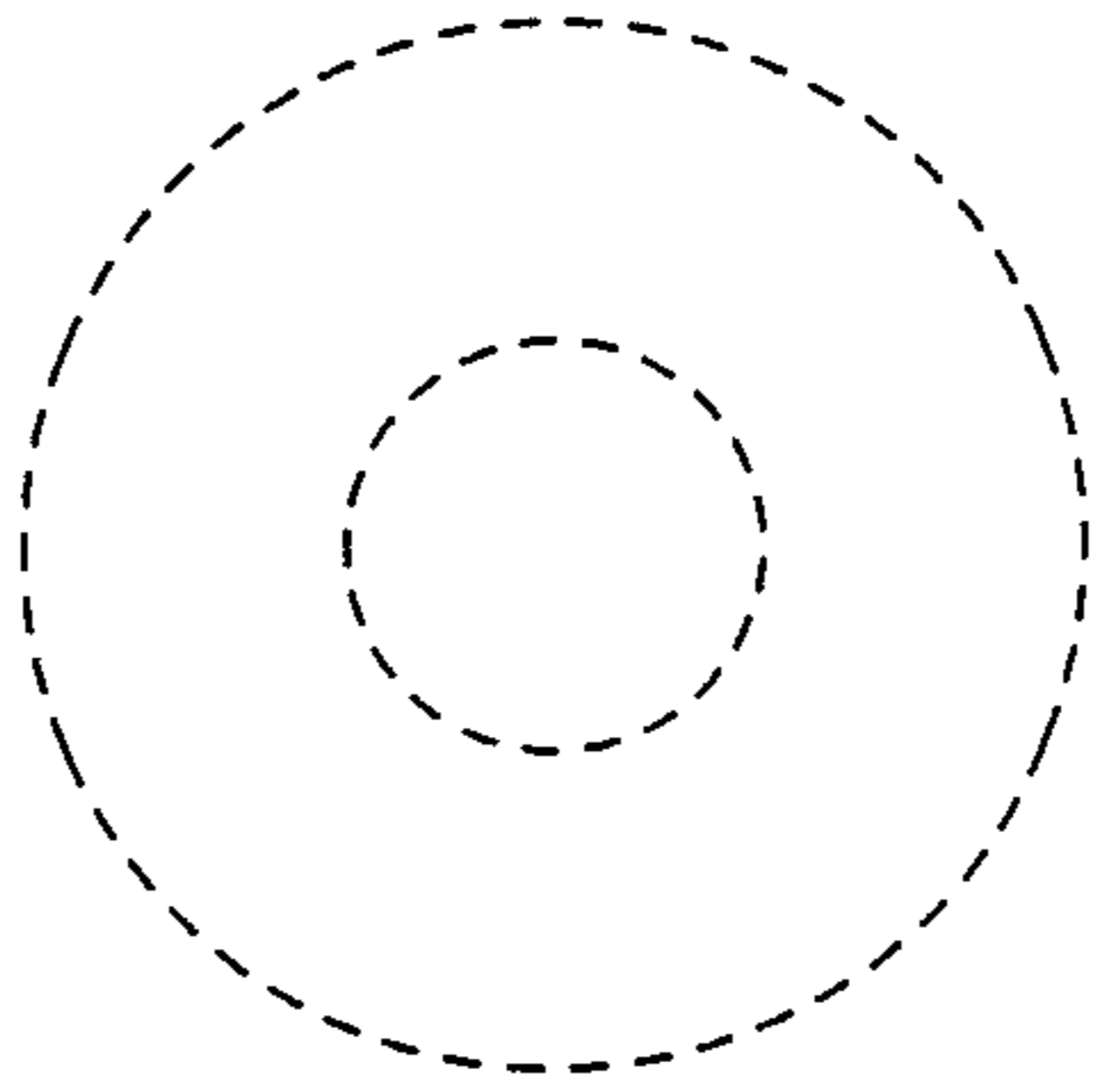


FIG. 3

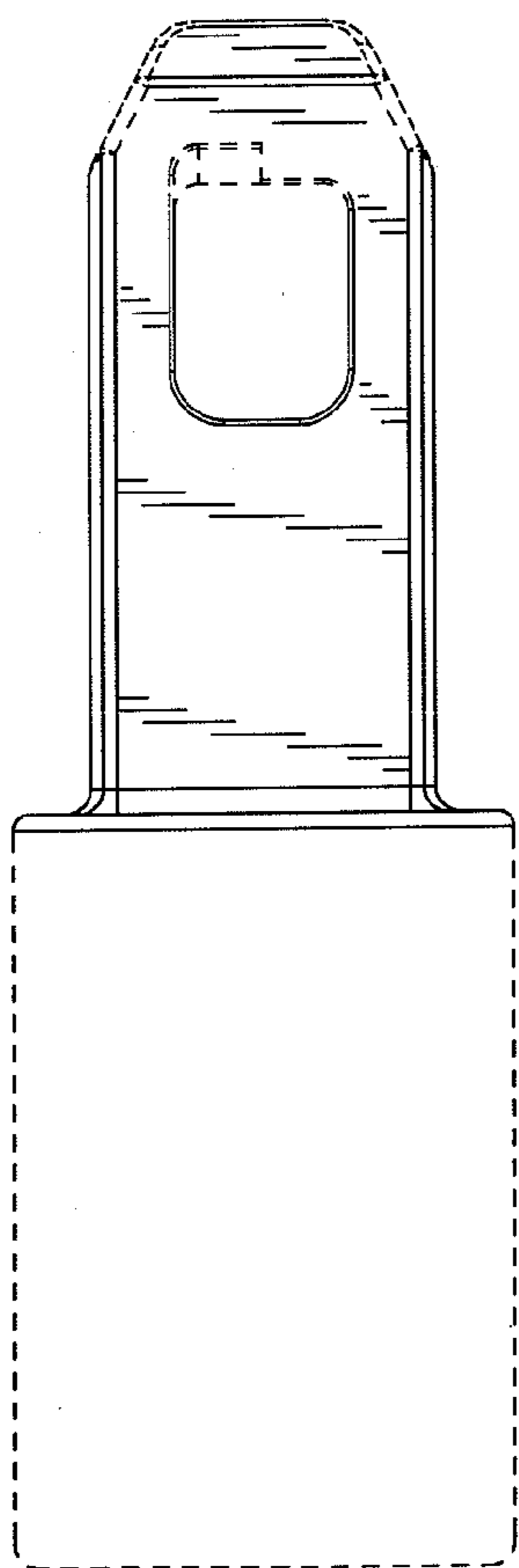


FIG. 4

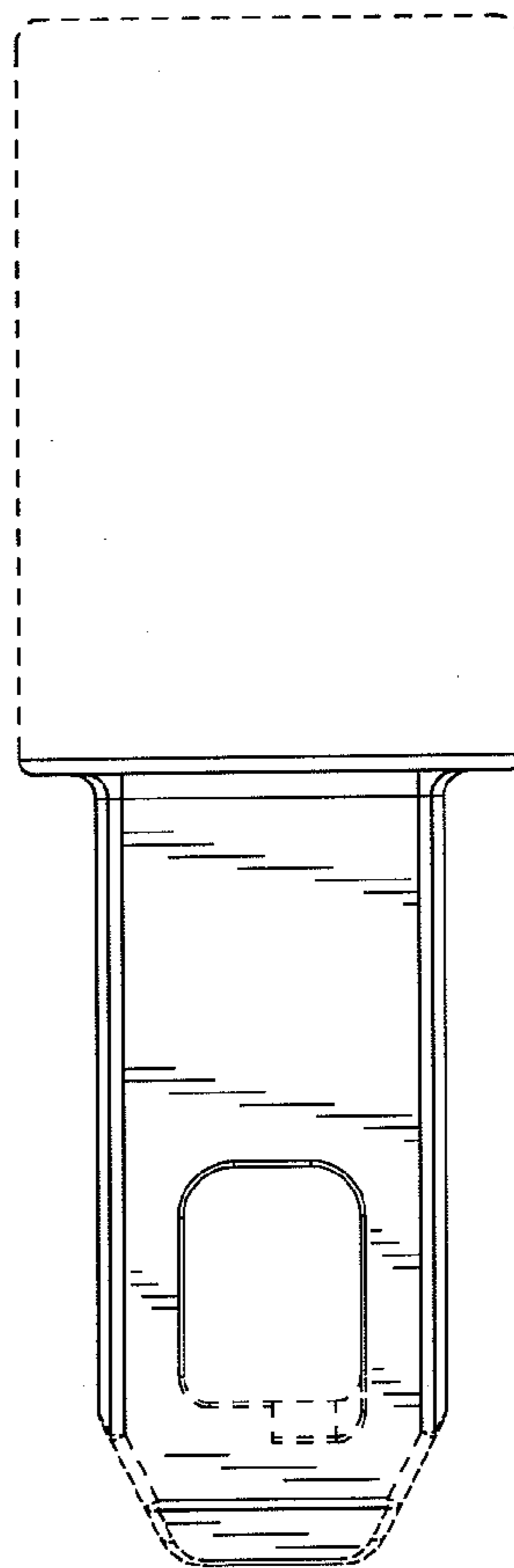


FIG. 5

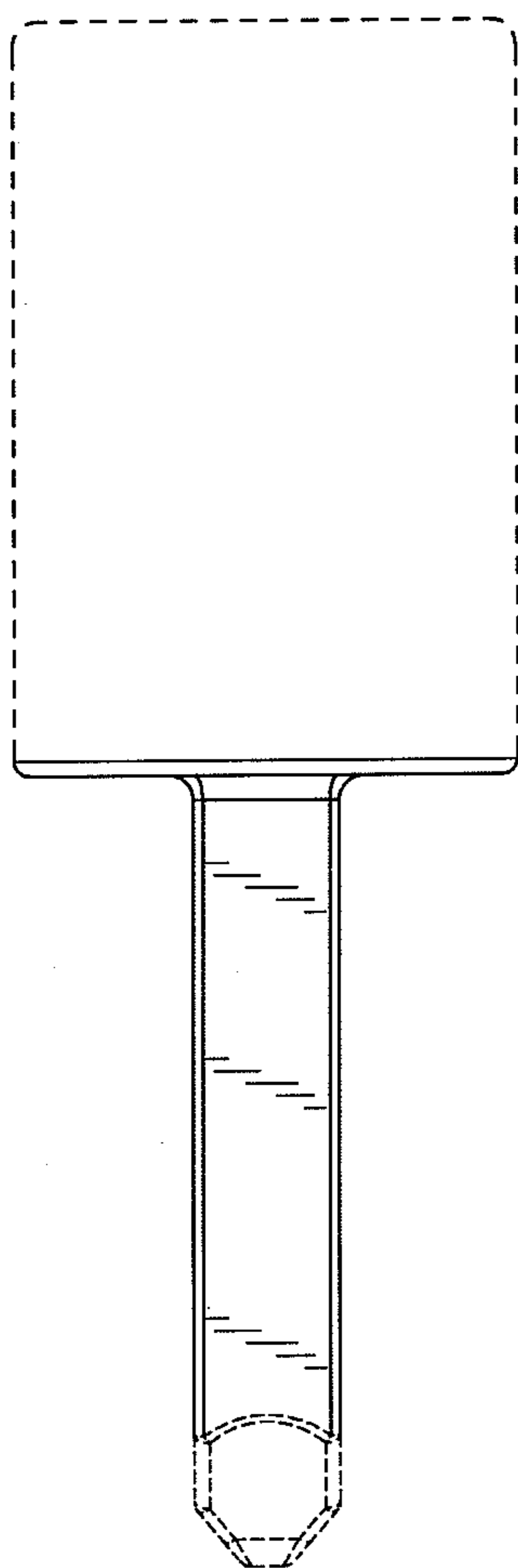


FIG. 6

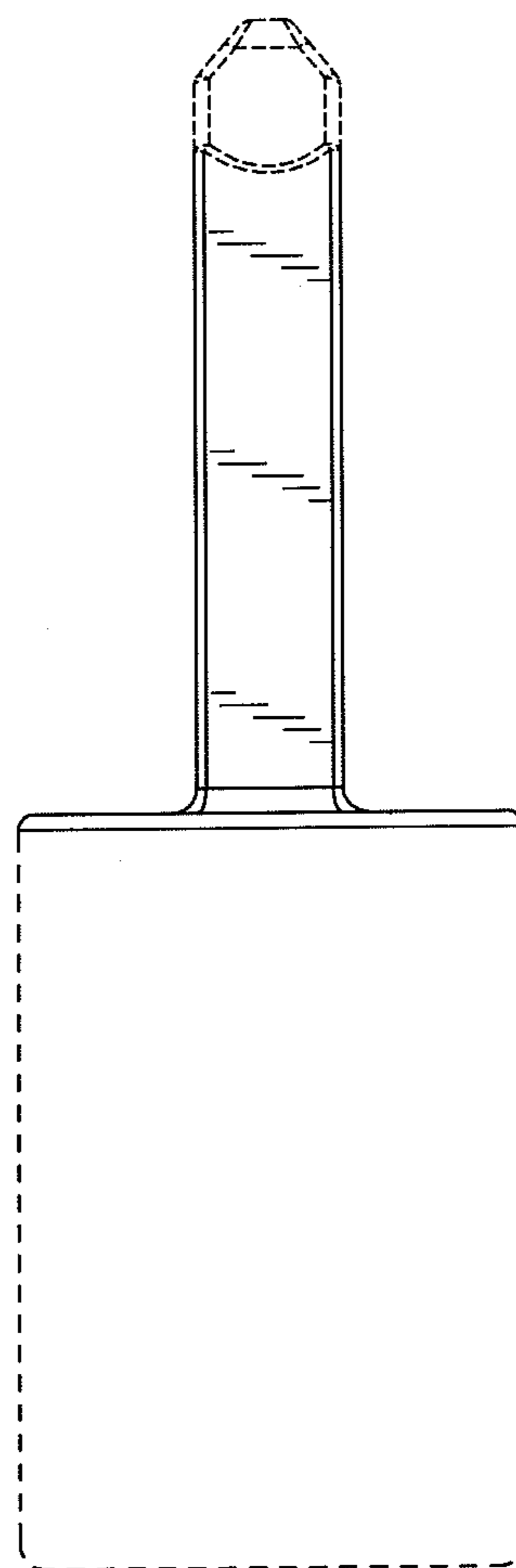


FIG. 7