

US00D699542S

(12) **United States Design Patent**
Rubin et al.

(10) **Patent No.:** **US D699,542 S**
(45) **Date of Patent:** **** Feb. 18, 2014**

- (54) **AUTO EMERGENCY TOOL**
- (75) Inventors: **Bennett S. Rubin**, Pepper Pike, OH (US); **Richard C. Adamany**, Chagrin Falls, OH (US)
- (73) Assignee: **InterDesign, Inc.**, Solon, OH (US)
- (**) Term: **14 Years**
- (21) Appl. No.: **29/411,703**
- (22) Filed: **Jan. 25, 2012**
- (51) **LOC (10) Cl.** **08-05**
- (52) **U.S. Cl.**
USPC **D8/105**; D8/81; D8/98
- (58) **Field of Classification Search**
USPC D8/14, 75, 81, 87, 98, 105; 7/143–147, 7/158, 170; 30/151, 286, 294–295, 329, 30/335–336
See application file for complete search history.

D623,037	S	*	9/2010	Johnson et al.	D8/105
D630,079	S	*	1/2011	Seeds et al.	D8/105
8,505,348	B2	*	8/2013	Colasse	70/395
2007/0182572	A1	*	8/2007	Rubin et al.	340/574

* cited by examiner

Primary Examiner — Susan Bennett Hattan
Assistant Examiner — Janice Hallmark
(74) *Attorney, Agent, or Firm* — D. Peter Hochberg; Sean F. Mellino; Richard A. Wolf

(57) **CLAIM**
The ornamental design for an auto emergency tool, as shown and described.

DESCRIPTION

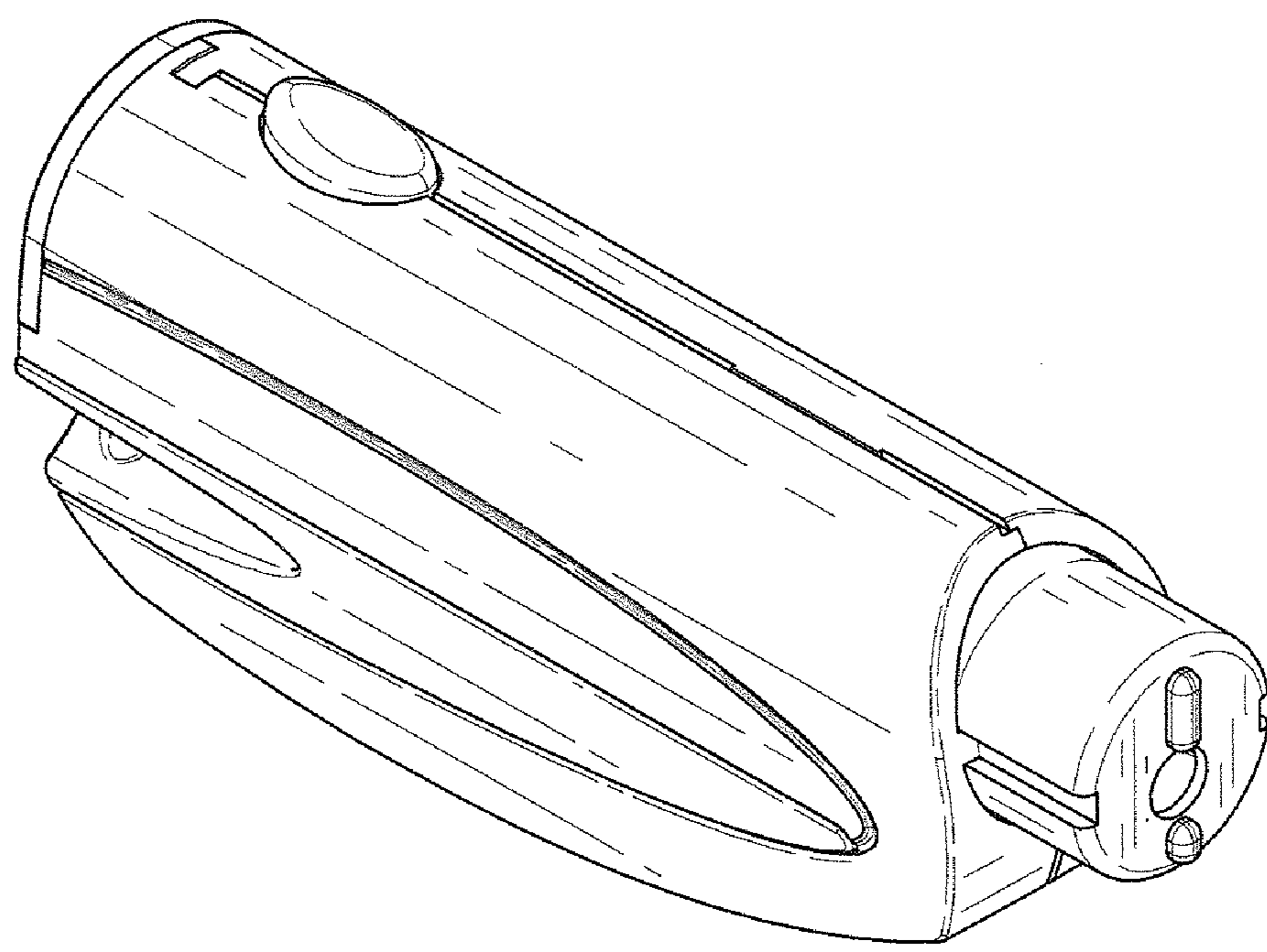
FIG. 1 is a perspective top view of the auto emergency tool taken from an elevation at one end of the device;
FIG. 2 is a perspective bottom view of the auto emergency tool taken from an elevation at the end of the device opposite the end from which the view in FIG. 1 was taken;
FIG. 3 is a side view of the auto emergency tool;
FIG. 4 is a side view of the auto emergency tool taken from the side opposite the side of the device from which the view of FIG. 3 was taken;
FIG. 5 is a top plan view of the auto emergency tool;
FIG. 6 is a bottom plan view of the auto emergency tool;
FIG. 7 is an end view of the auto emergency tool; and,
FIG. 8 is an end view of the auto emergency tool taken from the end opposite the end of the device from which the view of FIG. 7 was taken.
The broken lines in the drawings depict environmental subject matter only and form no part of the claimed design.

1 Claim, 3 Drawing Sheets

(56) **References Cited**

U.S. PATENT DOCUMENTS

4,363,147	A	*	12/1982	Deweese	7/158
4,680,861	A	*	7/1987	Meurer	30/298.4
6,065,169	A	*	5/2000	Cheldin	7/160
D476,215	S	*	6/2003	Chuang	D8/105
6,782,576	B1	*	8/2004	Valencic et al.	7/158
D515,902	S	*	2/2006	Kim	D8/105
D575,182	S	*	8/2008	Rubin et al.	
D595,105	S	*	6/2009	White	D8/105
7,557,720	B2	*	7/2009	Rubin et al.	
D603,240	S	*	11/2009	Kunzendorf	D8/105



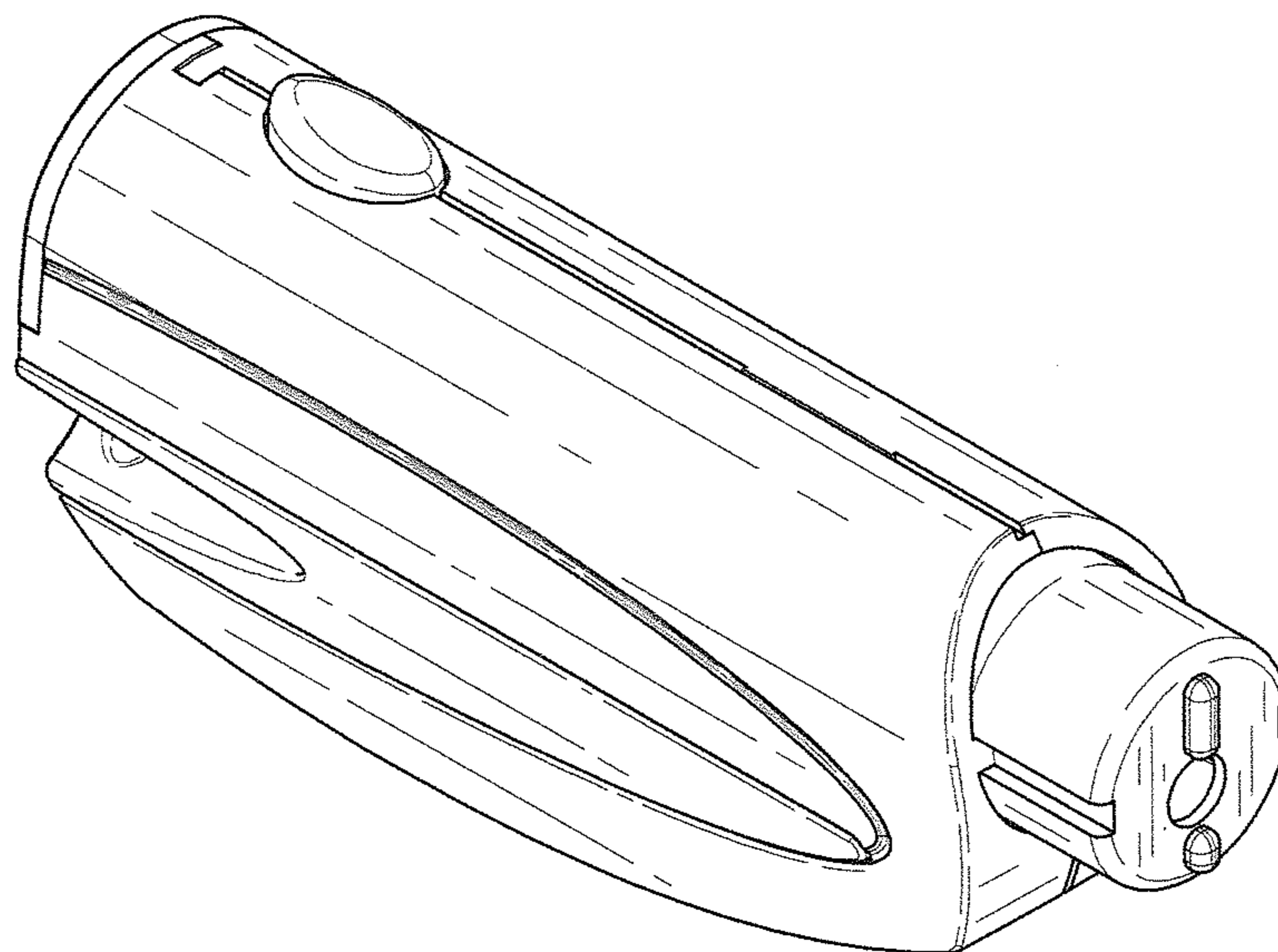


FIG-1

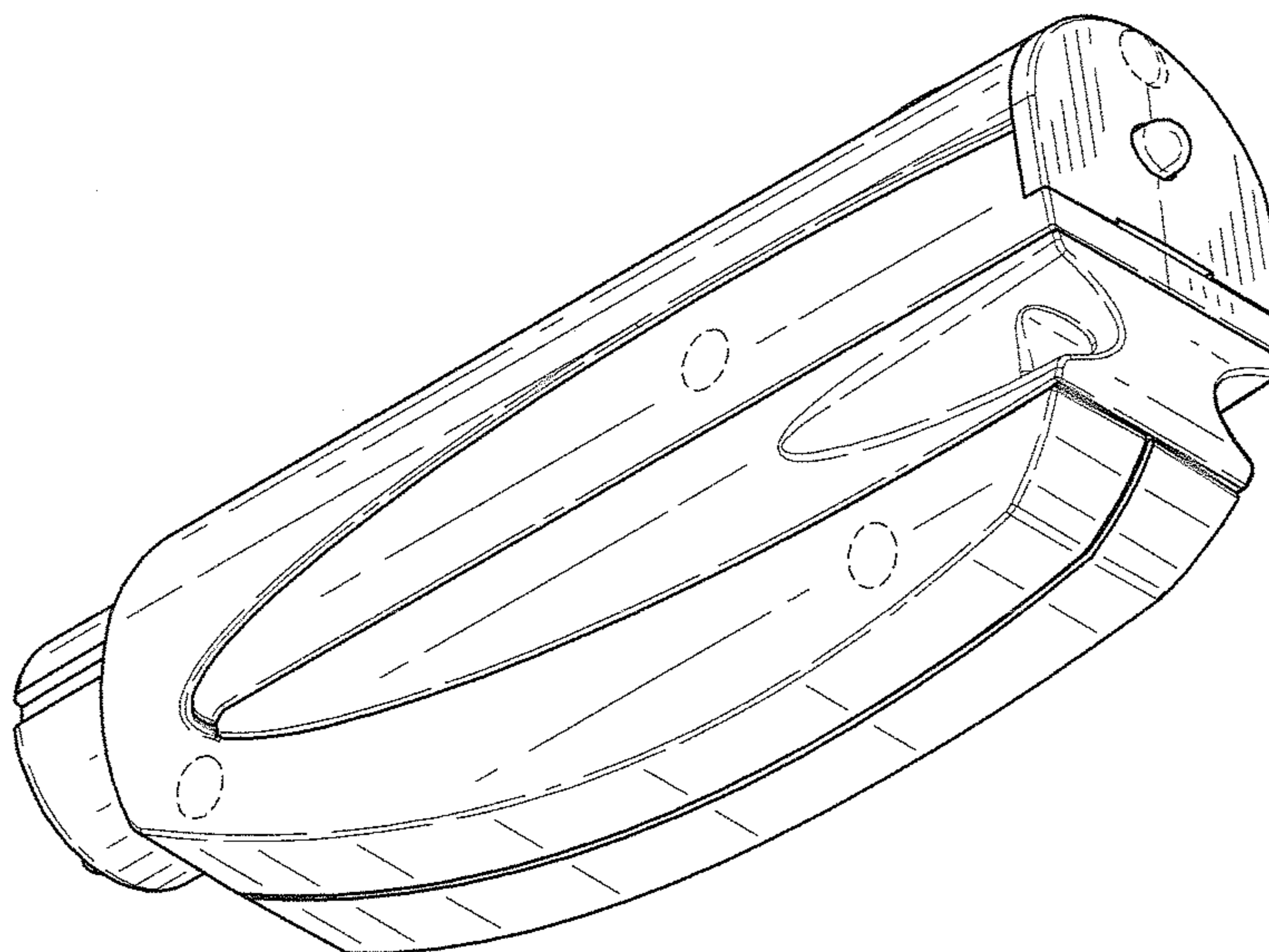


FIG-2

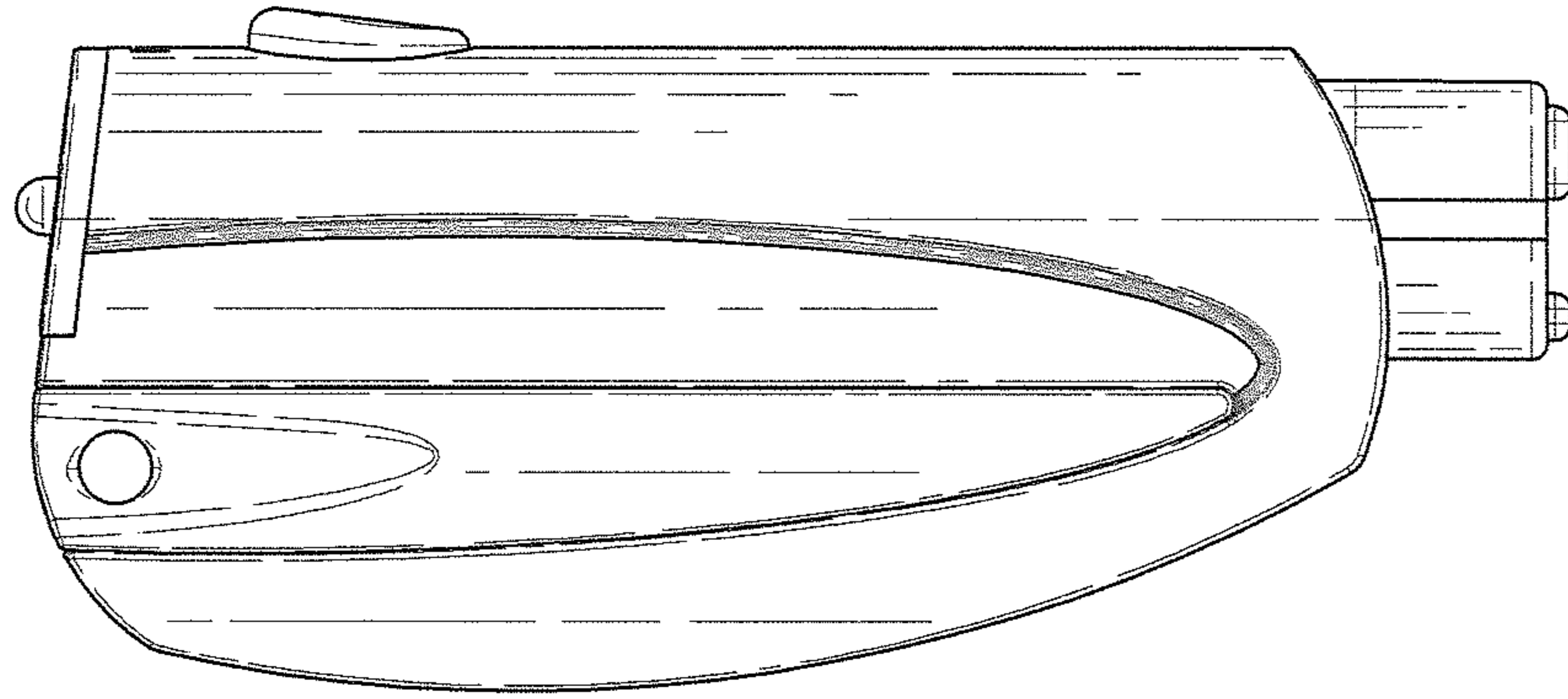


FIG-3

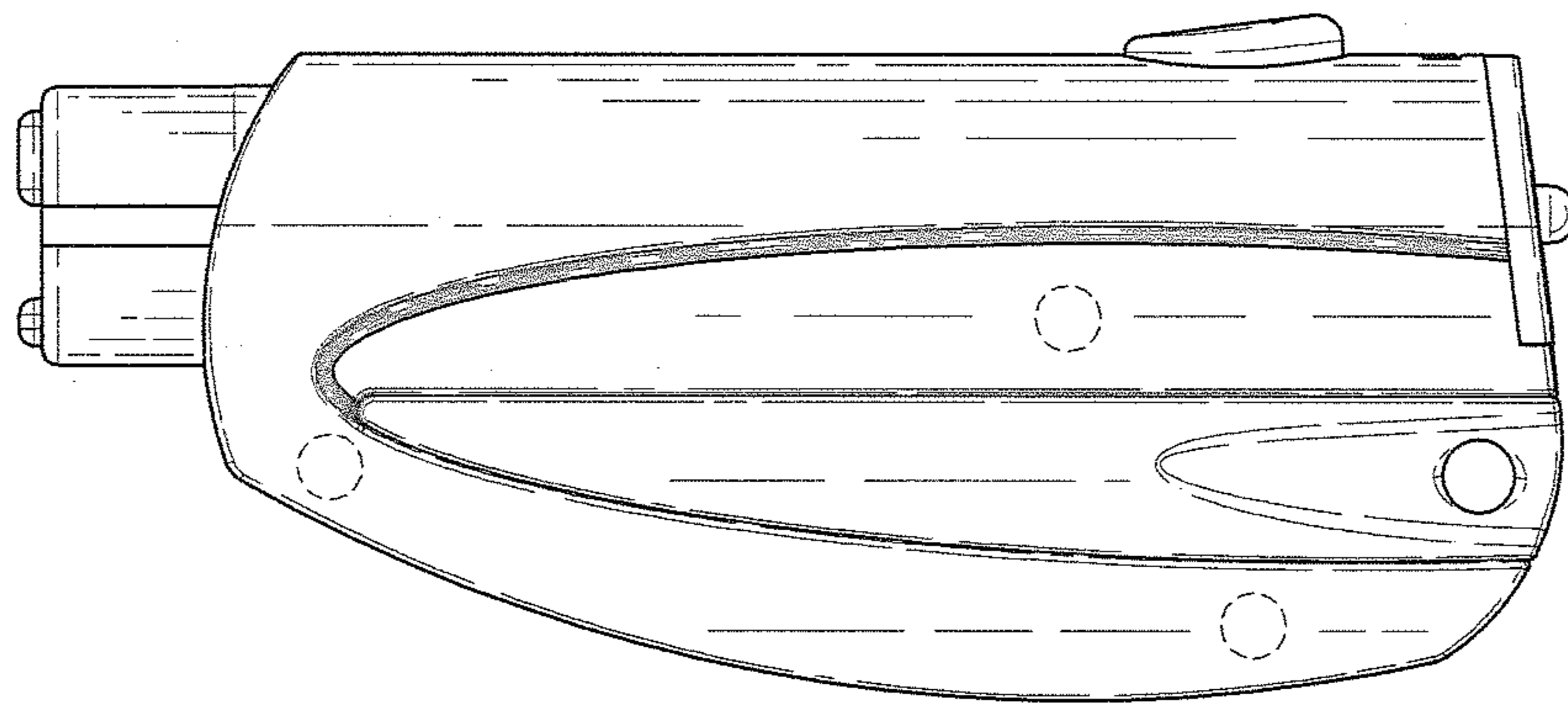


FIG-4

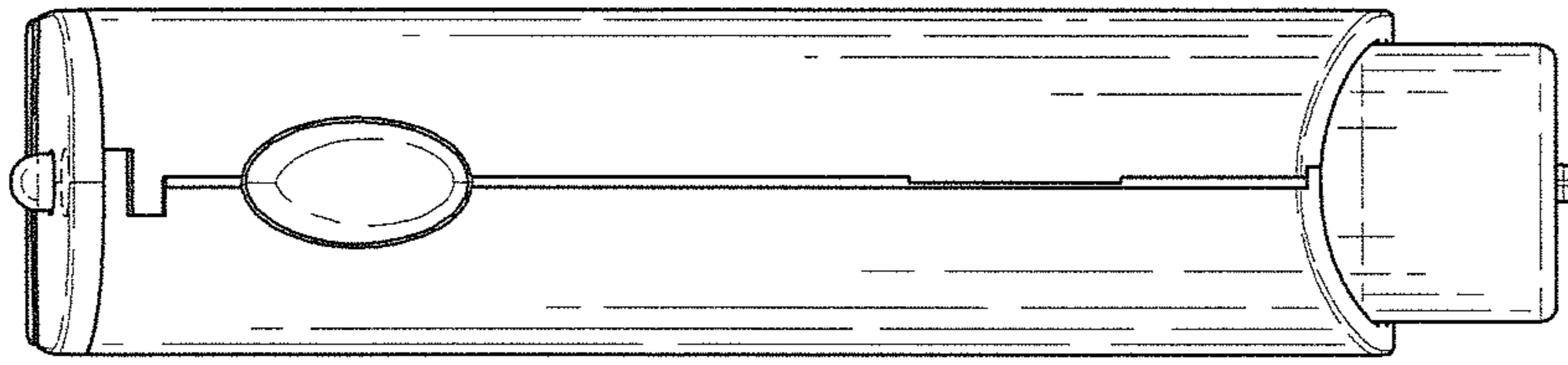


FIG-5

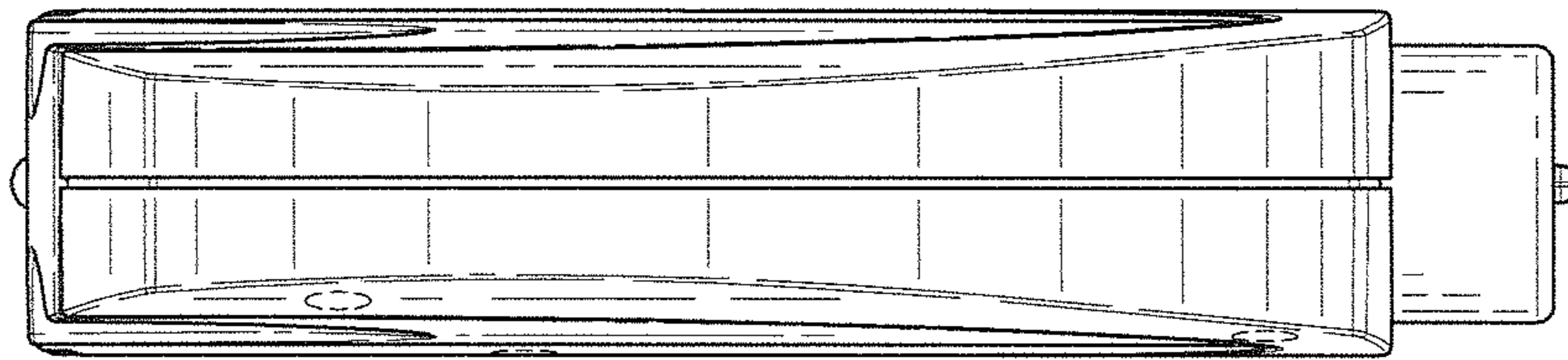


FIG-6

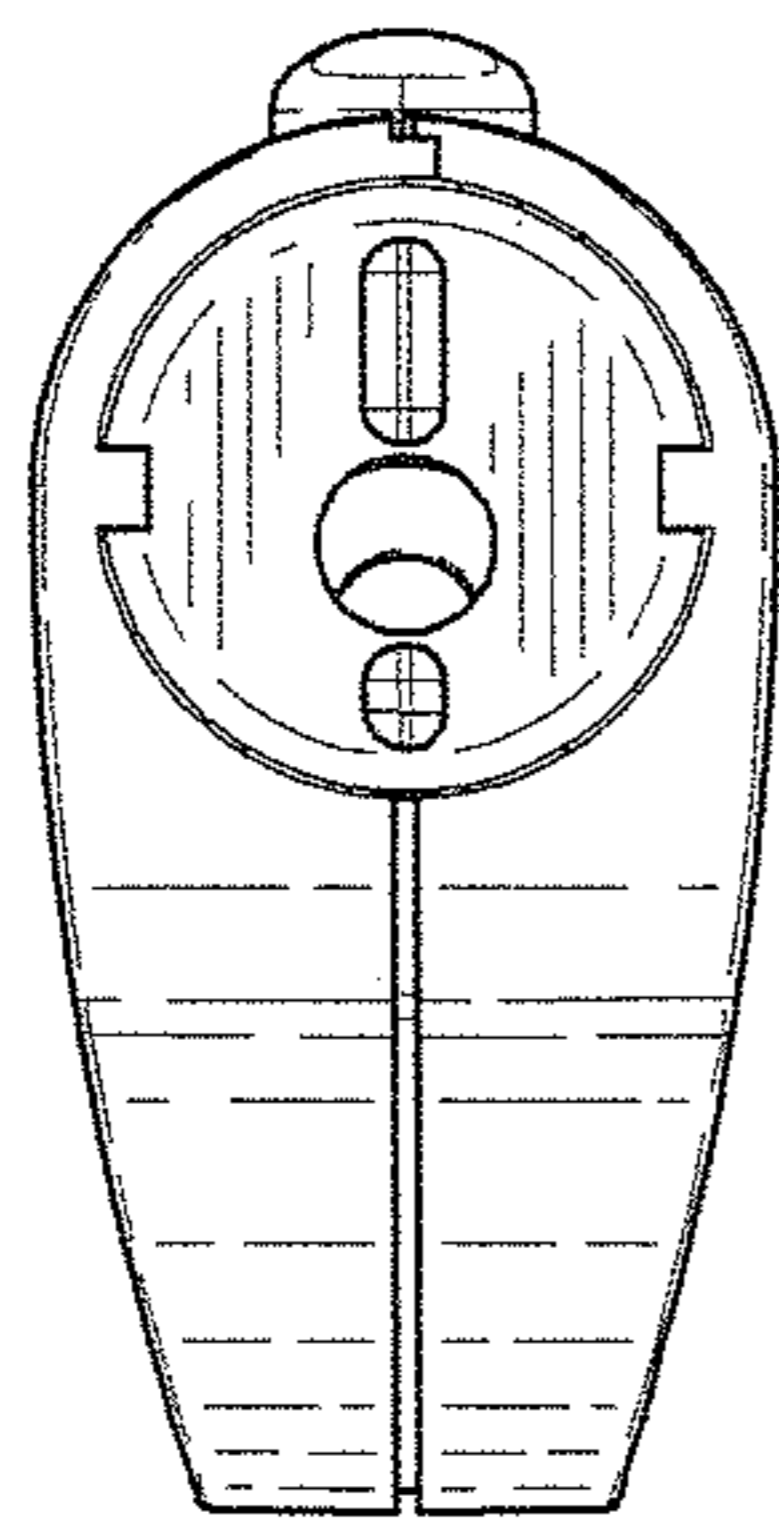


FIG-7

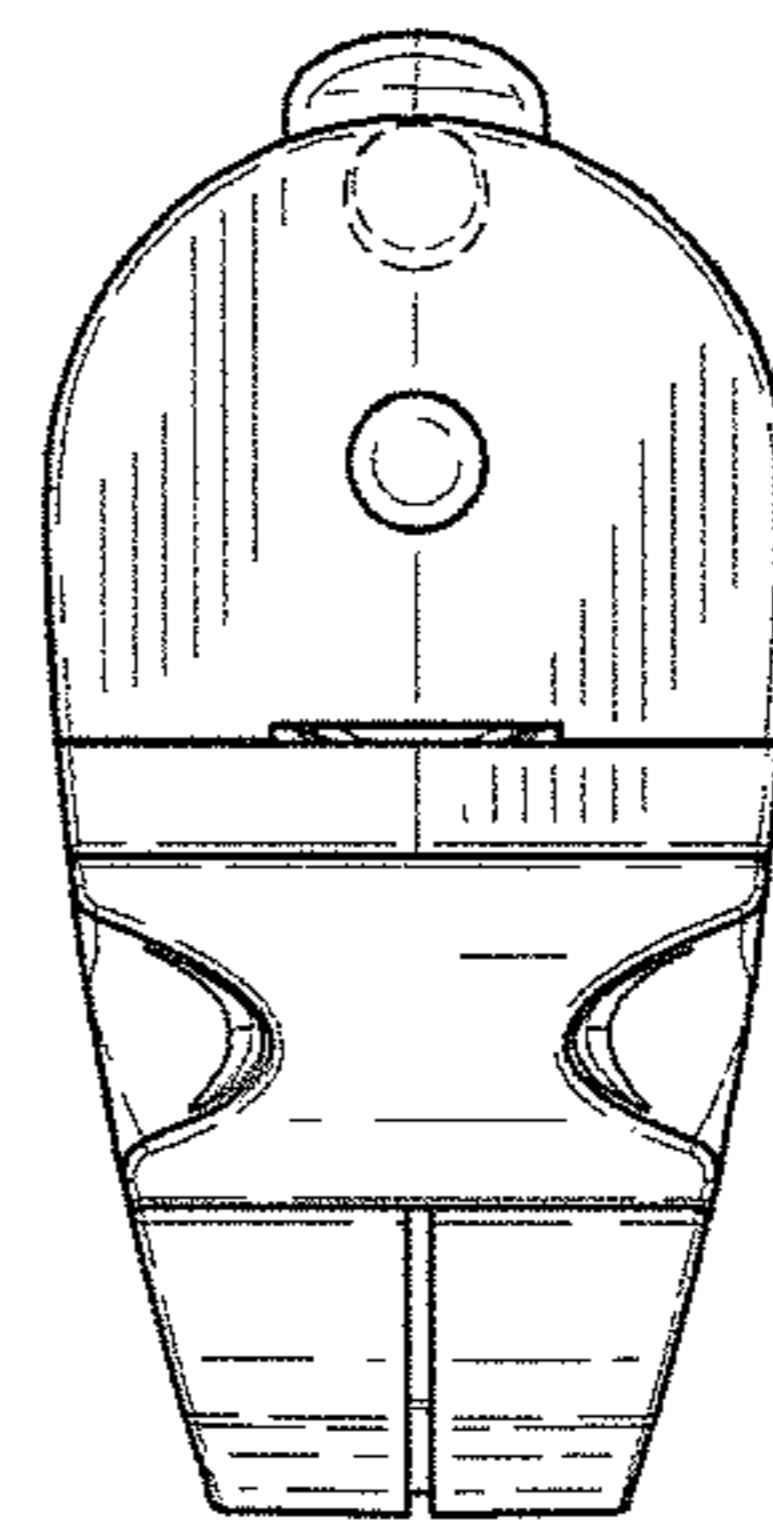


FIG-8