



US00D699539S

(12) **United States Design Patent**
Nieto

(10) **Patent No.:** **US D699,539 S**

(45) **Date of Patent:** **** Feb. 18, 2014**

(54) **TRANSVERSE AND VERTICAL ROTARY VISE**

(71) Applicant: **German Nieto**, Girardot (CO)

(72) Inventor: **German Nieto**, Girardot (CO)

(**) Term: **14 Years**

(21) Appl. No.: **29/442,943**

(22) Filed: **Jun. 17, 2013**

(51) **LOC (10) Cl.** **08-05**

(52) **U.S. Cl.**
USPC **D8/74**

(58) **Field of Classification Search**
USPC D8/71-74, 394-399, 59; 248/62, 63,
248/72, 74.1, 689, 124.2; 81/487; 269/3, 4,
269/6, 143, 165, 240, 243, 246-249, 254 R,
269/147-149; 29/256, 257, 276; 408/103,
408/104-109

See application file for complete search history.

(56) **References Cited**

U.S. PATENT DOCUMENTS

D131,498 S *	3/1942	Vogl	D8/74
D254,835 S *	4/1980	Bass	D8/74
D261,609 S *	11/1981	Roux	D8/74
D286,609 S *	11/1986	Hickman et al.	D8/74
D333,963 S *	3/1993	Goodman	D8/74
D406,036 S *	2/1999	Flachslaender et al.	D8/74
D471,070 S *	3/2003	Howell	D8/72

D473,441 S *	4/2003	Cross	D8/74
D484,018 S *	12/2003	Boyer et al.	D8/74
D485,740 S *	1/2004	Varzino et al.	D8/74
7,066,457 B2 *	6/2006	Gerritsen et al.	269/6
7,293,765 B2 *	11/2007	Hooper	269/246
D680,843 S *	4/2013	Onello et al.	D8/74

* cited by examiner

Primary Examiner — David Muller

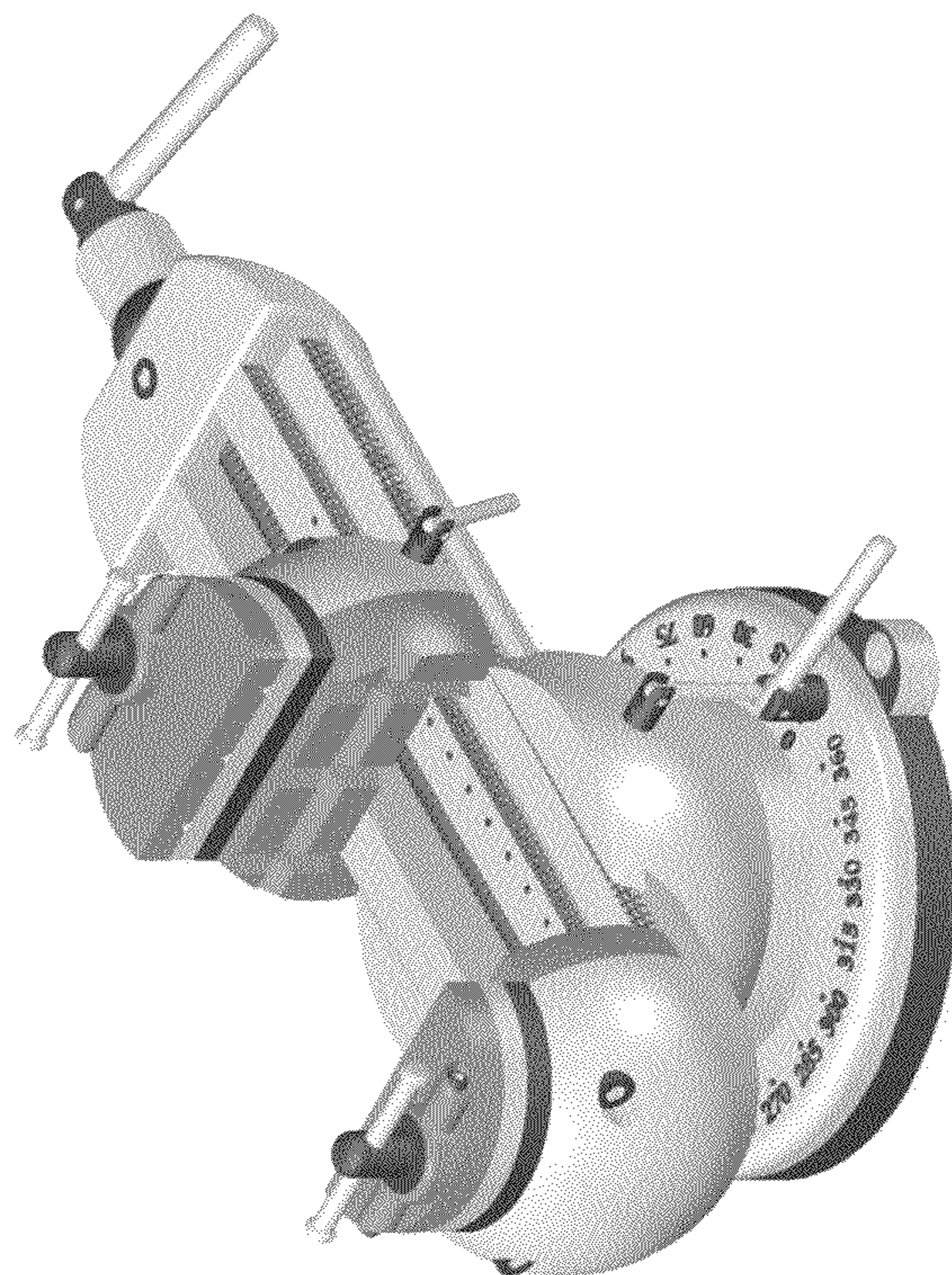
(57) **CLAIM**

The ornamental design for a “transverse and vertical rotary vise”, as shown and described.

DESCRIPTION

FIG. 1 is a top, front and right side perspective view of a “transverse and vertical rotary vise”, showing my new design;
 FIG. 2 is a front elevational view thereof;
 FIG. 3 is a rear elevational view thereof;
 FIG. 4 is a right side elevational view thereof;
 FIG. 5 is a left side elevational view thereof;
 FIG. 6 is a top plan view thereof;
 FIG. 7 is a bottom plan view thereof;
 FIG. 8 is a top, front and right side perspective view of a “transverse and vertical rotary vise”, showing my new design in an open position;
 FIG. 9 is a front elevational view thereof;
 FIG. 10 is a rear elevational view thereof;
 FIG. 11 is a right side elevational view thereof; and,
 FIG. 12 is an enlarged right side perspective view thereof.

1 Claim, 12 Drawing Sheets



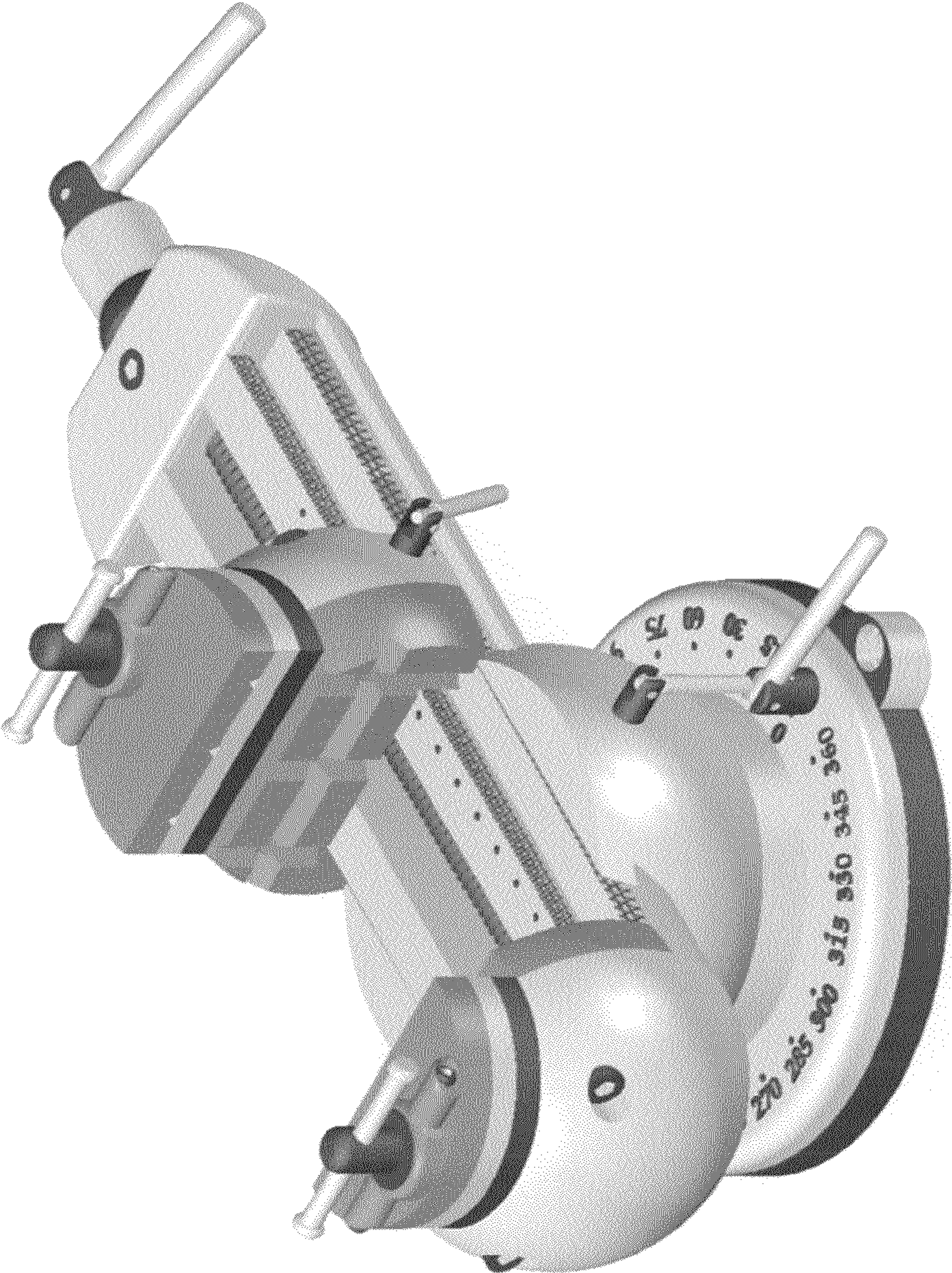


FIGURE 1

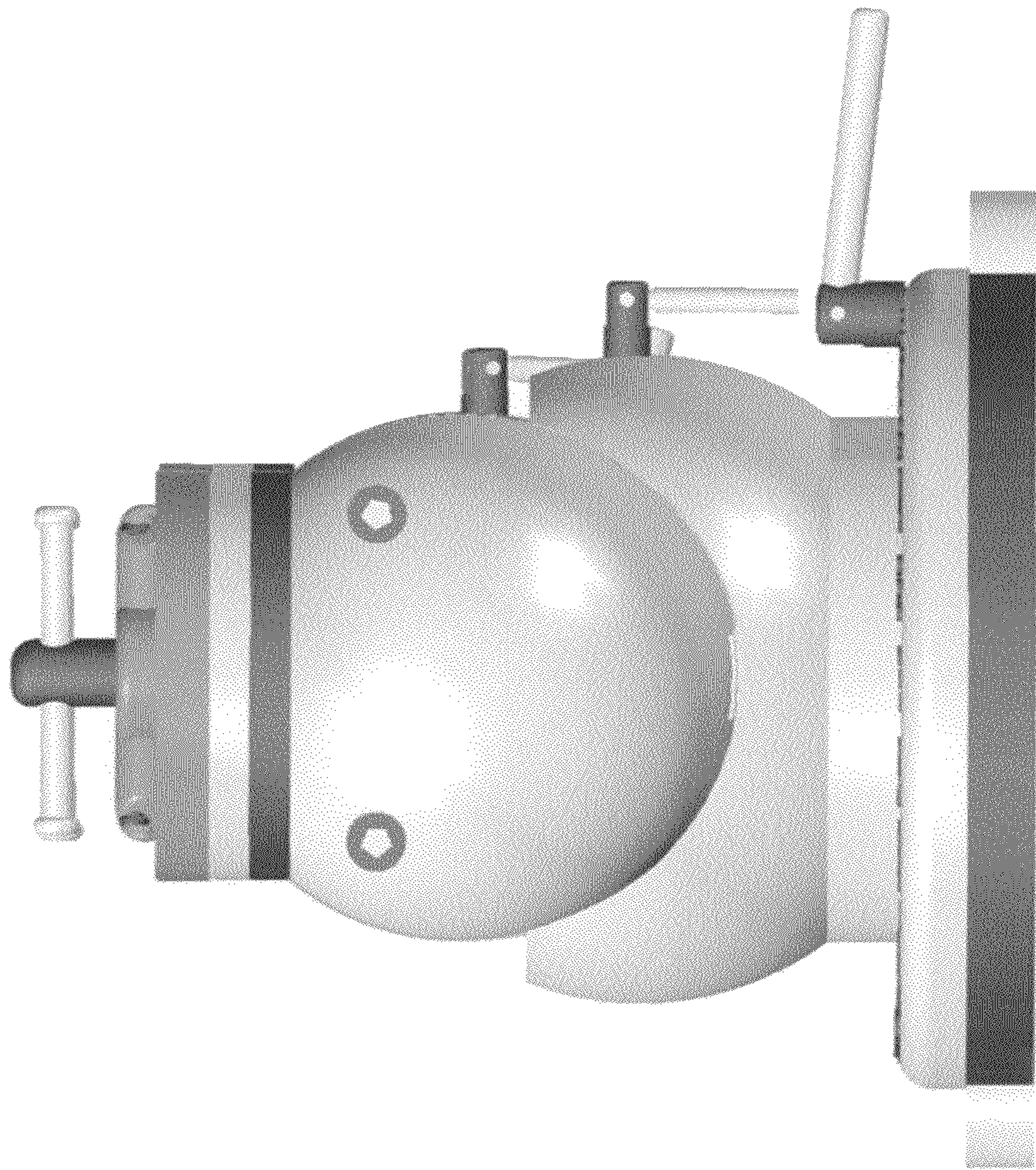


FIGURE 2

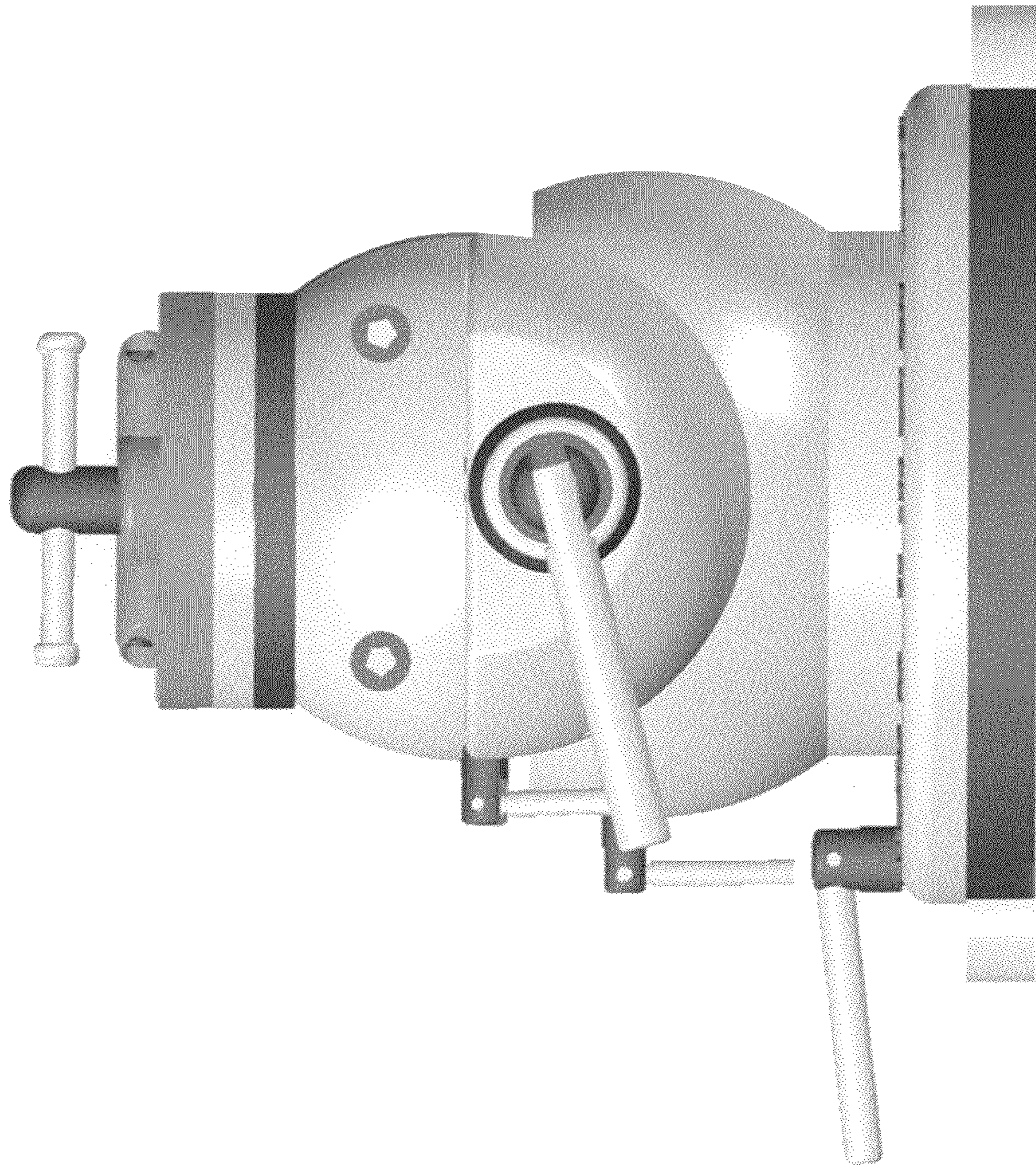


FIGURE 3

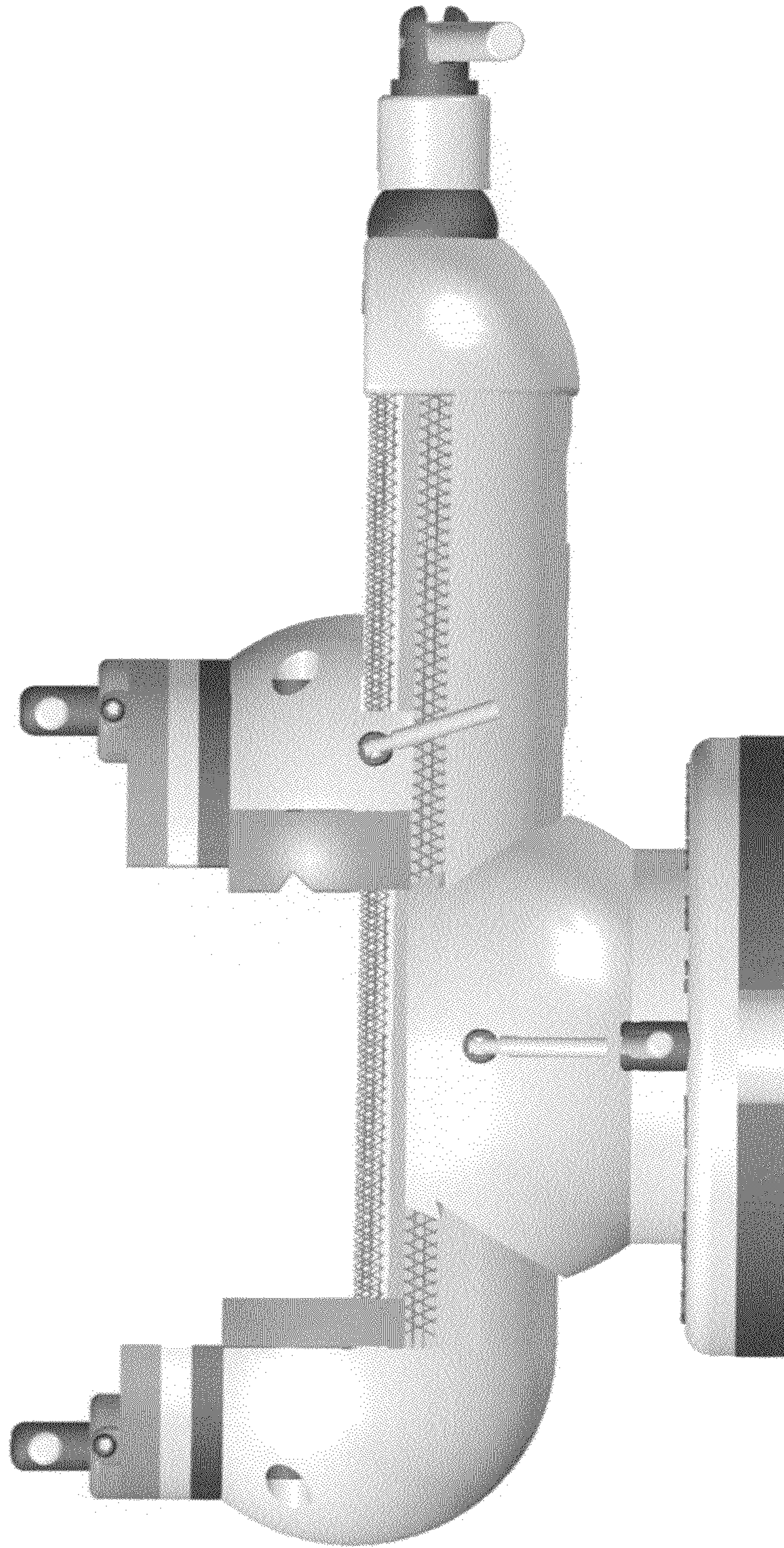


FIGURE 4

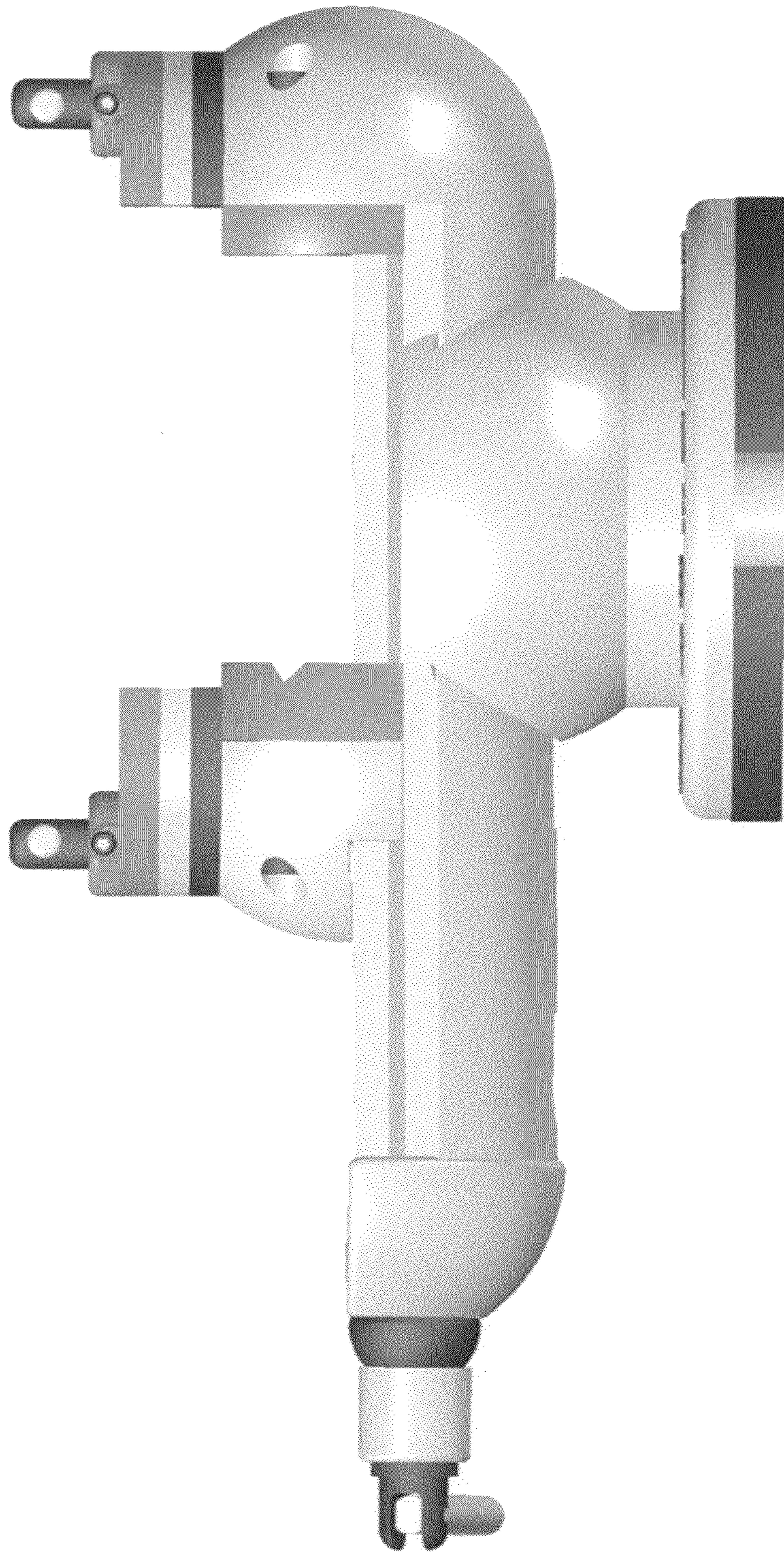


FIGURE 5

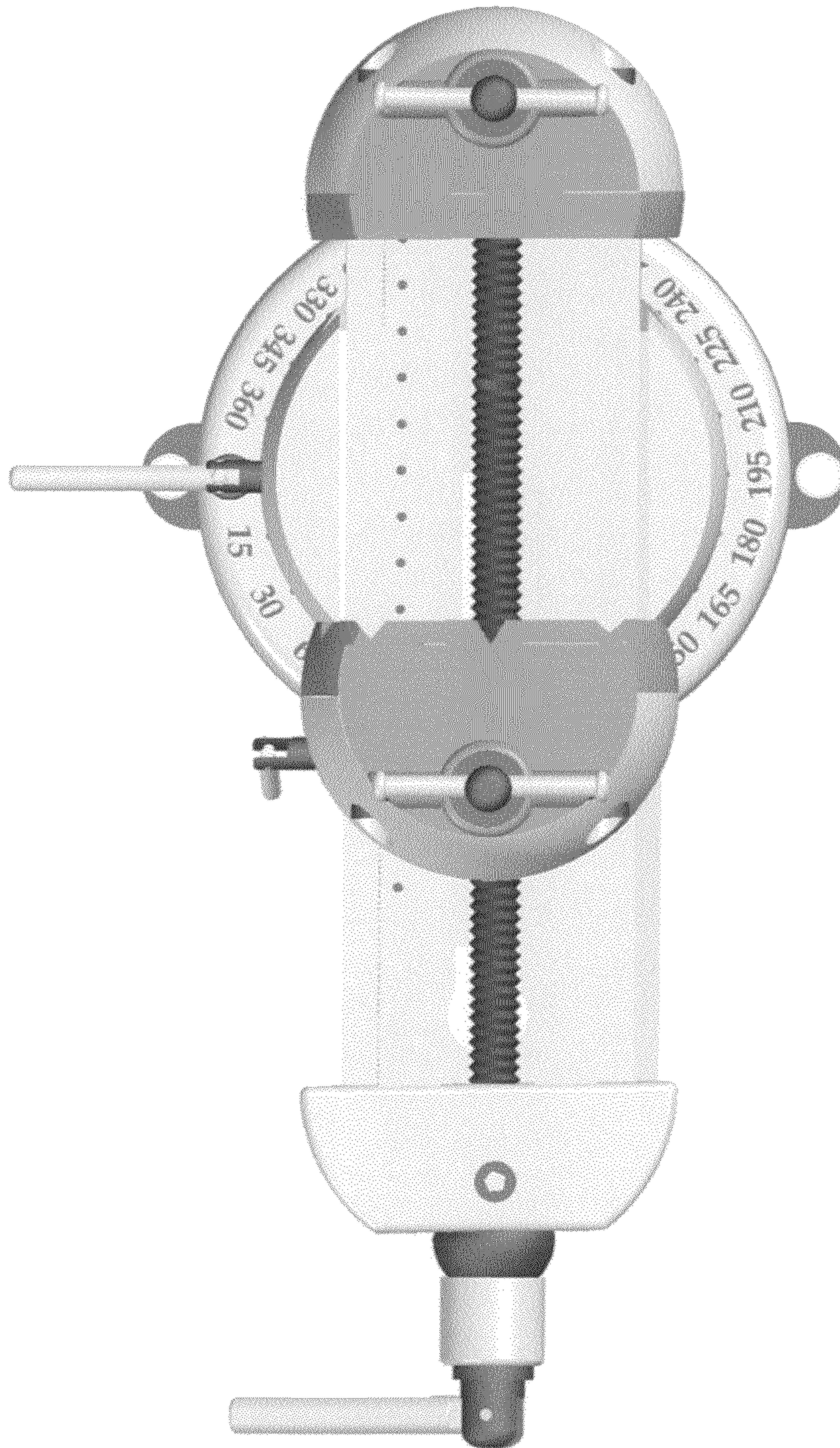


FIGURE 6

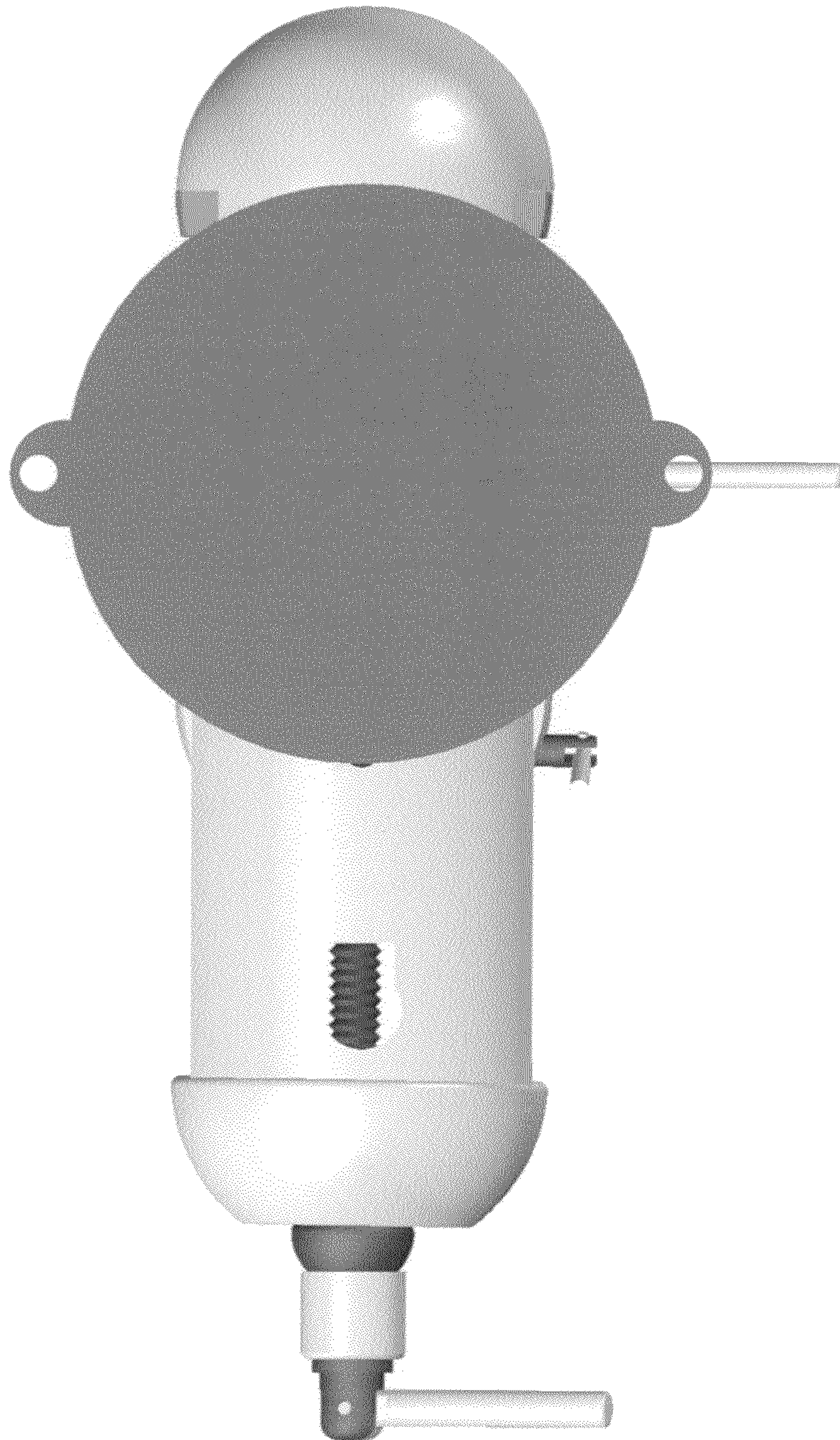


FIGURE 7

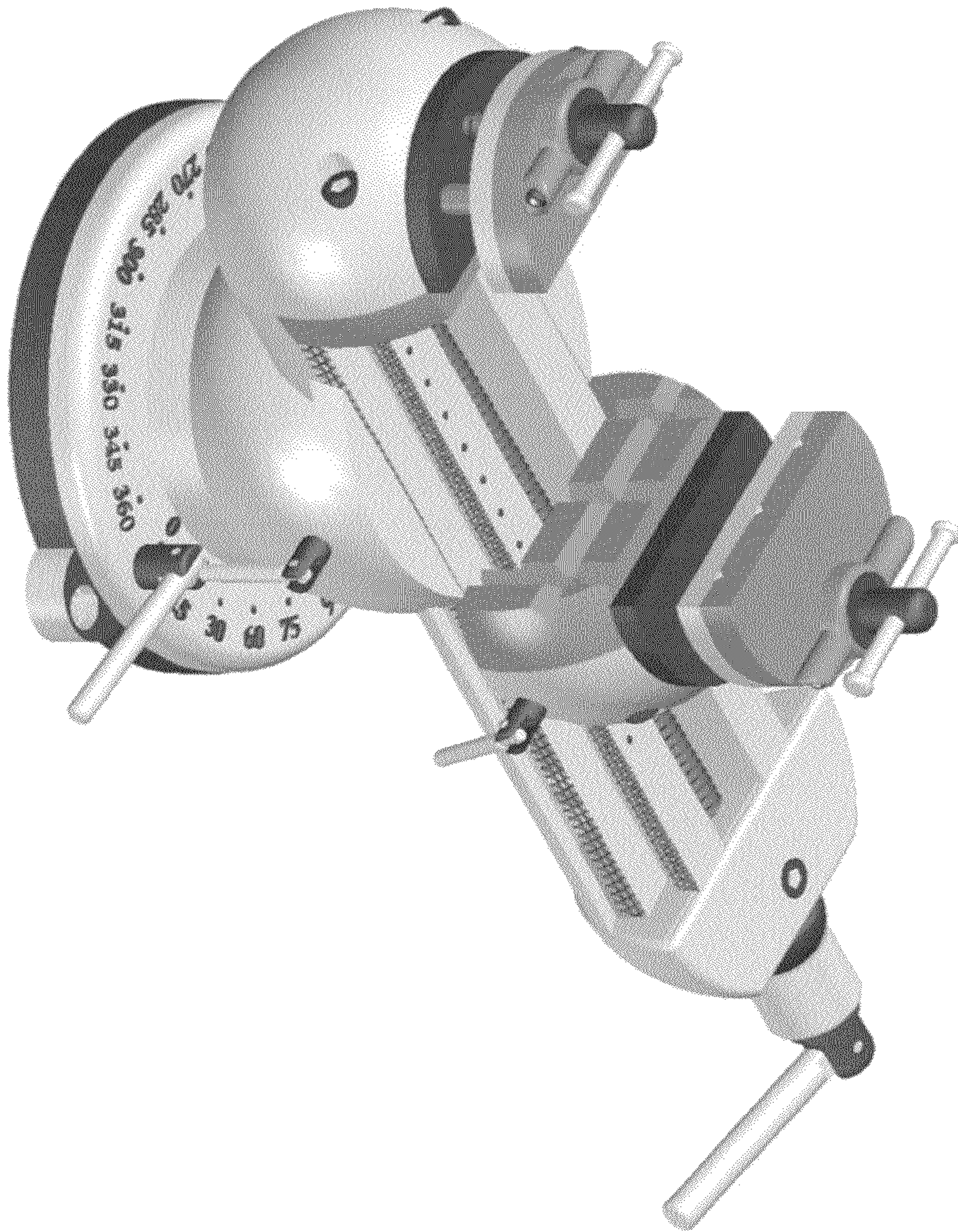


FIGURE 8

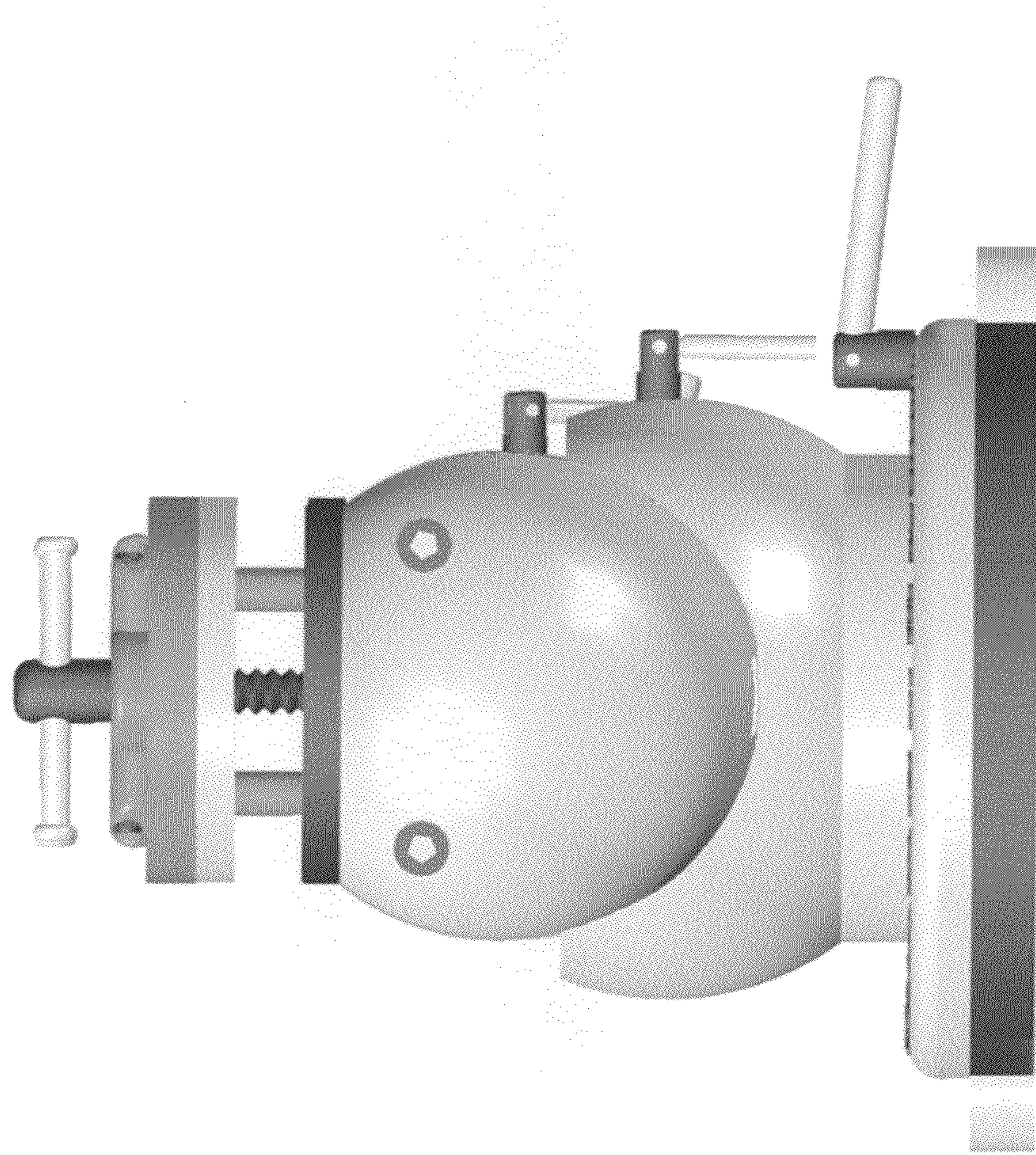


FIGURE 9

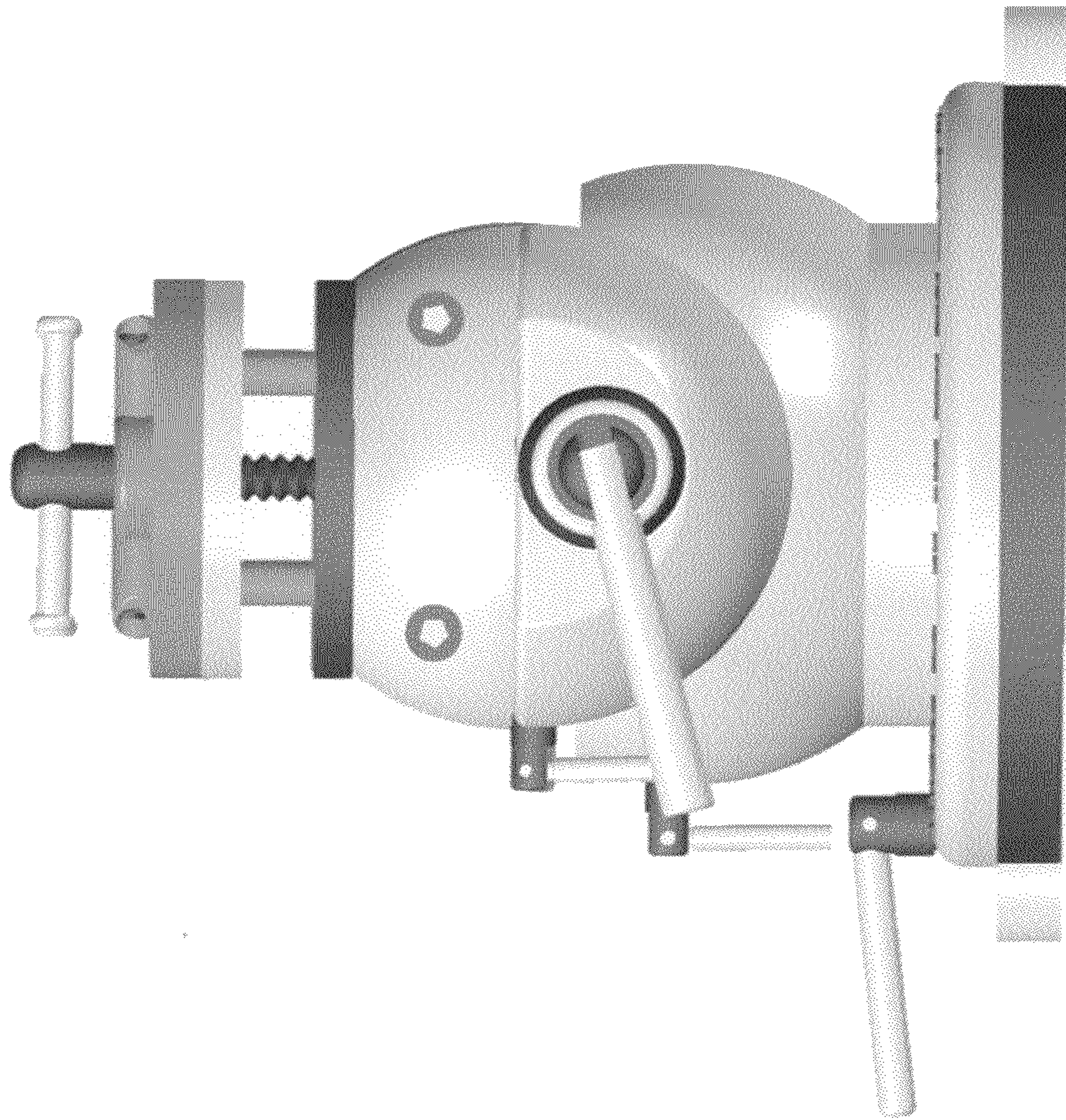


FIGURE 10

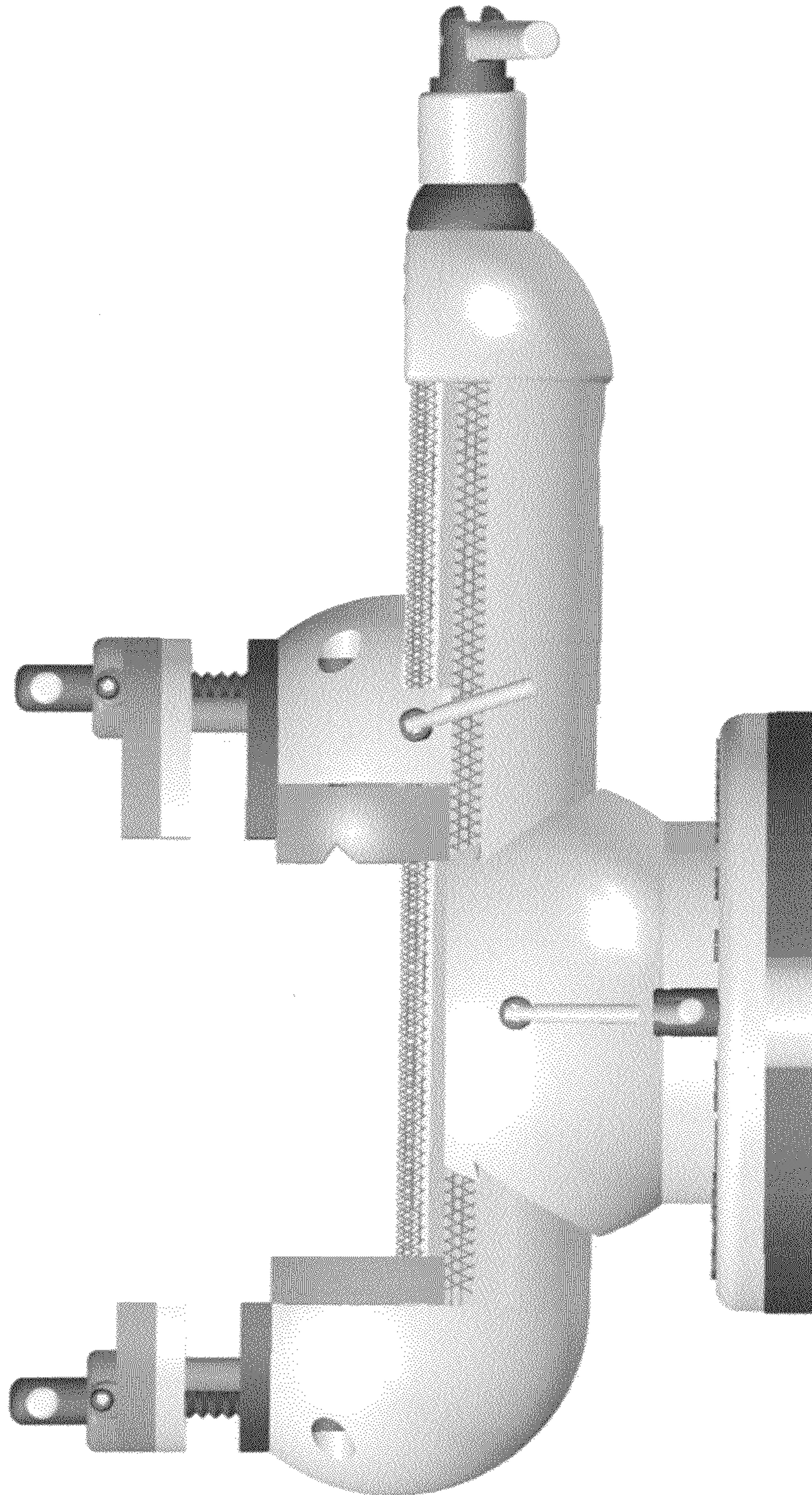


FIGURE 11

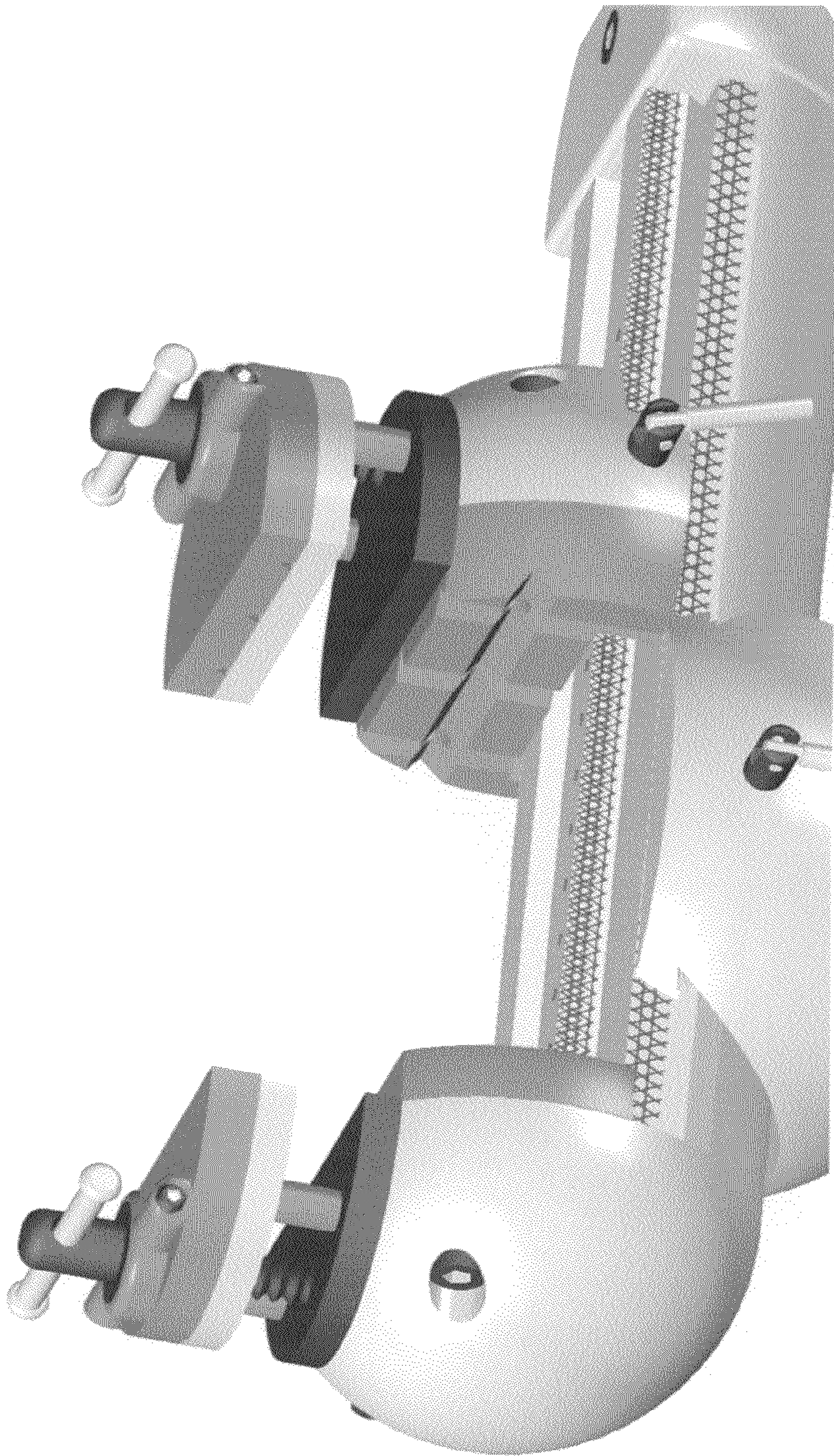


FIGURE 12