



US00D699537S

(12) **United States Design Patent**
Miller

(10) **Patent No.:** **US D699,537 S**

(45) **Date of Patent:** **** Feb. 18, 2014**

(54) **CLAMP FOR MOUNTING VIBRATORS**

(71) Applicant: **Martin Engineering Company,**
Neponset, IL (US)

(72) Inventor: **Travis J. Miller,** Annawan, IL (US)

(73) Assignee: **Martin Engineering Company,**
Neponset, IL (US)

(**) Term: **14 Years**

(21) Appl. No.: **29/450,000**

(22) Filed: **Mar. 15, 2013**

(51) **LOC (10) Cl.** **08-05**

(52) **U.S. Cl.**
USPC **D8/72**

(58) **Field of Classification Search**
USPC D8/71-74, 394-399, 59, 356; 248/62,
248/63, 72, 74.1, 689, 124.2; 74/86-88;
366/108-128; 81/487; 269/3, 4, 6, 143,
269/165, 240, 243, 246-249, 254 R,
269/147-149; 29/256, 257, 276; 408/103,
408/104-109

See application file for complete search history.

(56) **References Cited**

U.S. PATENT DOCUMENTS

3,929,642 A * 12/1975 Ennis et al. 210/113
4,435,083 A * 3/1984 Matson 366/114
4,463,602 A * 8/1984 Stoddard et al. 366/108

4,837,899 A * 6/1989 Young 24/16 R
5,433,523 A * 7/1995 Grau 366/124
D371,508 S * 7/1996 Sagol D8/396
5,593,143 A * 1/1997 Ferrarin 256/68
D387,652 S * 12/1997 Carlson, Jr. D8/395
6,298,525 B1 * 10/2001 Margo 24/336
6,960,011 B2 * 11/2005 Oswald et al. 366/108
D522,352 S * 6/2006 Van Straaten D8/395
D560,484 S * 1/2008 Smith D8/396
D676,314 S * 2/2013 Cude D8/396

FOREIGN PATENT DOCUMENTS

CN ZL201230459876.4 1/2013

* cited by examiner

Primary Examiner — David Muller

(74) *Attorney, Agent, or Firm* — Thompson Coburn LLP;
Clyde L. Smith

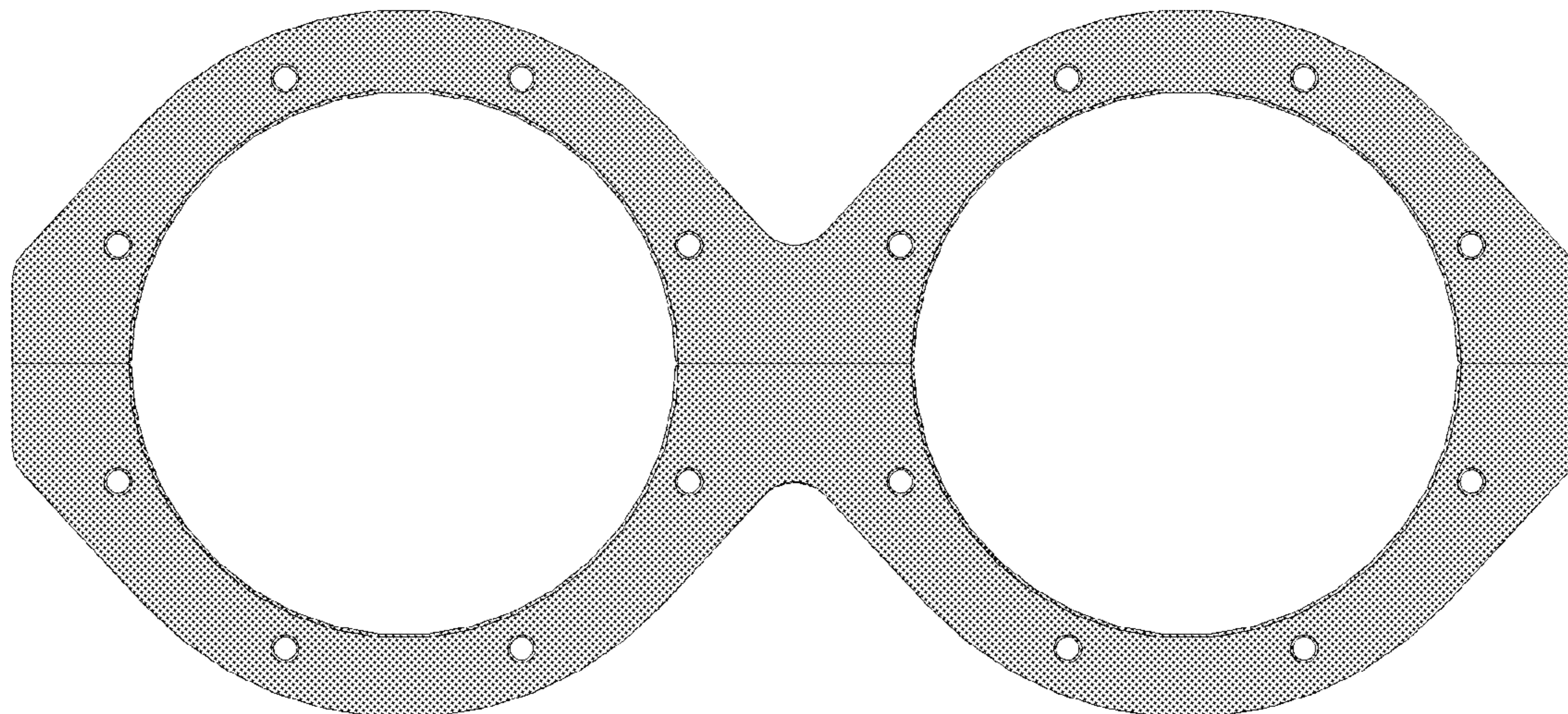
(57) **CLAIM**

The ornamental design for a clamp for mounting vibrators design, as shown and described.

DESCRIPTION

FIG. 1 is a front view of the clamp for mounting vibrators.
FIG. 2 is a rear view thereof;
FIG. 3 is a right side view thereof, the left side being a mirror image;
FIG. 4 is a top view thereof;
FIG. 5 is a bottom view thereof; and,
FIG. 6 is a perspective view thereof from the top, front, and right sides.

1 Claim, 3 Drawing Sheets



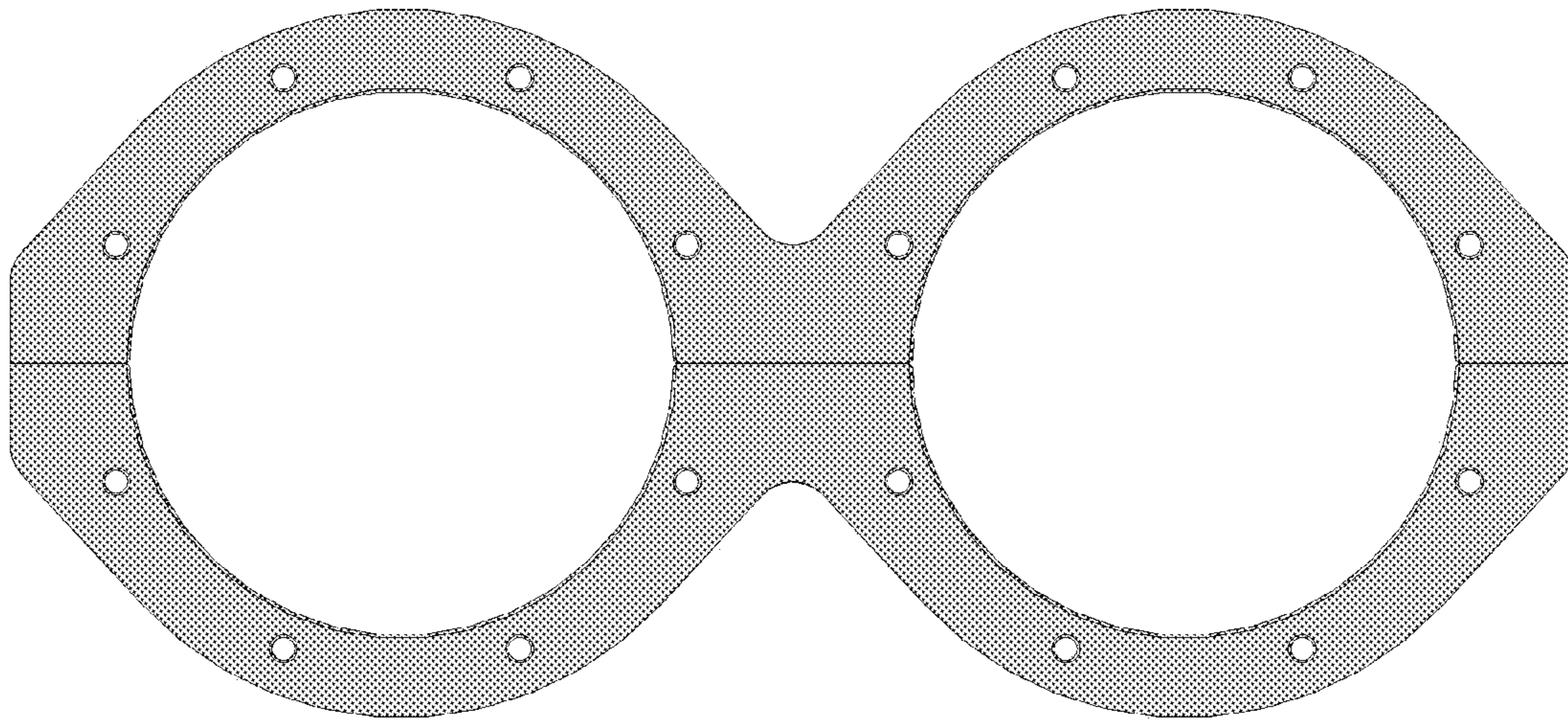


FIG. 1

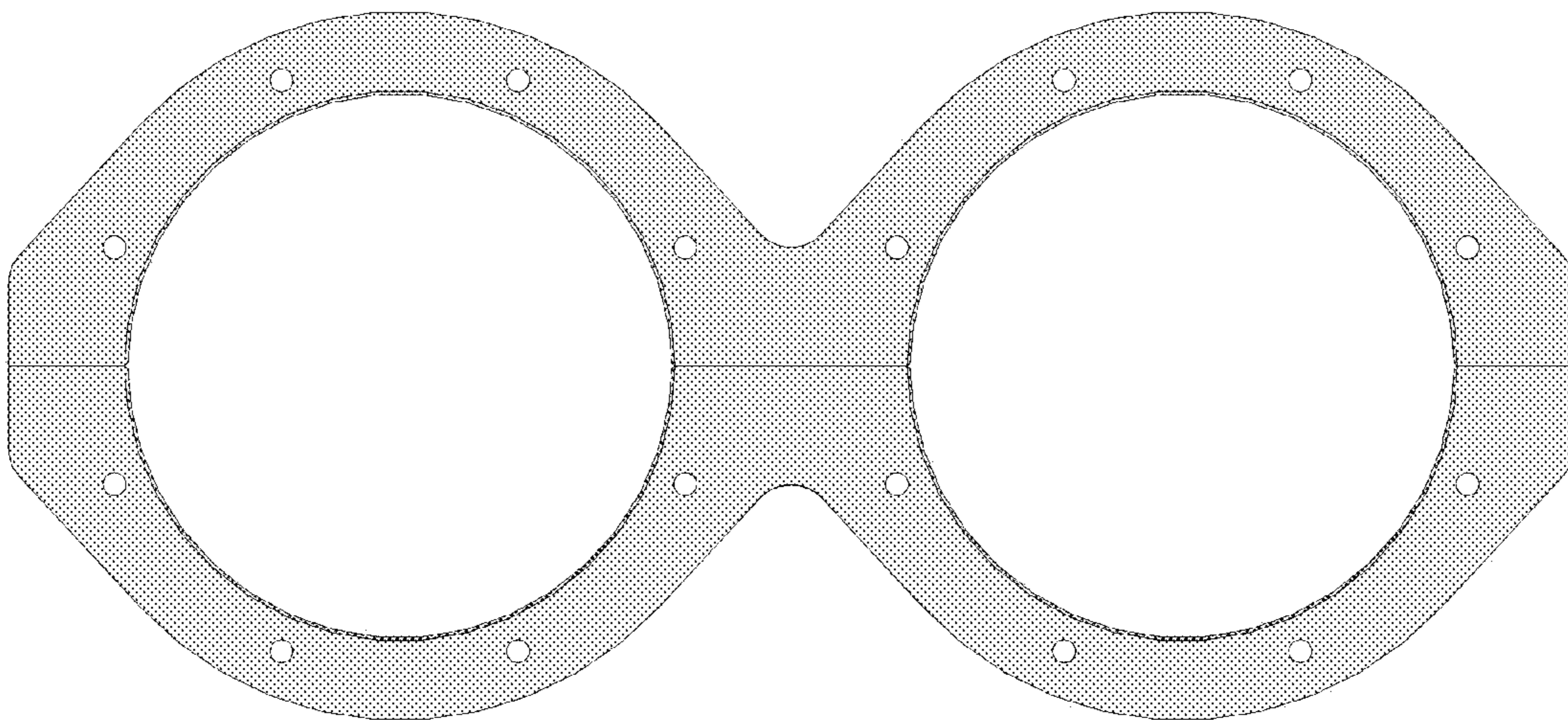


FIG. 2

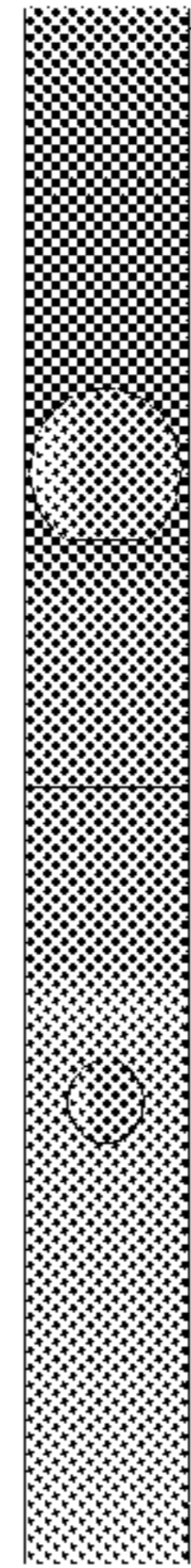


FIG. 3

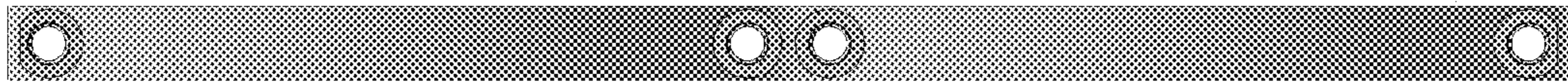


FIG. 4



FIG. 5

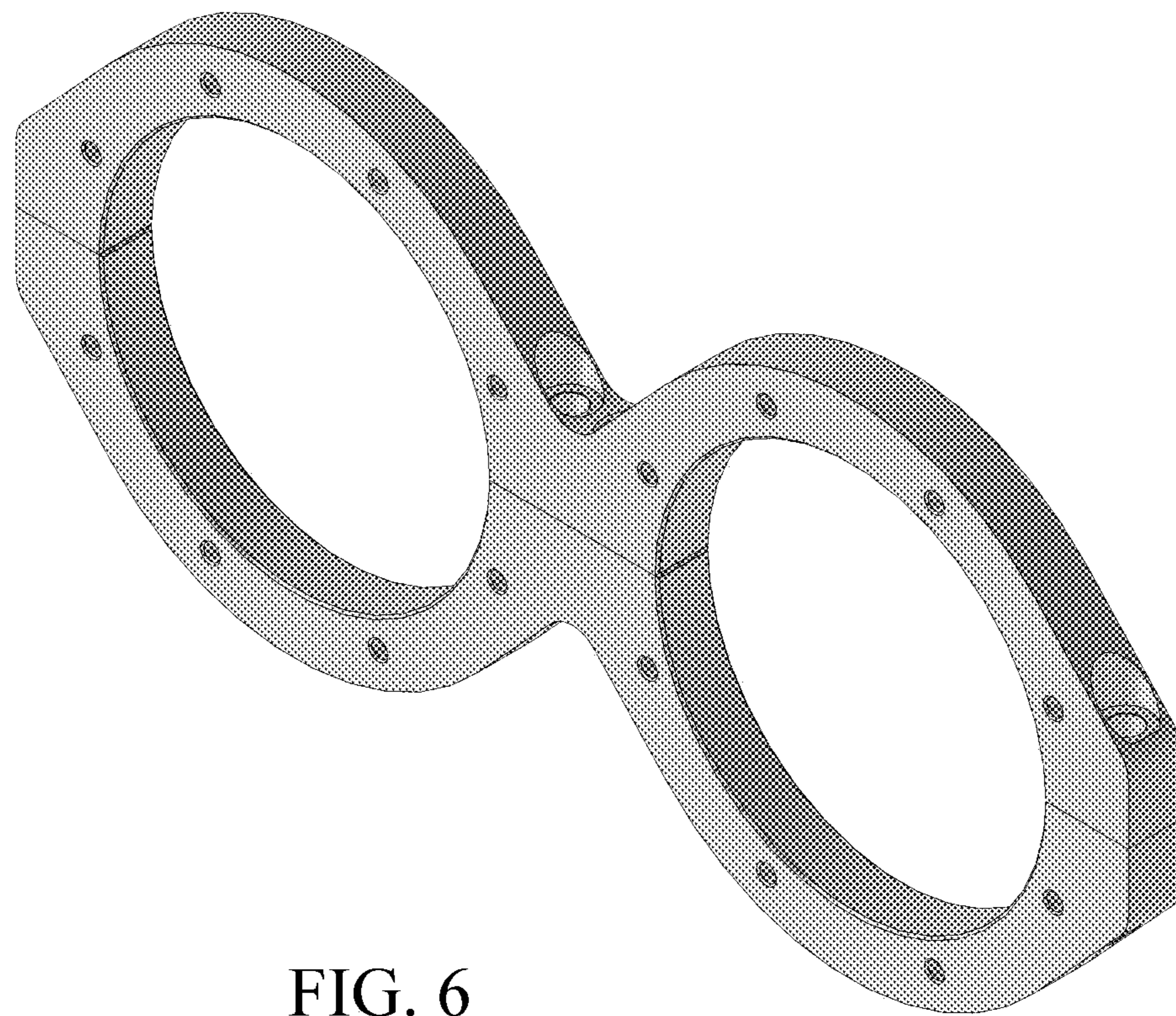


FIG. 6