

US00D699536S

(12) **United States Design Patent**
Waddell

(10) **Patent No.:** **US D699,536 S**

(45) **Date of Patent:** **** Feb. 18, 2014**

- (54) **FABRIC RETAINING TRACK**
- (75) Inventor: **William B. Waddell**, New Bern, NC (US)
- (73) Assignee: **Custom Yacht Interiors & Design, Inc.**, New Bern, NC (US)
- (**) Term: **14 Years**

D405,194	S *	2/1999	Kenkel	D25/119
5,953,873	A	9/1999	Livingston et al.		
5,970,669	A	10/1999	Livingston		
6,015,026	A	1/2000	McGrath		
D447,048	S *	8/2001	Beloff	D8/395
6,283,247	B1	9/2001	McGrath et al.		
6,431,251	B1	8/2002	Yerusalim et al.		
D504,062	S *	4/2005	Gerrits	D8/394

(Continued)

- (21) Appl. No.: **29/423,279**
- (22) Filed: **May 30, 2012**
- (51) **LOC (10) Cl.** **08-05**
- (52) **U.S. Cl.**
USPC **D8/72; D8/395**
- (58) **Field of Classification Search**
USPC D8/71-74, 394-399, 59; 248/62, 63, 248/72, 74.1, 689, 124.2; 81/487; 269/3, 4, 269/6, 143, 165, 240, 243, 246-249, 254 R, 269/147-149; 29/256, 257, 276; 408/103, 408/104-109; D25/119; 24/530, 545, 555; 160/327-329; 52/222
See application file for complete search history.

OTHER PUBLICATIONS

Softwalls, Inc., Gaithersburg, MD; <http://acousticalfabricpanels.softwalls.com/category/square-edge-profiles> and <http://acousticalfabricpanels.softwalls.com/category/radius-edge-profiles>.

Primary Examiner — David Muller
(74) *Attorney, Agent, or Firm* — Ward and Smith, P.A.

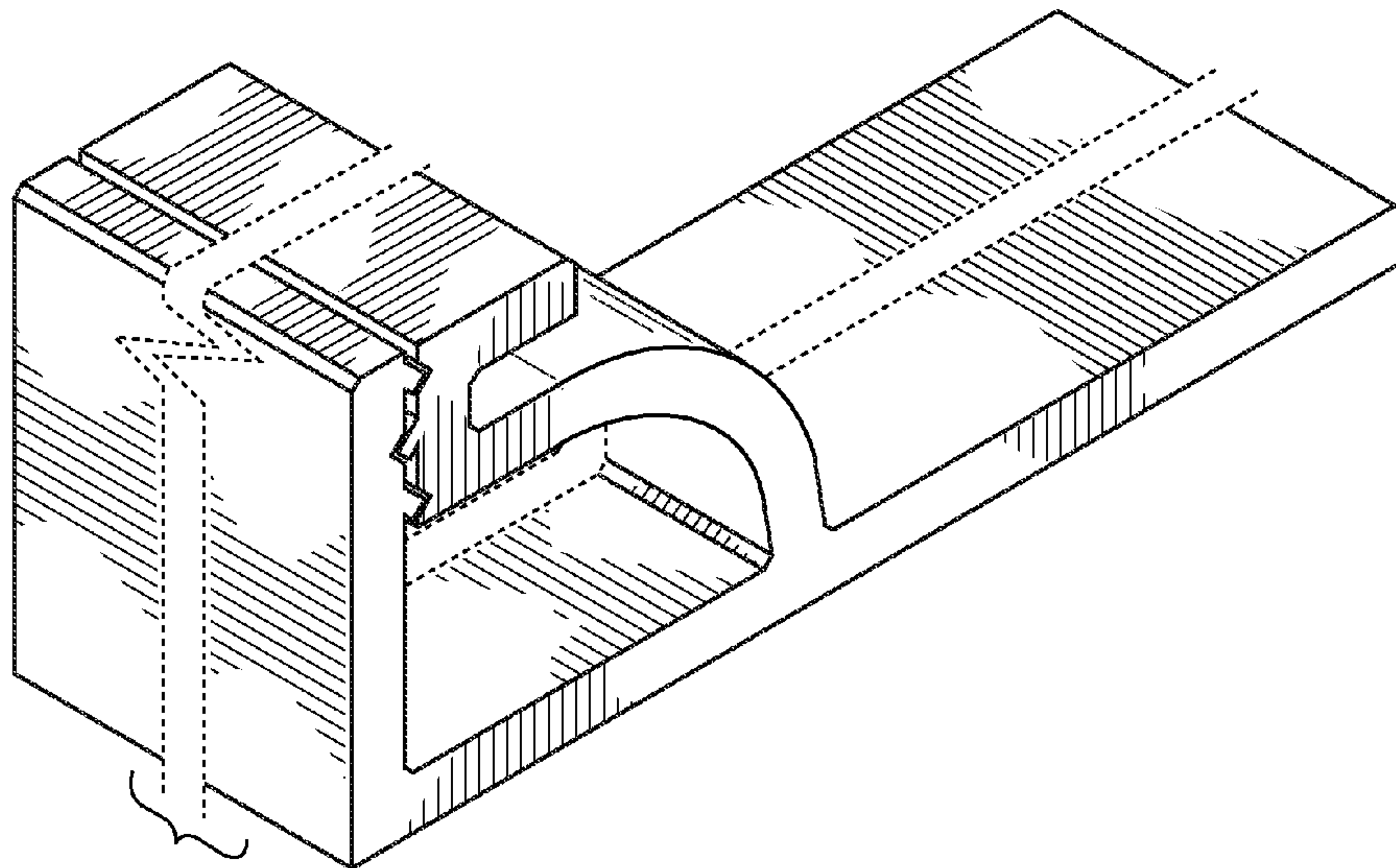
(57) **CLAIM**
The ornamental design for a fabric retaining track, as shown and described.

DESCRIPTION

FIG. 1 is a perspective view of a fabric retaining track showing a new design;
FIG. 2 is a right side view thereof, the left side being a mirror image;
FIG. 3 is a front elevation view thereof;
FIG. 4 is a back elevation view thereof;
FIG. 5 is a top plan view thereof;
FIG. 6 is a bottom plan view thereof; and,
FIG. 7 is a cross-section view taken on line 7-7 of FIG. 2.
A right side portion of the fabric retaining track is shown broken away from a left side portion of the fabric retaining track in FIGS. 1 and 3-7 of the drawings to indicate indeterminate length, it being understood that the fabric retaining track has a uniform shape and appearance through out its length.

- (56) **References Cited**
U.S. PATENT DOCUMENTS
2,143,034 A * 1/1939 Sakier D25/119
4,197,686 A 4/1980 Baslow
4,625,490 A 12/1986 Baslow
4,631,882 A 12/1986 Sease
4,731,960 A 3/1988 Sease
D295,521 S * 5/1988 Mockett D25/119
4,788,806 A 12/1988 Sease
D305,297 S * 1/1990 O'Neill D25/119
4,920,714 A 5/1990 Sease
5,134,822 A * 8/1992 Edlin 52/273
5,214,891 A * 6/1993 Edlin 52/222
5,214,892 A 6/1993 Livingston et al.
D344,424 S * 2/1994 Pate D6/511

1 Claim, 5 Drawing Sheets



US D699,536 S

Page 2

(56)

References Cited

U.S. PATENT DOCUMENTS

D521,367 S * 5/2006 Blanton D8/395
7,146,691 B2 12/2006 Kintzing et al.

D537,329 S * 2/2007 Blanton D8/395
D680,857 S * 4/2013 Rumpel D8/395
D688,122 S * 8/2013 Wasco D8/395

* cited by examiner

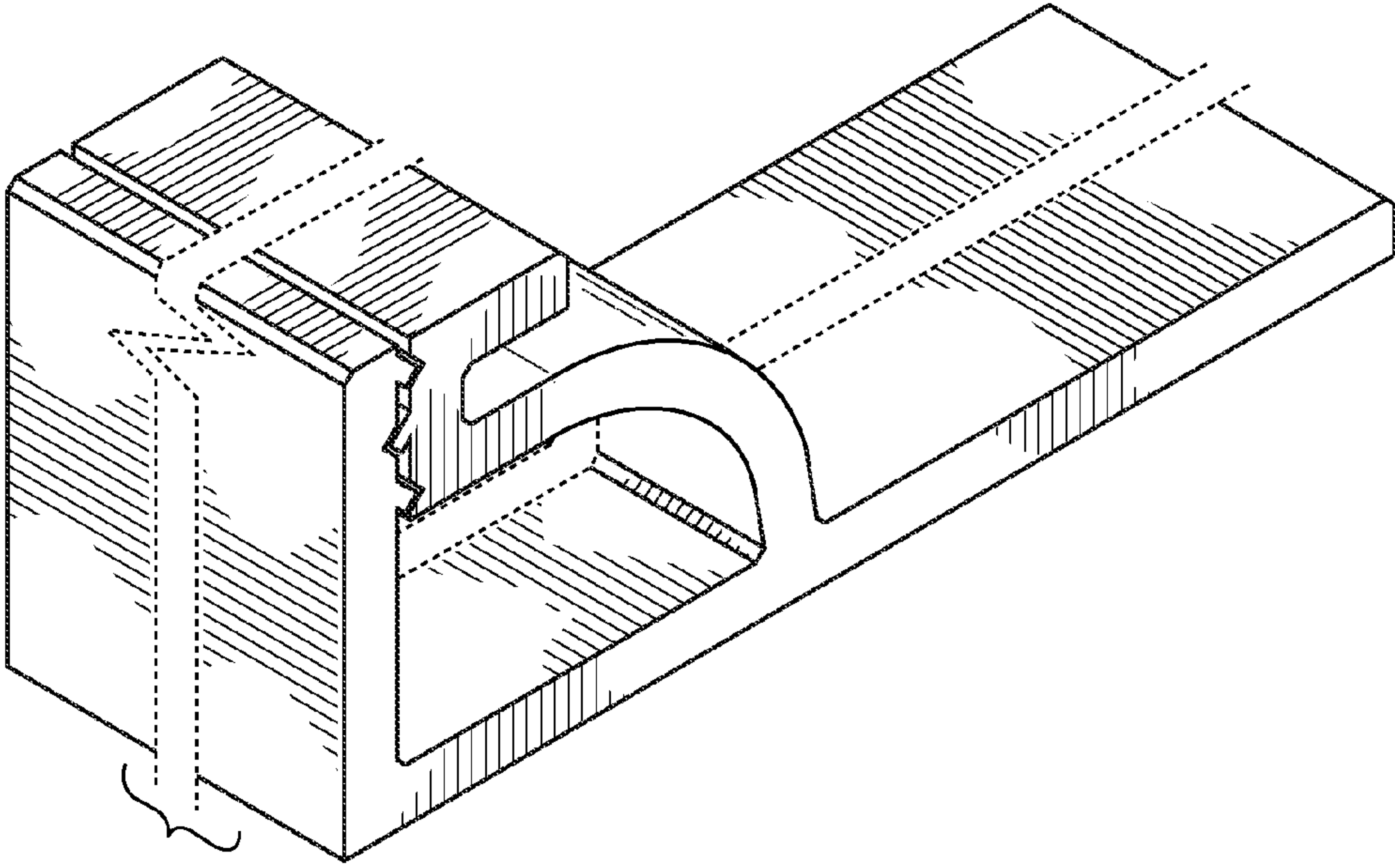


FIG. 1

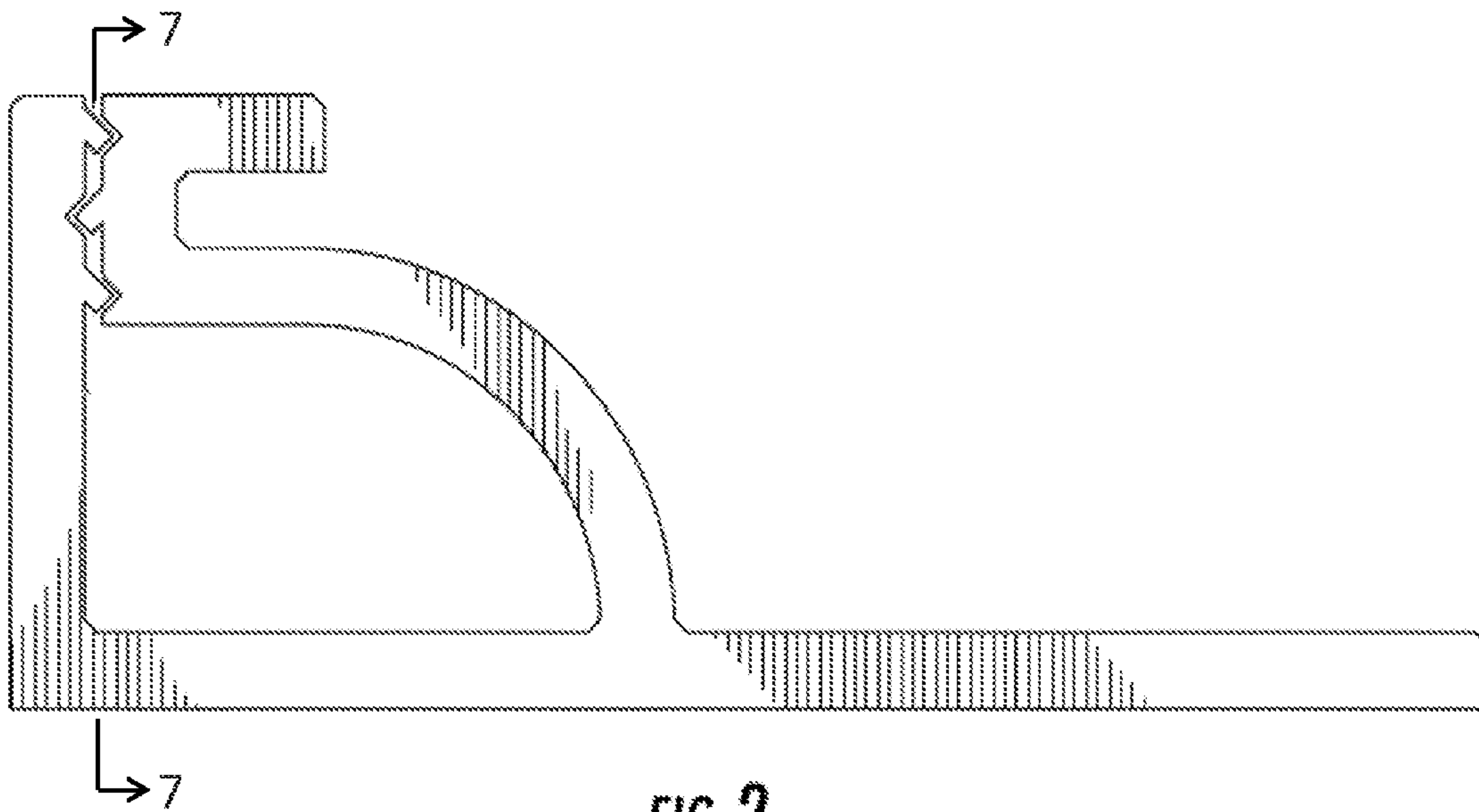


FIG. 2

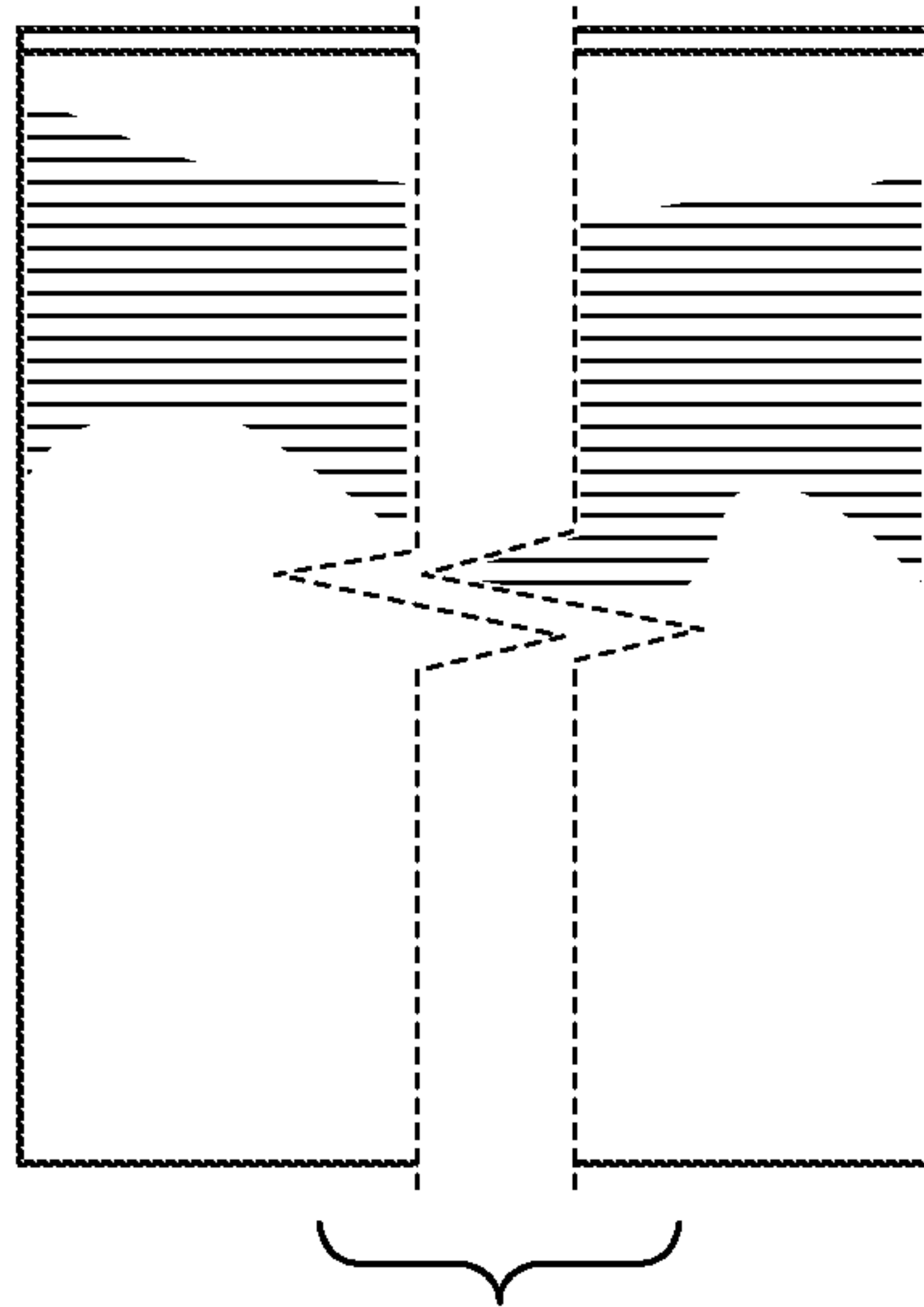


FIG. 3

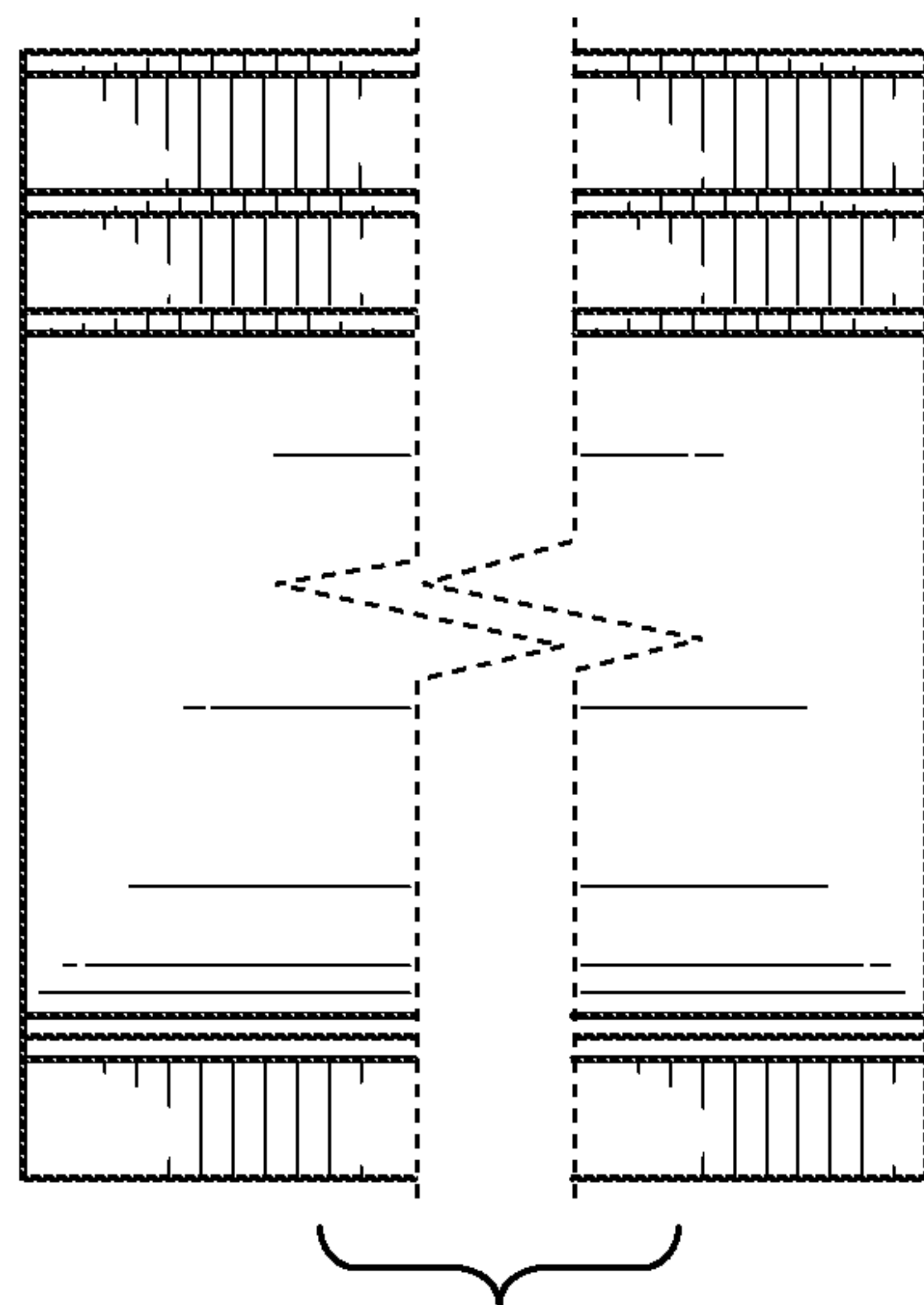


FIG. 4

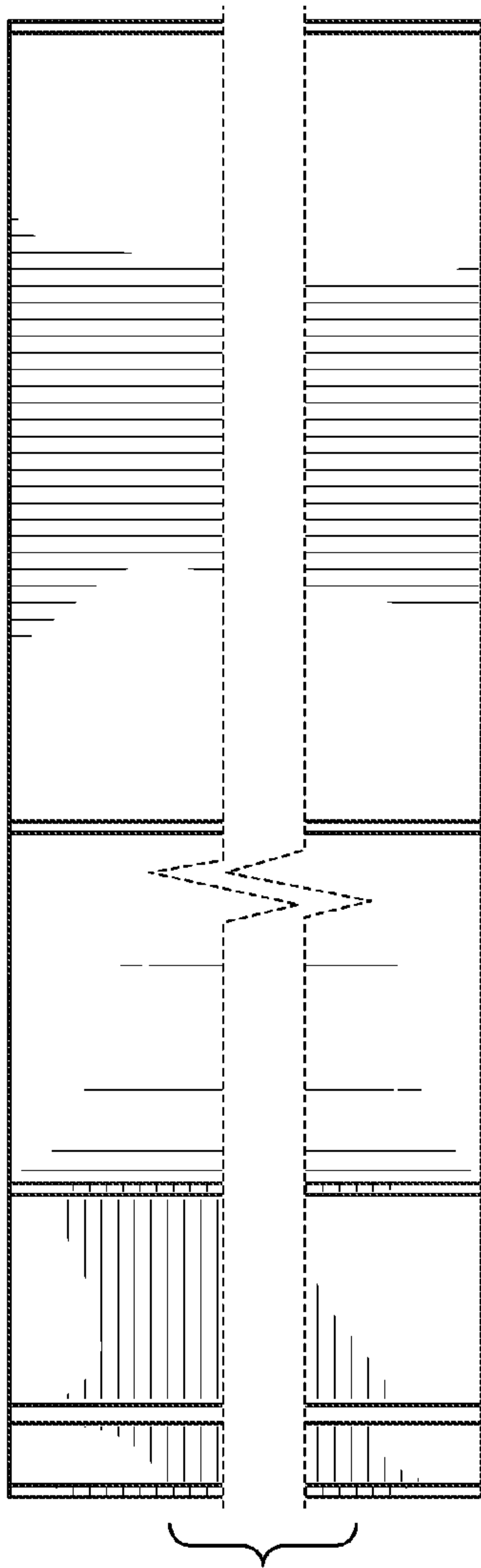


FIG. 5

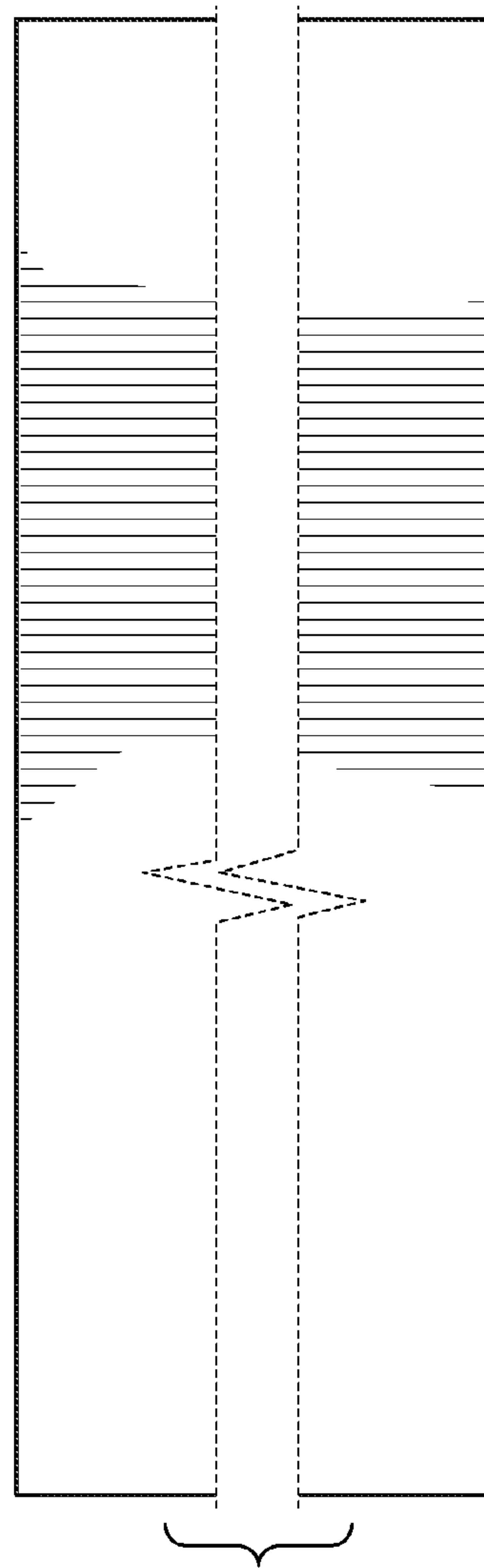


FIG. 6

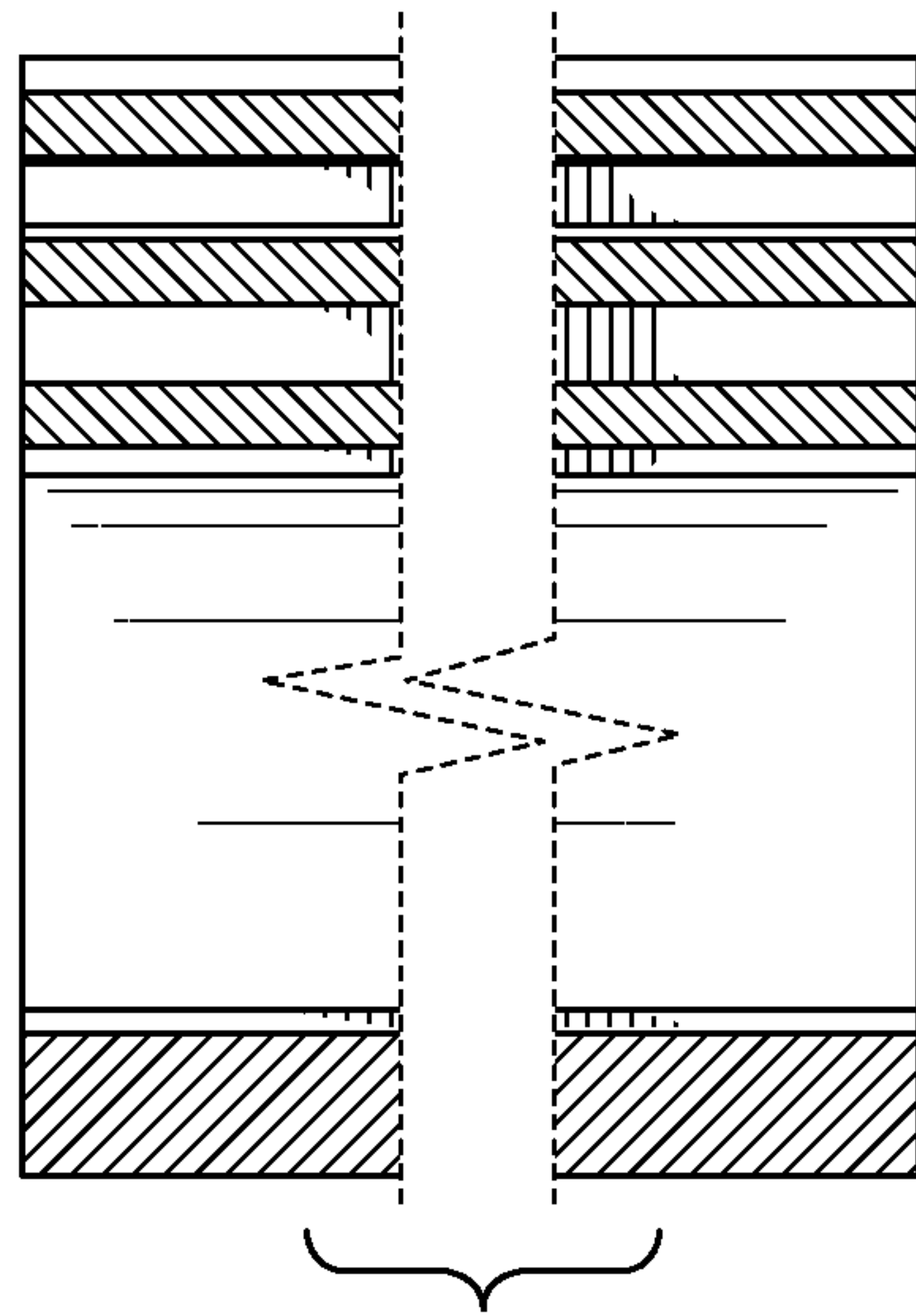


FIG. 7